



US00D748700S

(12) **United States Design Patent**
Velozny

(10) **Patent No.:** **US D748,700 S**
(45) **Date of Patent:** **** Feb. 2, 2016**

(54) **CONSTRUCTION DRILLING CUP**

(71) Applicant: **Nir Velozny**, Tel Aviv (IL)

(72) Inventor: **Nir Velozny**, Tel Aviv (IL)

(**) Term: **14 Years**

(21) Appl. No.: **29/491,848**

(22) Filed: **May 27, 2014**

(30) **Foreign Application Priority Data**

Nov. 27, 2013 (IL) 54819

(51) **LOC (10) Cl.** **15-09**

(52) **U.S. Cl.**
USPC **D15/139**; D15/133

(58) **Field of Classification Search**
USPC D15/21, 28, 139, 133; 144/23; 408/204,
408/1 R, 206, 25, 239 R
CPC B23B 31/113; B23B 31/10; B23B 31/107;
B23B 51/0473; B23B 51/04; B23B 51/0426;
B23B 51/0453; B23B 2260/068; B27B 5/12;
Y10T 408/8973; Y10T 408/04; Y10T 408/95;
Y10T 408/895; Y10T 83/768

See application file for complete search history.

(56) **References Cited**

U.S. PATENT DOCUMENTS

- 3,262,474 A * 7/1966 Enders B23B 31/113
144/23
- 4,072,441 A * 2/1978 LaPointe B23B 51/0426
144/23
- 4,101,238 A * 7/1978 Reibetanz B23B 51/042
408/204
- 4,669,928 A * 6/1987 Mediavilla B23B 51/044
408/204
- 5,316,416 A * 5/1994 Kim B24D 7/18
408/145
- D391,974 S * 3/1998 Brutscher D15/139
- 5,813,802 A * 9/1998 Ajimi B23B 51/0426
175/403
- D438,219 S * 2/2001 Brutscher D15/139

- 6,341,925 B1 * 1/2002 Despres B23B 51/0453
408/204
- 6,494,276 B1 * 12/2002 Hamilton E21B 10/02
175/320
- 6,588,992 B2 * 7/2003 Rudolph B23B 51/04
408/204
- 6,623,220 B2 * 9/2003 Nuss B23B 31/1071
279/75
- 6,705,807 B1 * 3/2004 Rudolph B23B 51/0426
279/143
- 6,786,684 B1 * 9/2004 Ecker B23B 51/0406
408/204
- 7,073,992 B2 * 7/2006 Korb B23B 31/008
408/204
- 7,131,506 B2 * 11/2006 Hamilton E21B 10/02
175/320
- D575,808 S * 8/2008 Zeiler D15/139
- 7,488,146 B2 * 2/2009 Brunson B23B 31/008
408/204
- D588,175 S * 3/2009 Morton D15/139
- 7,517,179 B2 * 4/2009 Miller B23B 31/06
192/93 C
- 7,637,703 B2 * 12/2009 Khangar B23B 51/0433
408/204
- D622,745 S * 8/2010 Pearce D15/139
- 7,824,137 B2 * 11/2010 Vasudeva B23B 31/008
206/379
- 7,934,893 B2 * 5/2011 Gillissen B23B 31/107
279/77

(Continued)

Primary Examiner — Mark Goodwin
(74) *Attorney, Agent, or Firm* — Perel- Intellectual Property
Law

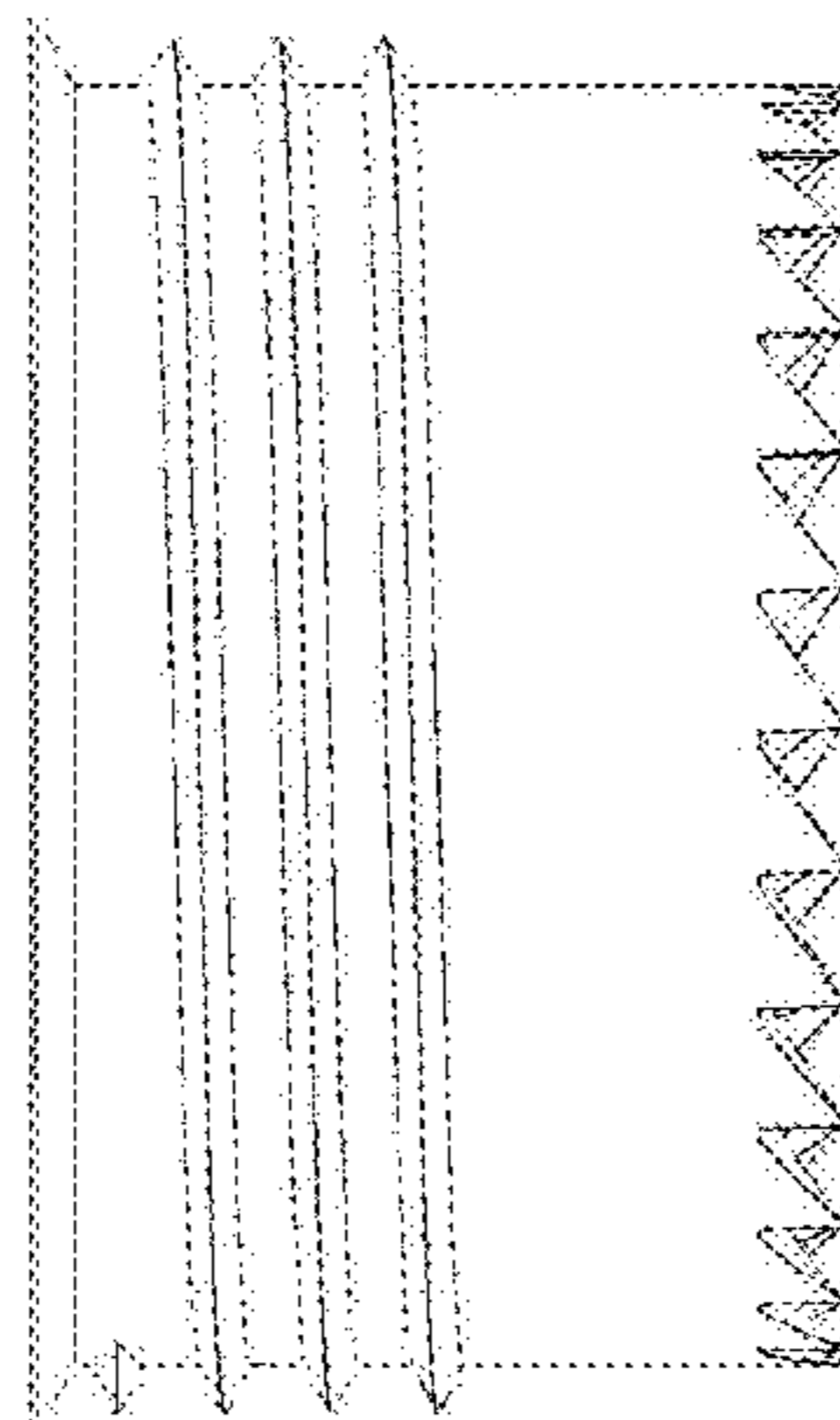
(57) **CLAIM**

The ornamental design for a construction drilling cup, as shown.

DESCRIPTION

FIG. 1 is a bottom view of a construction drilling cup showing my new design;
FIG. 2 is a top view thereof;
FIG. 3 is a side view thereof;
FIG. 4 is a front view thereof;
FIG. 5 is a back view thereof;
FIG. 6 is a perspective view thereof; and,
FIG. 7 is a perspective view thereof.

1 Claim, 7 Drawing Sheets



(56)

References Cited

U.S. PATENT DOCUMENTS

7,938,600 B1 *	5/2011	Griep	B23B 51/044 408/1 R	8,434,976 B2 *	5/2013	Kelleher	B23B 51/0473 279/141
8,123,443 B2 *	2/2012	Khangar	B23B 51/0433 408/204	8,444,353 B2 *	5/2013	Khangar	B23B 51/0433 408/204
D664,574 S *	7/2012	Burke, III	D15/139	D683,772 S *	6/2013	Wang	D15/139
8,221,037 B2 *	7/2012	Neitzell	B23B 51/0426 408/1 R	D690,334 S *	9/2013	Zielonka	D15/139
8,328,474 B2 *	12/2012	Pangerc	B23B 51/0473 408/1 R	8,579,555 B2 *	11/2013	Novak	B23B 51/0453 408/204
8,328,476 B2 *	12/2012	O'Keefe	B23B 51/0473 408/204	D706,845 S *	6/2014	Richter	D15/139
8,328,477 B2 *	12/2012	Allen	B23B 51/0413 408/213	D707,332 S *	6/2014	Witkowski	D23/249
8,366,356 B2 *	2/2013	Novak	B23B 51/0473 408/204	D708,650 S *	7/2014	Richter	D15/139
				8,794,881 B2 *	8/2014	Zurn	B23B 31/1075 175/403
				8,827,604 B1 *	9/2014	Corey	B23B 51/0426 408/204
				D717,351 S *	11/2014	Burca	D15/139
				2008/0260480 A1 *	10/2008	Keightley	B23B 1/0426 408/204

* cited by examiner

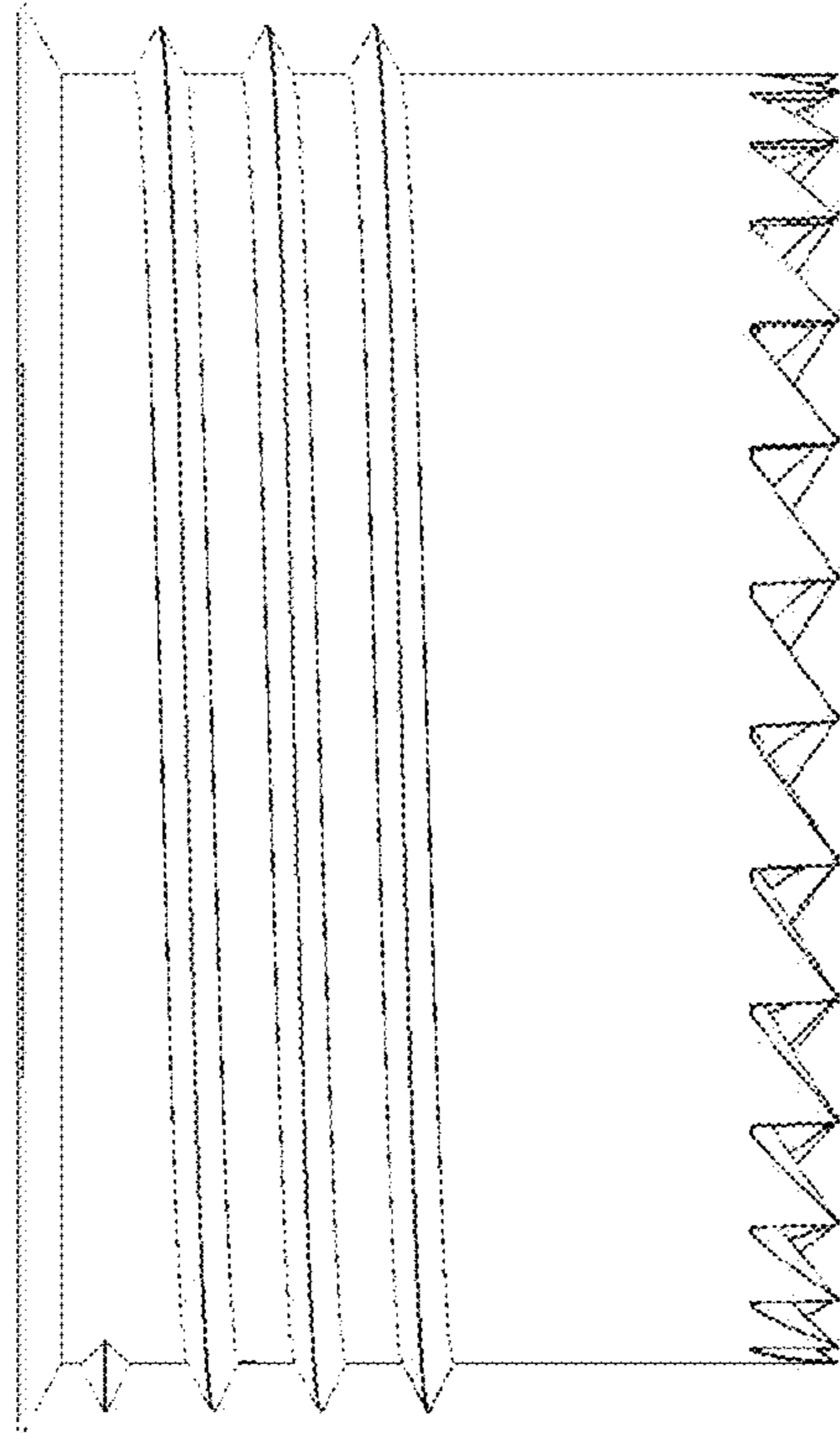


FIG. 1

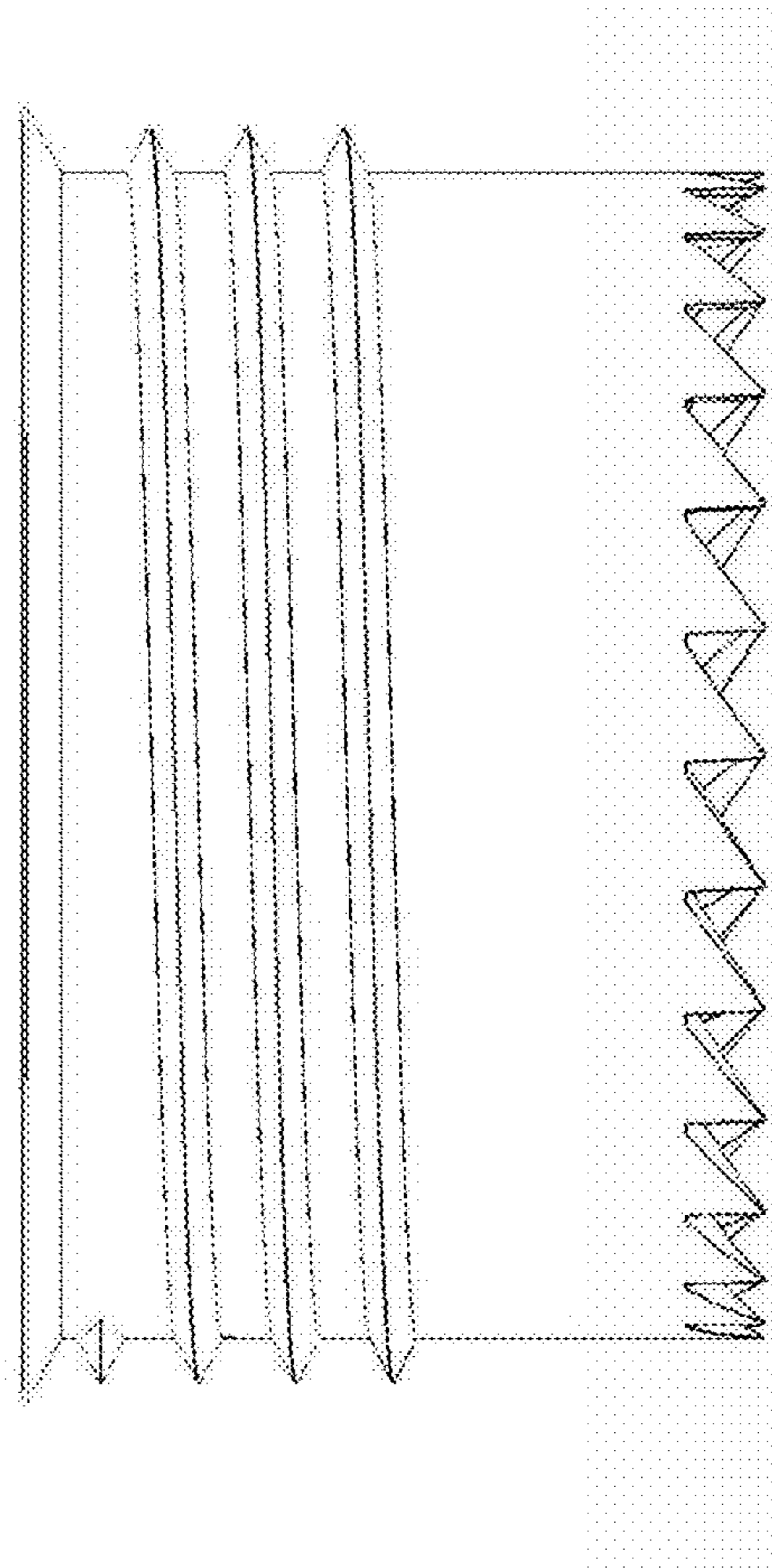


FIG. 2

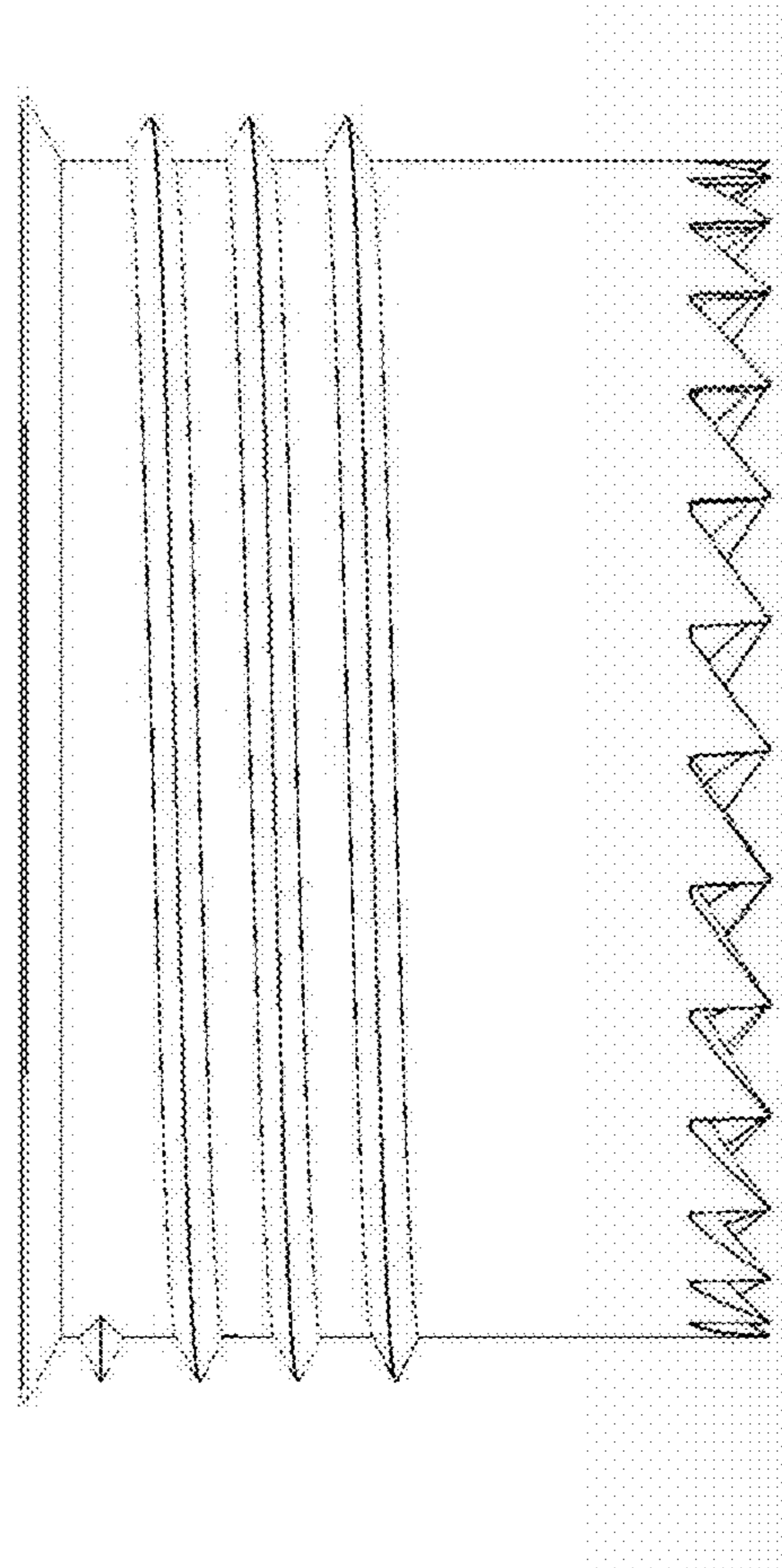


FIG. 3

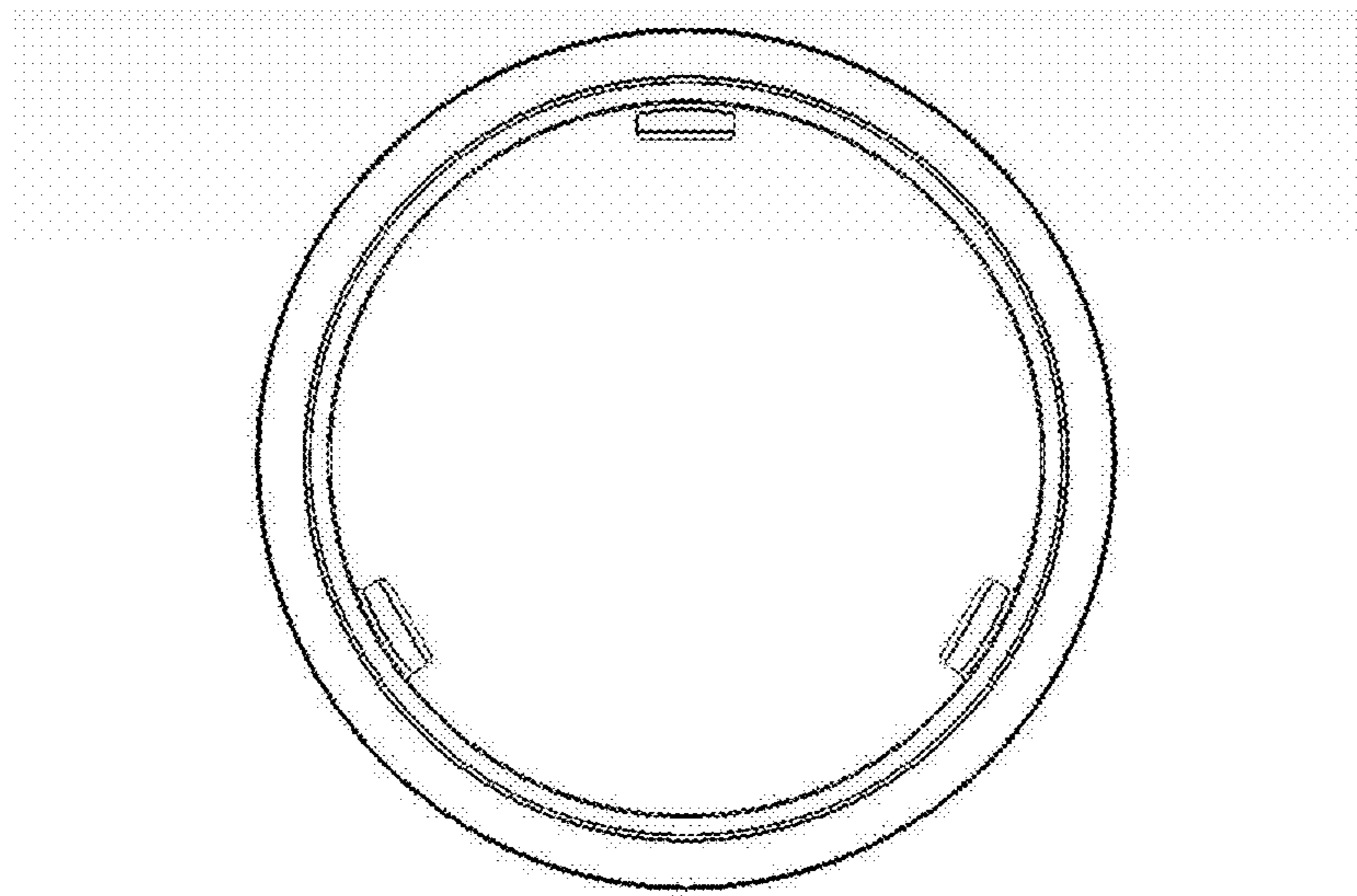


FIG. 4

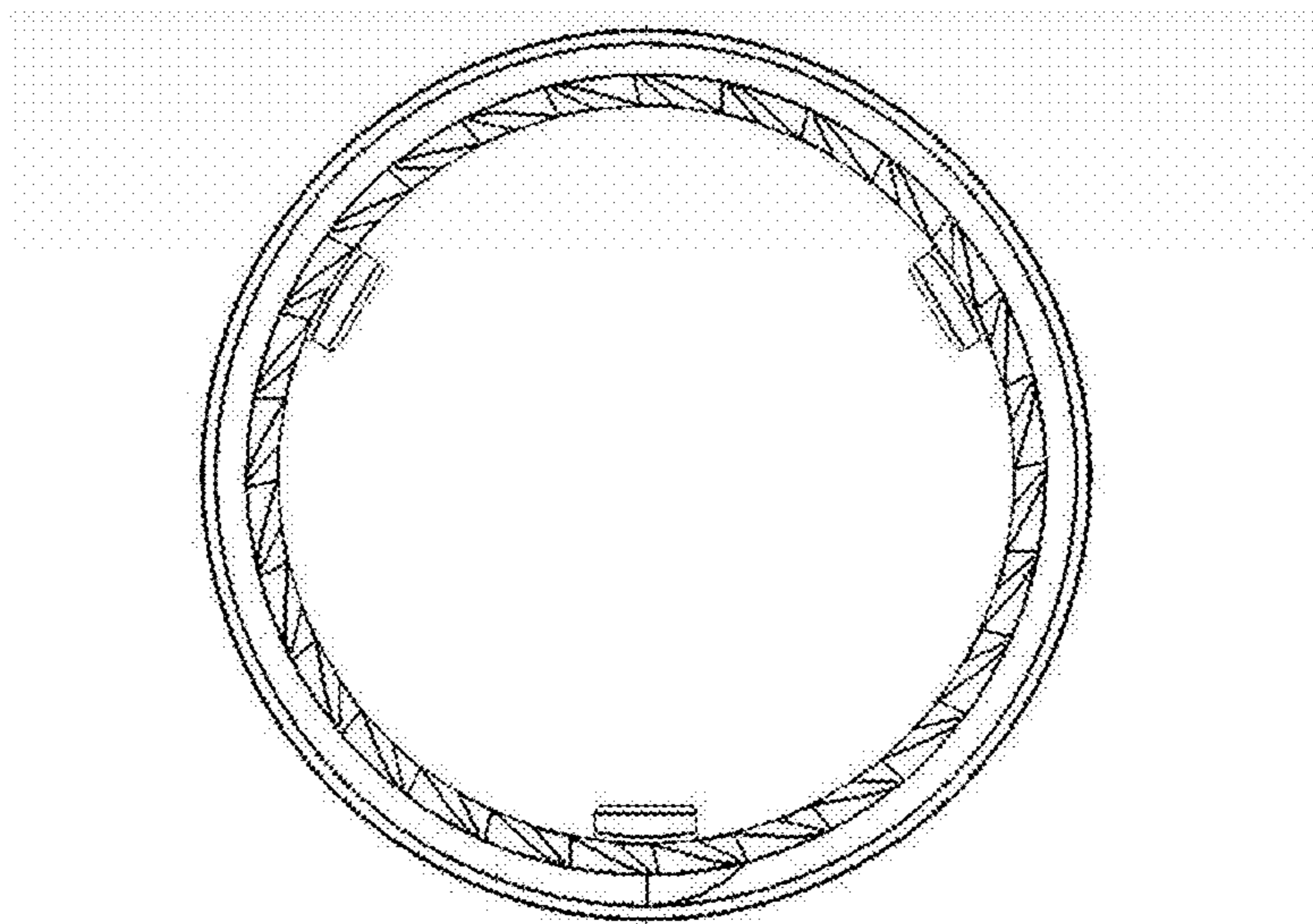


FIG. 5

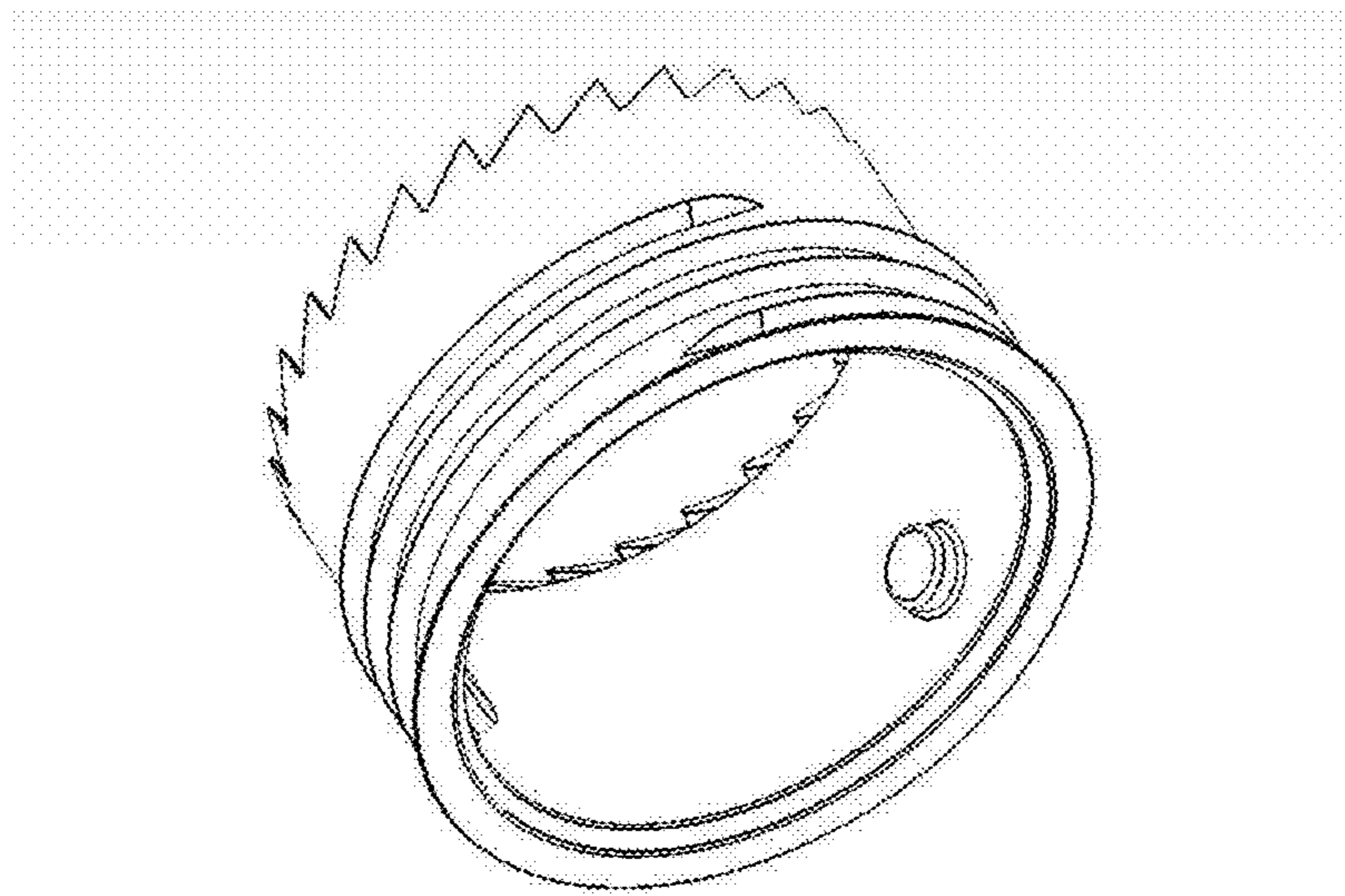


FIG. 6

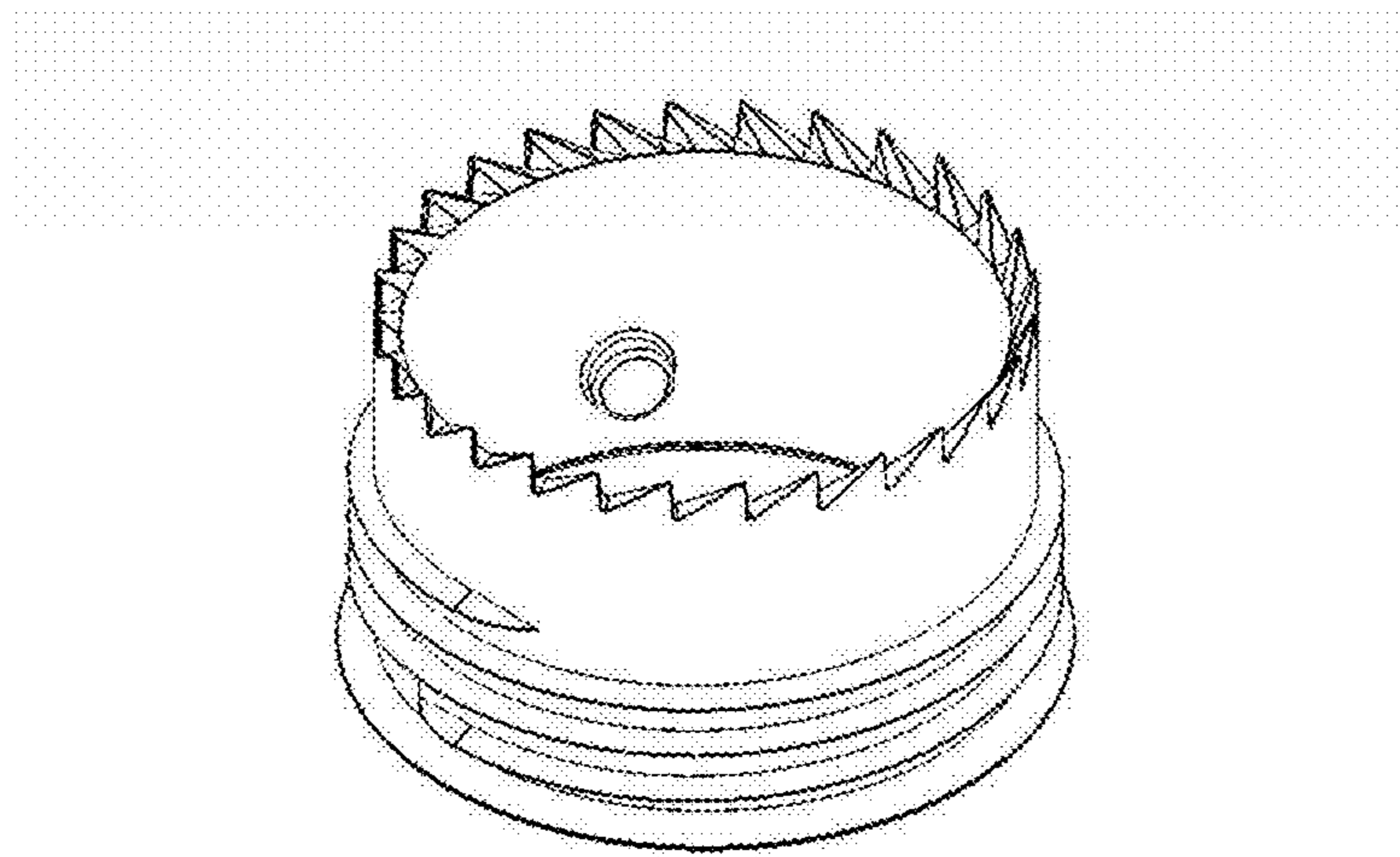


FIG. 7