



US00D748699S

(12) **United States Design Patent**  
**Moherman et al.**

(10) **Patent No.:** **US D748,699 S**  
(45) **Date of Patent:** **\*\* Feb. 2, 2016**

(54) **TOOL FACE**

(71) Applicant: **Ridge Tool Company**, Elyria, OH (US)

(72) Inventors: **Brandon Moherman**, Lakewood, OH (US); **Robert Skrjanc**, Lorain, OH (US); **James E. Hamm**, Grafton, OH (US)

(73) Assignee: **RIDGE TOOL COMPANY**, Elyria, OH (US)

(\*\*) Term: **14 Years**

(21) Appl. No.: **29/499,935**

(22) Filed: **Aug. 20, 2014**

**Related U.S. Application Data**

(63) Continuation-in-part of application No. 14/452,646, filed on Aug. 6, 2014.

**Foreign Application Priority Data**

Mar. 12, 2014 (IN) ..... 1301/CHE/2014

(51) **LOC (10) Cl.** ..... **15-09**

(52) **U.S. Cl.**  
USPC ..... **D15/138**

(58) **Field of Classification Search**  
USPC ..... D15/124-134, 138-143, 28-29, 9, 17, D15/122, 123; D10/64, 65; D8/70, 8, 66, D8/16, 23, 52, 60; D7/412; 82/113; 83/471.3  
CPC ..... B23D 45/044-45/048; B21D 17/04; B23K 7/006; B23B 5/162; B23B 5/163; Y10T 82/22

See application file for complete search history.

(56) **References Cited**

U.S. PATENT DOCUMENTS

622,548	A *	4/1899	Sherman	82/128
1,932,462	A	10/1933	Howlett	
2,291,395	A	7/1942	Levey	
2,561,484	A	7/1951	Shaw et al.	
D175,096	S *	7/1955	Tomarin	D15/123
2,842,238	A	7/1958	Shaw et al.	
2,870,536	A *	1/1959	Lutsker	30/102
3,088,352	A	5/1963	Tanner	
3,164,062	A	1/1965	Hogden et al.	
3,265,379	A	8/1966	Mighton	
3,386,337	A	6/1968	Spier	

(Continued)

*Primary Examiner* — Susan Bennett Hattan

*Assistant Examiner* — Brett Miller

(74) *Attorney, Agent, or Firm* — Mark E. Bandy; Rankin, Hill & Clark LLP

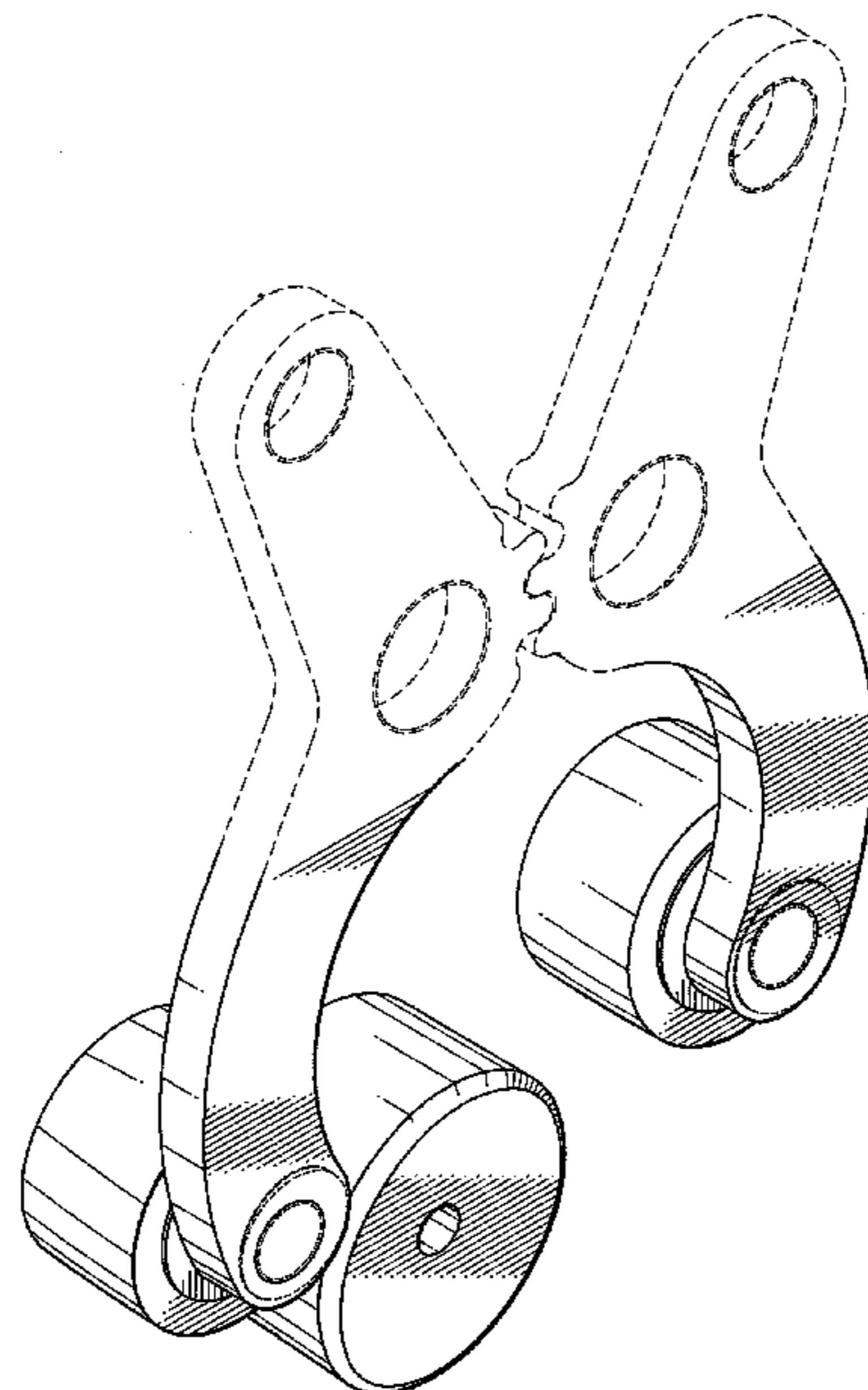
(57) **CLAIM**

The ornamental design for a tool face, as shown and described.

**DESCRIPTION**

FIG. 1 is a front left perspective view of a tool face. FIG. 2 is a left side view of the tool face of FIG. 1. FIG. 3 is a right side view of the tool face of FIG. 1. FIG. 4 is a front elevational view of the tool face of FIG. 1. FIG. 5 is a rear elevational view of the tool face of FIG. 1. FIG. 6 is a top plan view of the tool face of FIG. 1. FIG. 7 is a bottom plan view of the tool face of FIG. 1; and, FIG. 8 is a front elevational view of the tool face of FIGS. 1-7 illustrating a possible use. The dashed lines in FIGS. 1-8 are for illustrative purposes only showing environmental subject matter and form no part of the claimed design.

**1 Claim, 8 Drawing Sheets**



(56)

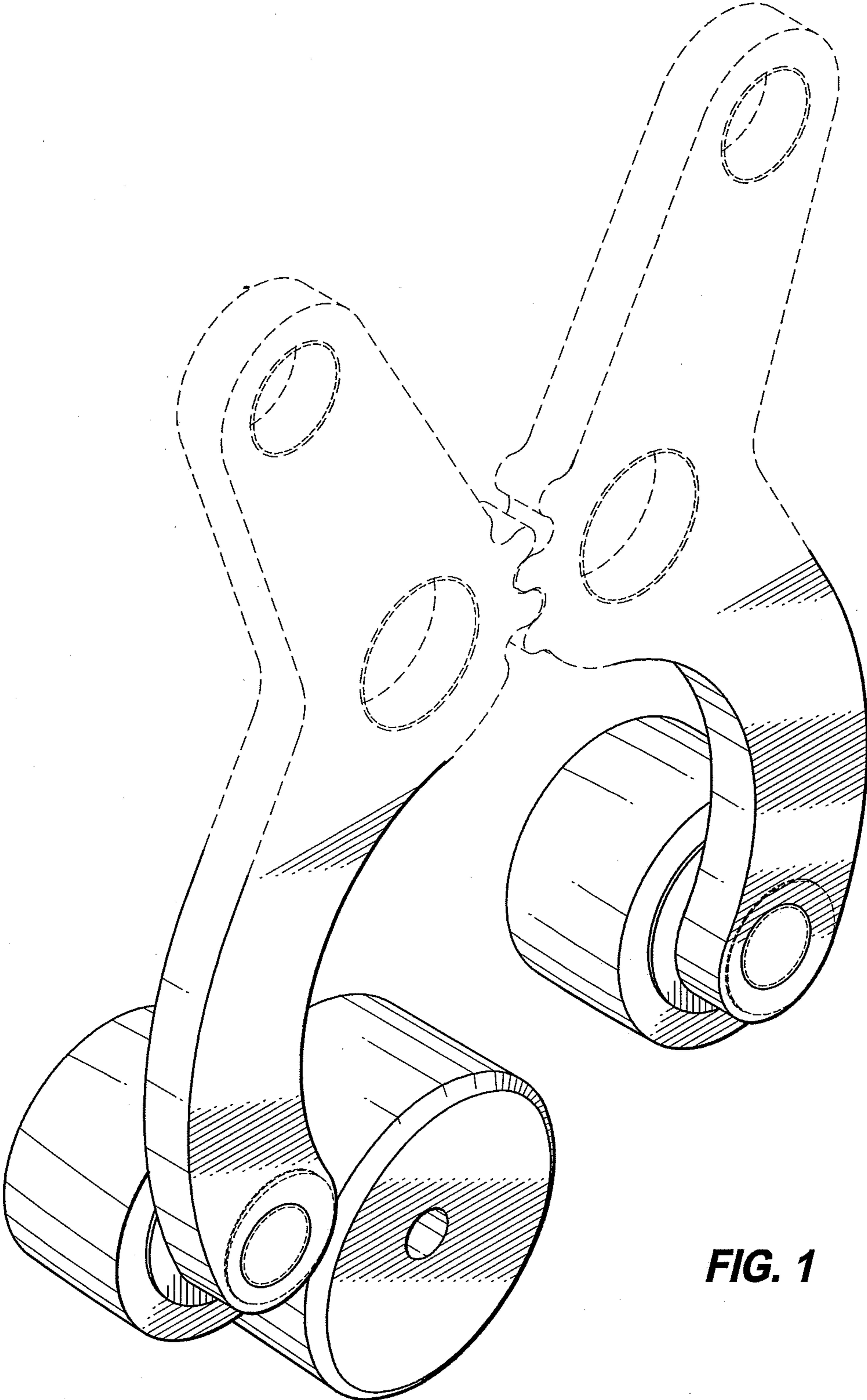
References Cited

U.S. PATENT DOCUMENTS

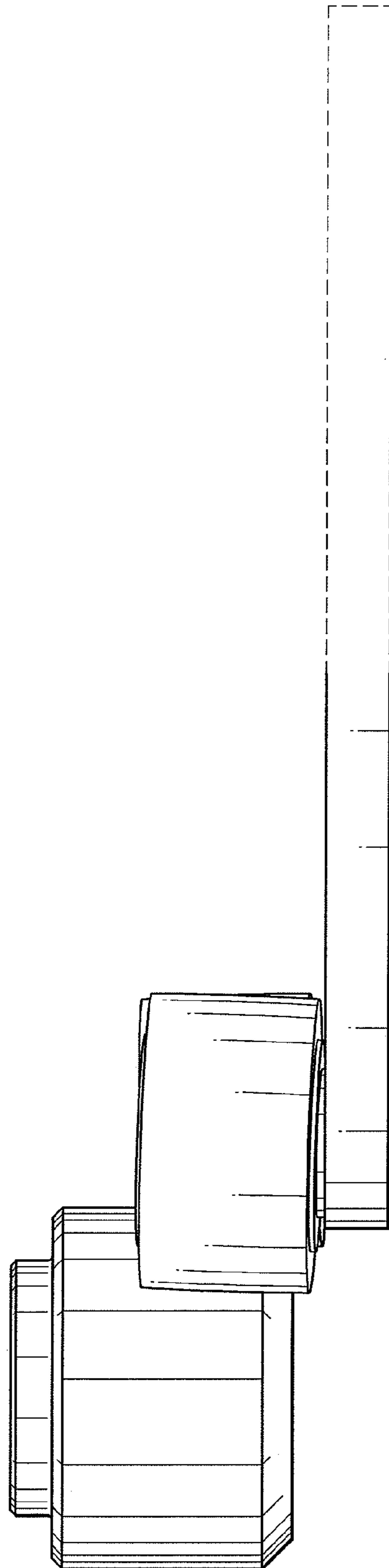
3,501,872 A 3/1970 Harter  
 3,541,826 A 11/1970 Halliburton  
 3,699,828 A 10/1972 Piatek et al.  
 3,712,174 A 1/1973 Granfield  
 3,744,356 A 7/1973 Slator et al.  
 3,850,058 A 11/1974 Bachmann  
 3,951,018 A 4/1976 Gilmore  
 3,995,466 A 12/1976 Kunsman  
 4,144,733 A 3/1979 Whitten  
 4,180,358 A 12/1979 Uribe  
 4,207,786 A 6/1980 Astle et al.  
 4,418,591 A 12/1983 Astle  
 4,490,909 A 1/1985 Wachs et al.  
 4,531,839 A \* 7/1985 Cunisse et al. .... D15/122  
 4,625,464 A 12/1986 Kubo  
 4,633,621 A 1/1987 Weber  
 4,682,919 A \* 7/1987 Mitchell ..... 82/113  
 4,689,883 A 9/1987 Dent  
 4,739,682 A \* 4/1988 Birkestrand ..... 82/113  
 D345,742 S \* 4/1994 Adleman et al. .... D15/123  
 5,393,176 A 2/1995 Waring  
 5,515,756 A 5/1996 Sandford et al.  
 5,528,919 A 6/1996 McGrady et al.

5,605,083 A \* 2/1997 Lupke et al. .... 82/113  
 5,641,253 A 6/1997 Wagner  
 5,961,382 A 10/1999 Stoloski  
 D427,212 S \* 6/2000 Ricci et al. .... D15/130  
 6,079,302 A 6/2000 Gudleske  
 6,129,488 A 10/2000 Fahr  
 6,146,067 A 11/2000 Owens  
 6,202,522 B1 3/2001 Tremblay  
 6,279,437 B1 8/2001 Way  
 6,536,316 B2 3/2003 Strait et al.  
 6,993,949 B2 2/2006 Dole  
 7,082,656 B1 8/2006 Duncan et al.  
 7,103,950 B1 9/2006 Scheffer  
 7,270,505 B2 9/2007 VanderPol et al.  
 7,549,359 B2 \* 6/2009 Hennessey et al. .... 82/113  
 7,578,643 B1 8/2009 Karow  
 8,297,157 B1 10/2012 Miller  
 8,302,514 B2 11/2012 Dole et al.  
 D732,362 S \* 6/2015 Nagaki ..... D8/52  
 2004/0096287 A1 5/2004 Woodrum  
 2004/0206218 A1 10/2004 Nybo  
 2008/0005907 A1 1/2008 Scheffer  
 2009/0235532 A1 9/2009 Stratford-Smith  
 2013/0055862 A1 \* 3/2013 Kundracik et al. .... 82/113  
 2015/0040731 A1 \* 2/2015 Moherman et al. .... 82/113

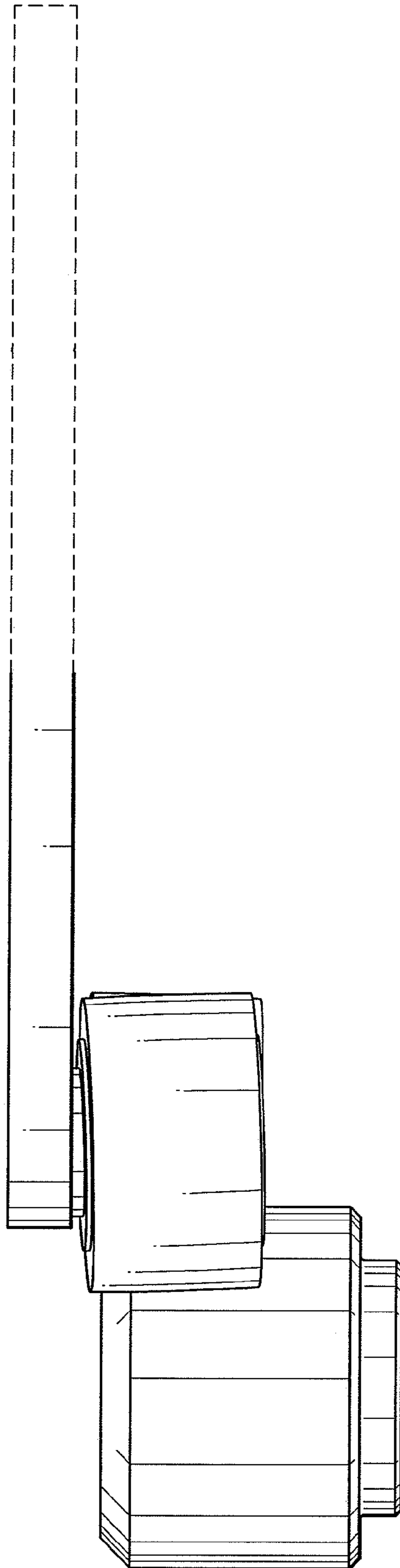
\* cited by examiner



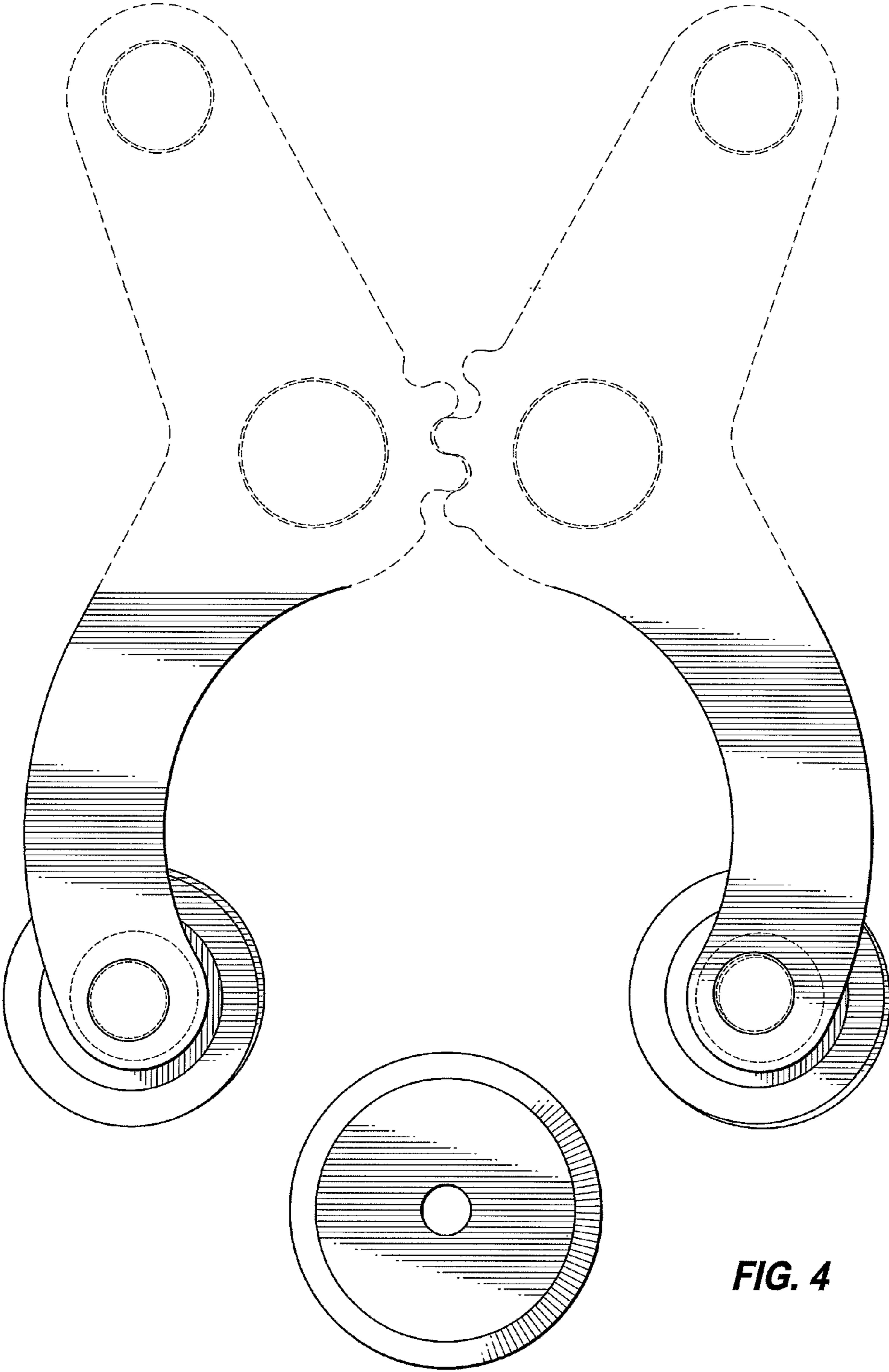
**FIG. 1**



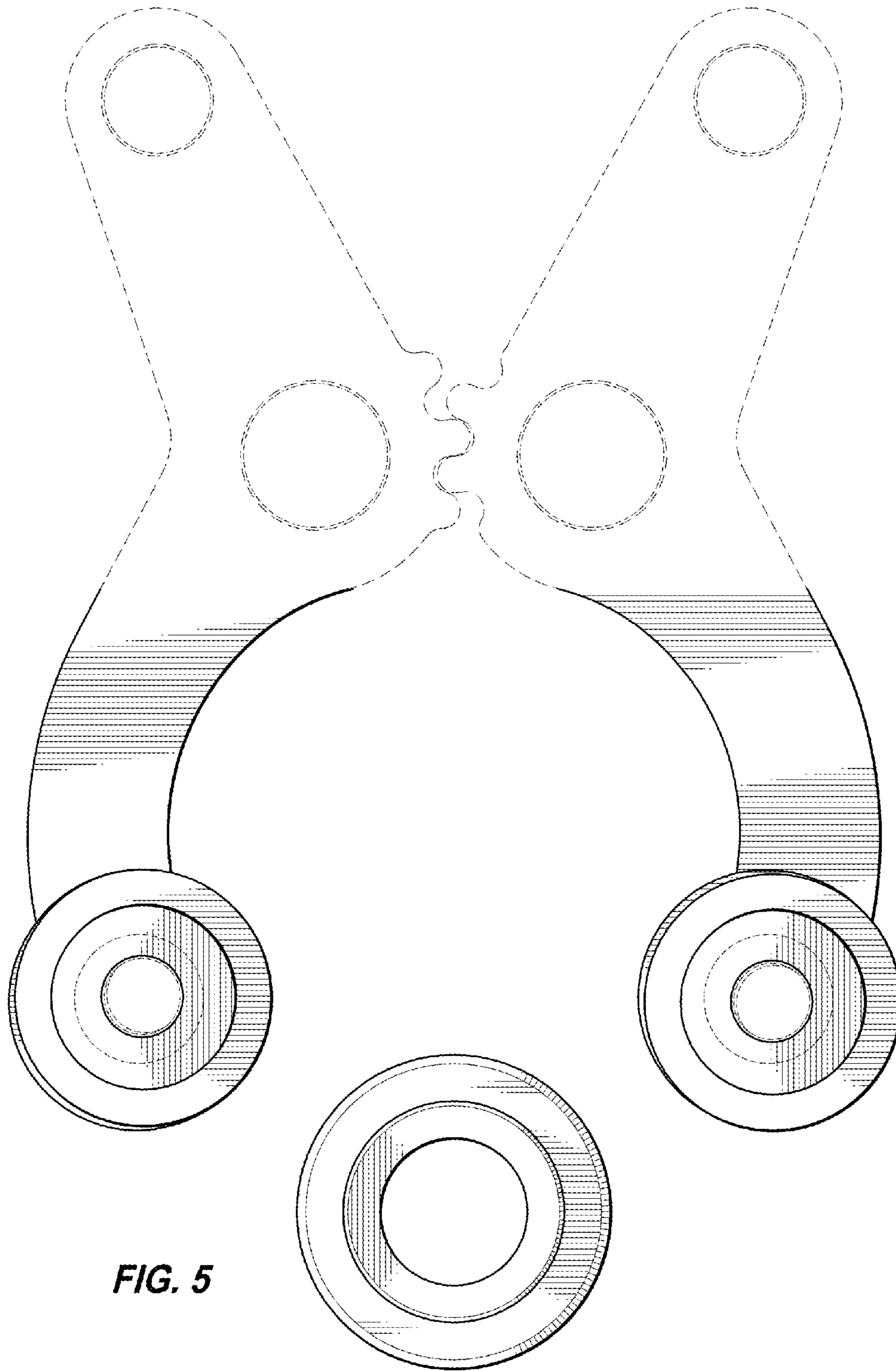
**FIG. 2**



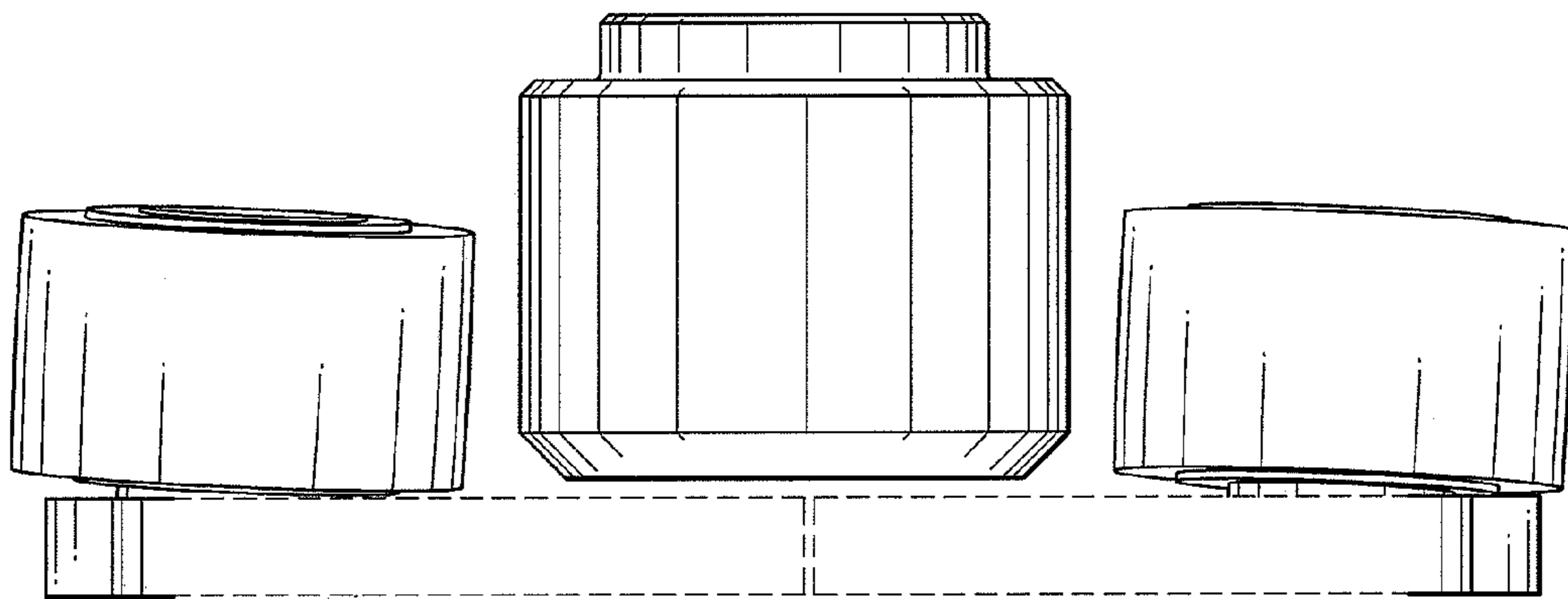
**FIG. 3**



**FIG. 4**

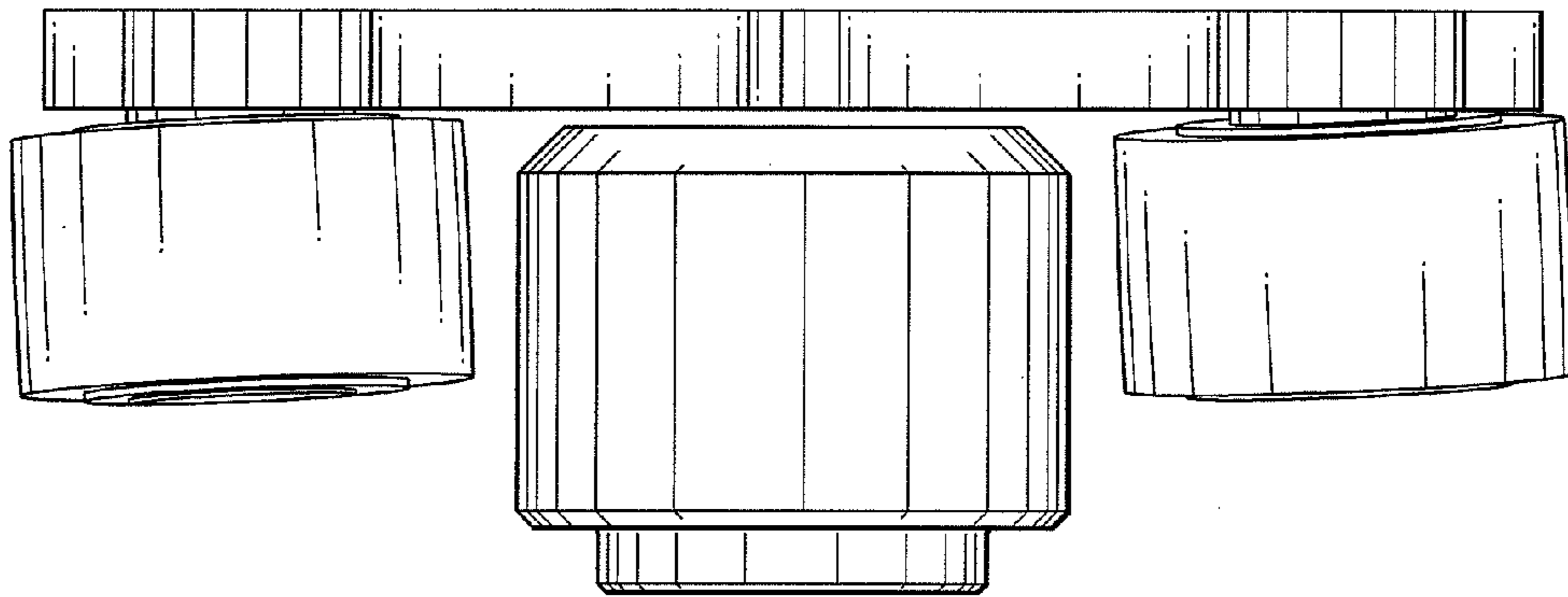


**FIG. 5**

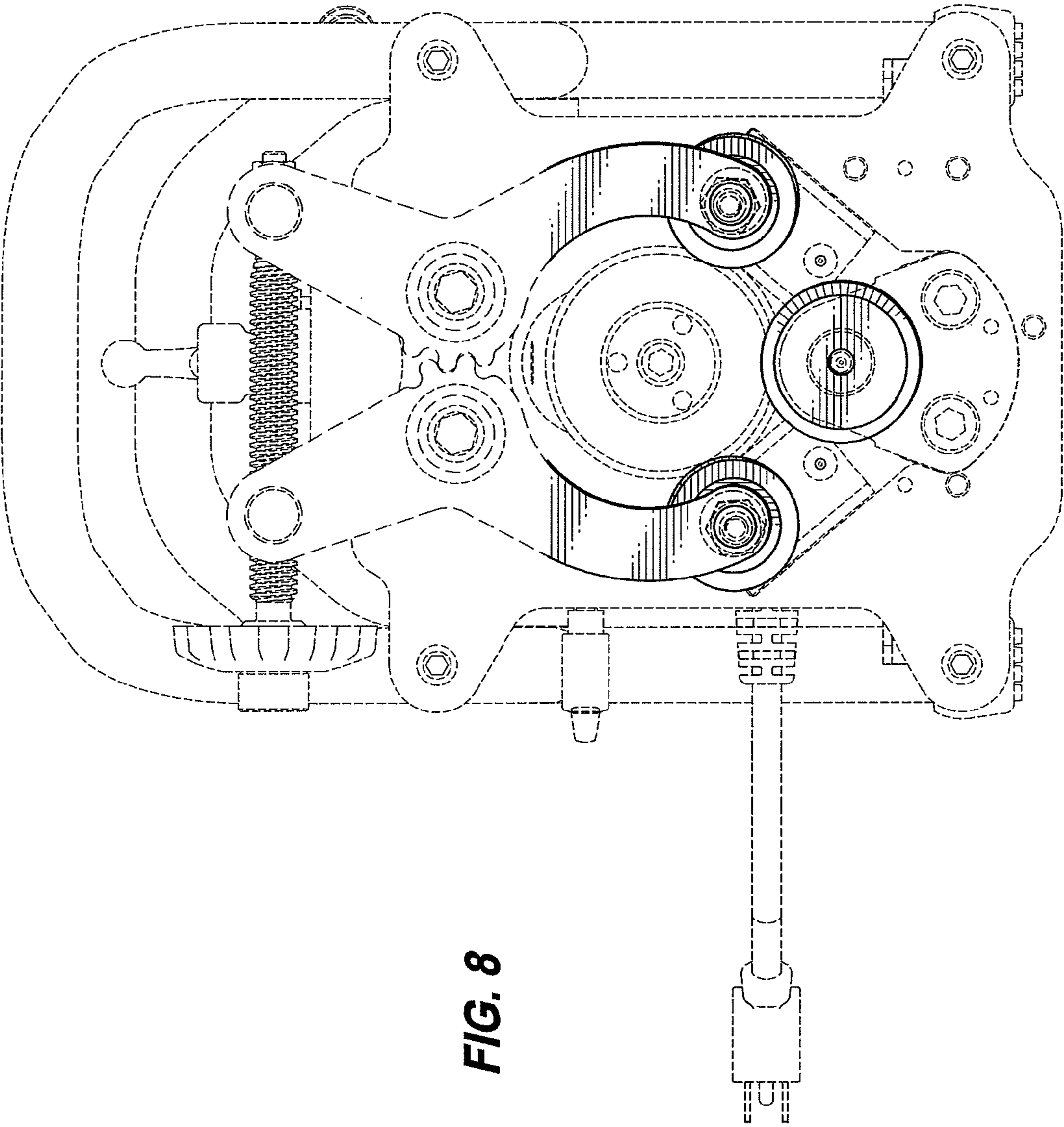


**FIG. 6**





**FIG. 7**



**FIG. 8**