



US00D748696S

(12) **United States Design Patent**  
**Lee et al.**

(10) **Patent No.:** **US D748,696 S**  
(45) **Date of Patent:** **\*\* Feb. 2, 2016**

(54) **ELECTRICAL DISCHARGE MACHINE**

(71) Applicant: **mitsubishi electric CORPORATION**, Tokyo (JP)

(72) Inventors: **Hongkue Lee**, Tokyo (JP); **Takanori Miyake**, Tokyo (JP); **Hiroichiro Shimano**, Tokyo (JP); **Shinichi Kato**, Tokyo (JP); **Yuki Mizushi**, Tokyo (JP)

(73) Assignee: **Mitsubishi Electric Corporation**, Tokyo (JP)

(\*\*) Term: **15 Years**

(21) Appl. No.: **29/531,604**

(22) Filed: **Jun. 26, 2015**

**Related U.S. Application Data**

(62) Division of application No. 29/513,497, filed on Dec. 31, 2014.

(30) **Foreign Application Priority Data**

Jul. 17, 2014 (JP) ..... 2014-015645  
Jul. 17, 2014 (JP) ..... 2014-015647

(51) **LOC (10) Cl.** ..... **15-09**

(52) **U.S. Cl.**  
USPC ..... **D15/127; D15/122**

(58) **Field of Classification Search**  
USPC ..... **D15/122, 127**  
See application file for complete search history.

(56) **References Cited**

**U.S. PATENT DOCUMENTS**

4,367,129 A \* 1/1983 Inoue ..... 205/665  
5,175,408 A \* 12/1992 Takashima ..... 219/69.14  
D347,013 S \* 5/1994 Taguchi et al. .... D15/145

D388,103 S \* 12/1997 Gotou et al. .... D15/127  
D415,175 S \* 10/1999 Lin ..... D15/127  
D427,614 S \* 7/2000 Miyake et al. .... D15/127  
D428,025 S \* 7/2000 Miyake et al. .... D15/127  
6,246,024 B1 \* 6/2001 Hosaka ..... 219/69.12  
6,396,022 B1 \* 5/2002 Suzuki ..... 219/69.15  
D510,942 S \* 10/2005 Kuriki et al. .... D15/127  
D542,311 S \* 5/2007 Inaba et al. .... D15/127  
D544,003 S \* 6/2007 Inaba et al. .... D15/127  
D551,268 S \* 9/2007 Iwamoto et al. .... D15/127  
D668,277 S \* 10/2012 Miyake et al. .... D15/127  
D716,857 S \* 11/2014 Shimano et al. .... D15/127

\* cited by examiner

*Primary Examiner* — Patricia Palasik

(74) *Attorney, Agent, or Firm* — Studebaker & Brackett PC

(57) **CLAIM**

The ornamental design for an electrical discharge machine, as shown and described.

**DESCRIPTION**

FIG. 1 is a perspective view of the front, right, and top side of a electrical discharge machine showing an embodiment of our new design;

FIG. 2 is a front view thereof;

FIG. 3 is a rear view thereof;

FIG. 4 is a left side view thereof;

FIG. 5 is a right side view thereof;

FIG. 6 is a top plan view thereof;

FIG. 7 is a bottom view thereof;

FIG. 8 is a reference front view in a state where a work tank door is put down; and,

FIG. 9 is a reference front view in a state where a safety door is raised up.

The broken lines shown represent unclaimed subject matter of an electrical discharge machine and form no part of the claimed design.

**1 Claim, 9 Drawing Sheets**

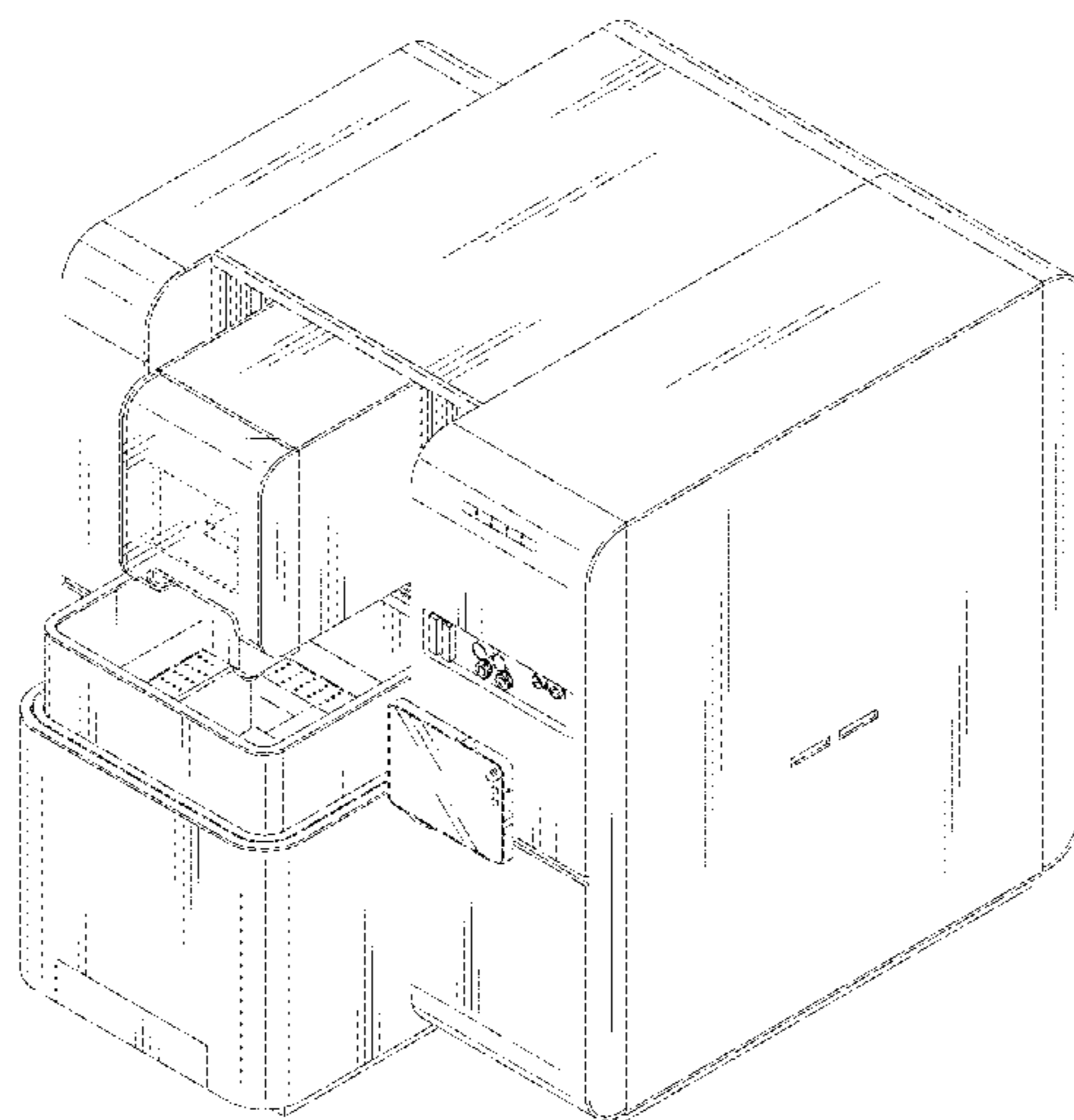


Fig. 1

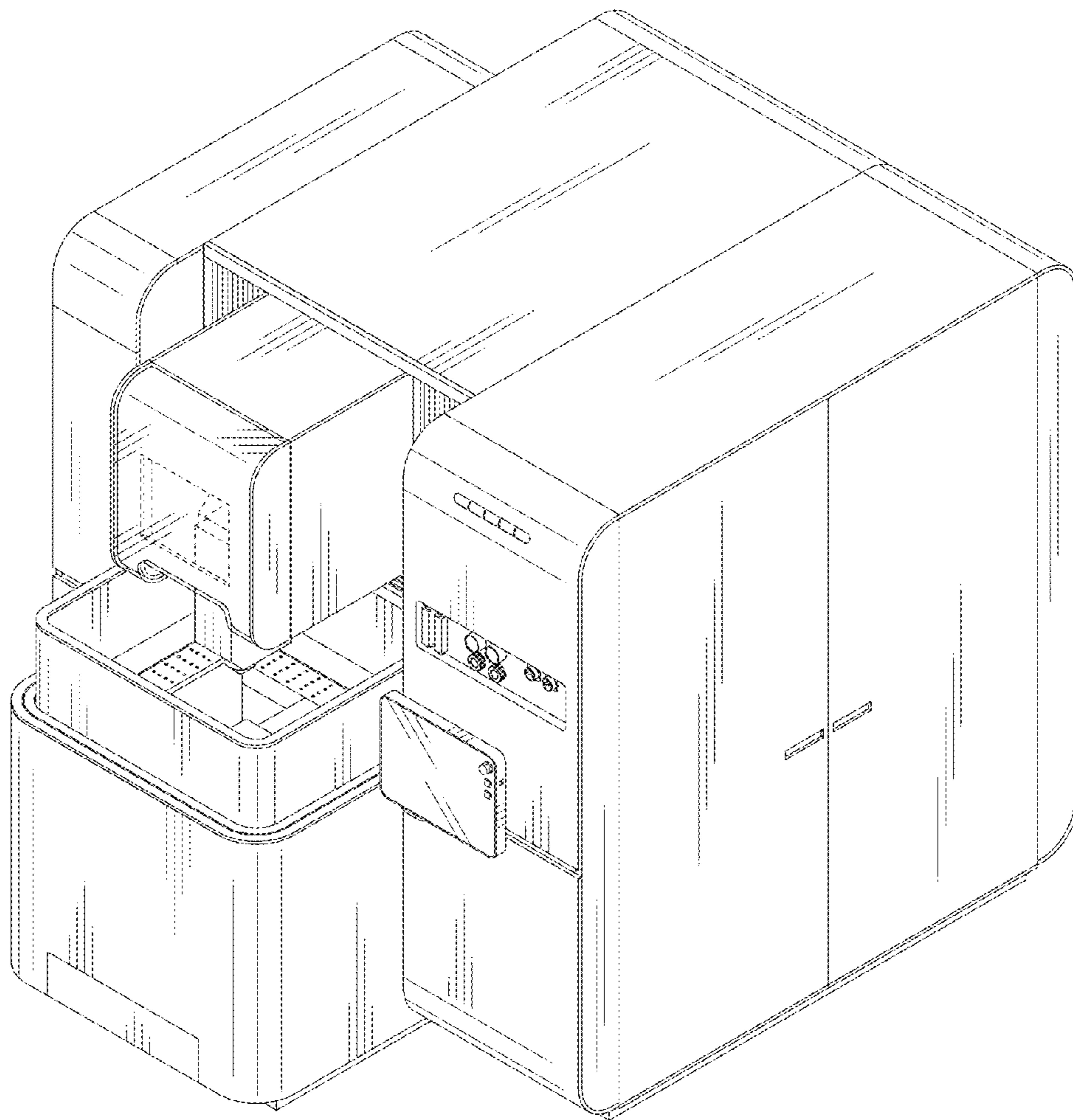


Fig. 2

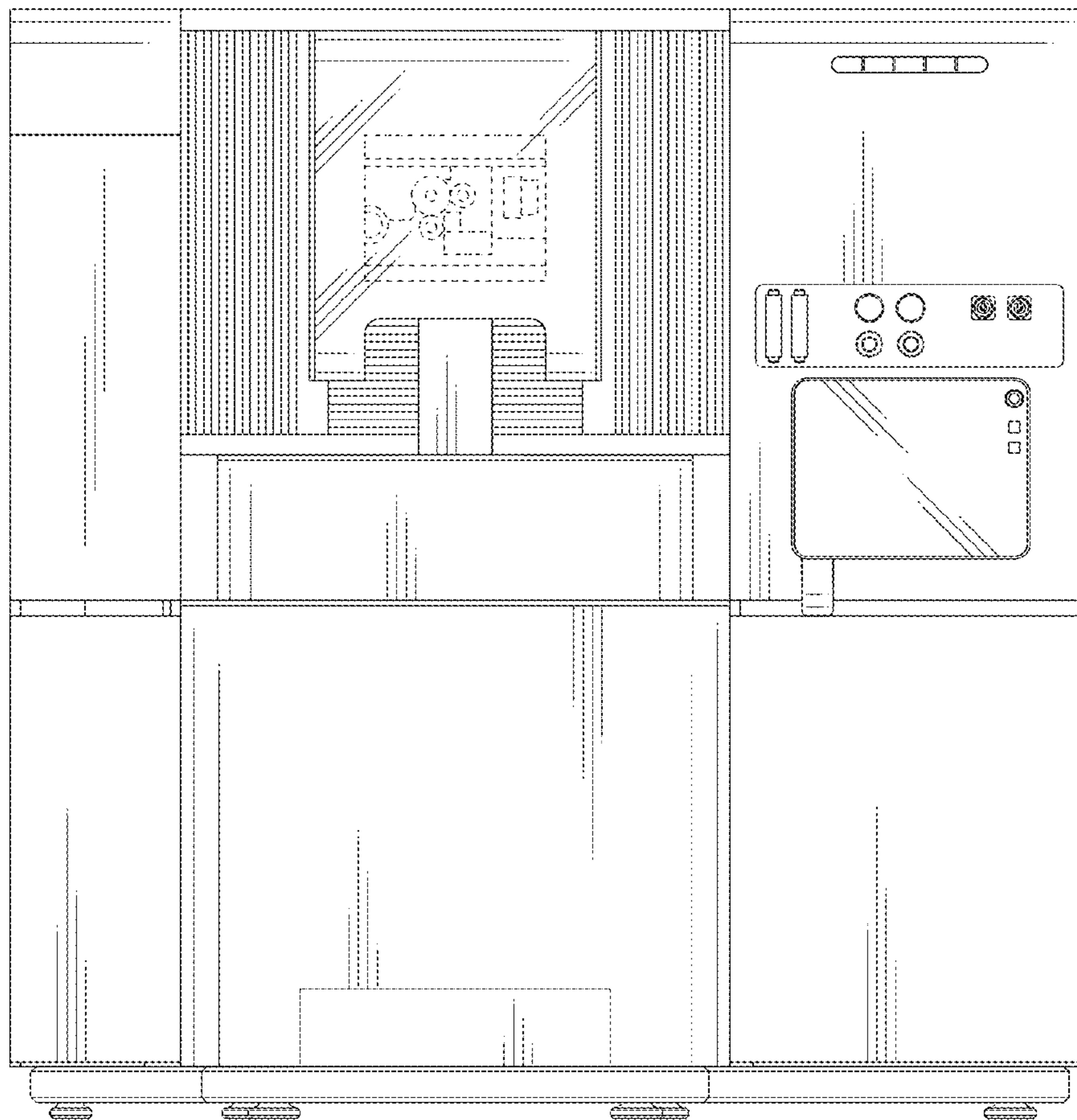


Fig. 3

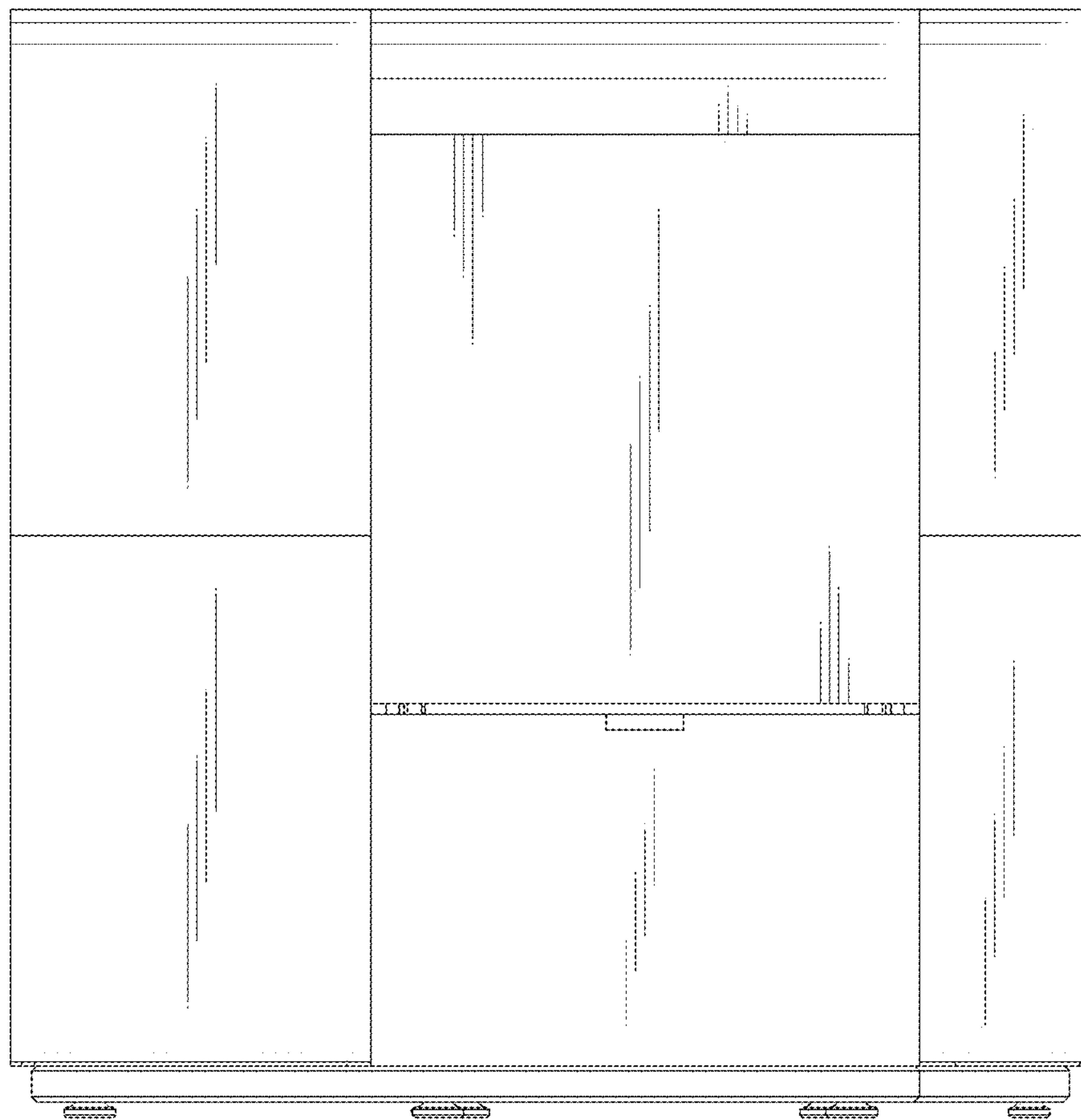


Fig. 4

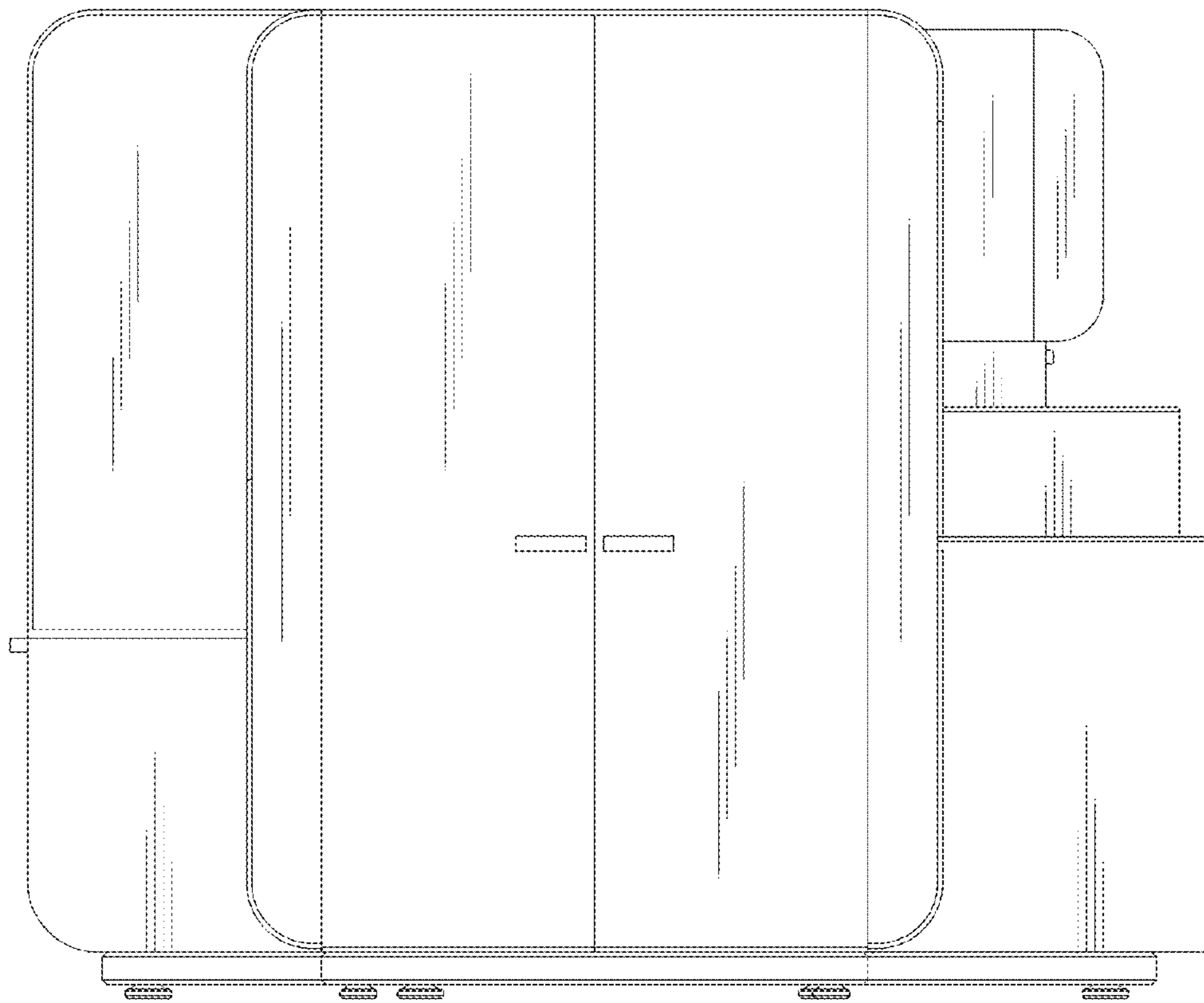




Fig. 5

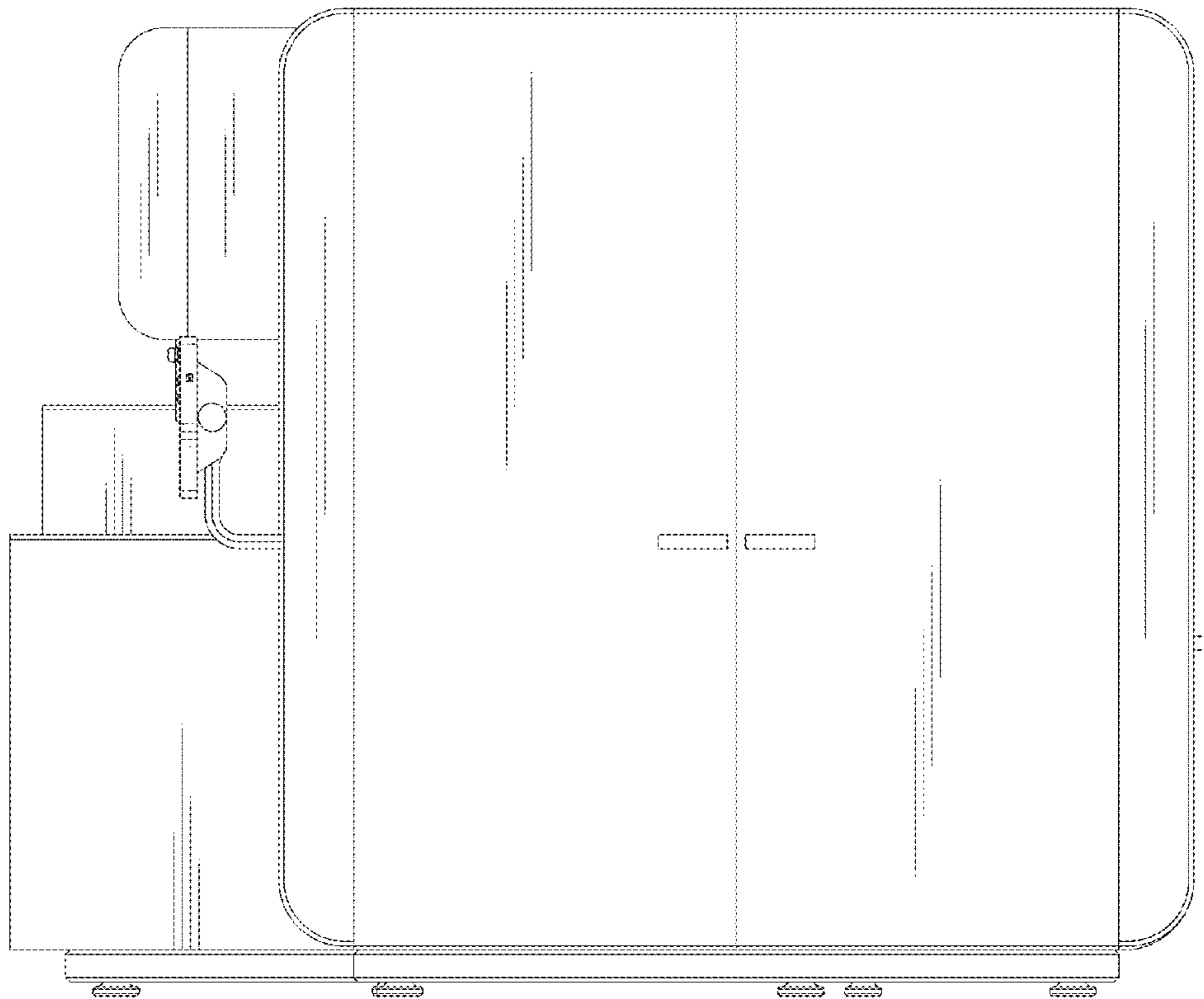


Fig. 6

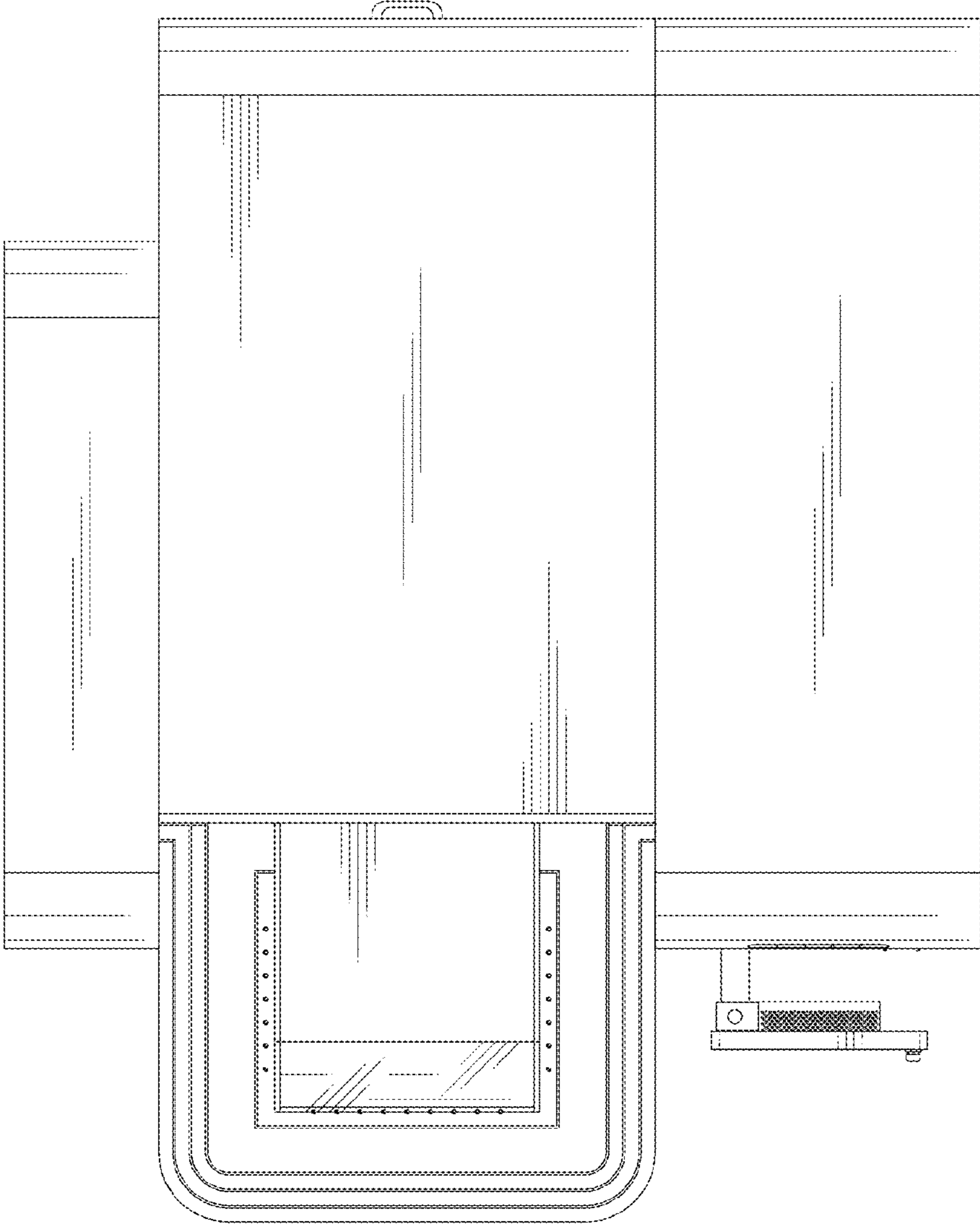


Fig. 7

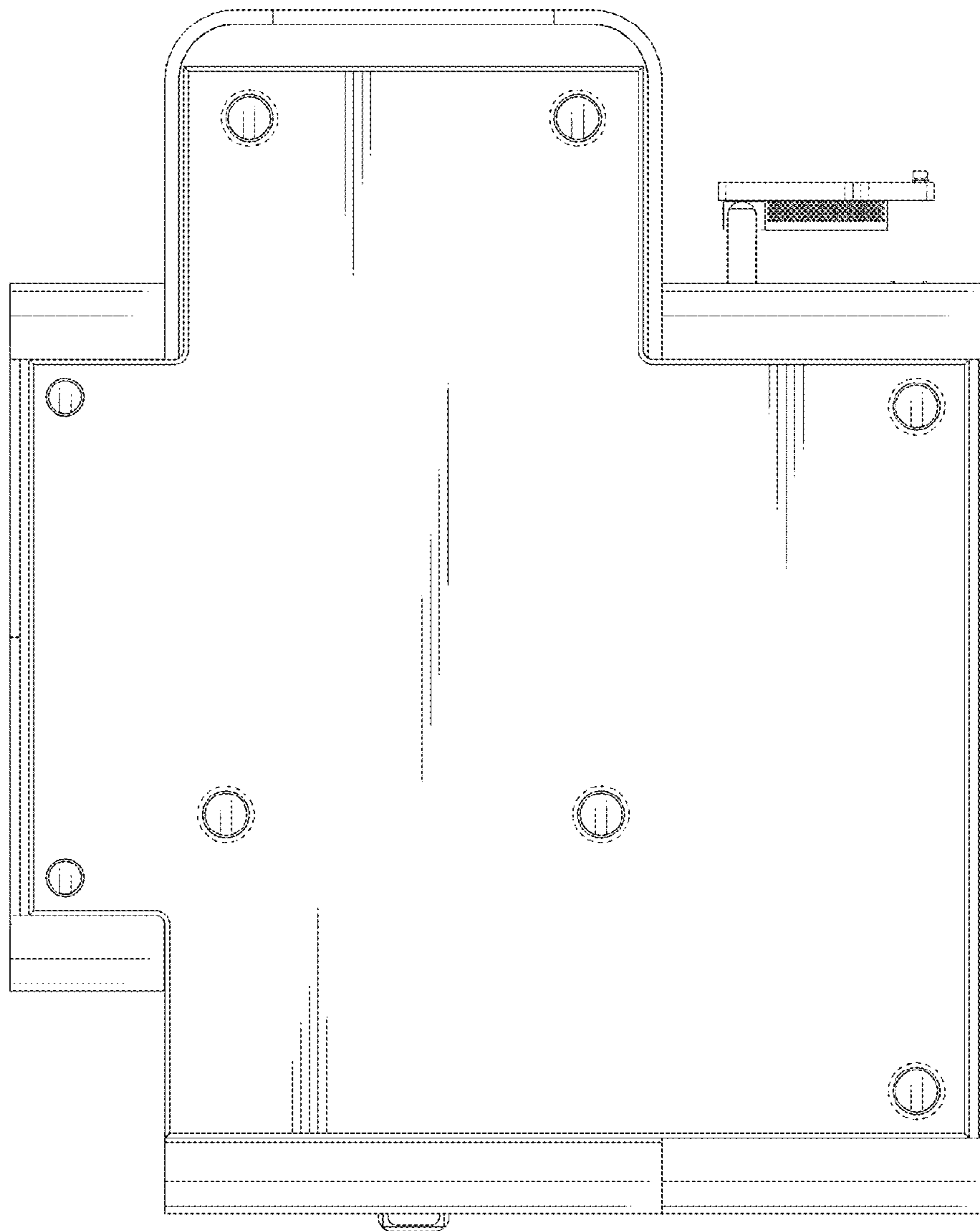




Fig. 8

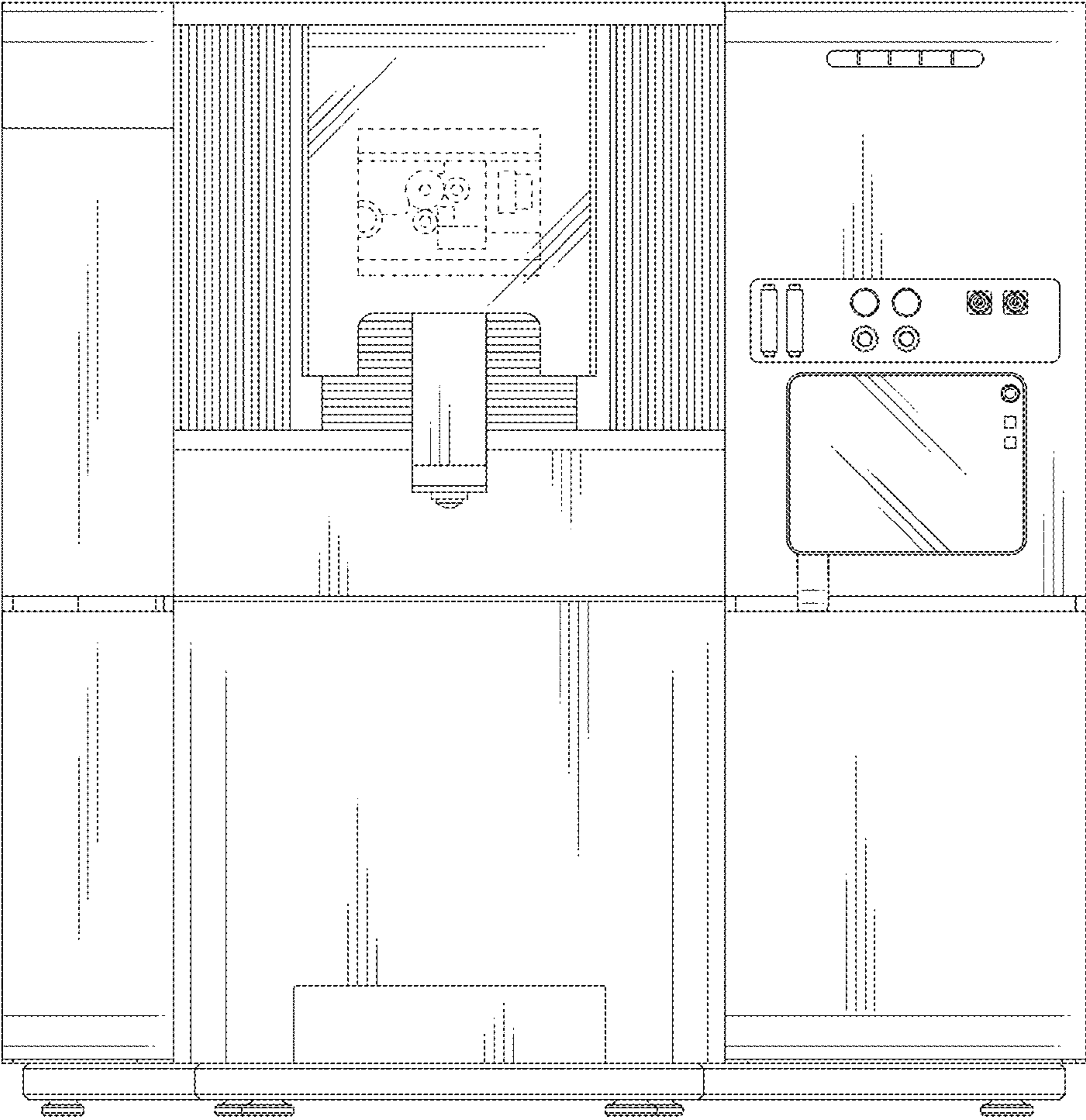


Fig. 9

