



US00D748694S

(12) **United States Design Patent**
Gansler

(10) **Patent No.:** **US D748,694 S**
(45) **Date of Patent:** **** Feb. 2, 2016**

- (54) **PIPE-CRUSHING APPARATUS**
- (71) Applicant: **BUCKHURST GROUP LIMITED,**
Bolton (GB)
- (72) Inventor: **Lee Gansler,** Lancashire (GB)
- (73) Assignee: **BUCKHURST GROUP LIMITED,**
Bolton (GB)
- (**) Term: **14 Years**
- (21) Appl. No.: **29/521,045**
- (22) Filed: **Mar. 19, 2015**
- (51) **LOC (10) Cl.** **15-09**
- (52) **U.S. Cl.**
USPC **D15/123**
- (58) **Field of Classification Search**
USPC **D15/28, 123**
See application file for complete search history.

(56) **References Cited**

U.S. PATENT DOCUMENTS

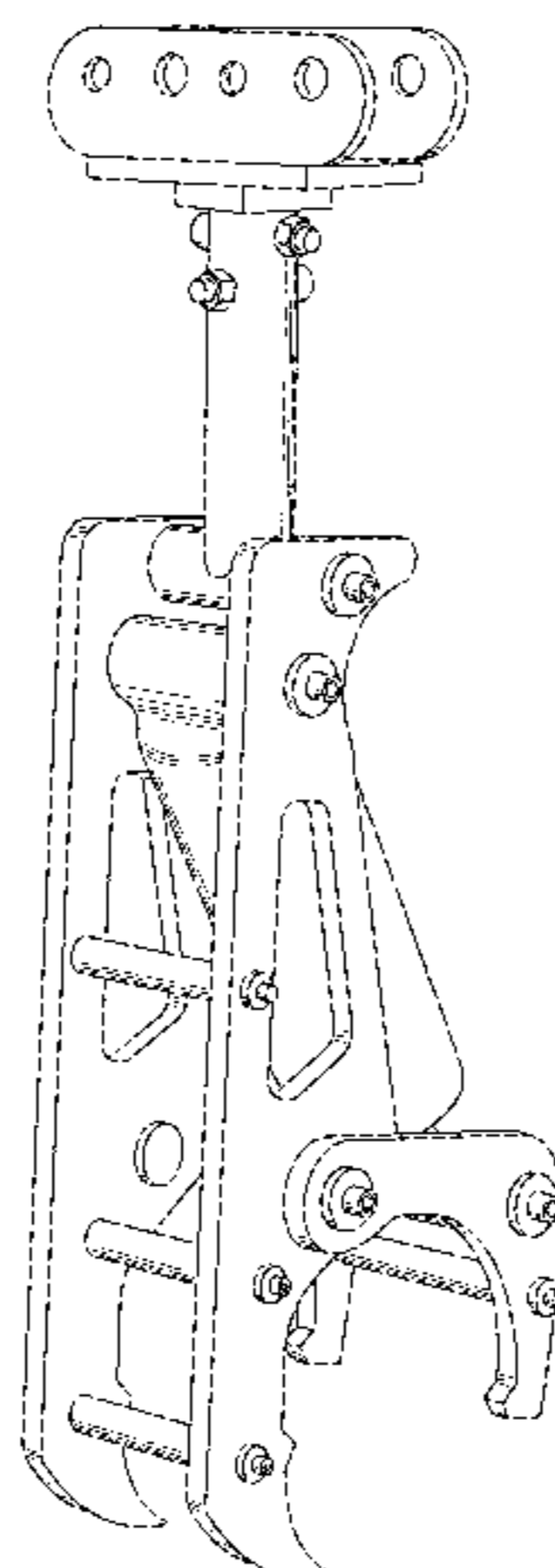
- 4,519,135 A * 5/1985 LaBounty B23D 17/00
144/34.5
- 4,543,719 A * 10/1985 Pardoe B23D 17/06
30/134
- 4,771,540 A * 9/1988 LaBounty E02F 3/965
144/345
- 4,838,493 A * 6/1989 LaBounty B23D 35/001
225/103
- 4,897,921 A * 2/1990 Ramun B23D 17/00
30/134
- 4,908,946 A * 3/1990 Labounty A01G 23/087
144/339
- 4,951,886 A * 8/1990 Berto E02F 3/3681
225/103
- 5,004,168 A * 4/1991 Purser E02F 3/3677
241/101.73
- 5,044,569 A * 9/1991 LaBounty E01C 23/122
225/103
- D323,169 S * 1/1992 Saito D15/28

- D323,170 S * 1/1992 Takahashi D15/28
- 5,127,567 A * 7/1992 LaBounty B23D 17/06
225/103
- 5,146,683 A * 9/1992 Morikawa E02F 3/965
30/134
- D332,791 S * 1/1993 Kanzawa D15/28
- 5,230,151 A * 7/1993 Kunzman E02F 3/965
30/131
- 5,743,476 A * 4/1998 Morikawa E02F 3/965
241/101.73
- 5,894,666 A * 4/1999 Hrusch B23D 17/00
241/101.73
- 5,940,971 A * 8/1999 Ramun B23D 17/00
241/101.72
- 5,992,023 A * 11/1999 Sederberg E04G 23/08
241/101.73
- 6,015,108 A * 1/2000 Okumura E02F 3/965
241/101.73
- 6,119,970 A * 9/2000 LaBounty B23D 17/00
241/101.73
- 6,202,308 B1 * 3/2001 Ramun B23D 17/00
241/101.72
- 6,298,560 B1 * 10/2001 Lee E02F 3/965
241/101.73
- 6,766,973 B2 * 7/2004 Muri E02F 3/965
241/101.73
- 6,926,217 B1 * 8/2005 LaBounty B23D 17/00
241/101.73
- 7,216,575 B2 * 5/2007 Alseth B23D 31/008
30/134
- 7,487,930 B2 * 2/2009 Sederberg B23D 31/008
241/101.73
- 7,578,461 B2 * 8/2009 Sederberg B23D 17/00
241/101.73
- 7,954,742 B2 * 6/2011 Ramun B23D 17/06
241/101.71
- 8,356,791 B1 * 1/2013 Blom F16K 7/06
251/4
- D687,470 S * 8/2013 Gerardus de Gier D15/123
- 8,800,902 B2 * 8/2014 Ko B02C 1/02
241/101.72
- 9,022,060 B2 * 5/2015 Blom F16K 7/07
137/315.07
- 2012/0255181 A1 * 10/2012 Johnson B23D 31/008
30/194

* cited by examiner

Primary Examiner — Patricia Palasik

(74) *Attorney, Agent, or Firm* — Egbert Law Offices, PLLC



(57)

CLAIM

The ornamental design for a pipe-crushing apparatus, as shown and described.

DESCRIPTION

FIG. 1 is a perspective view of a pipe-crushing apparatus showing my new design.

FIG. 2 is a side view thereof;

FIG. 3 is an opposite view thereof;

FIG. 4 is a front view thereof;

FIG. 5 is a rear view thereof; and,

FIG. 6 is a perspective view thereof wherein the pipe-crushing apparatus has been rotated.

1 Claim, 6 Drawing Sheets

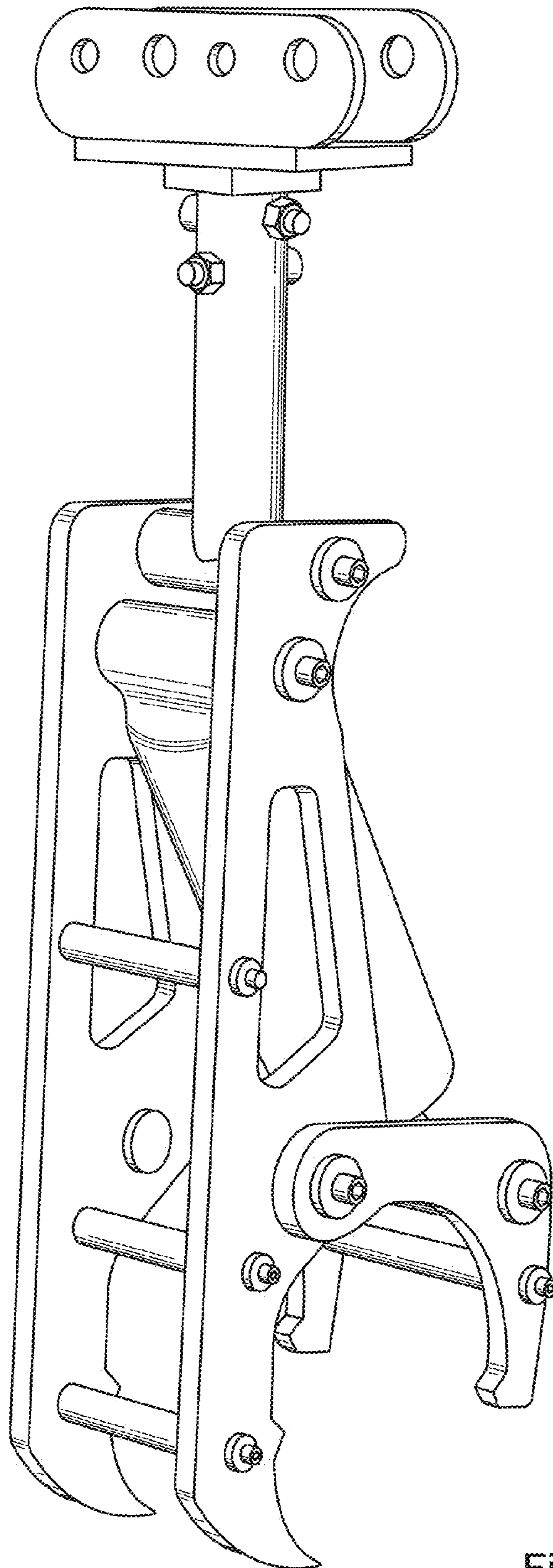


Fig. 1

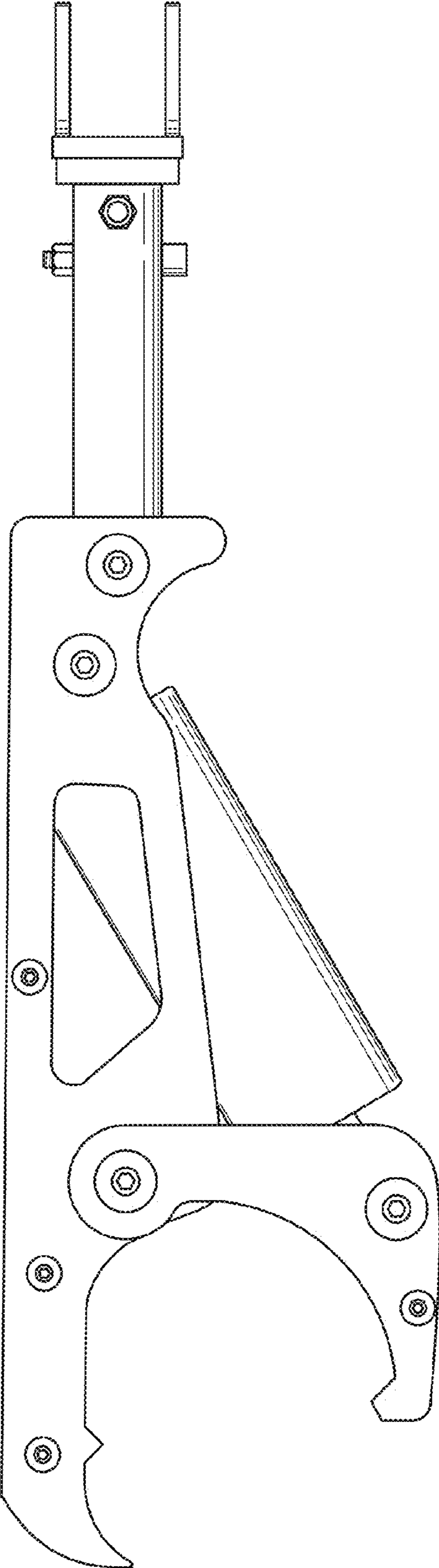


Fig. 2

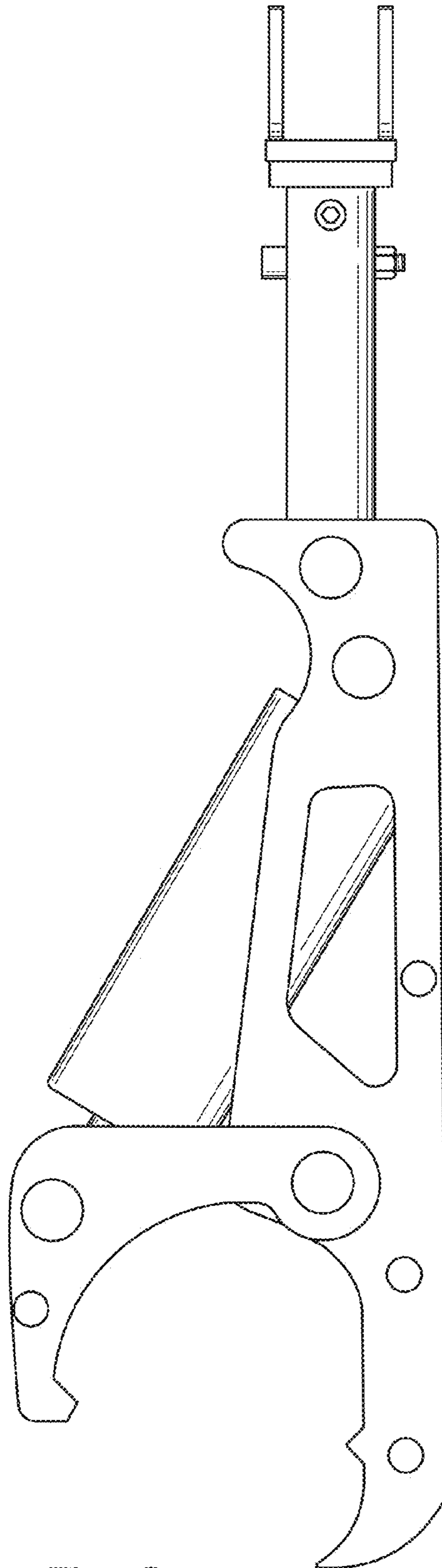


Fig. 3

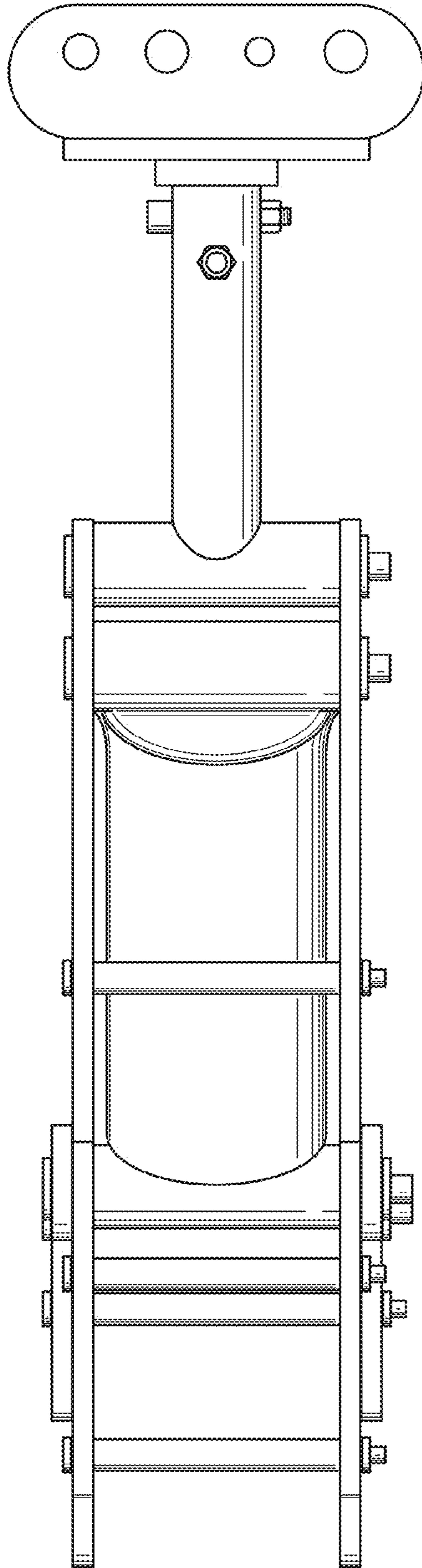


Fig. 4

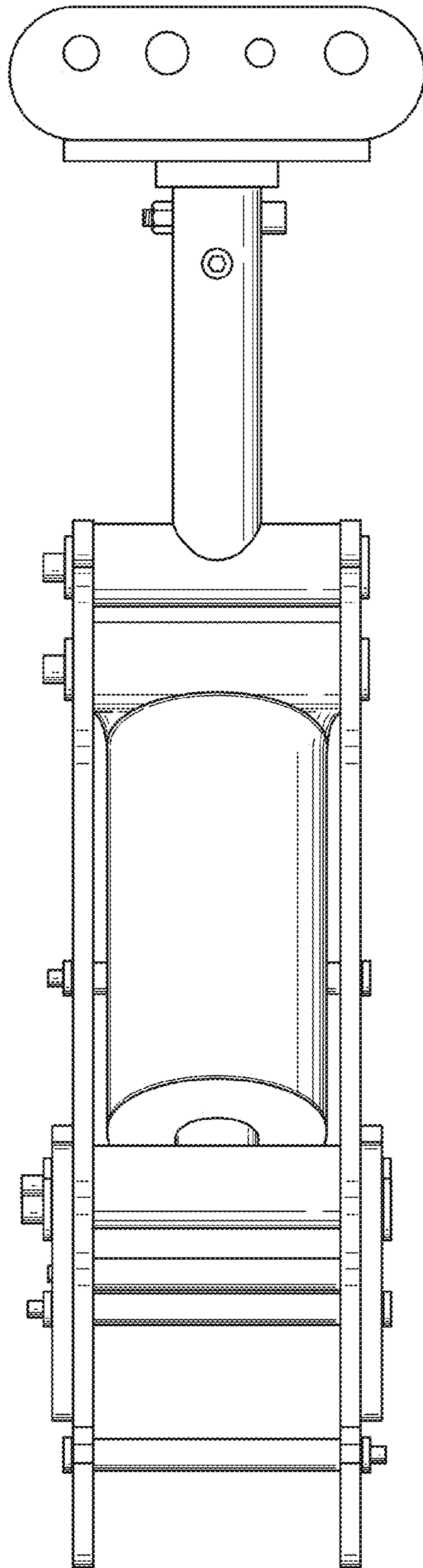


Fig. 5

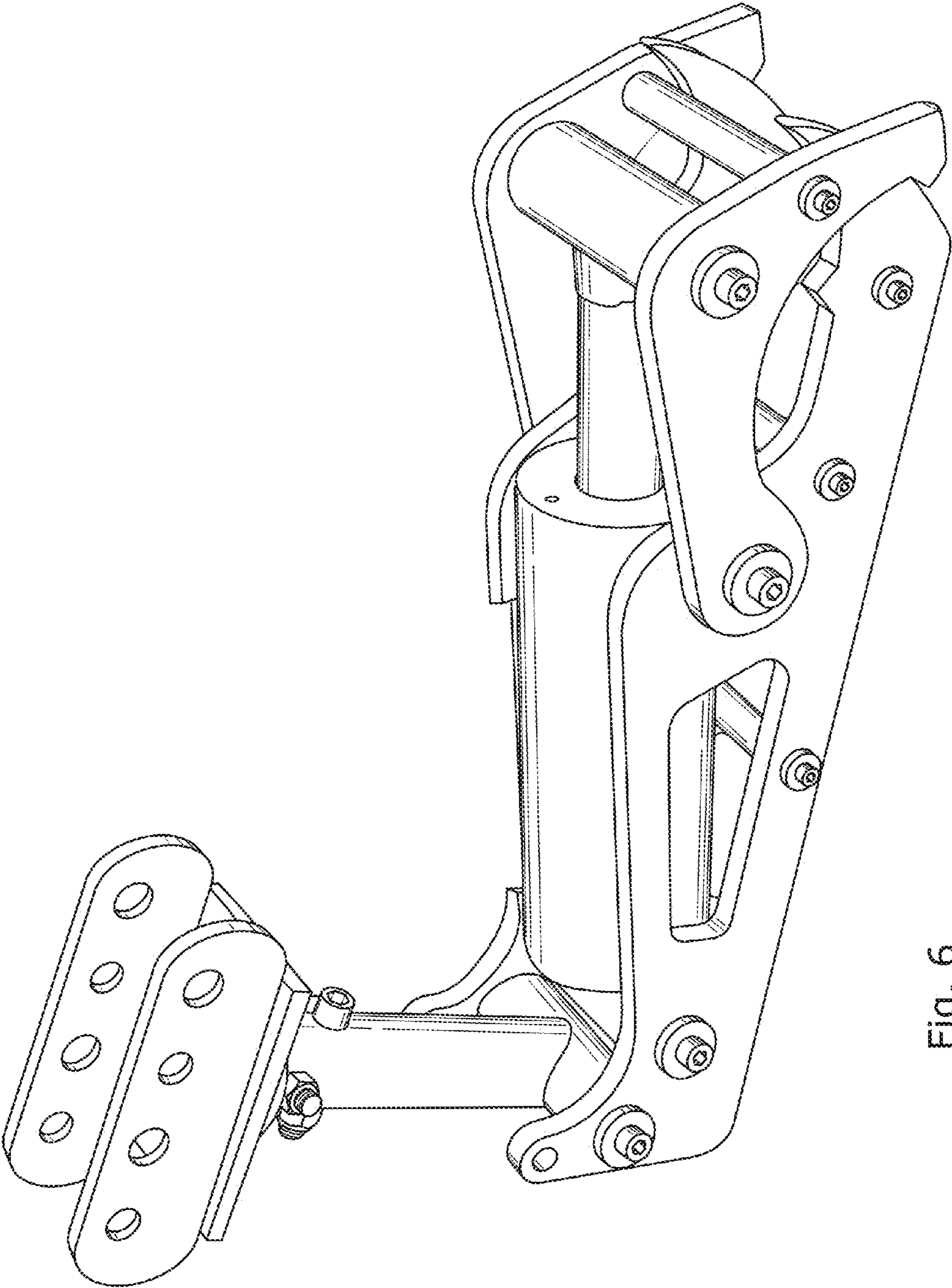


Fig. 6