



US00D748690S

(12) **United States Design Patent**
McConnell et al.

(10) **Patent No.:** **US D748,690 S**
(45) **Date of Patent:** **** Feb. 2, 2016**

(54) **APPLIANCE INTERIOR WITH COLOR**

DESCRIPTION

- (71) Applicant: **Whirlpool Corporation**, Benton Harbor, MI (US)
- (72) Inventors: **Jessica R. McConnell**, St. Joseph, MI (US); **Daniel Henry Quinlan**, Stevensville, MI (US); **Kelly E. Roche**, St. Joseph, MI (US); **Michael S. Seeley**, South Haven, MI (US)
- (73) Assignee: **Whirlpool Corporation**, Benton Harbor, MI (US)
- (**) Term: **14 Years**
- (21) Appl. No.: **29/485,321**
- (22) Filed: **Mar. 18, 2014**
- (51) **LOC (10) Cl.** **15-07**
- (52) **U.S. Cl.**
USPC **D15/89**
- (58) **Field of Classification Search**
USPC D15/79, 81, 84, 85, 86, 88, 89, 91
CPC F25D 2323/02; F25D 2323/021; F25D 2317/06; F25D 2317/062; F25D 2323/121; F25D 2323/122; F25D 2331/806; F25D 2400/36; F25D 13/02; F25D 13/04; F25D 11/02; F25D 11/025
See application file for complete search history.

(56) **References Cited**

U.S. PATENT DOCUMENTS

- D508,249 S * 8/2005 Seok et al. D15/86
- D511,177 S * 11/2005 Jackovin et al. D15/89

(Continued)

Primary Examiner — Ian Simmons
Assistant Examiner — Khawaja Anwar

(57) **CLAIM**

We claim the ornamental design for an appliance interior with color, as shown and described.

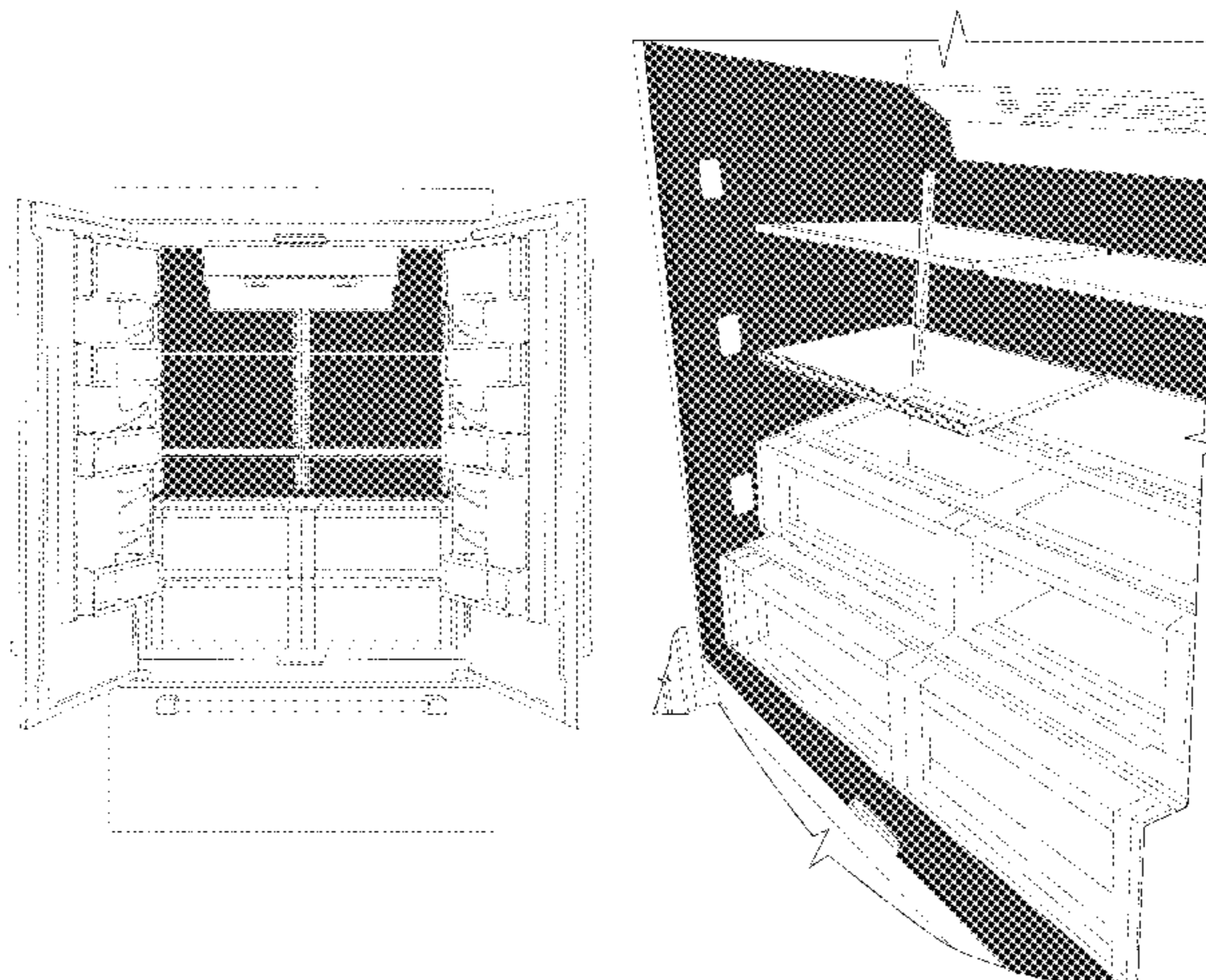
FIG. 1 is a perspective view of an appliance interior with color in a closed configuration according to our design;
 FIG. 2 is a front elevation view thereof;
 FIG. 3 is a left side elevation view thereof;
 FIG. 4 is a top plan view thereof;
 FIG. 5 is a bottom plan view thereof;
 FIG. 6 is a front perspective view of the appliance interior with color of FIG. 1 shown in an open configuration;
 FIG. 7 is an enlarged top left perspective view thereof;
 FIG. 8 is an enlarged top right perspective view thereof;
 FIG. 9 is a front elevation view thereof;
 FIG. 10 is a partial left perspective view thereof;
 FIG. 11 is a partial front elevation view thereof;
 FIG. 12 is a partial left perspective view thereof in a first use condition of the open configuration;
 FIG. 13 is a partial front elevation view of a right portion thereof;
 FIG. 14 is a partial right perspective view thereof;
 FIG. 15 is a partial front elevation view thereof;
 FIG. 16 is a partial right perspective view thereof in a second use condition of the open configuration; and,
 FIG. 17 is a partial front elevation view thereof.

The broken lines in the figures are to show an environment and form no part of the claimed design.

The comparatively dark-tone fill on the interior refrigerator compartment walls shown in FIGS. 6-9 is used to indicate a charcoal gray color having the following characteristics:
 H: 0
 S: 0
 V: 28 (+/-5%);

As also shown in FIGS. 6-9, the comparatively light tone fill on the trim portion on the back and front of a shelf of the appliance interior is used to indicate a matte silver color having a metallic appearance and having the following color characteristics:
 H: 0
 S: 0
 V: 78 (+/-7%).

1 Claim, 16 Drawing Sheets



(56)

References Cited

U.S. PATENT DOCUMENTS

D511,179 S * 11/2005 Tunzi D15/89
D518,832 S * 4/2006 Park et al. D15/85
D629,819 S * 12/2010 Placke et al. D15/89
D639,315 S * 6/2011 Yang et al. D15/85
D647,927 S * 11/2011 Lee et al. D15/85

D654,515 S * 2/2012 Hwang et al. D15/85
D655,321 S * 3/2012 Lee et al. D15/86
D707,735 S * 6/2014 Cho et al. D15/91
D710,401 S * 8/2014 Ringemann et al. D15/85
D710,402 S * 8/2014 Jeon et al. D15/86
D716,851 S * 11/2014 Seo et al. D15/89
D718,346 S * 11/2014 Cho et al. D15/81
D718,349 S * 11/2014 Cho et al. D15/85

* cited by examiner

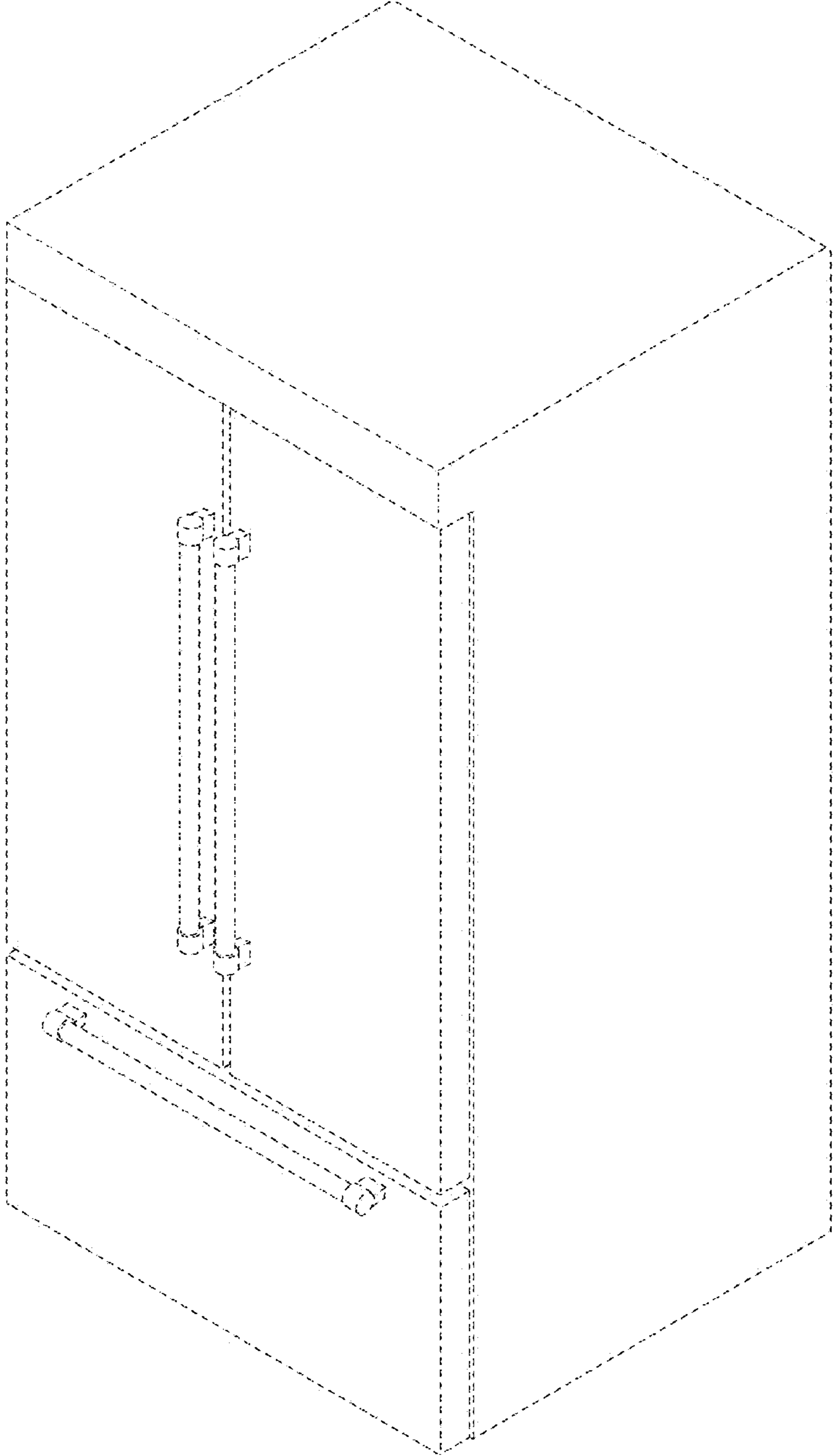


FIG. 1

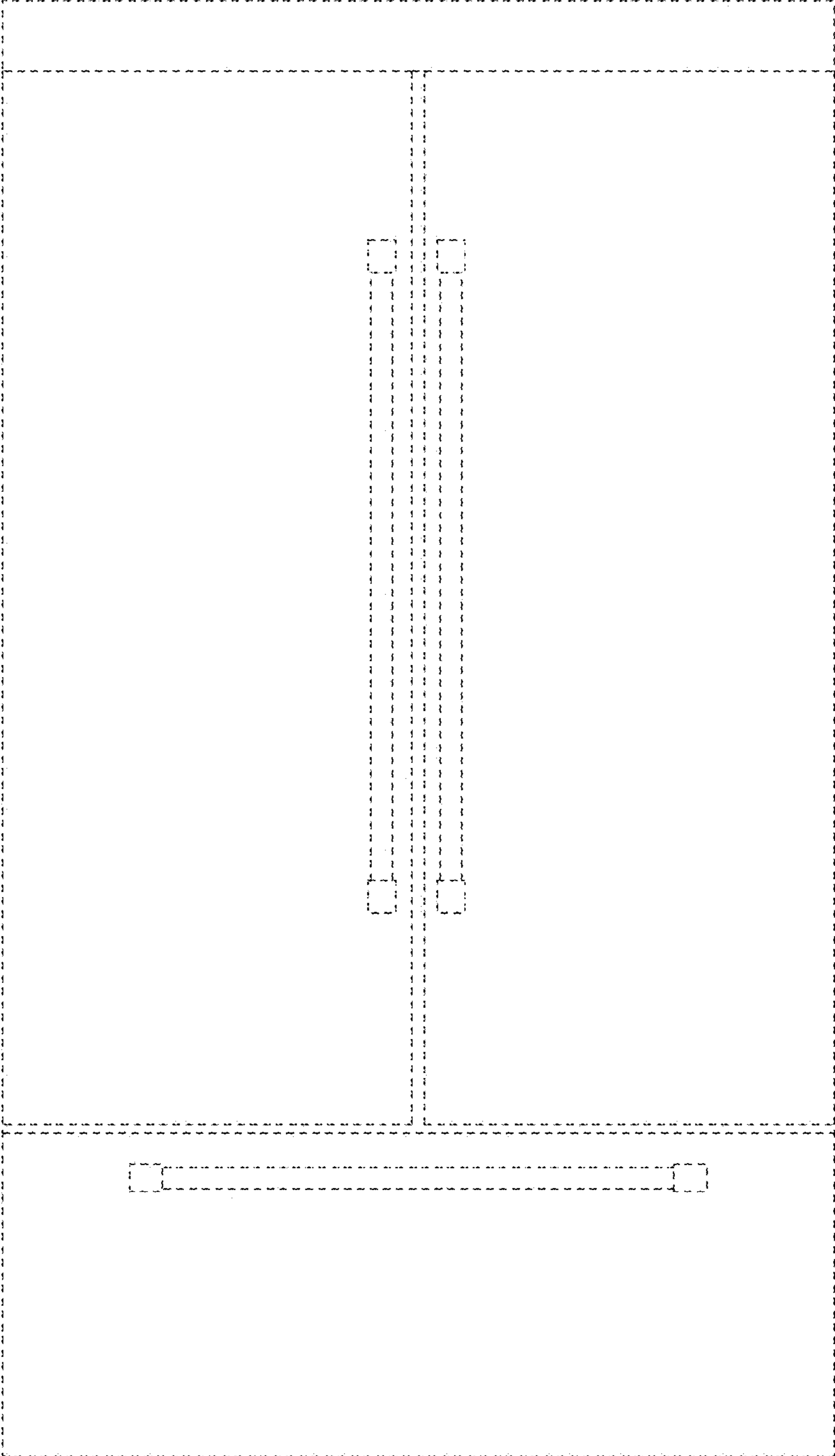


FIG. 2



FIG. 3

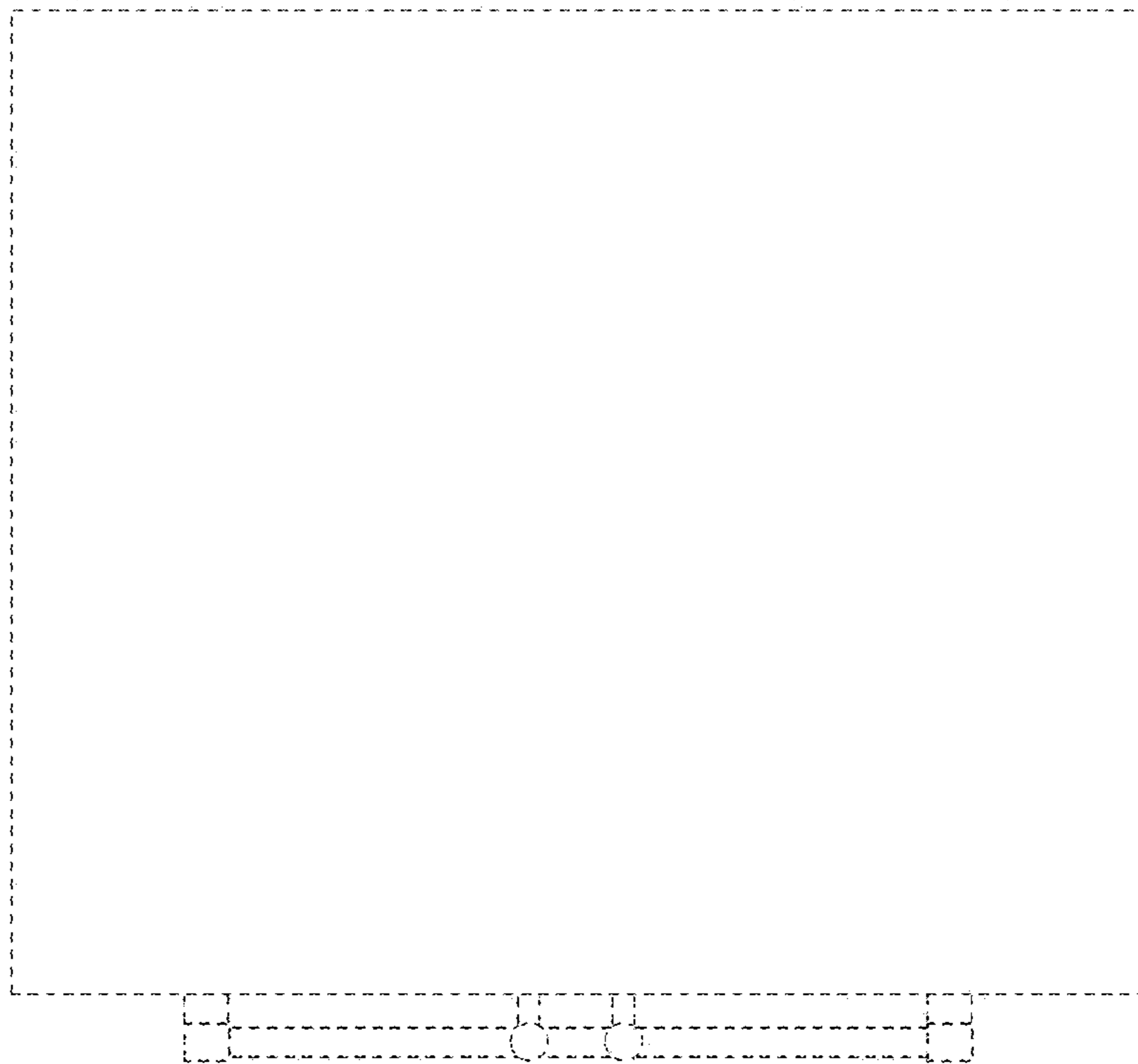


FIG. 4

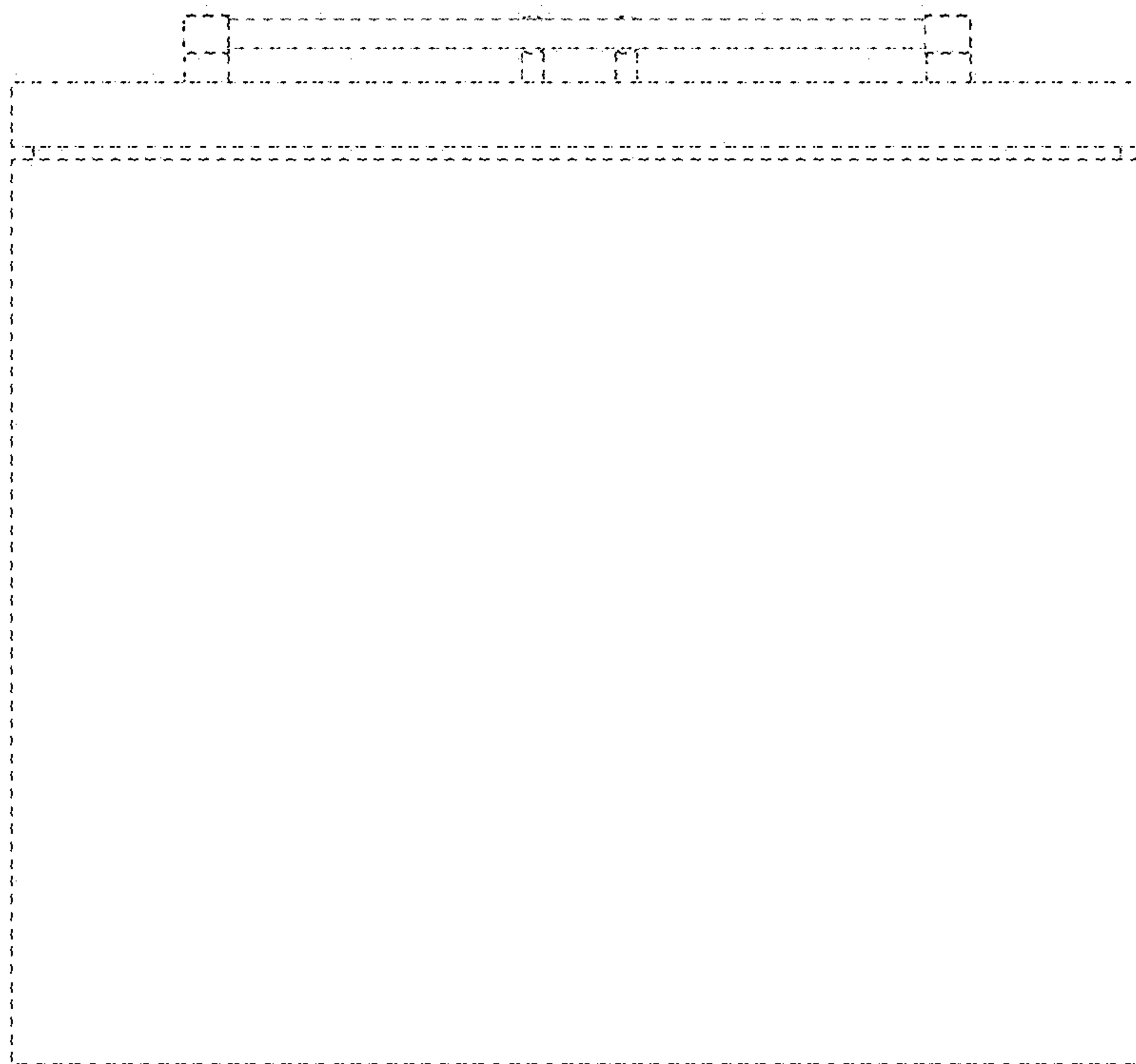


FIG. 5

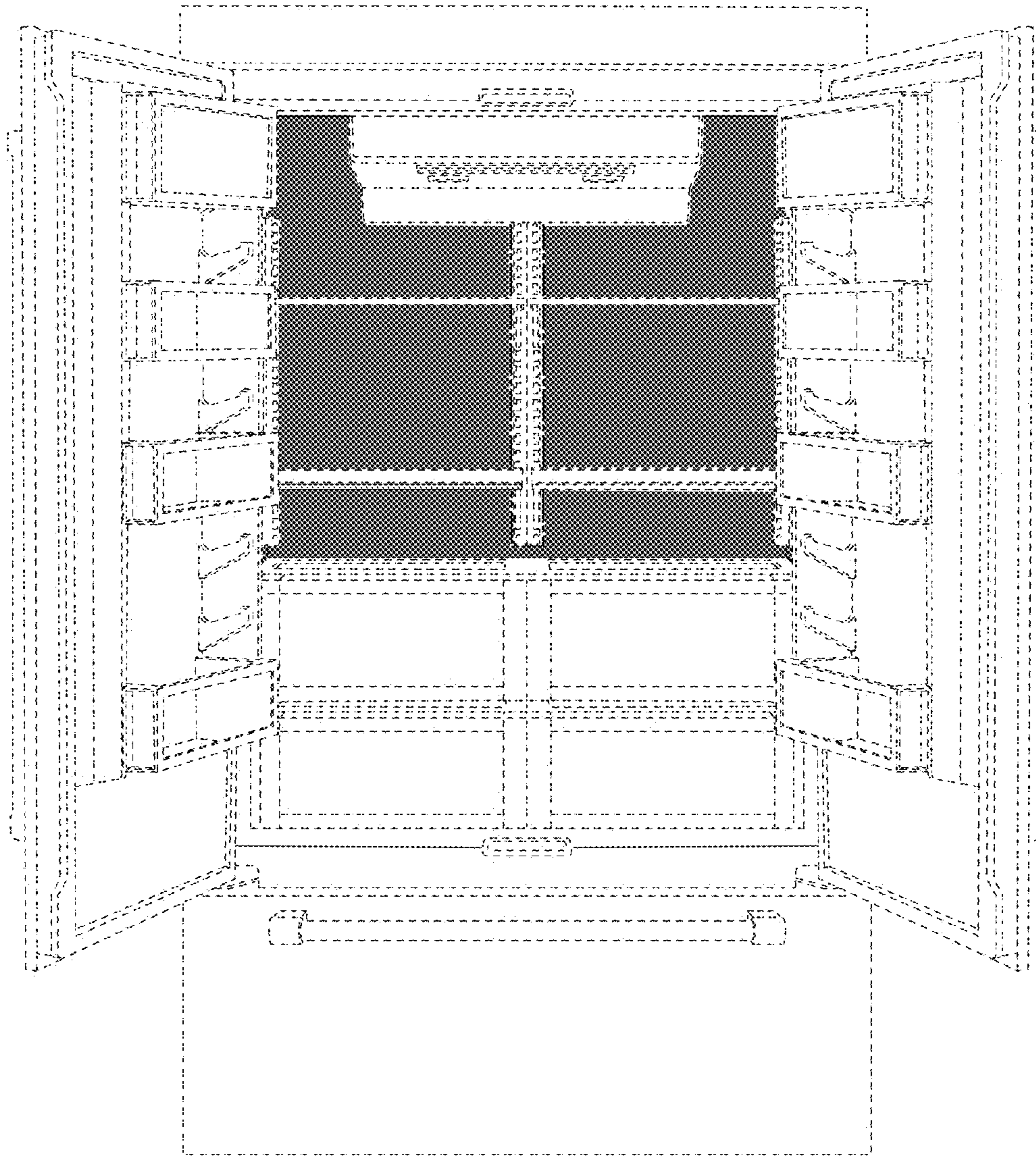
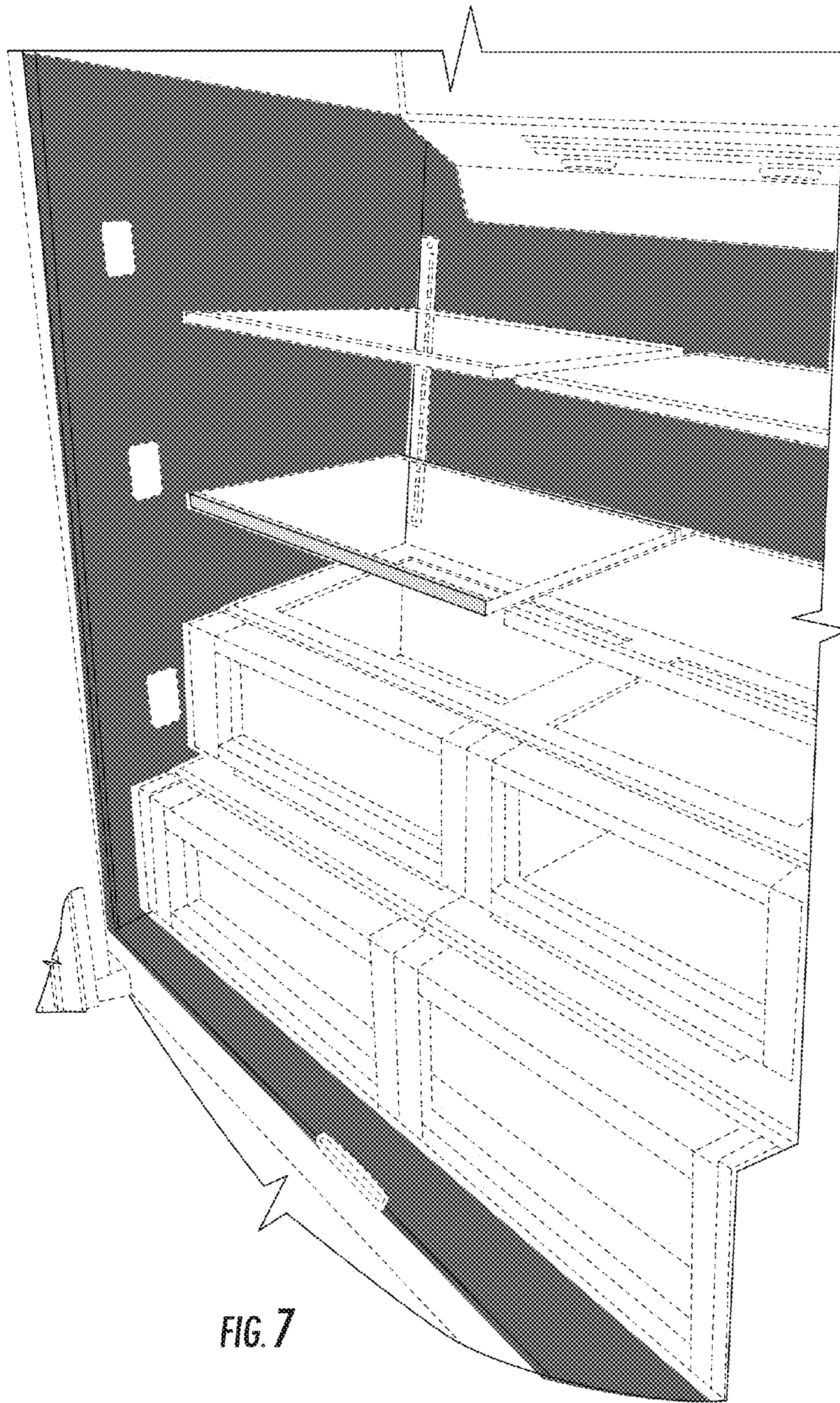
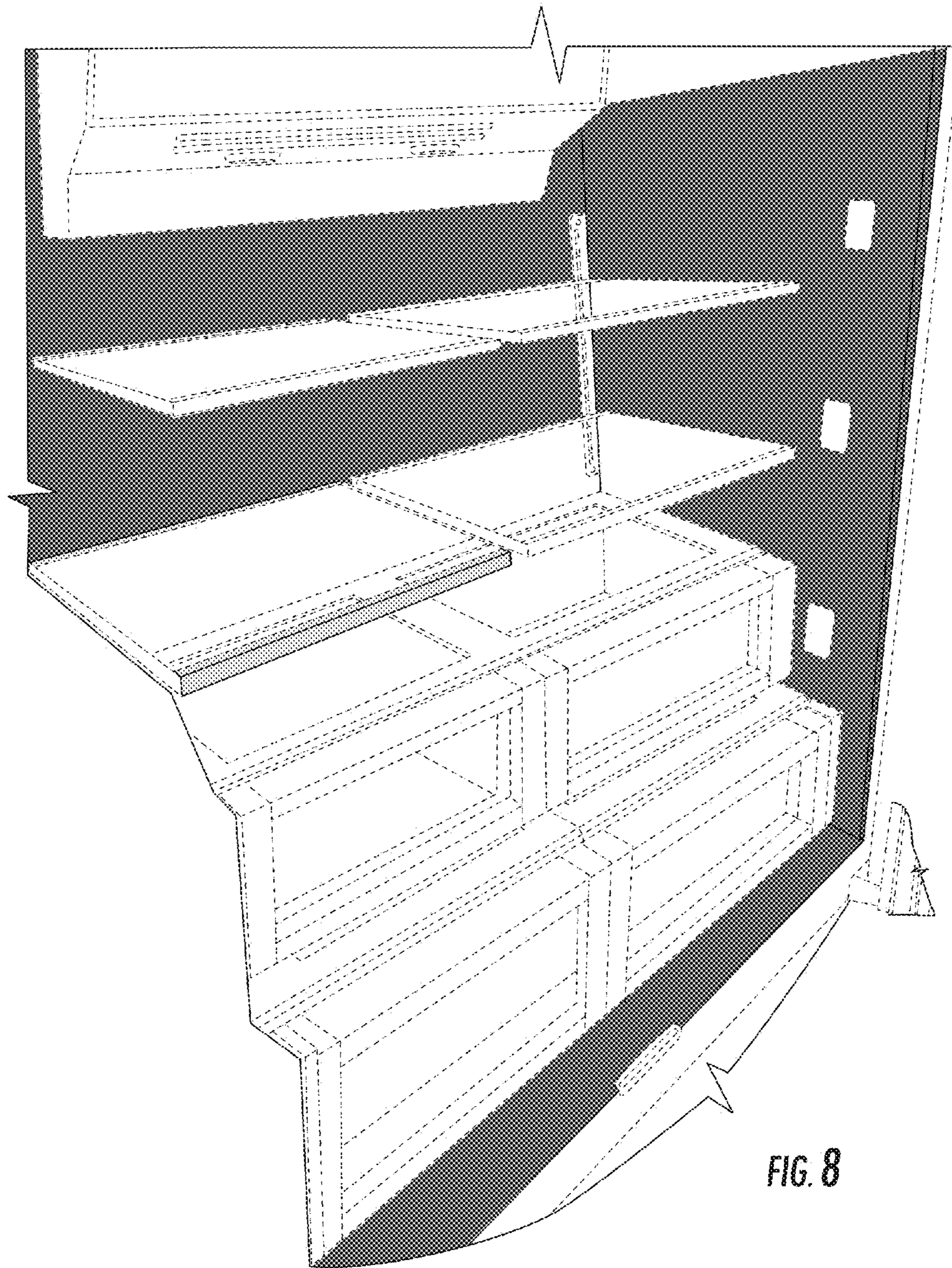


FIG. 6





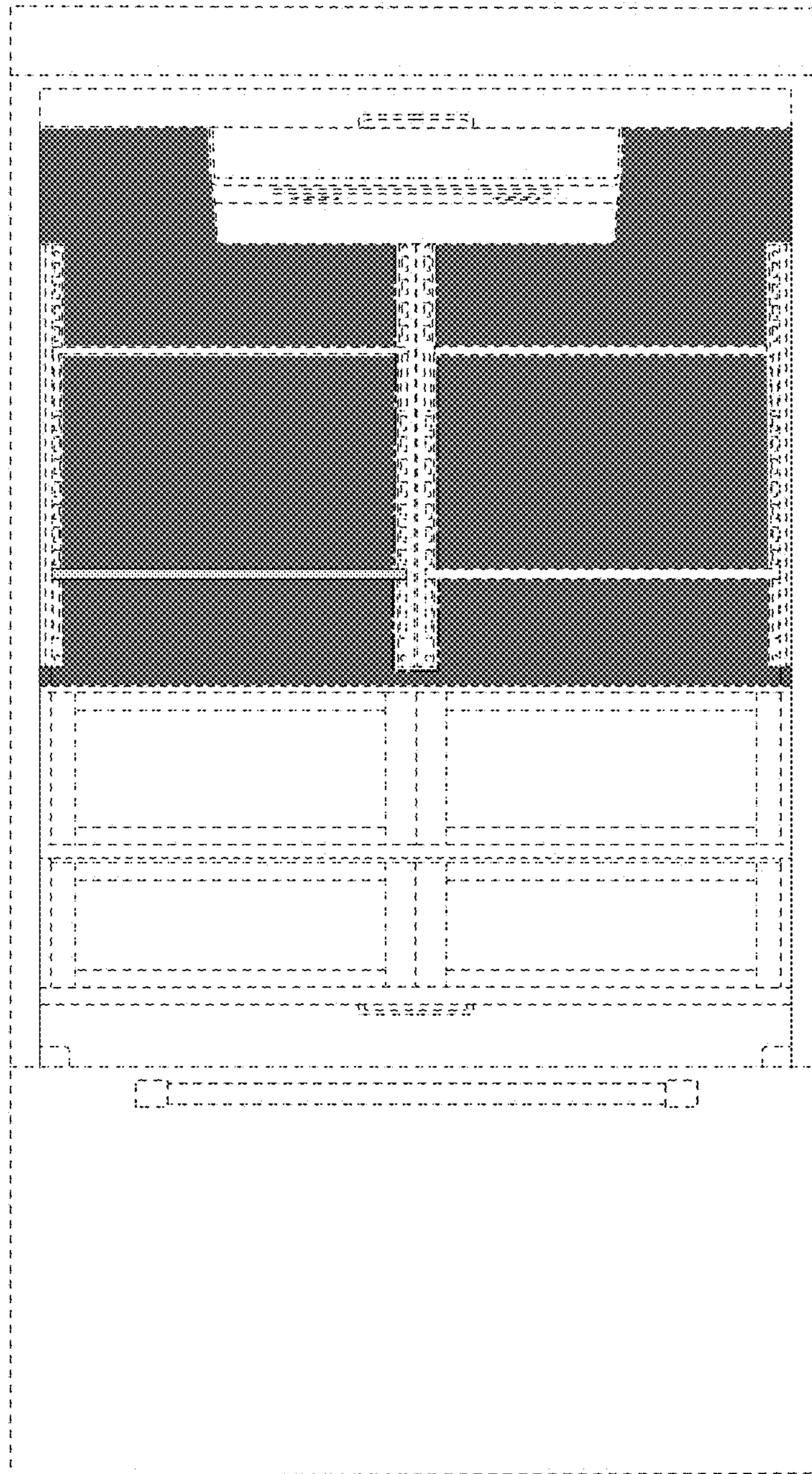


FIG. 9

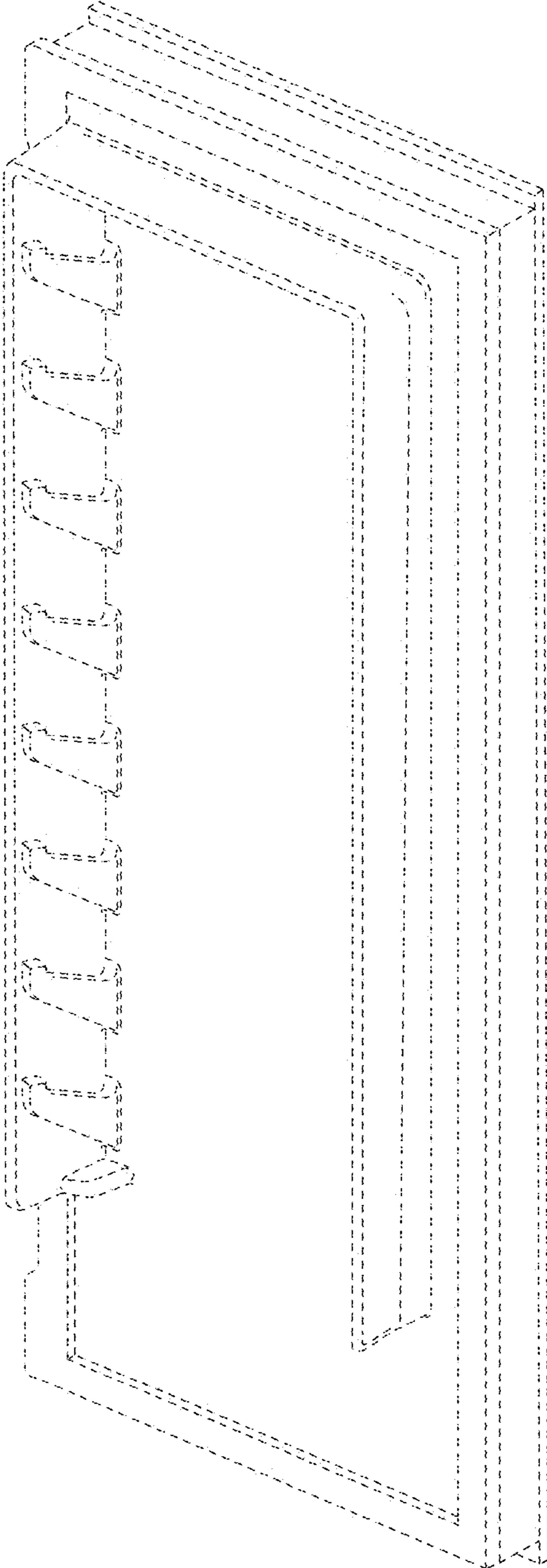


FIG. 10

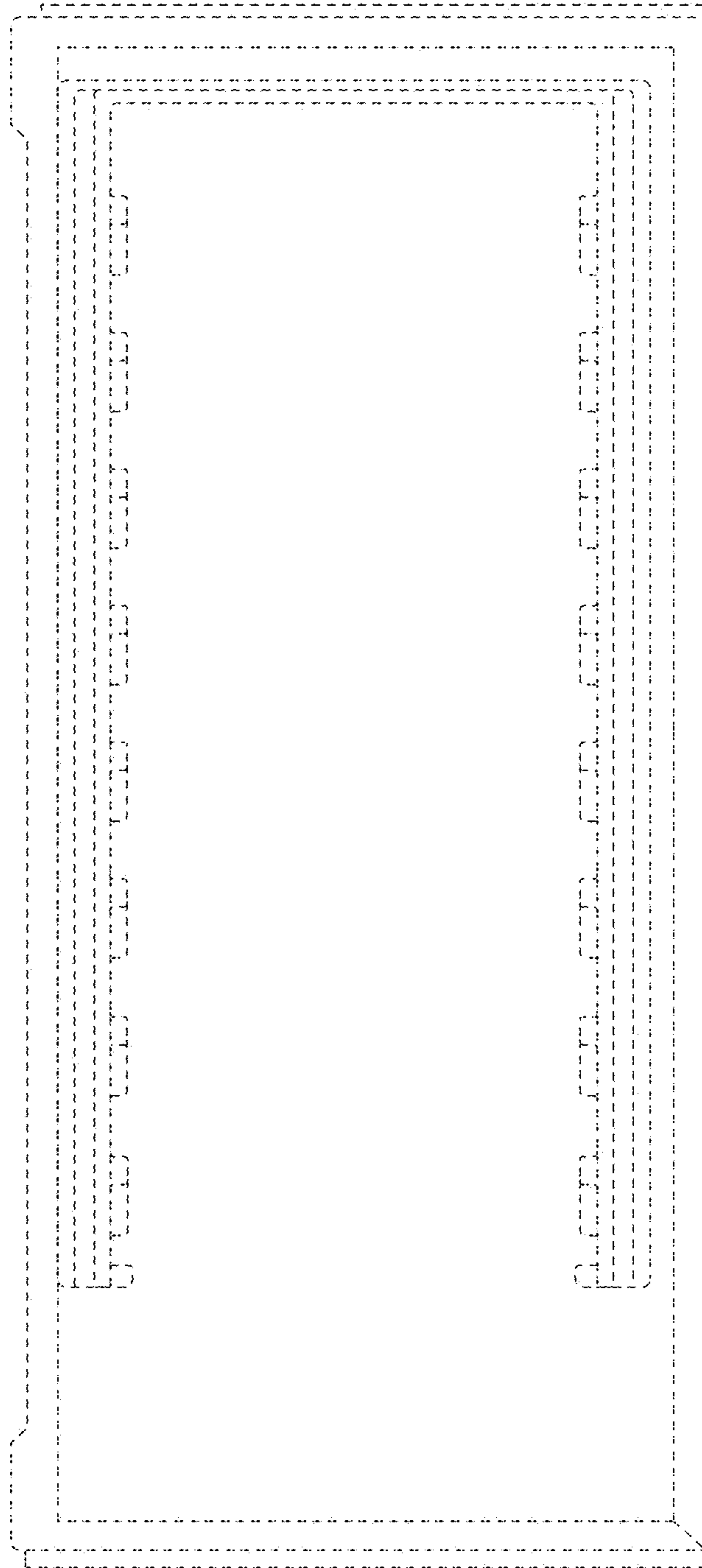


FIG. 11

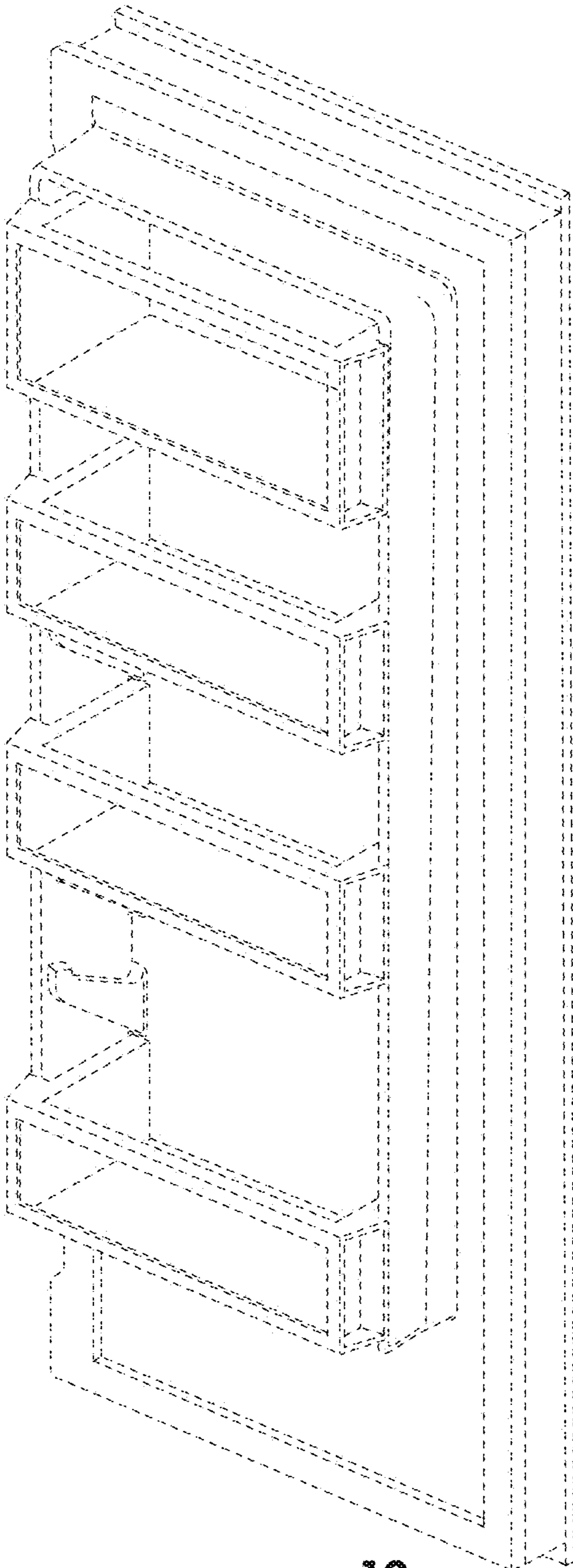


FIG. 12

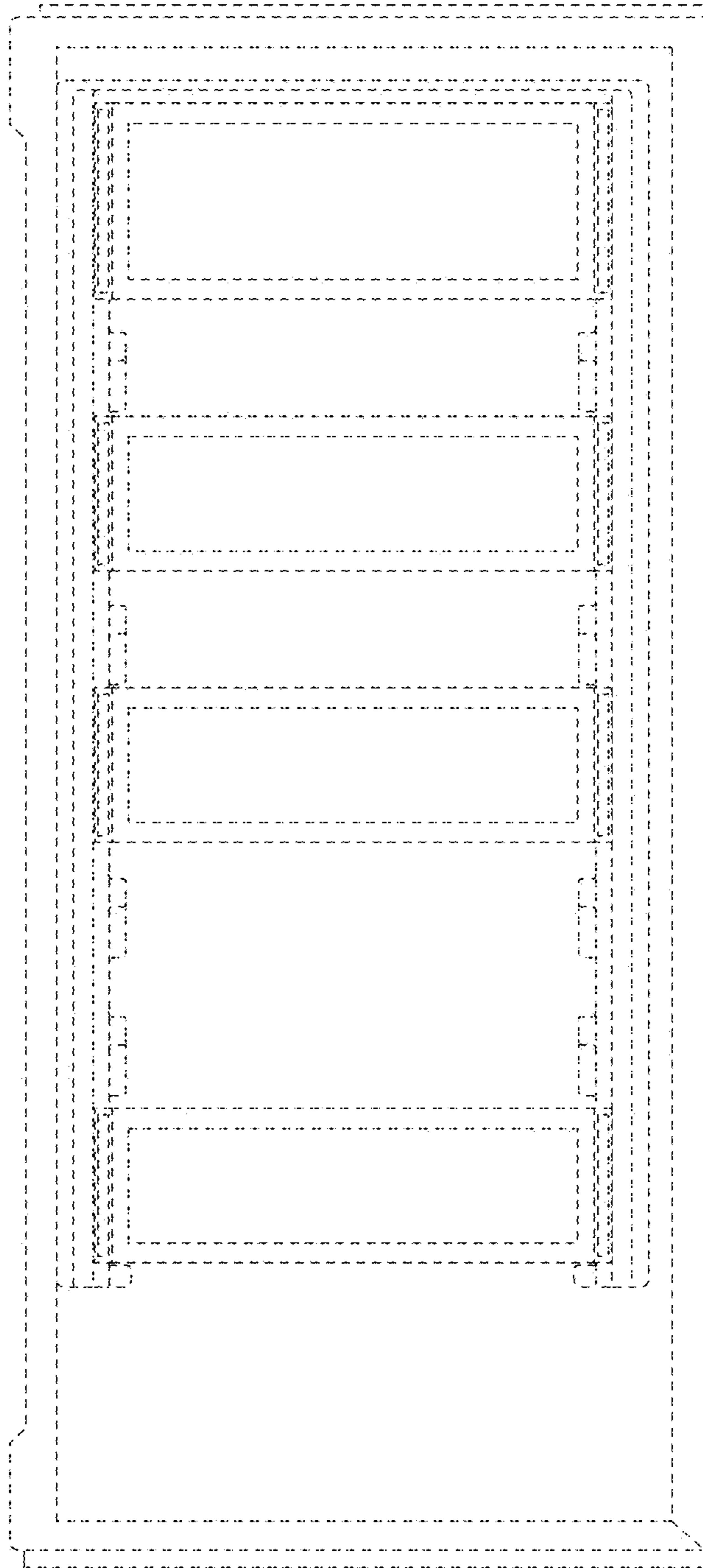


FIG. 13

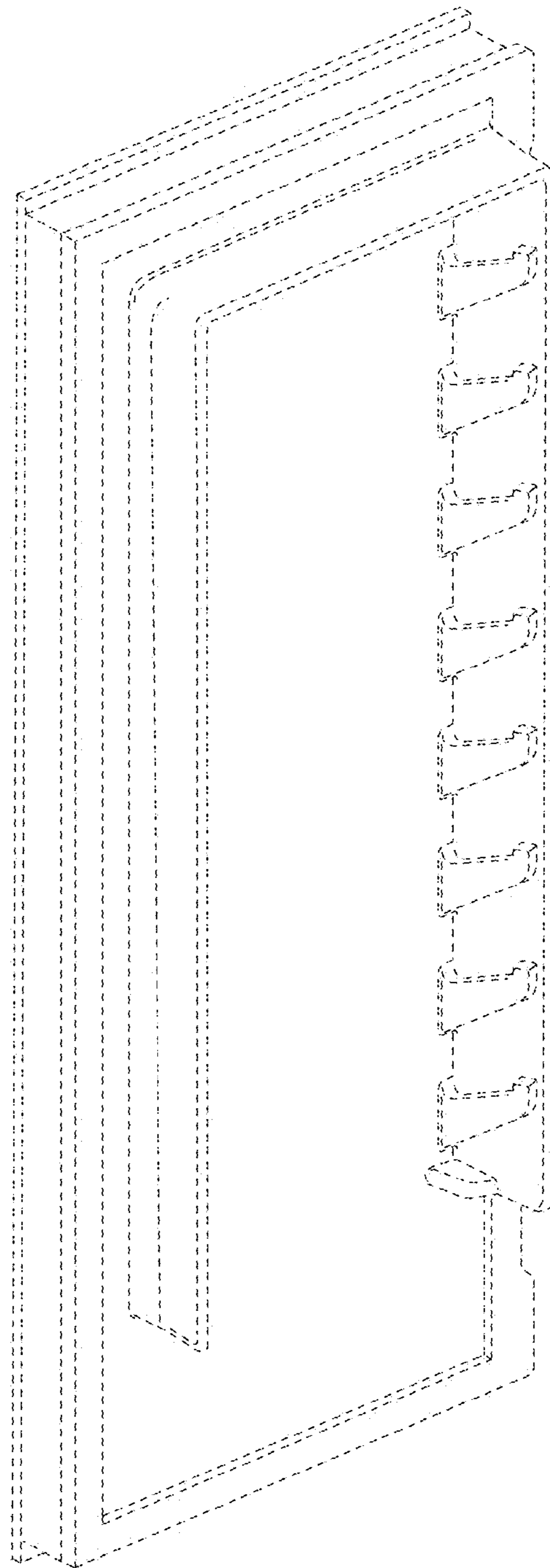


FIG. 14

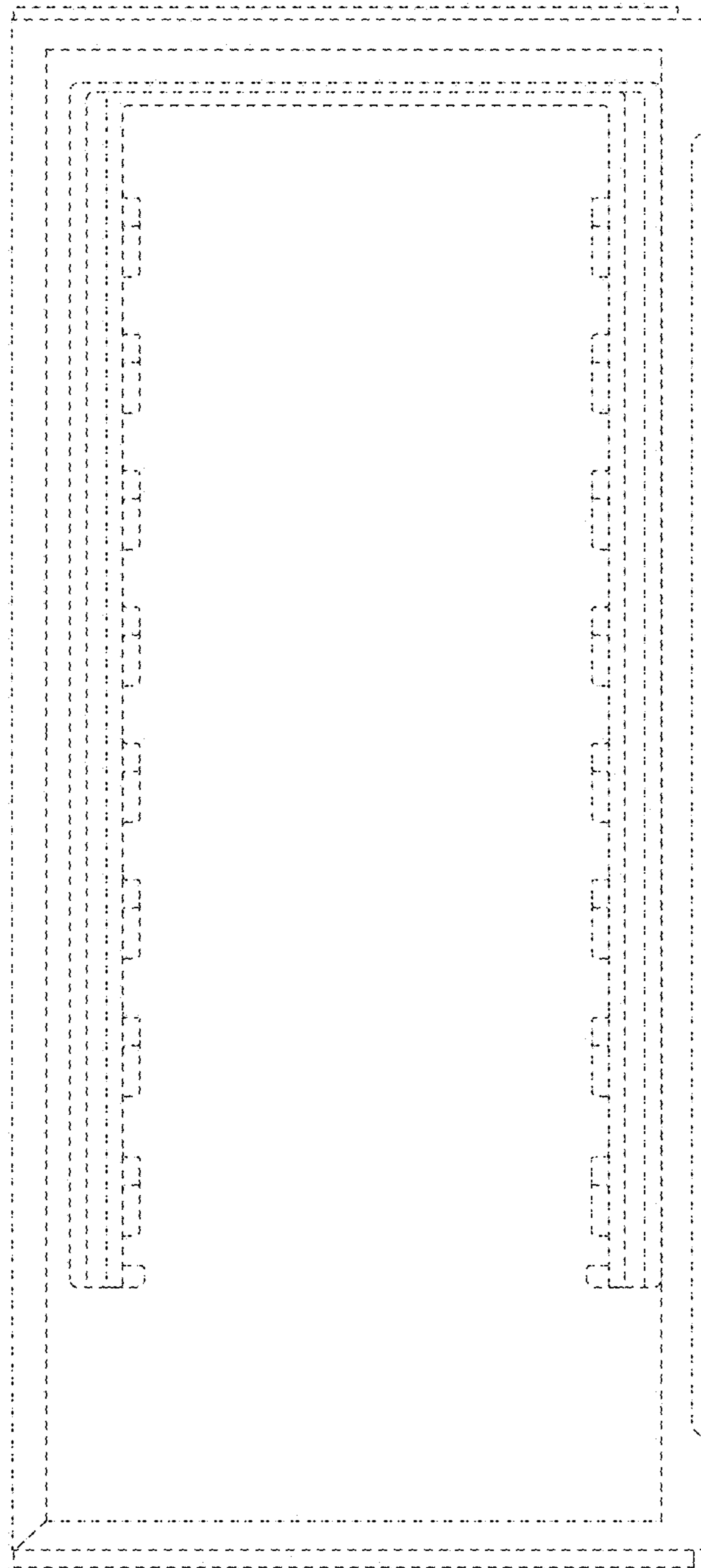


FIG. 15

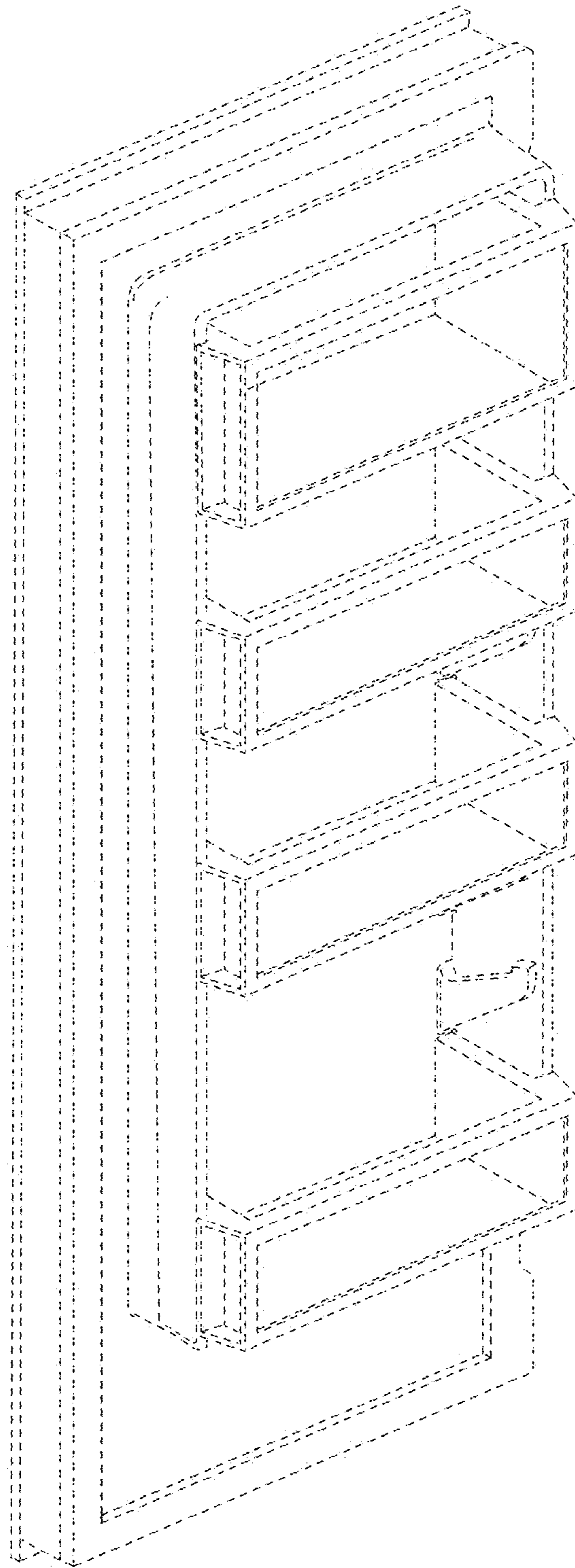


FIG. 16

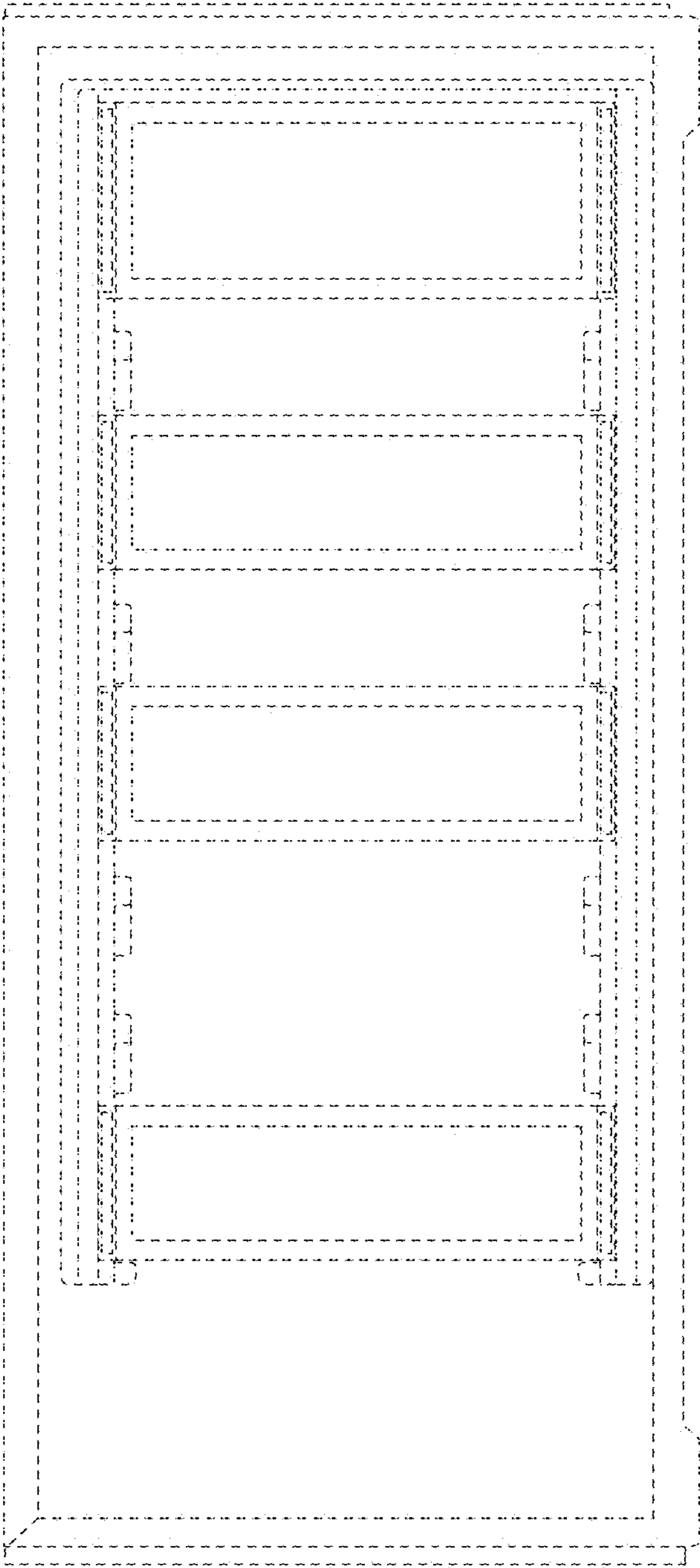


FIG. 17