



US00D748689S

(12) **United States Design Patent**
Girardi

(10) **Patent No.:** **US D748,689 S**
(45) **Date of Patent:** **** Feb. 2, 2016**

(54) **REFRIGERATOR**

(71) Applicant: **Ambev S/A**, Sao Paulo (BR)
(72) Inventor: **Levi Girardi**, Cajamar (BR)
(73) Assignee: **AMBEV S/A**, Sao Paulo (BR)
(**) Term: **14 Years**

(21) Appl. No.: **29/512,330**
(22) Filed: **Dec. 18, 2014**

(30) **Foreign Application Priority Data**

Dec. 11, 2014 (BR) 302014006270

(51) **LOC (10) Cl.** **15-07**
(52) **U.S. Cl.**
USPC **D15/81**

(58) **Field of Classification Search**

USPC D15/79-91
CPC F25B 21/02; F25B 21/04; F25B 29/00;
F25B 2321/025; F25B 2321/0251; F25B
2339/047; F25B 2400/22; F25B 2700/2117;
F25B 1/00; F25B 1/10; F25B 2309/061;
F25B 2321/02; F25B 2347/021; F25B
2400/0411; F25B 2400/06; F25D 23/028;
F25D 23/02; F25D 25/025; F25D 23/00;
F25D 2323/021; F25D 11/00; F25D 23/04;
F25D 25/02; F25D 23/021; F25D 23/067;
F25D 25/024; F25D 17/042; F25D 2323/024;
F25D 23/065

See application file for complete search history.

(56) **References Cited**

U.S. PATENT DOCUMENTS

D671,575 S * 11/2012 Jafa D15/91
D696,305 S * 12/2013 Kim D15/86
D715,334 S * 10/2014 Sin D15/81
D736,276 S * 8/2015 Kim D15/89

* cited by examiner

Primary Examiner — Daniel Bui

Assistant Examiner — Khawaja Anwar

(74) *Attorney, Agent, or Firm* — Finnegan, Henderson, Farabow, Garrett & Dunner, L.L.P.

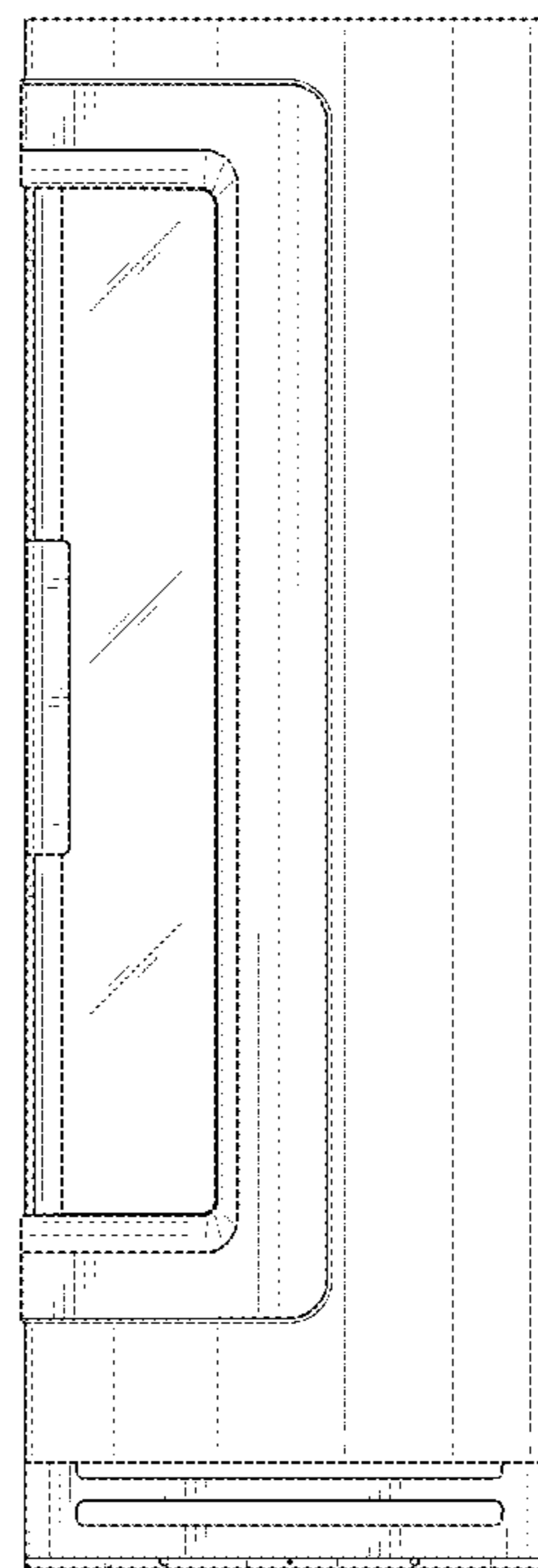
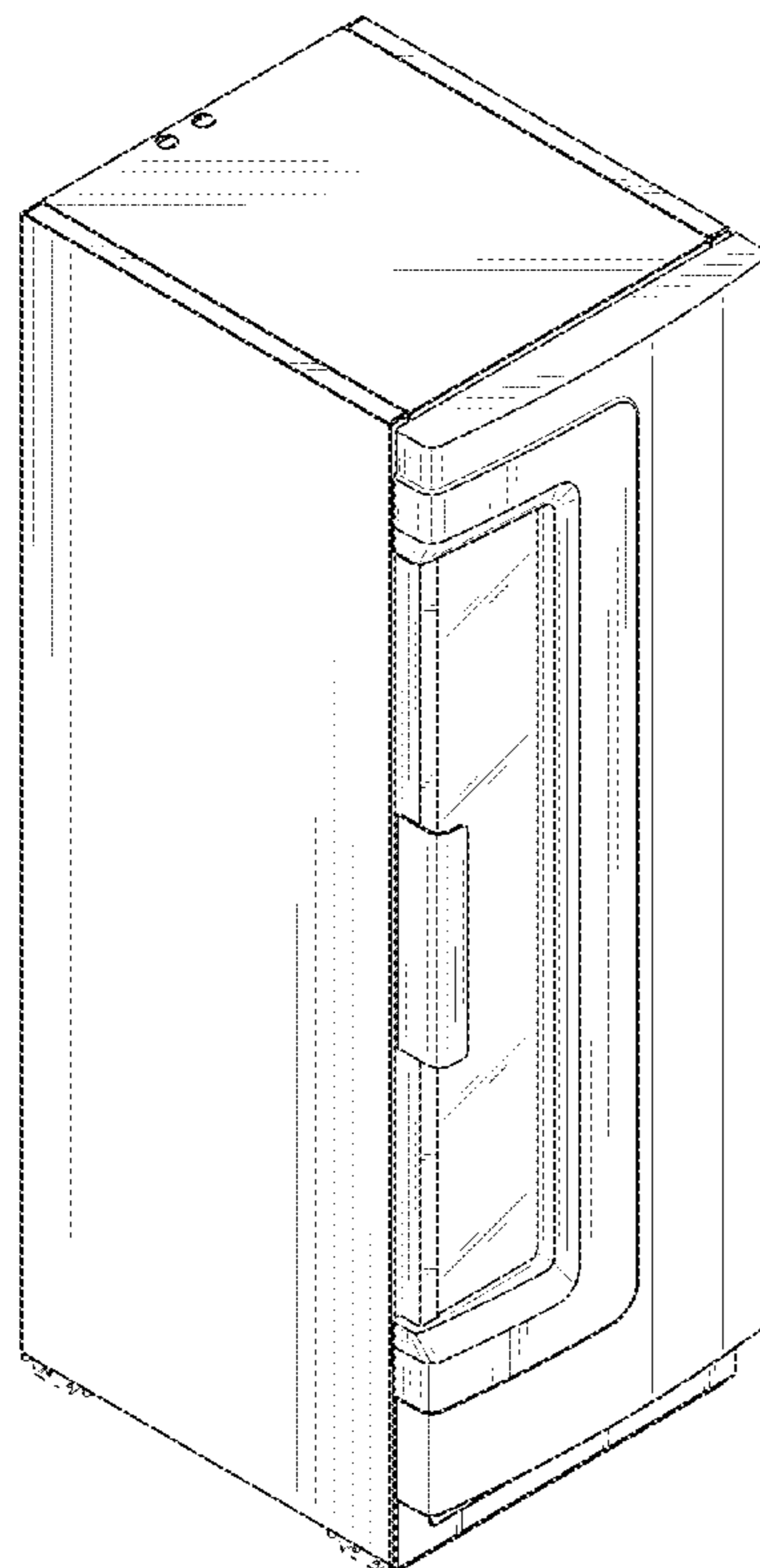
(57) **CLAIM**

The ornamental design for a refrigerator, as shown and described.

DESCRIPTION

FIG. 1 is a front, top perspective view of a refrigerator showing my new design;
FIG. 2 is a front elevation view thereof;
FIG. 3 is a right side elevation view thereof;
FIG. 4 is a left side elevation view thereof;
FIG. 5 is a top plan view thereof; and,
FIG. 6 is a bottom plan view thereof.
The broken line in the figure drawings represents unclaimed environment only and forms no part of the claimed design.

1 Claim, 5 Drawing Sheets



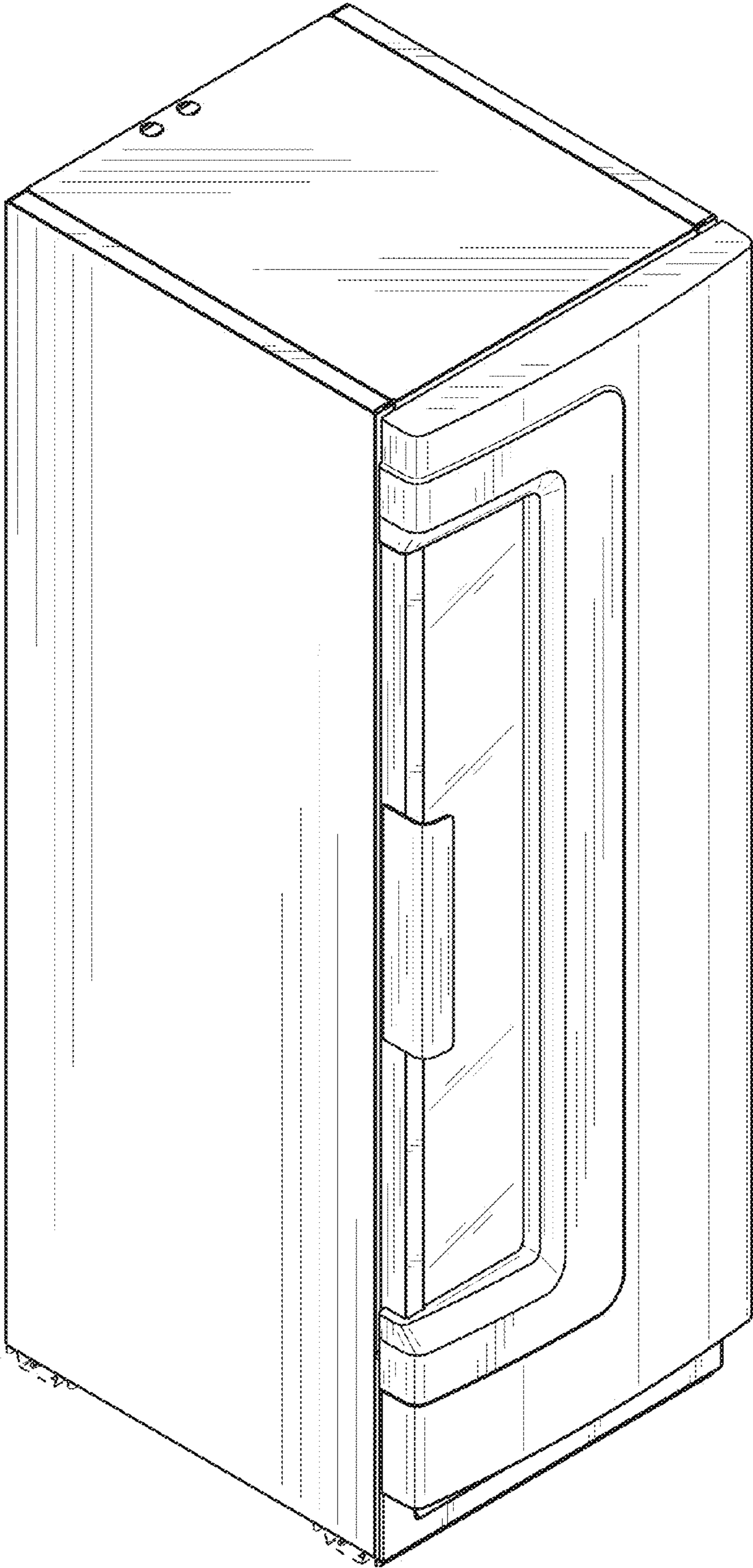


FIG. 1

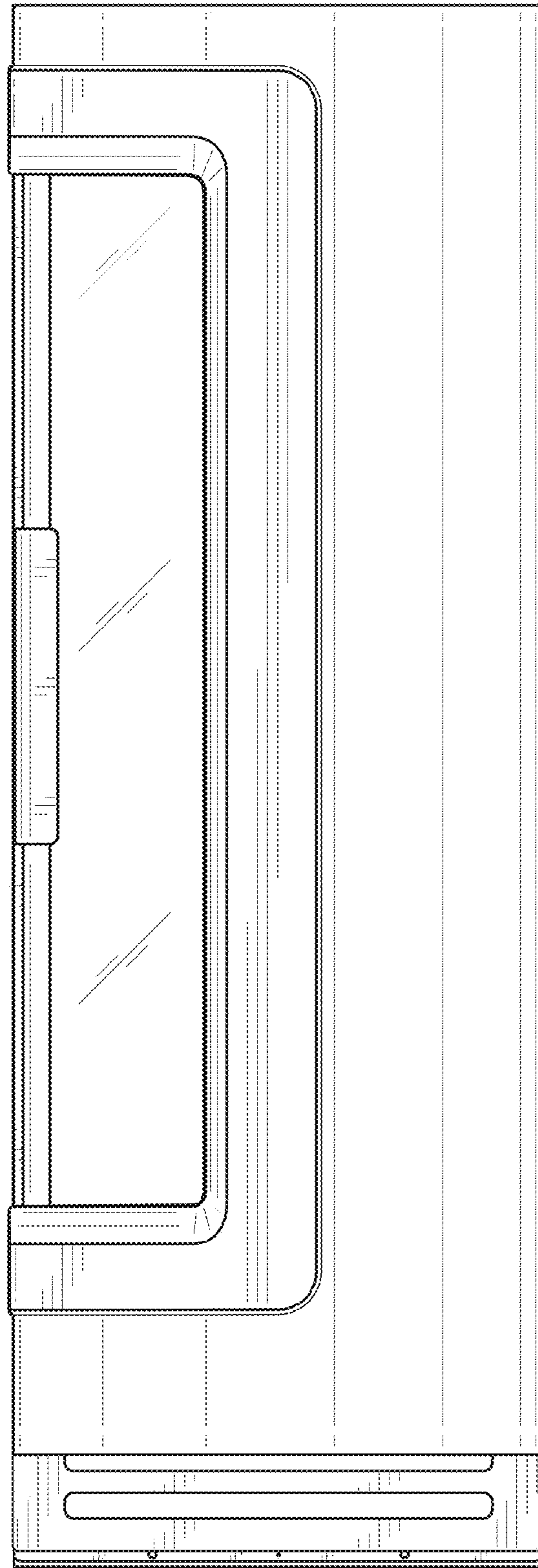


FIG. 2

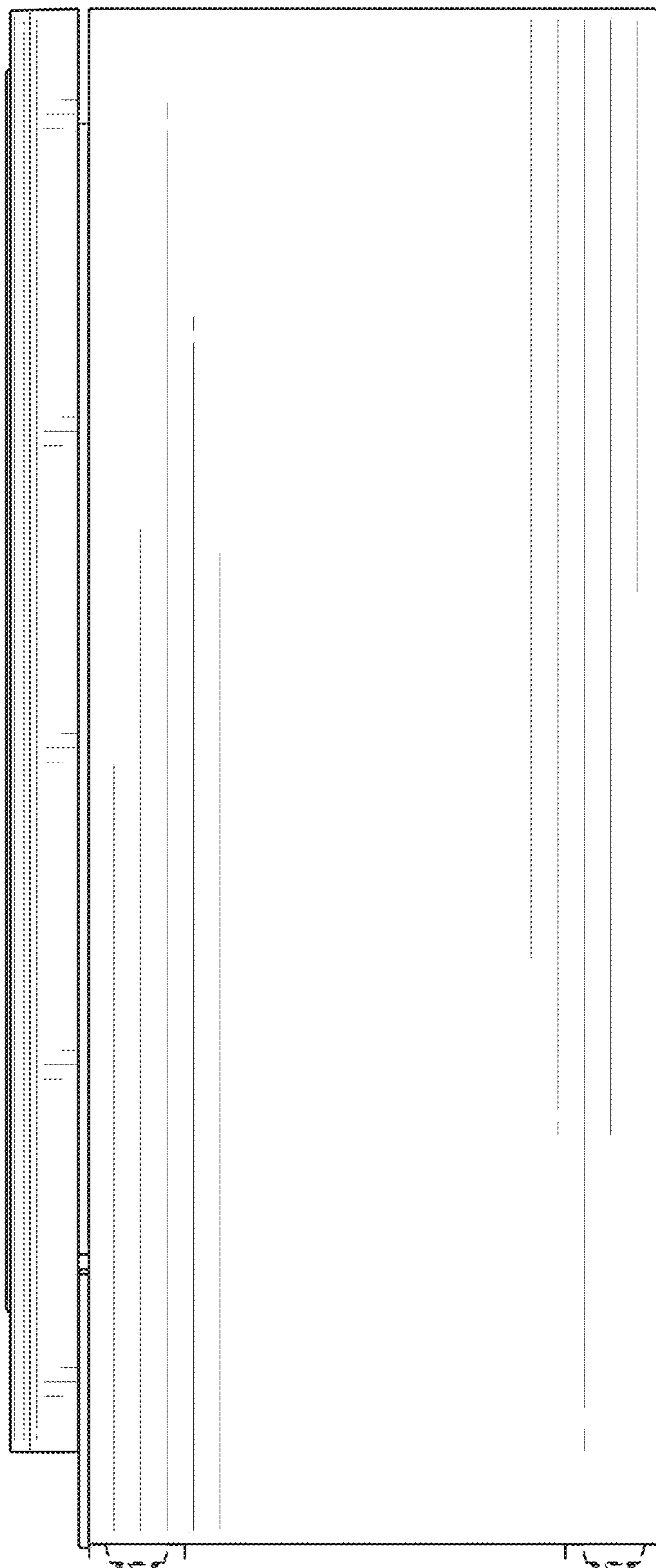


FIG. 3

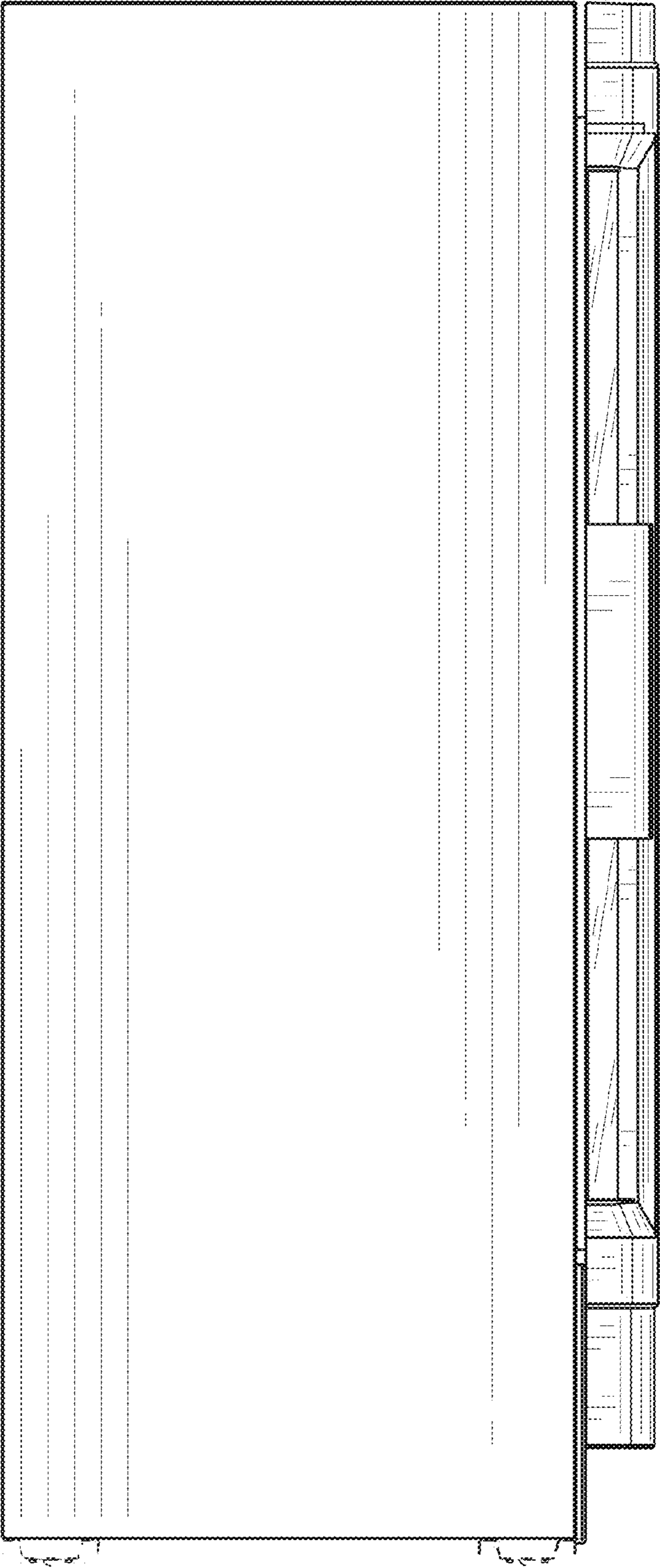


FIG. 4

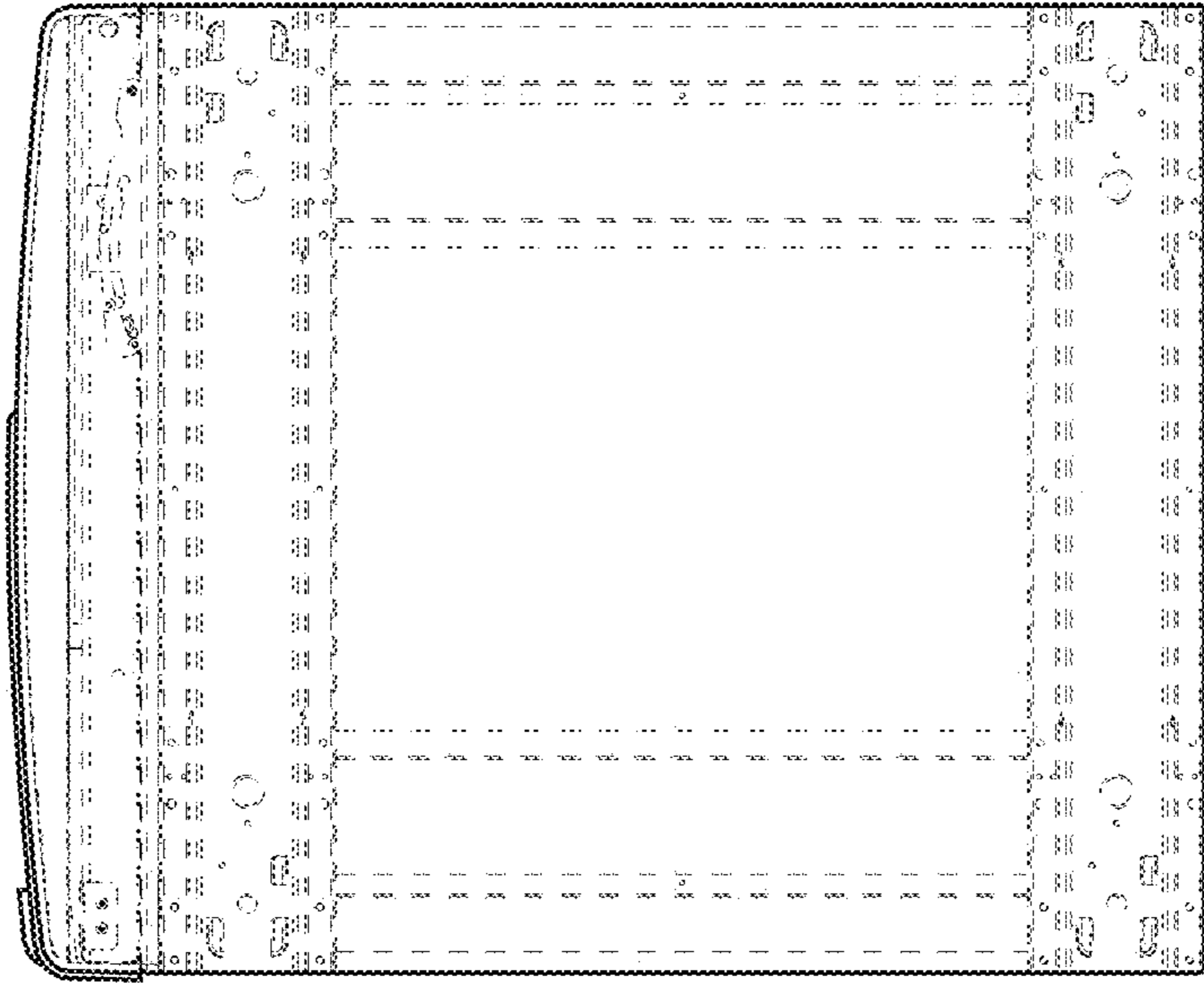


FIG. 5

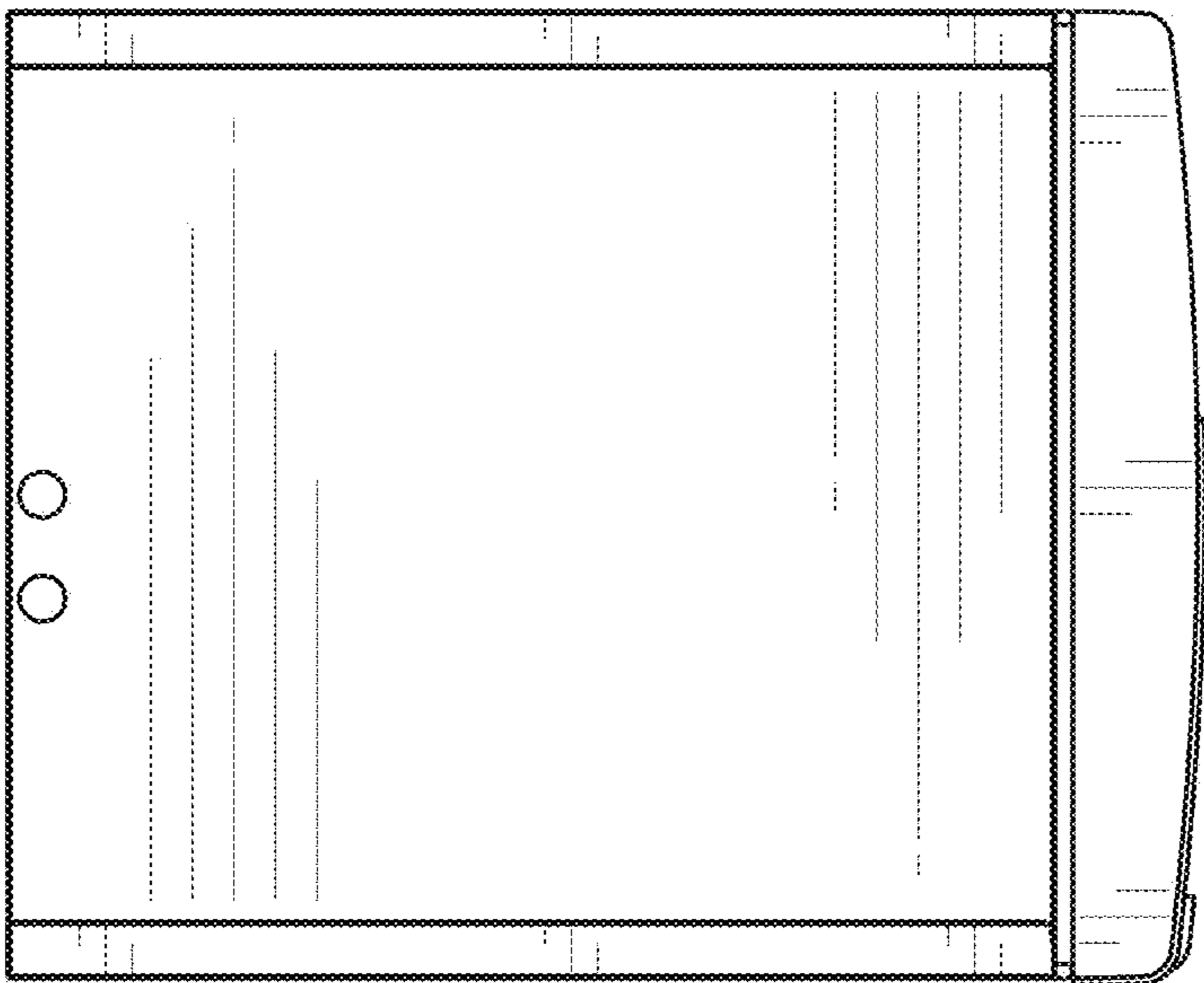


FIG. 6