



US00D748688S

(12) **United States Design Patent**
Sherman

(10) **Patent No.:** **US D748,688 S**
(45) **Date of Patent:** **** Feb. 2, 2016**

- (54) **SINGLE SERVING CUBE MAKER**
- (71) Applicant: **Jason Sherman**, Hallandale Beach, FL (US)
- (72) Inventor: **Jason Sherman**, Hallandale Beach, FL (US)
- (73) Assignee: **Beyond Zero, LLC**, Louisville, KY (US)
- (**) Term: **14 Years**
- (21) Appl. No.: **29/499,182**
- (22) Filed: **Aug. 12, 2014**
- (51) **LOC (10) Cl.** **15-07**
- (52) **U.S. Cl.**
USPC **D15/80**
- (58) **Field of Classification Search**
USPC D15/79, 80, 81, 82, 89; D7/306-308, D7/369-371
CPC F25B 21/02; F25B 2321/02; F25B 1/005; F25B 2321/0252; F25B 1/00; F25B 1/10; F25B 21/04; F25B 2339/047; F25B 5/02; F25B 7/00; F25B 13/00; F25B 1/053; F25B 2309/06; F25B 2321/021; F25B 2321/023; F25D 23/028; F25D 23/02; F25D 25/025; F25D 23/00; F25D 2323/021; F25D 11/00; F25D 2323/024; F25D 23/04; F25D 29/00; F25D 25/02; F25D 25/024; F25D 27/005; F25D 23/12; F25D 29/005; F25D 17/042; F25D 2325/021

See application file for complete search history.

(56) **References Cited**

U.S. PATENT DOCUMENTS

D647,926 S *	11/2011	Jones et al.	D15/79
D703,703 S *	4/2014	Tussy	D15/83
D704,234 S *	5/2014	Tussy	D15/83
D728,294 S *	5/2015	Huang	D7/305
D729,565 S *	5/2015	Starr et al.	D7/301

* cited by examiner

Primary Examiner — Daniel Bui

Assistant Examiner — Khawaja Anwar

(74) *Attorney, Agent, or Firm* — Christopher & Weisberg, P.A.

(57) **CLAIM**

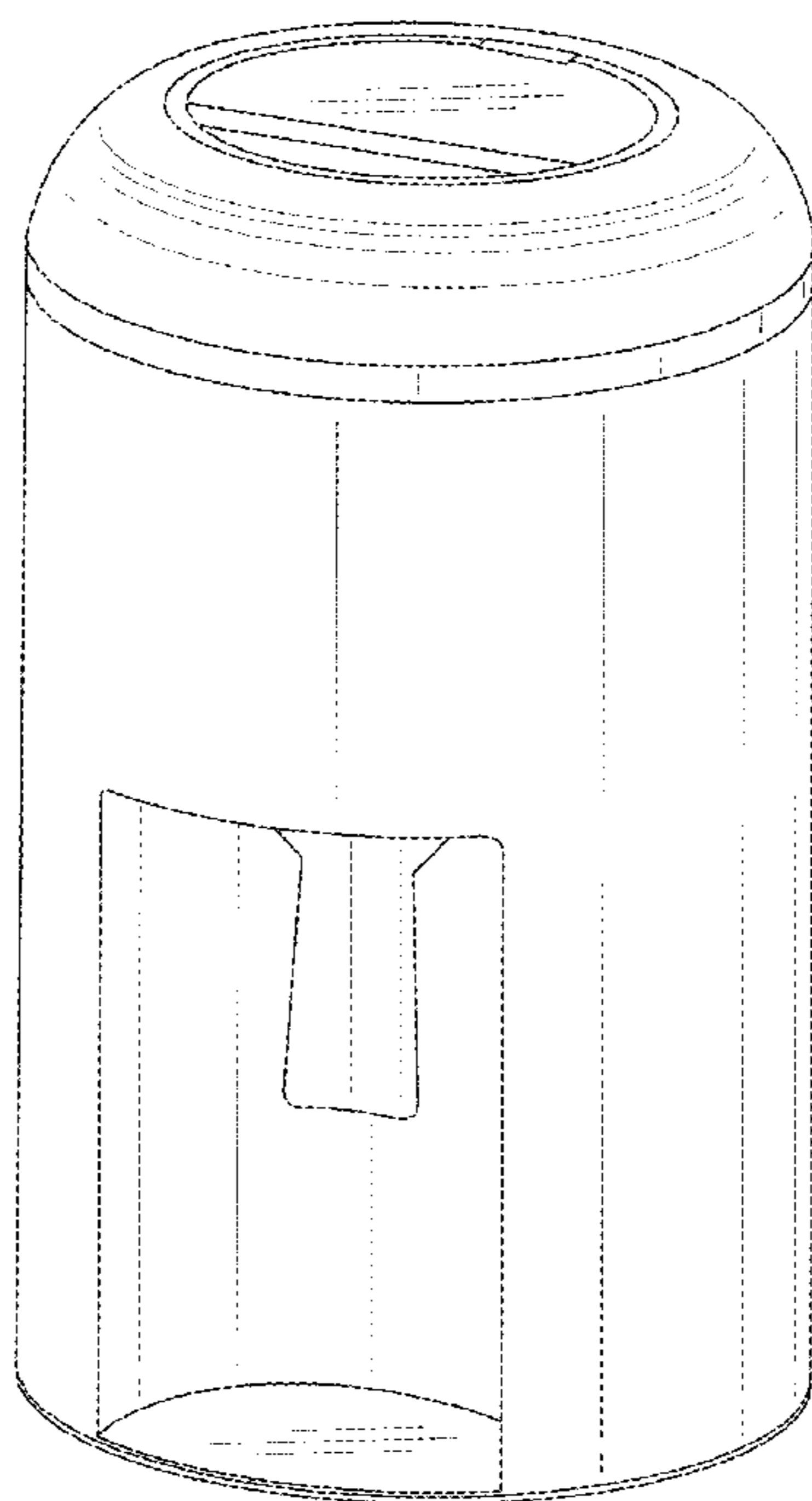
The ornamental design for a single serving cube maker, as shown and described.

DESCRIPTION

FIG. 1 is a perspective view of a compact cube maker, showing my new design;
 FIG. 2 is a front elevation view thereof;
 FIG. 3 is a rear elevation view thereof;
 FIG. 4 is a right side elevation view thereof;
 FIG. 5 is a left side elevation view thereof;
 FIG. 6 is a top plan view thereof; and,
 FIG. 7 is bottom plan view thereof.

The broken line in the figure drawings represents unclaimed environment only and forms no part of the claimed design.

1 Claim, 7 Drawing Sheets



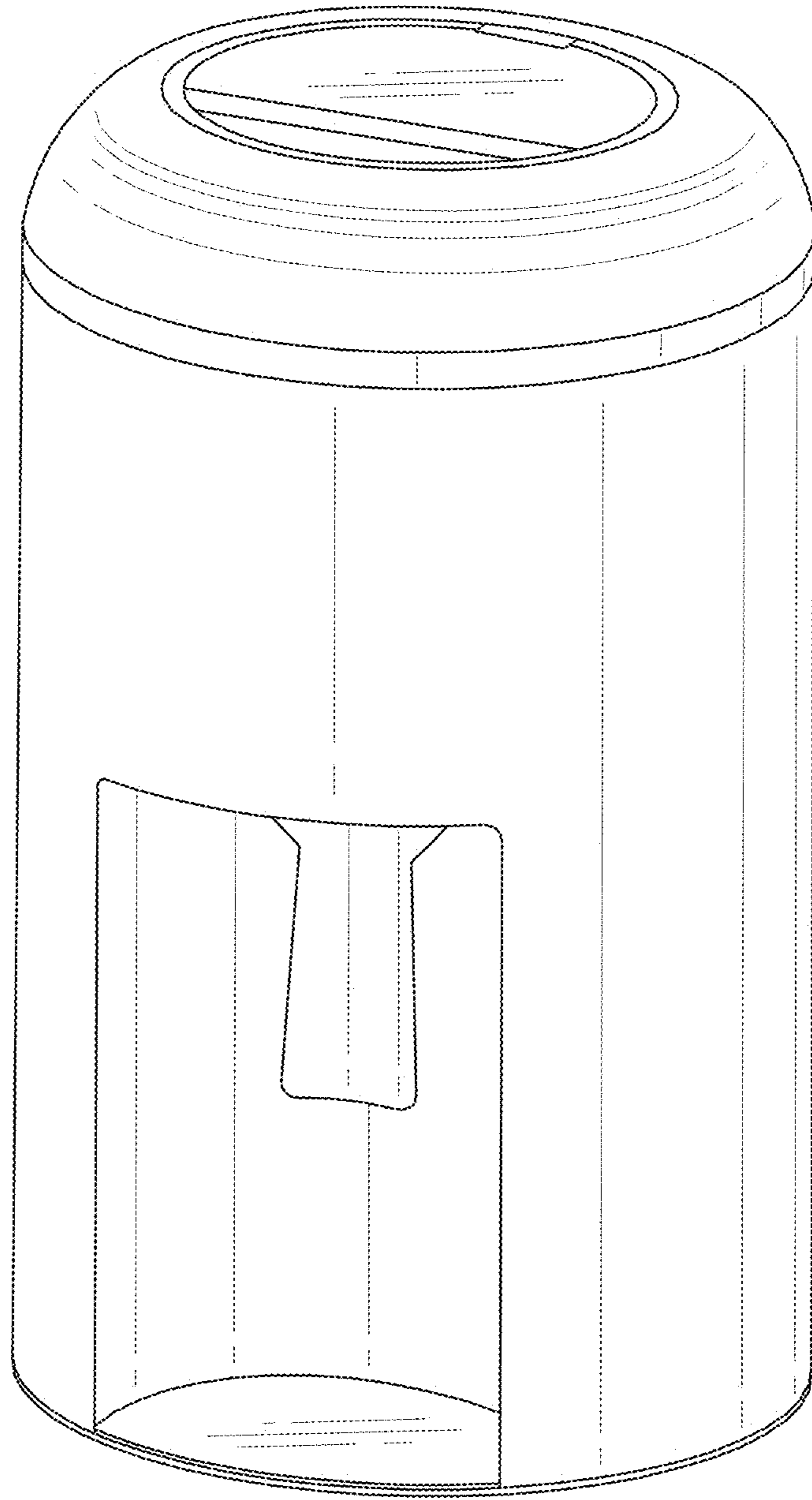


FIG. 1

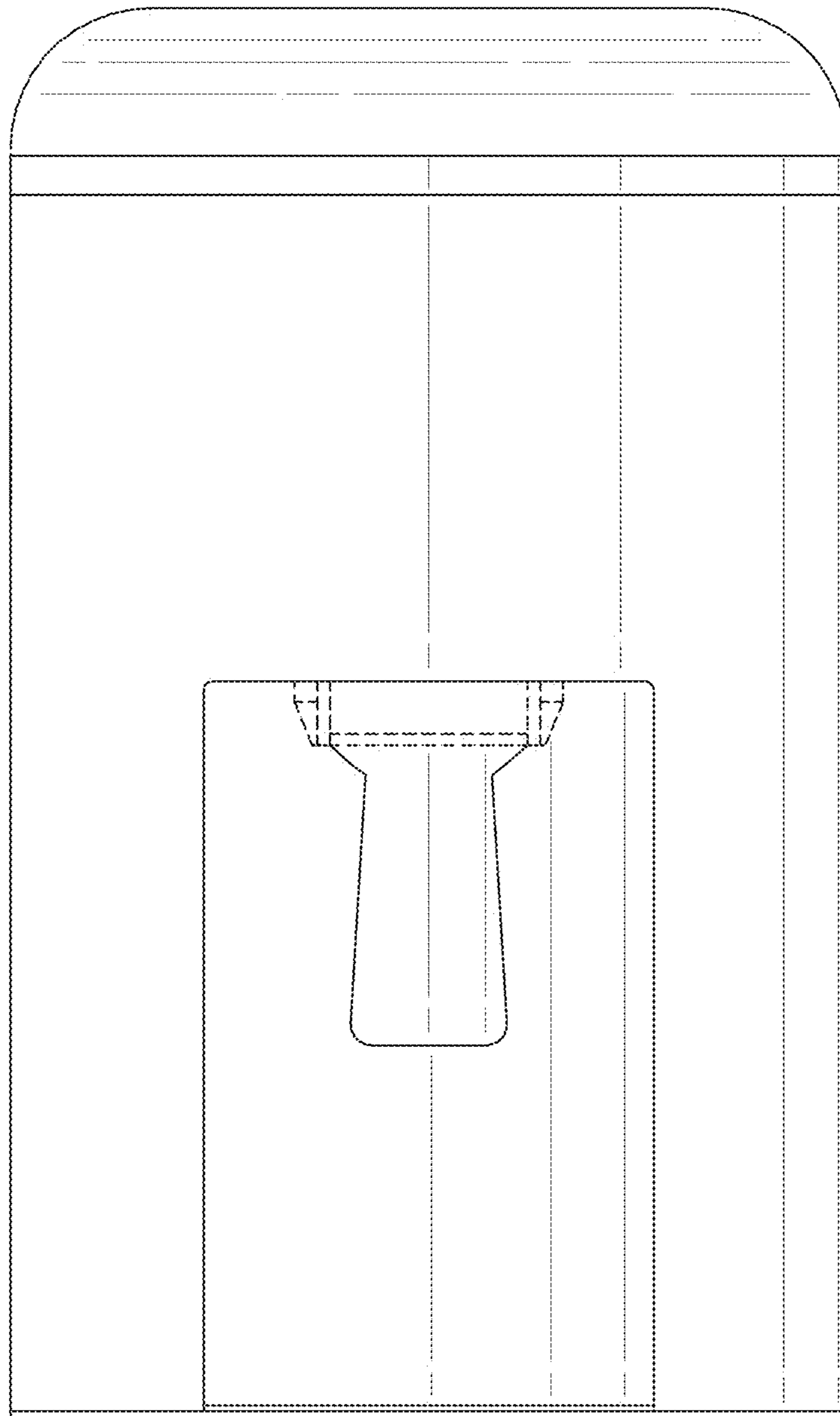


FIG. 2

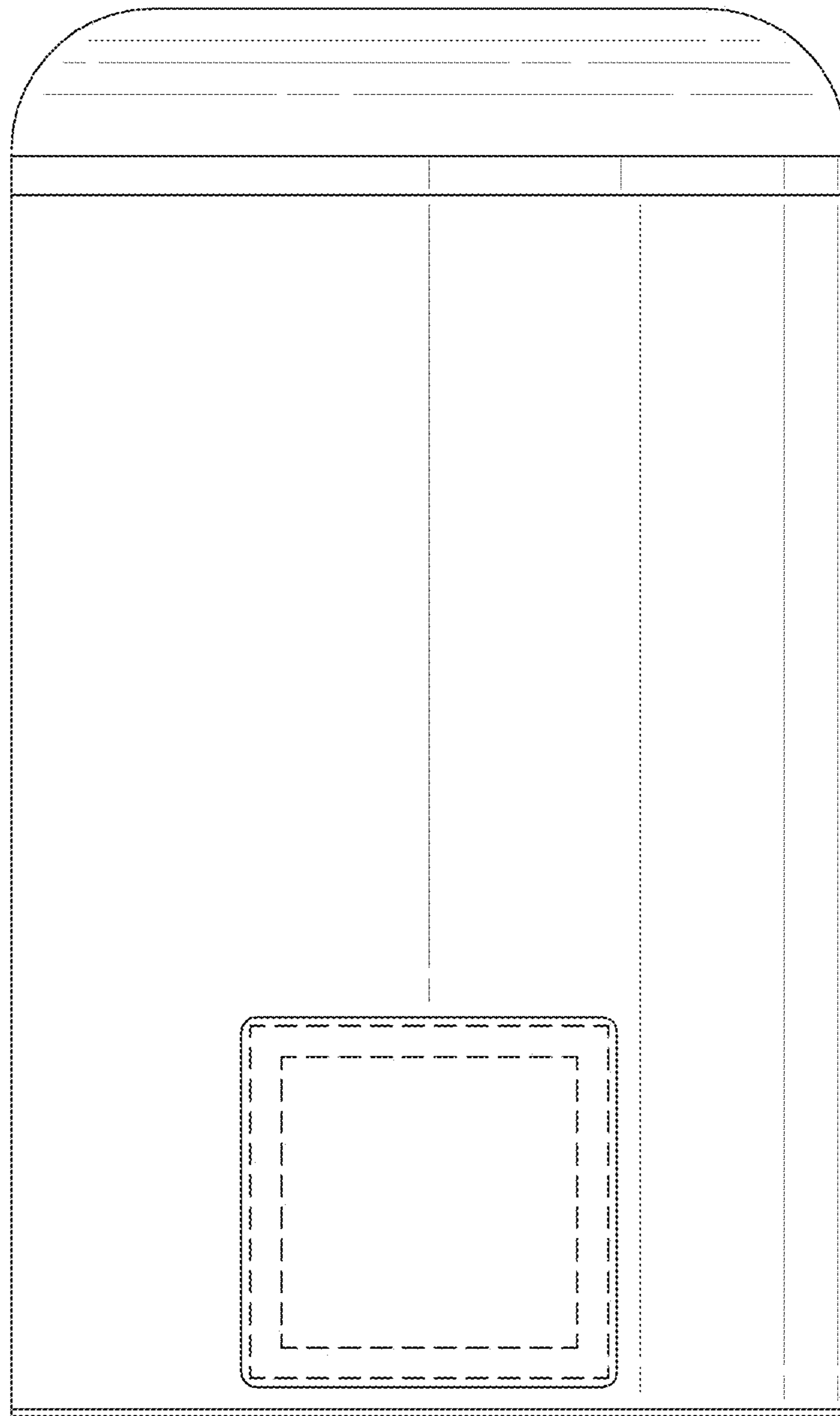


FIG. 3

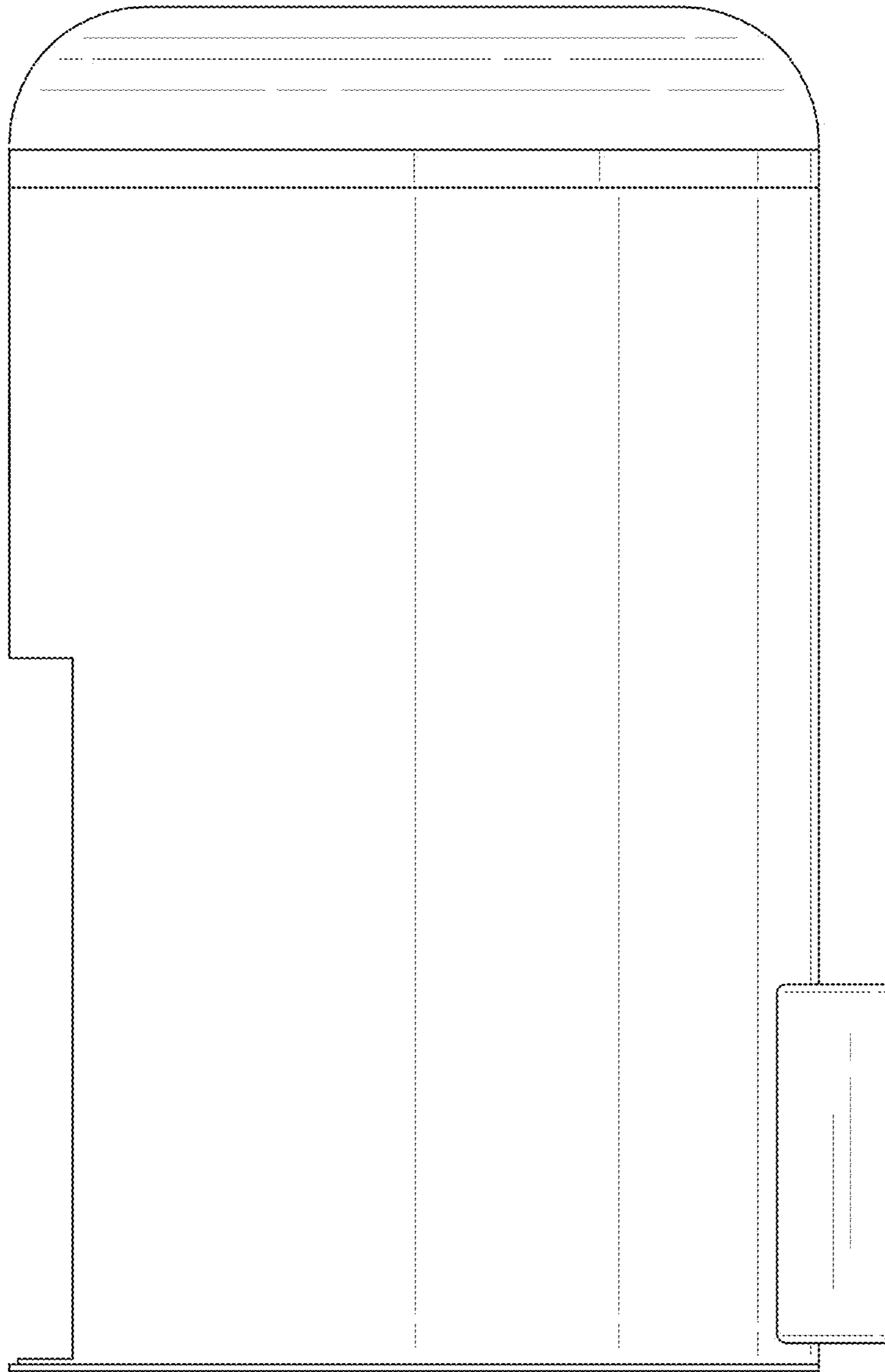


FIG. 4

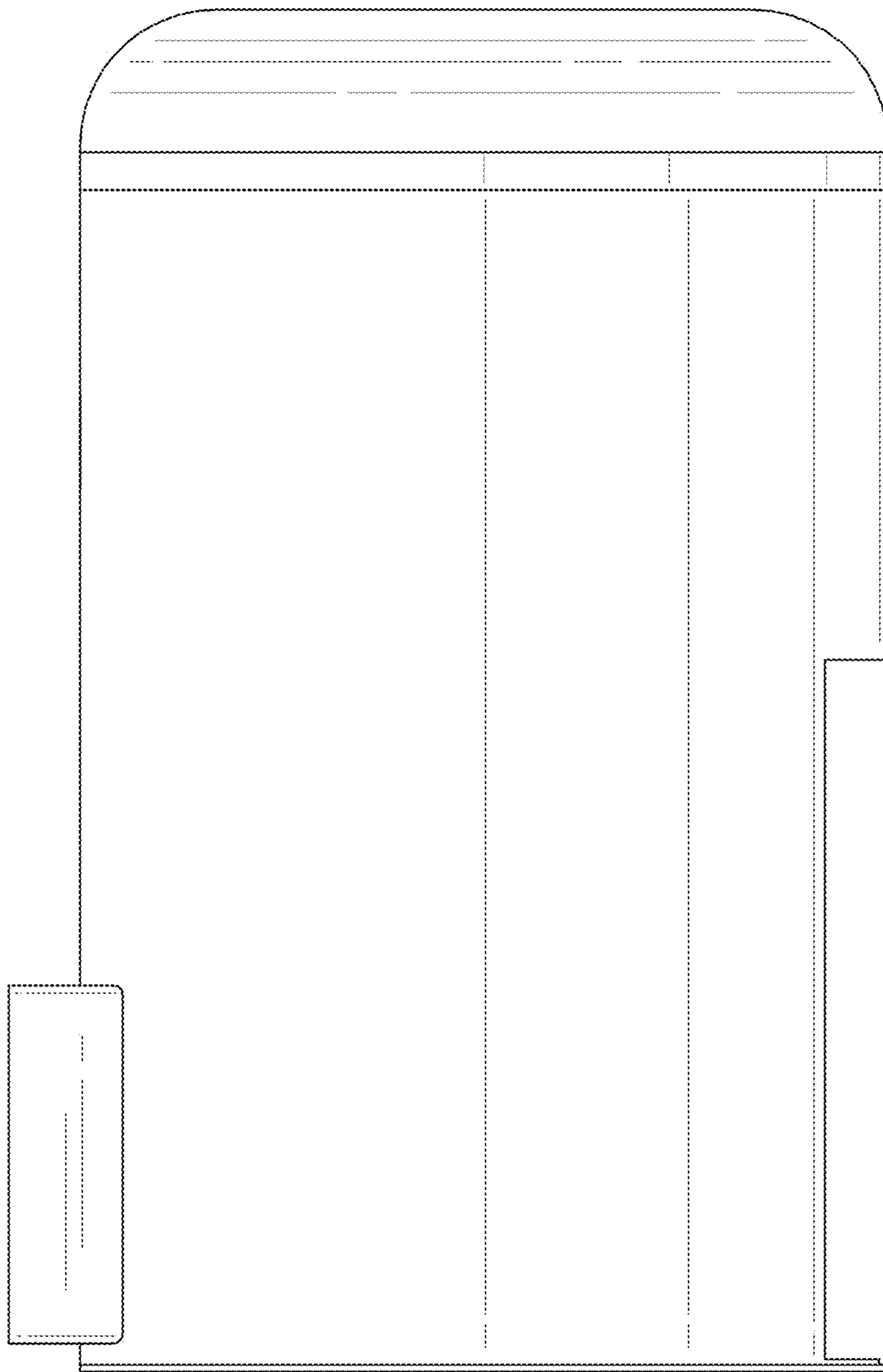


FIG. 5

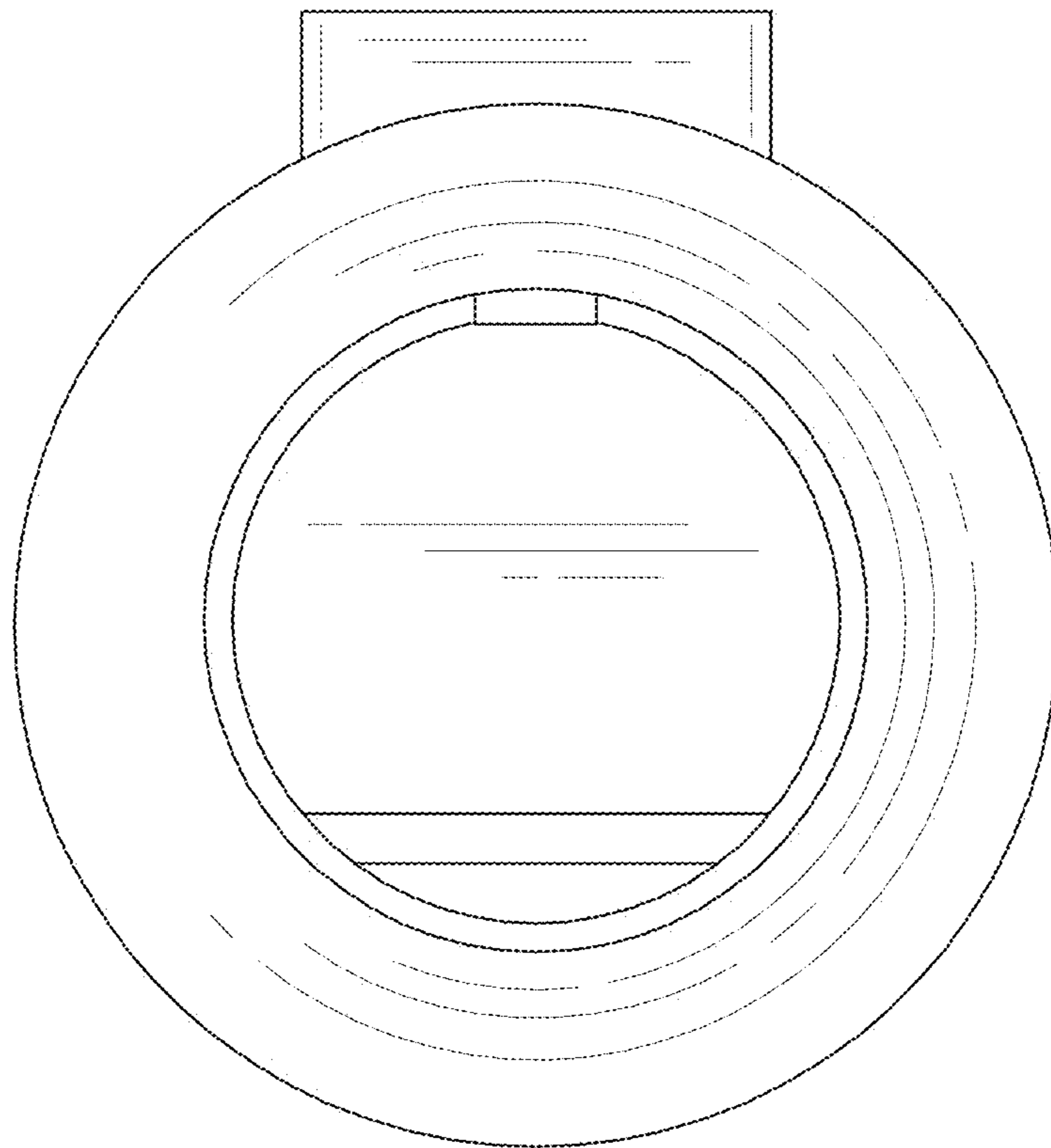


FIG. 6

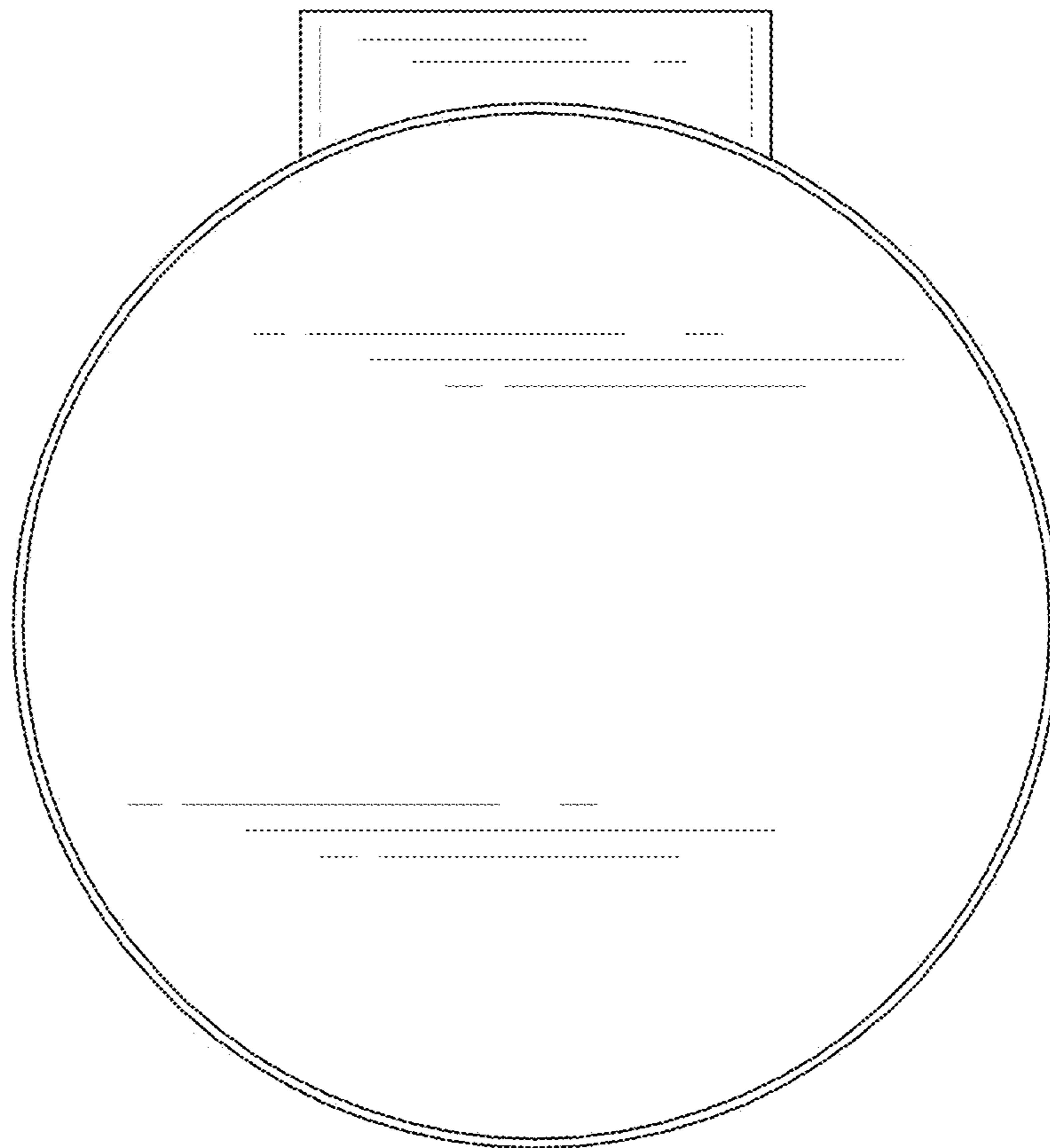


FIG. 7