



US00D748686S

(12) **United States Design Patent**
Higashikawa

(10) **Patent No.:** **US D748,686 S**

(45) **Date of Patent:** **** Feb. 2, 2016**

- (54) **RIDING LAWN MOWER**
- (71) Applicant: **Kubota Corporation**, Osaka-shi (JP)
- (72) Inventor: **Yoshitaka Higashikawa**, Sakai (JP)
- (73) Assignee: **Kubota Corporation**, Osaka (JP)
- (**) Term: **14 Years**
- (21) Appl. No.: **29/511,867**
- (22) Filed: **Dec. 15, 2014**

D537,455 S *	2/2007	Kuwae	D15/31
D591,777 S *	5/2009	Kokitkar	D15/31
D663,752 S *	7/2012	Hickman	D15/31
D663,753 S *	7/2012	Hickman	D15/31
D665,428 S *	8/2012	Hickman	D15/31
D665,429 S *	8/2012	Hickman	D15/31
D691,642 S	10/2013	Fujiwara	

- (30) **Foreign Application Priority Data**
- Jun. 17, 2014 (JP) 2014-013073
- (51) **LOC (10) Cl.** **15-03**
- (52) **U.S. Cl.**
- USPC **D15/31**
- (58) **Field of Classification Search**
- USPC D15/10, 11, 13-17, 22-26, 28, 31;
D12/173; 56/13.3, 13.4, 15.8, 15.9,
56/320.1; 180/89.1, 89.12, 900, 69.2,
180/68.1, 69.1
- CPC E02F 9/0891; E02F 9/00; B62D 25/10;
Y10T 29/49902
- See application file for complete search history.

FOREIGN PATENT DOCUMENTS

JP	D1239950 S	5/2005
JP	D1239951 S	5/2005
JP	D1239952 S	5/2005
JP	D1239953 S	5/2005
JP	D1239954 S	5/2005
JP	D1239955 S	5/2005
JP	D1239956 S	5/2005

* cited by examiner

Primary Examiner — Mark Goodwin

(74) *Attorney, Agent, or Firm* — The Webb Law Firm

(57) **CLAIM**

The ornamental design for a riding lawn mower, as shown and described.

DESCRIPTION

FIG. 1 is a front view of a riding lawn mower showing my new design;
 FIG. 2 is a rear view thereof;
 FIG. 3 is a left side view thereof;
 FIG. 4 is a top view thereof;
 FIG. 5 is a bottom view thereof;
 FIG. 6 is a perspective view thereof; and,
 FIG. 7 is an enlarged left side view of a portion thereof defined by area 7-7 of FIG. 3.
 The broken line showings of FIGS. 1-7 are environmental only and not part of the claimed design.

(56) **References Cited**
U.S. PATENT DOCUMENTS

D458,945 S *	6/2002	Hohnl	D15/31
D460,465 S *	7/2002	Williams	D15/31
D465,500 S *	11/2002	Workman	D15/31
D466,531 S *	12/2002	Hohnl	D15/31
D473,570 S *	4/2003	Kuwae	D15/15
D474,206 S *	5/2003	Kuwae	D15/31
D532,021 S	11/2006	Kuwae et al.	
D532,022 S	11/2006	Kuwae	

1 Claim, 7 Drawing Sheets

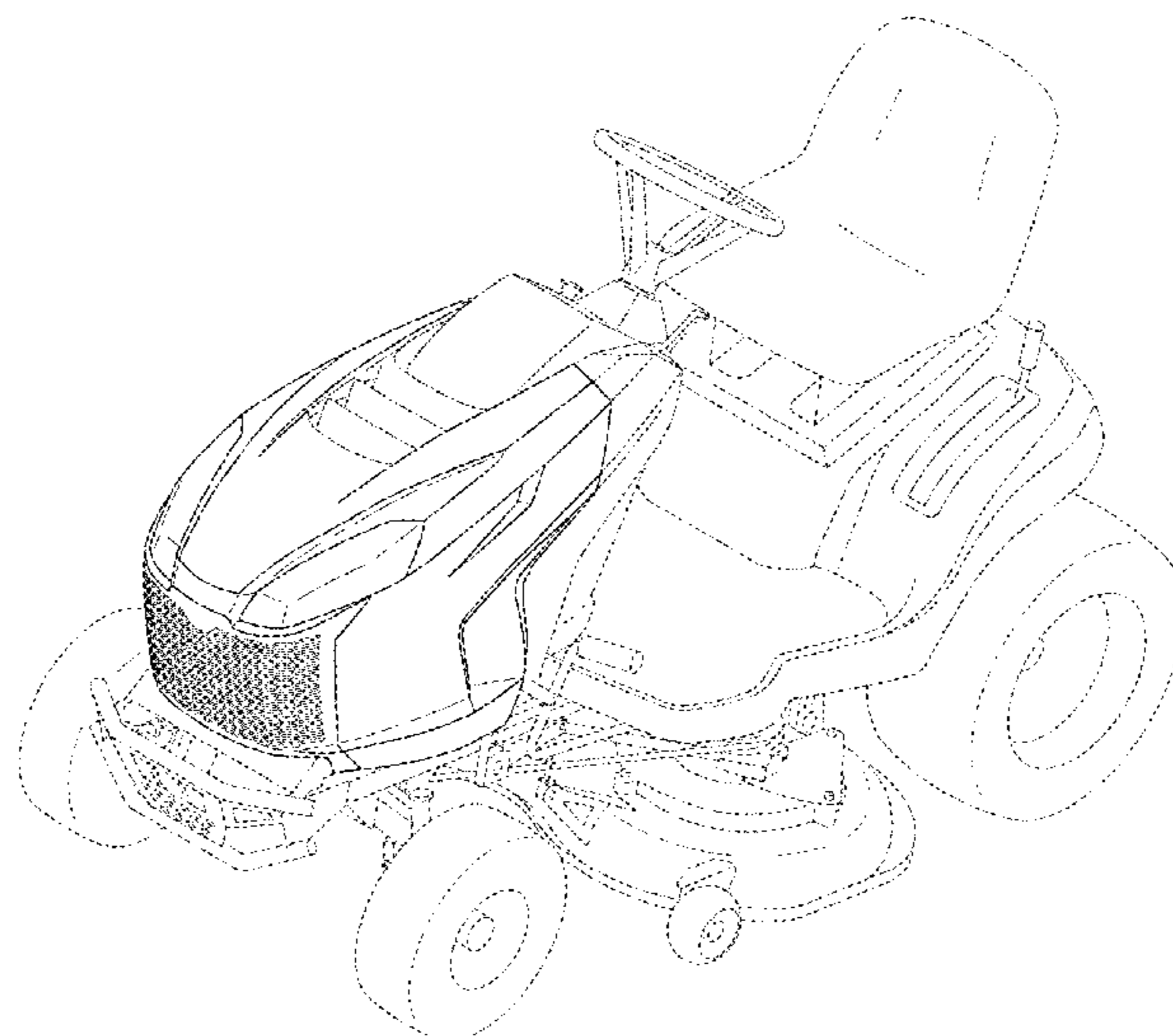


FIG. 1

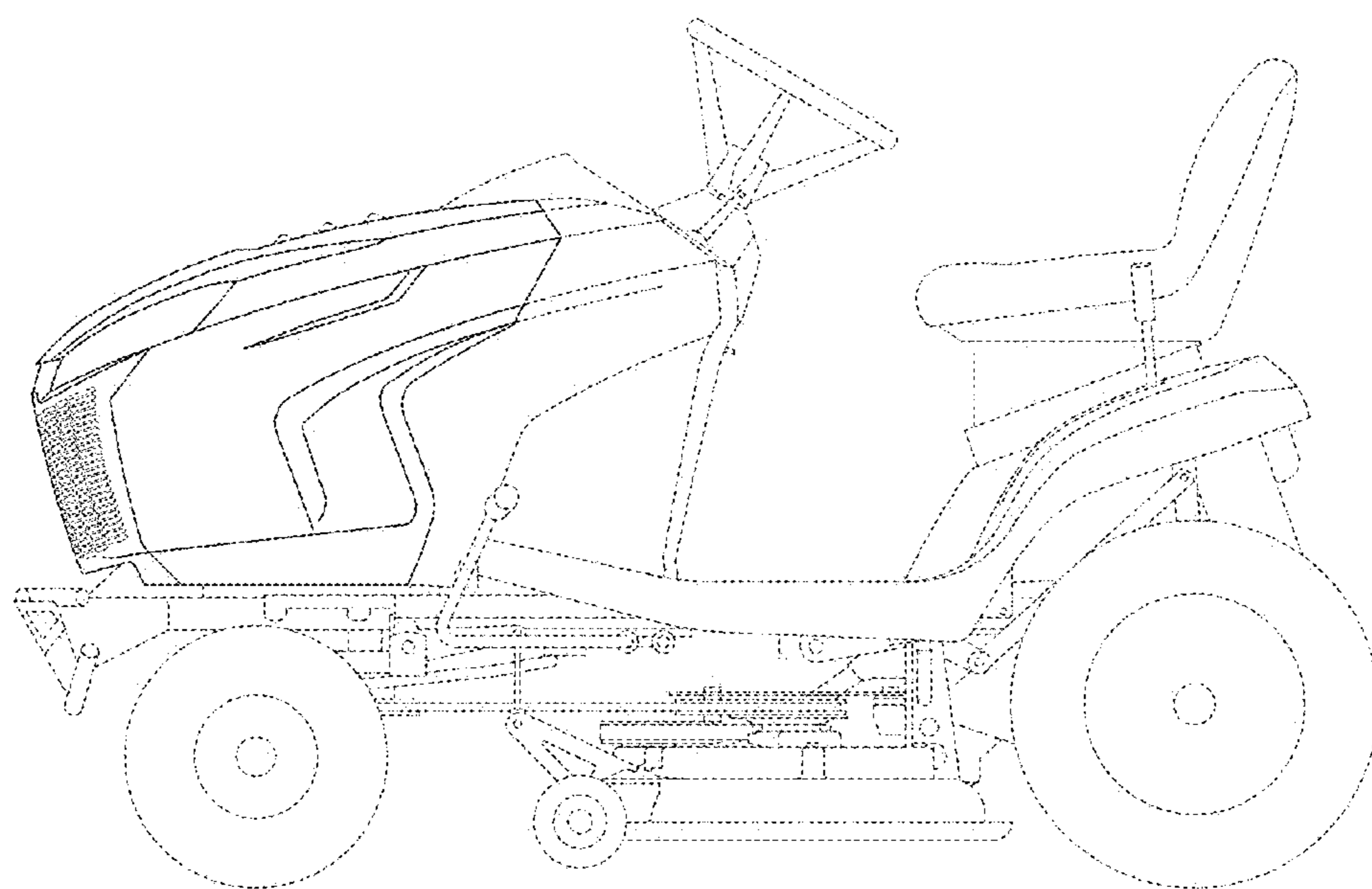


FIG. 2

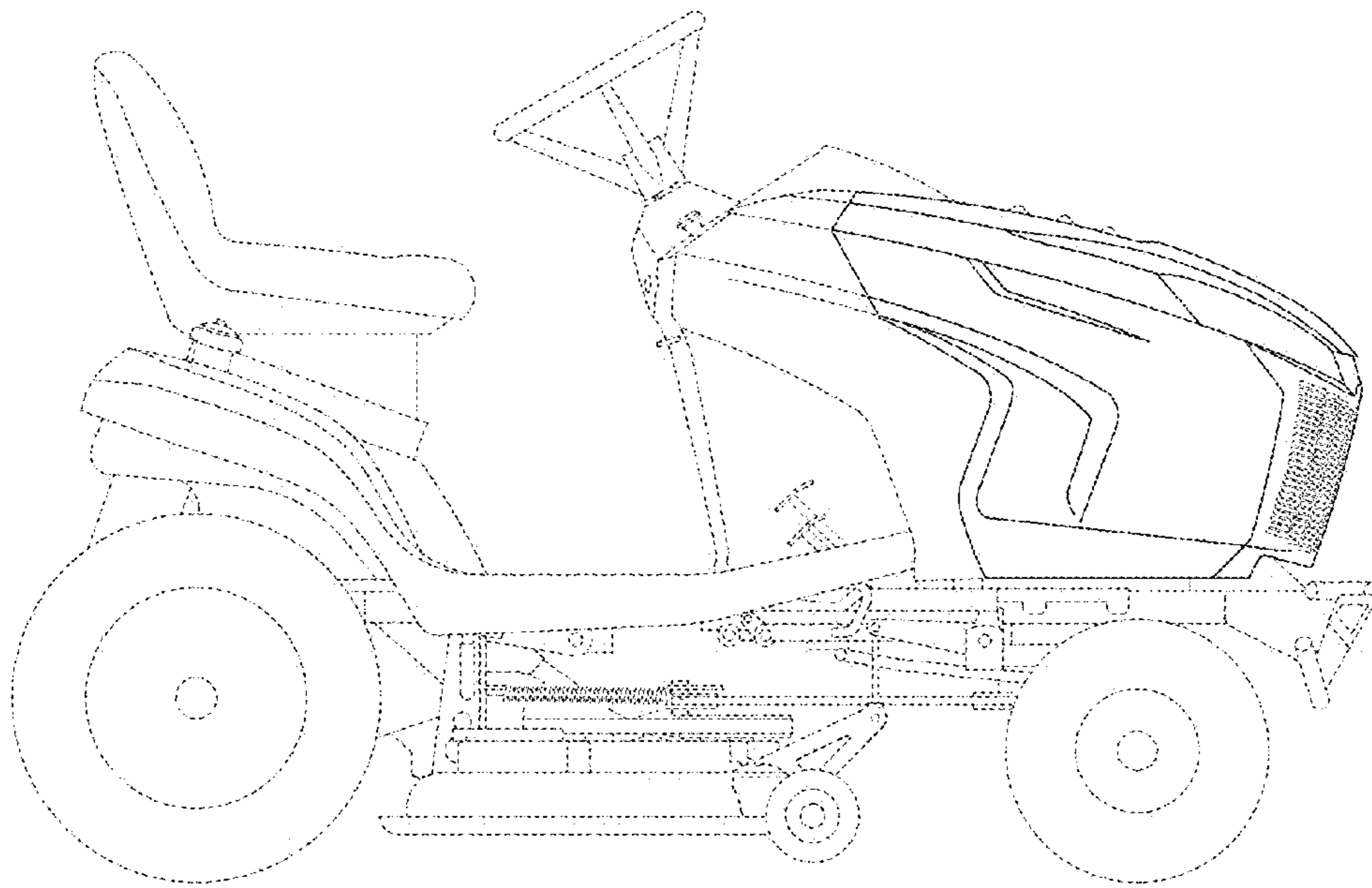


FIG. 3

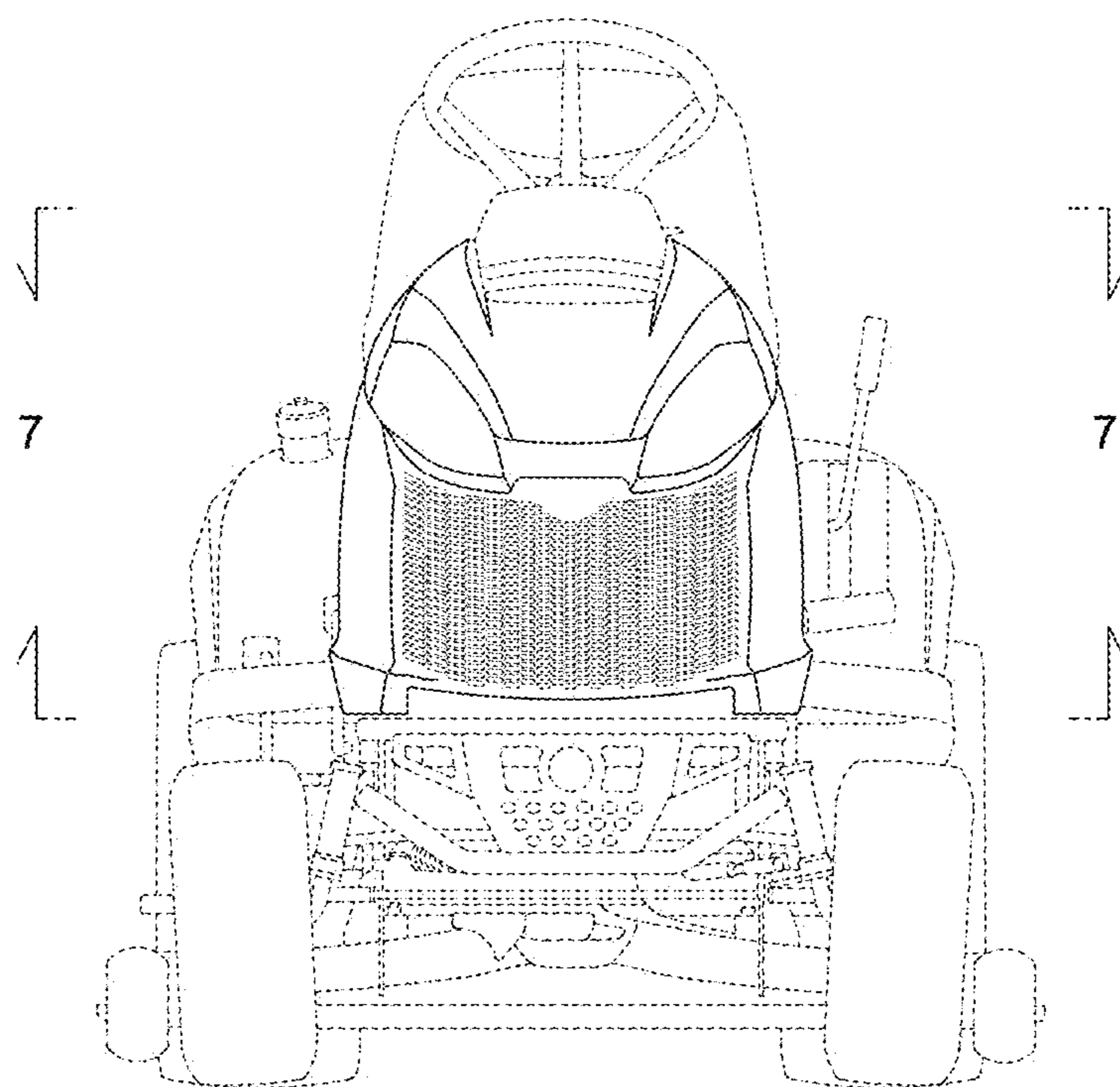


FIG. 4

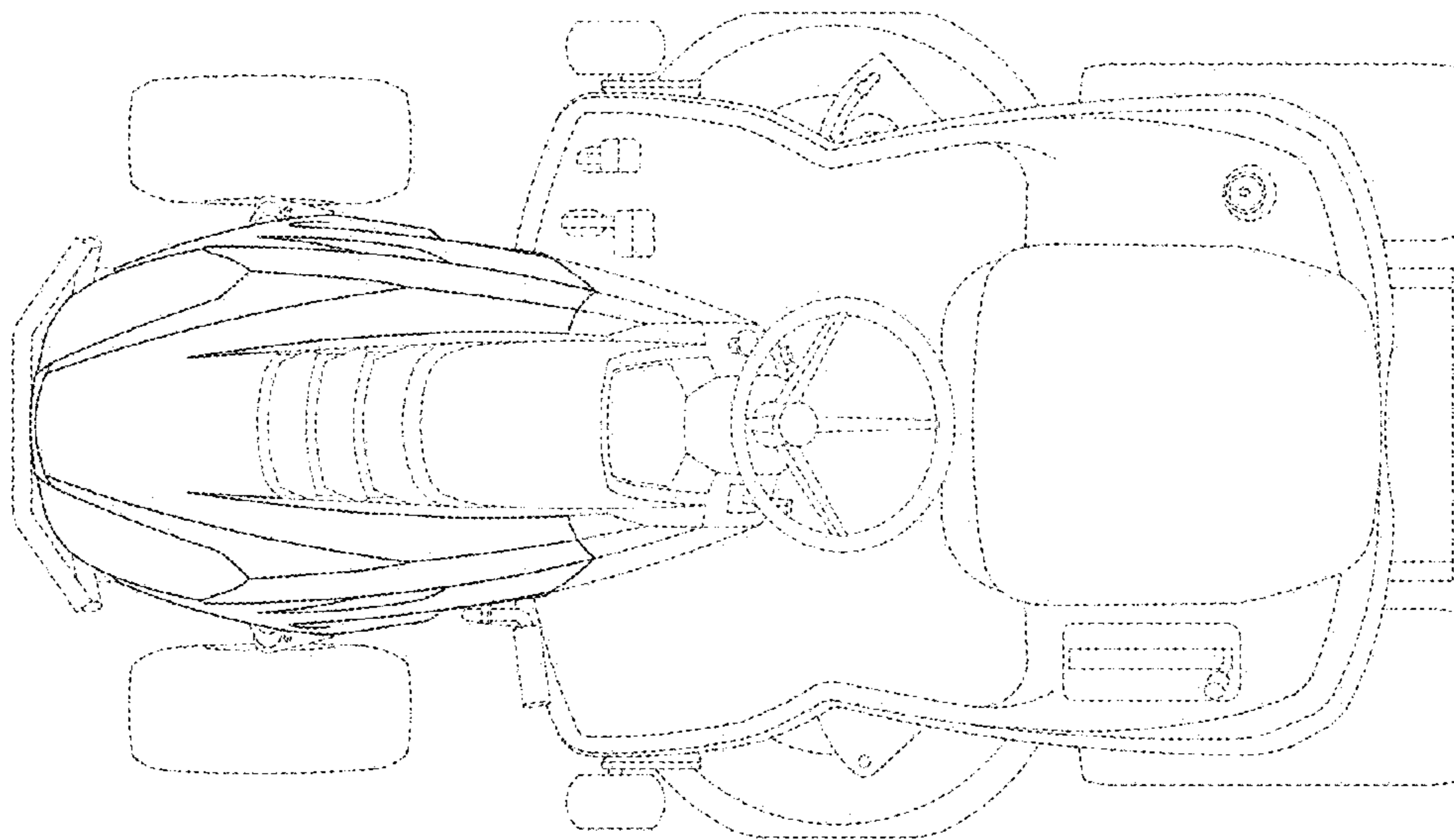


FIG. 5

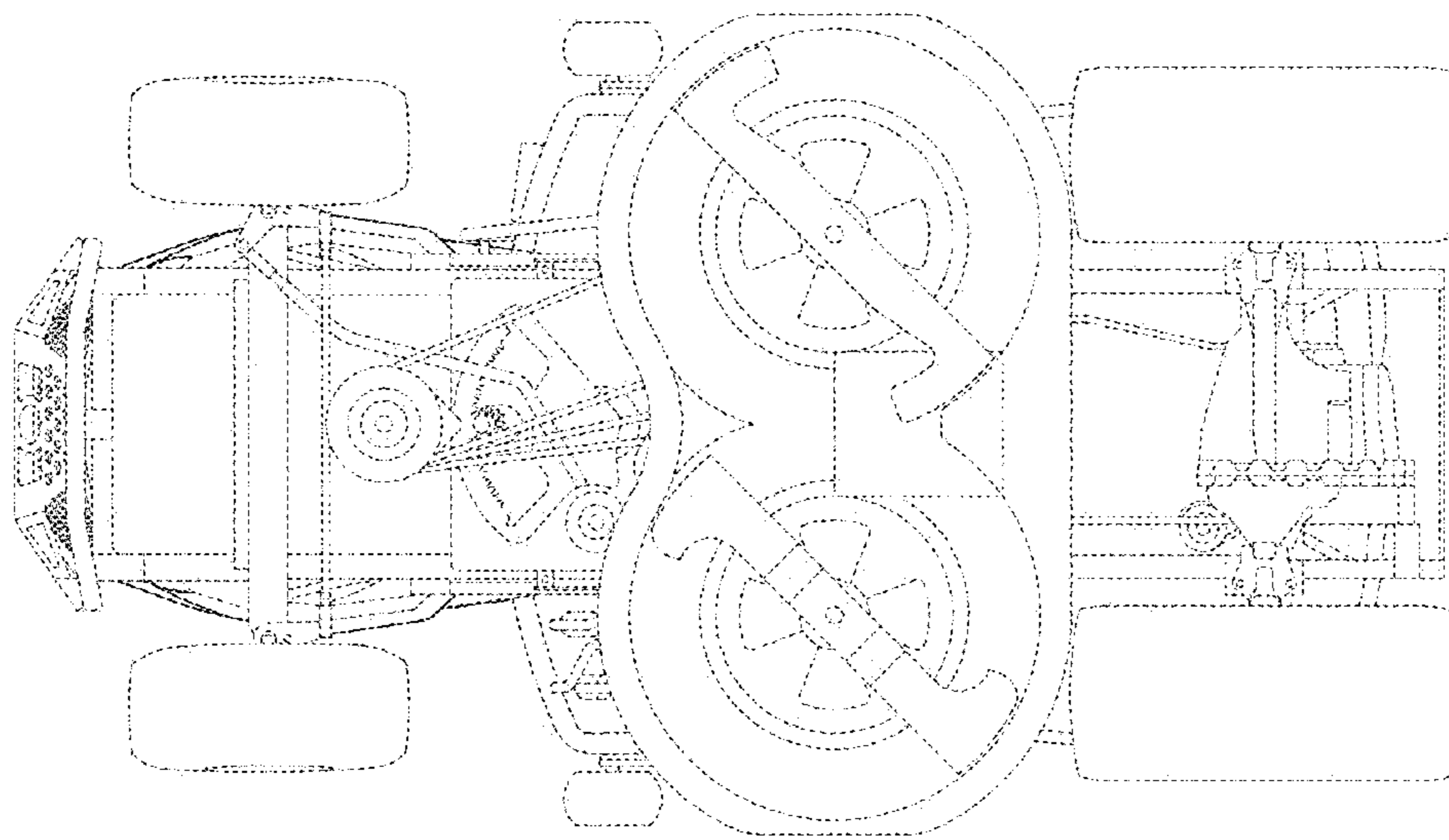


FIG. 6

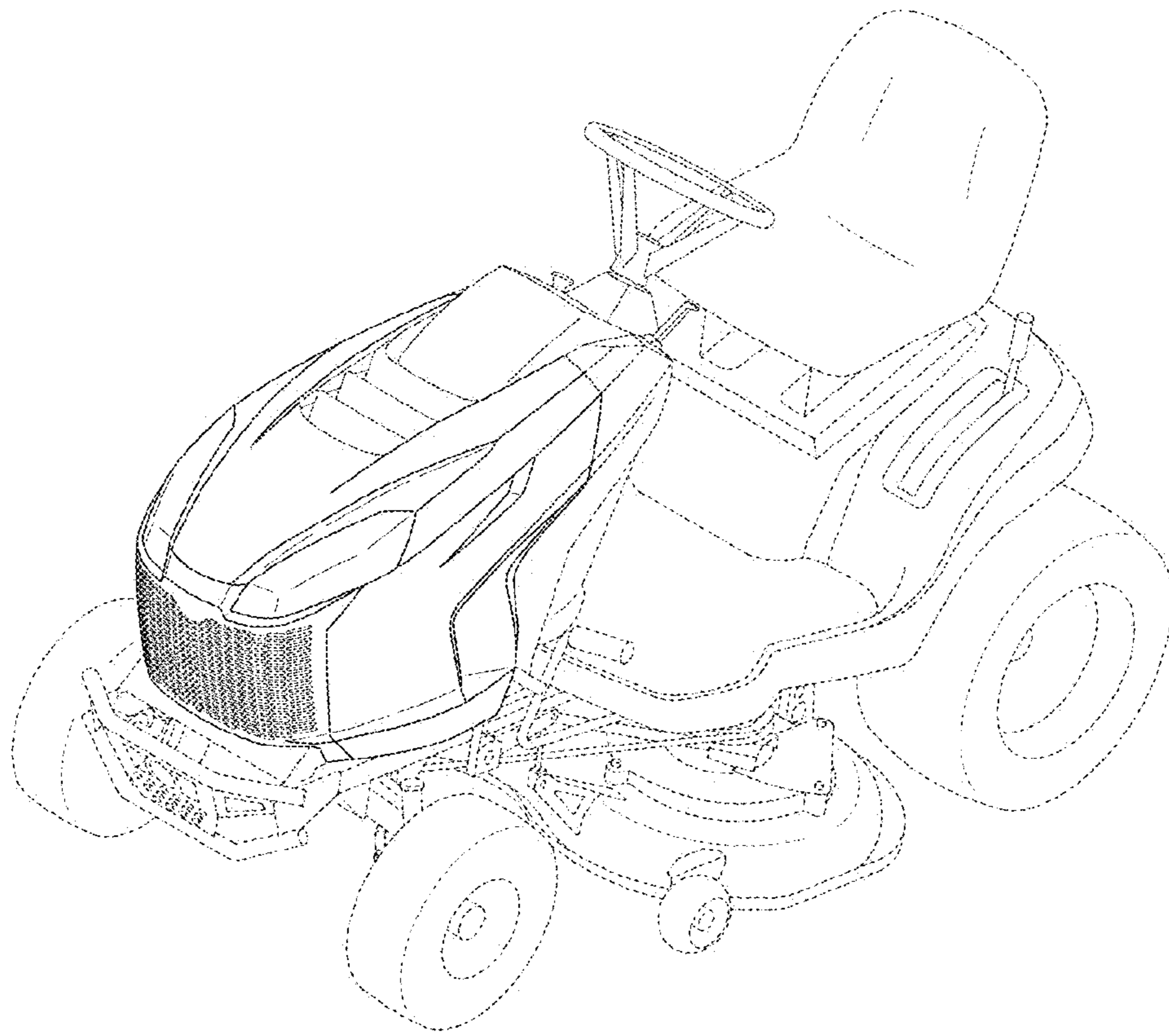


FIG. 7

