



US00D748677S

(12) **United States Design Patent**
Kushita et al.

(10) **Patent No.:** **US D748,677 S**
(45) **Date of Patent:** **** Feb. 2, 2016**

(54) **TRACTOR**

(71) Applicant: **Kubota Corporation**, Osaka-shi (JP)

(72) Inventors: **Yoshihiro Kushita**, Sakai (JP);
Masatoshi Iwamoto, Sakai (JP); **Koichi Hasegawa**, Sakai (JP); **Syunsuke Sonoda**, Sakai (JP)

(73) Assignee: **Kubota Corporation**, Osaka (JP)

(**) Term: **14 Years**

(21) Appl. No.: **29/511,884**

(22) Filed: **Dec. 15, 2014**

(30) **Foreign Application Priority Data**

Jun. 20, 2014 (JP) 2014-013491

(51) **LOC (10) Cl.** **15-03**

(52) **U.S. Cl.**
USPC **D15/26**

(58) **Field of Classification Search**
USPC D15/10, 14, 15, 22-26, 33; 180/69.2,
180/89.1, 89.12, 900; 56/12.7, 15.8, 16.7,
56/13.3, 10.1, 202, 320.1
CPC A01B 51/026; B62D 49/02; B62D 33/06;
B62D 33/0604; B62D 33/0617; B62D 25/10;
B60K 15/063; B60K 15/073; B60K 2015/0637

See application file for complete search history.

(56) **References Cited**

U.S. PATENT DOCUMENTS

D274,524 S *	7/1984	Koval	D15/23
D387,068 S *	12/1997	Kato	D15/23
D391,581 S *	3/1998	Kato	D15/23
D440,234 S *	4/2001	Katoh	D15/23
D498,245 S *	11/2004	Kuwae	D15/23
D515,105 S *	2/2006	Wang	D15/22
D519,131 S *	4/2006	Kuwae	D15/23
D527,026 S *	8/2006	Kuwae	D15/23
D555,674 S *	11/2007	Kuwae	D15/23
D564,544 S *	3/2008	Higashikawa	D15/23
D668,270 S	10/2012	Kushita et al.	
D675,233 S	1/2013	Kushita et al.	
D675,234 S	1/2013	Kushita	
D697,536 S *	1/2014	Nuebel	D15/23
D729,281 S *	5/2015	Carter	D15/23

* cited by examiner

Primary Examiner — Mark Goodwin

(74) *Attorney, Agent, or Firm* — The Webb Law Firm

(57) **CLAIM**

The ornamental design for a tractor, as shown and described.

DESCRIPTION

FIG. 1 is a front view of a tractor showing our new design;
FIG. 2 is a rear view thereof;
FIG. 3 is a left side view thereof;
FIG. 4 is a right side view thereof;
FIG. 5 is a top view thereof;
FIG. 6 is a front perspective view thereof; and,
FIG. 7 is a rear perspective view thereof.

A bottom view is omitted because it is plain and unornamental and forms no part of the subject matter of the claimed design.

1 Claim, 7 Drawing Sheets



Fig.1

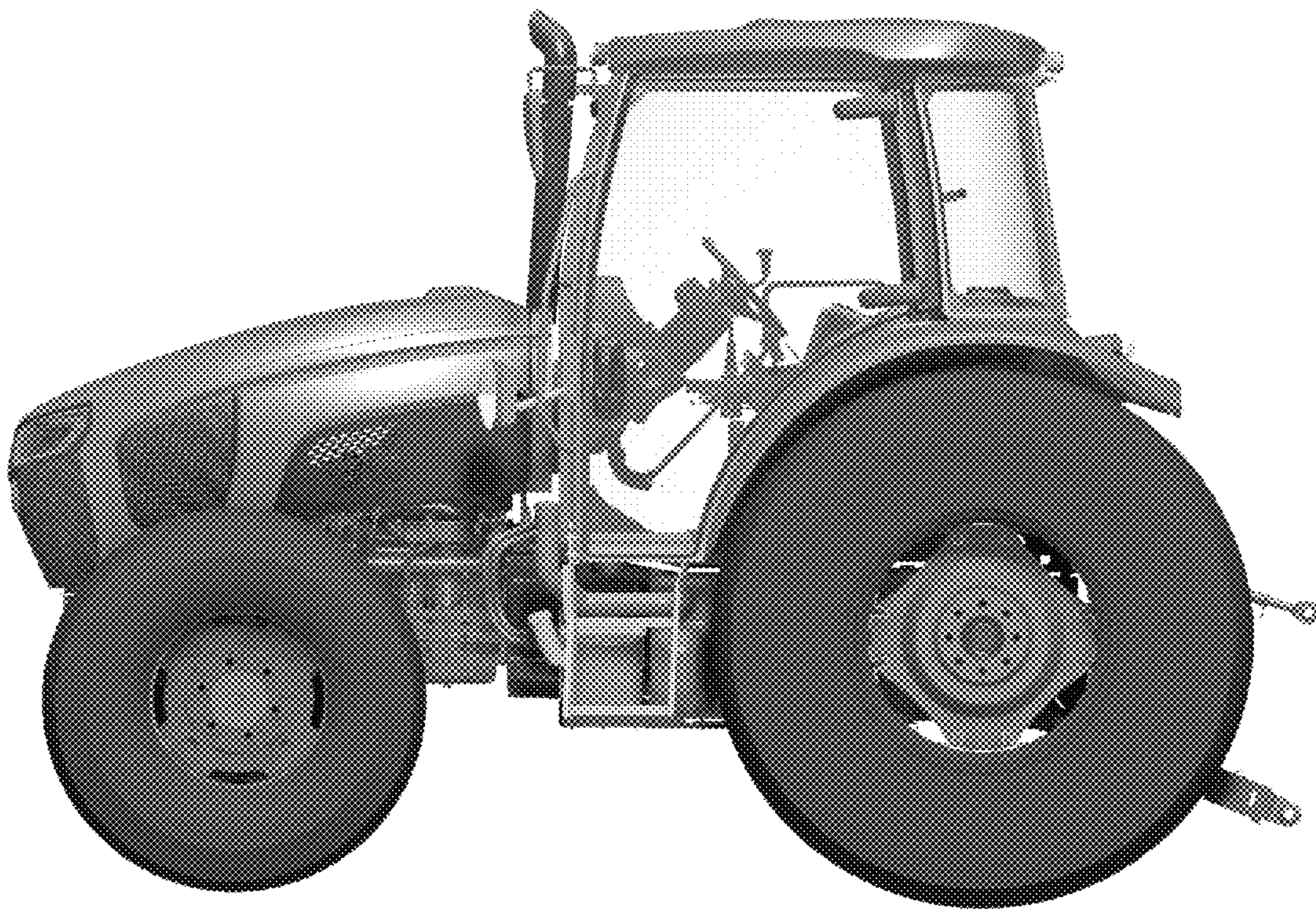


Fig.2

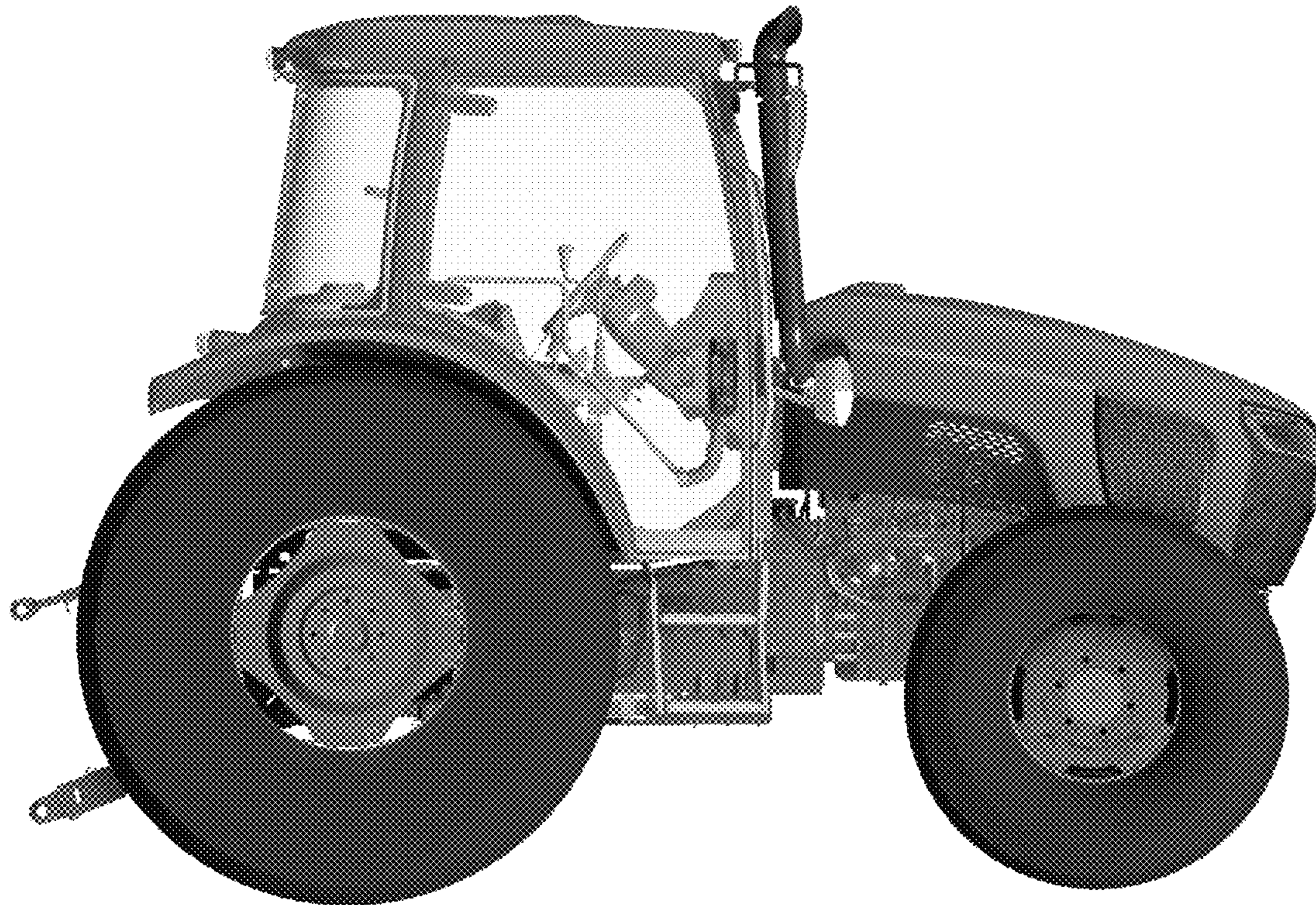


Fig.3

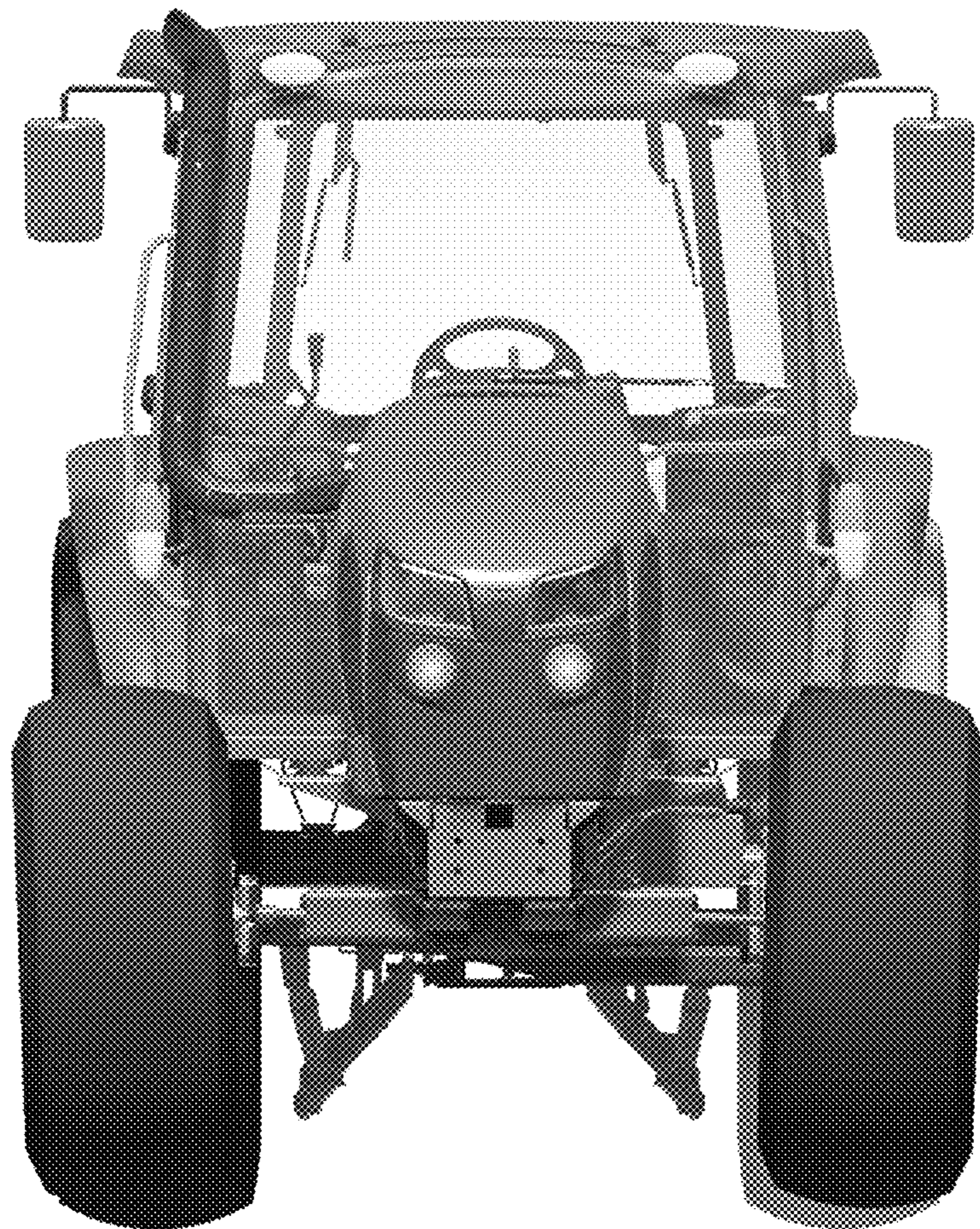


Fig.4

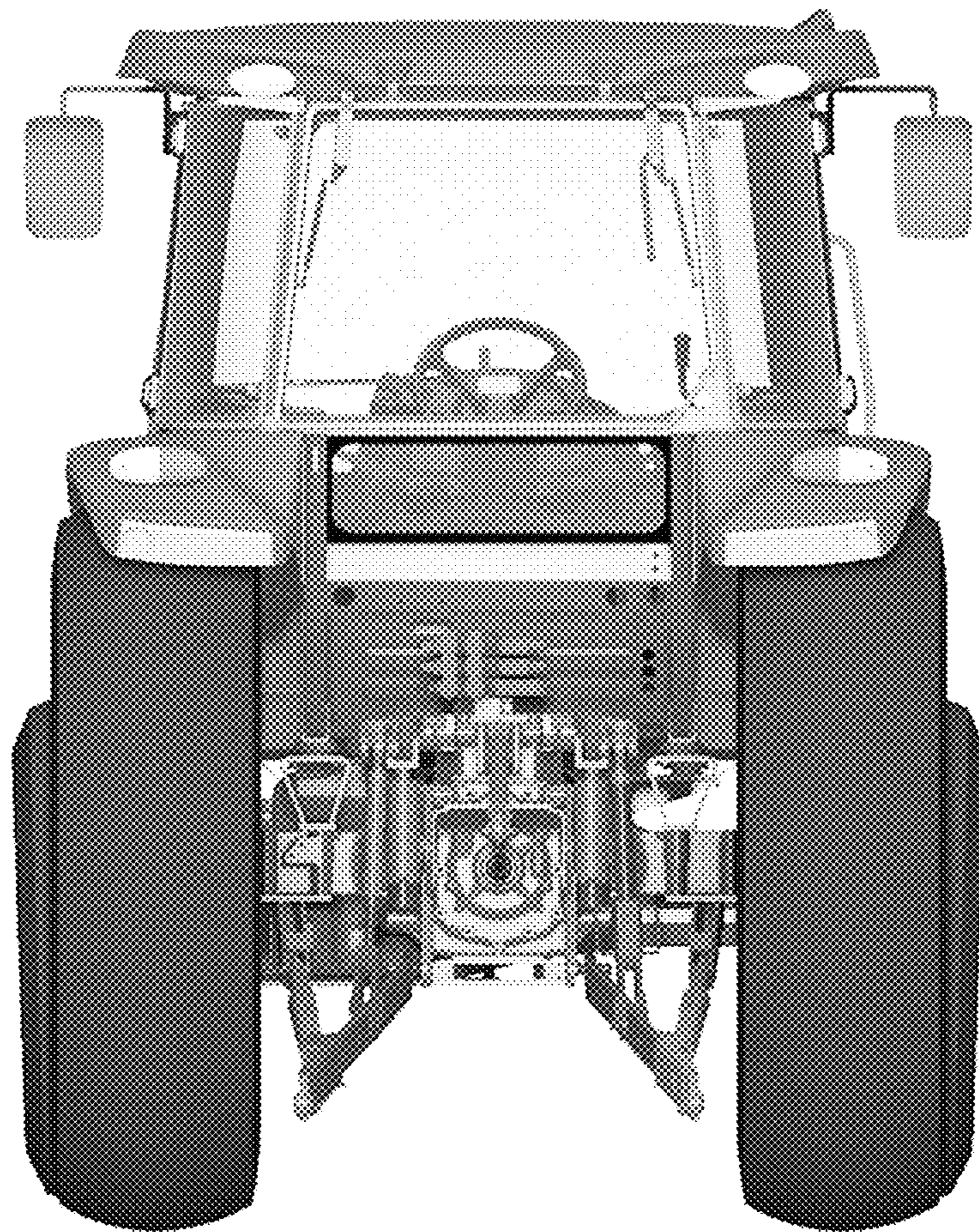


Fig.5

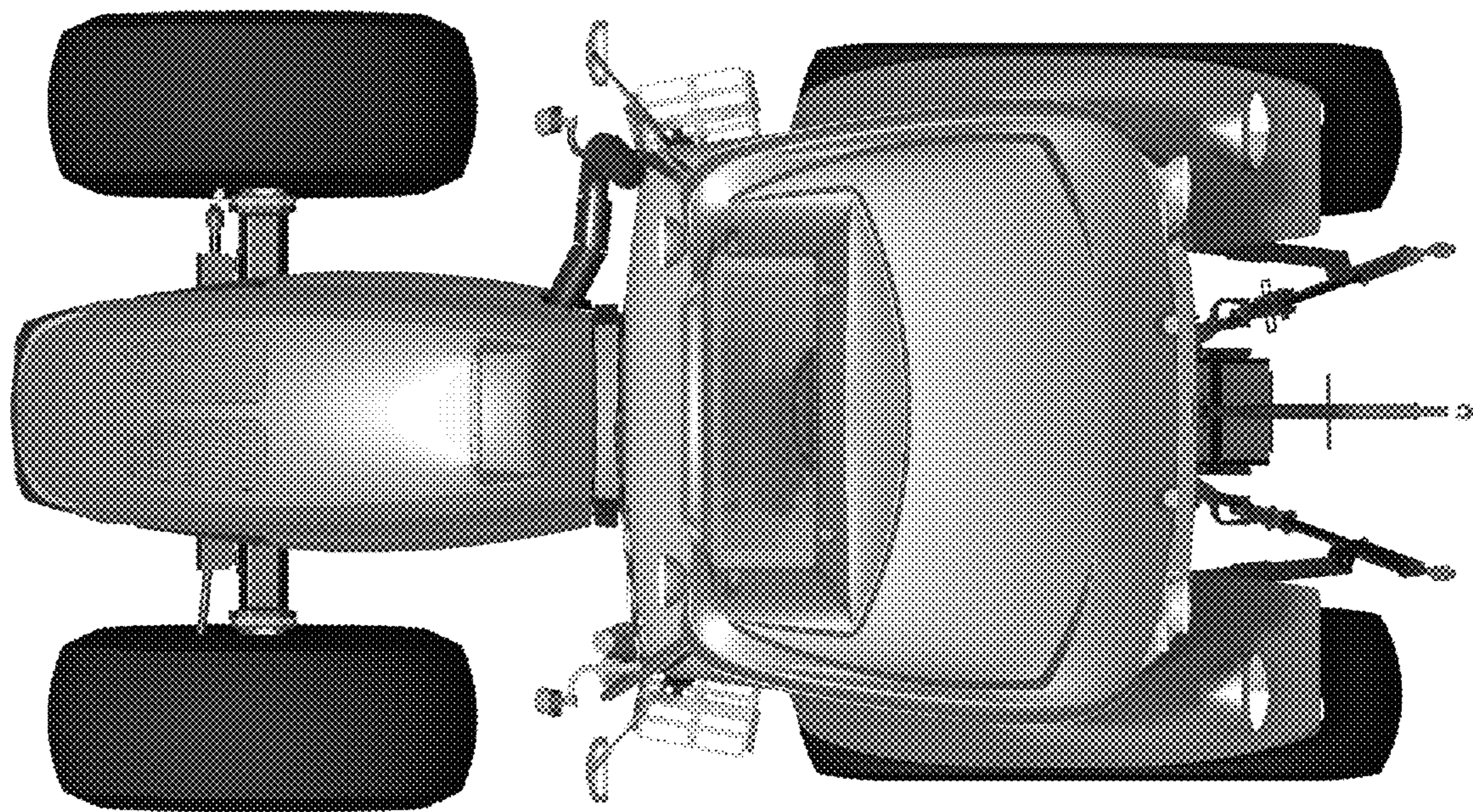


Fig.6



Fig.7

