



US00D748675S

(12) **United States Design Patent**
Higashikawa

(10) **Patent No.:** **US D748,675 S**

(45) **Date of Patent:** **** Feb. 2, 2016**

(54) **RIDING LAWN MOWER**

(71) Applicant: **Kubota Corporation**, Osaka-shi (JP)

(72) Inventor: **Yoshitaka Higashikawa**, Sakai (JP)

(73) Assignee: **Kubota Corporation**, Osaka (JP)

(**) Term: **14 Years**

(21) Appl. No.: **29/511,880**

(22) Filed: **Dec. 15, 2014**

(30) **Foreign Application Priority Data**

Jun. 17, 2014 (JP) 2014-013072

(51) **LOC (10) Cl.** **15-03**

(52) **U.S. Cl.**
USPC **D15/15**

(58) **Field of Classification Search**
USPC D15/14-18, 23, 28, 31; 56/13.3, 13.4,
56/16.1, 17.4, 15.8, 15.9, 16.7, 202, 255,
56/294, 320.1, 320.2; 180/900, 273, 68.6,
180/69.21

CPC ... A01D 34/63; A01D 34/64; A01D 43/0635;
A01D 2101/00

See application file for complete search history.

(56) **References Cited**

U.S. PATENT DOCUMENTS

D325,208 S *	4/1992	Hosonuma	D15/15
5,209,314 A *	5/1993	Nishiyama	B60K 11/04 180/68.6
D354,756 S *	1/1995	Hinklin	D15/15
D356,582 S *	3/1995	Weber	D15/15
D363,939 S *	11/1995	Kato	D15/15
D363,940 S *	11/1995	Hinklin	D15/15
D381,341 S *	7/1997	Goebert	D15/17
D423,520 S *	4/2000	Smith	D15/15
D473,570 S *	4/2003	Kuwae	D15/15
D532,021 S	11/2006	Kuwae et al.		

D532,022 S	11/2006	Kuwae		
D547,333 S *	7/2007	Nishi	D15/15
7,452,021 B2 *	11/2008	Shibaoka	B60K 26/02 296/71
D581,953 S *	12/2008	Matsumoto	D15/15
D596,205 S *	7/2009	Kawashiri	D15/31
D598,473 S *	8/2009	Ferrari	D15/15
D622,292 S *	8/2010	Ryczek	D15/15
D691,642 S	10/2013	Fujiwara		

FOREIGN PATENT DOCUMENTS

JP	D1239950 S	5/2005
JP	D1239951 S	5/2005
JP	D1239952 S	5/2005
JP	D1239953 S	5/2005
JP	D1239954 S	5/2005
JP	D1239955 S	5/2005
JP	D1239956 S	5/2005

* cited by examiner

Primary Examiner — Mark Goodwin

(74) *Attorney, Agent, or Firm* — The Webb Law Firm

(57) **CLAIM**

The ornamental design for a riding lawn mower, as shown and described.

DESCRIPTION

FIG. 1 is a front view of a riding lawn mower showing my new design;

FIG. 2 is a rear view thereof;

FIG. 3 is a left side view thereof;

FIG. 4 is a right side view thereof;

FIG. 5 is a top view thereof;

FIG. 6 is a bottom view thereof;

FIG. 7 is a perspective view thereof; and,

FIG. 8 is an enlarged left side view of a portion thereof taken along lines 8-8 shown in FIG. 3.

The broken line showings of FIGS. 1-8 are environmental only and not part of the claimed design.

1 Claim, 8 Drawing Sheets

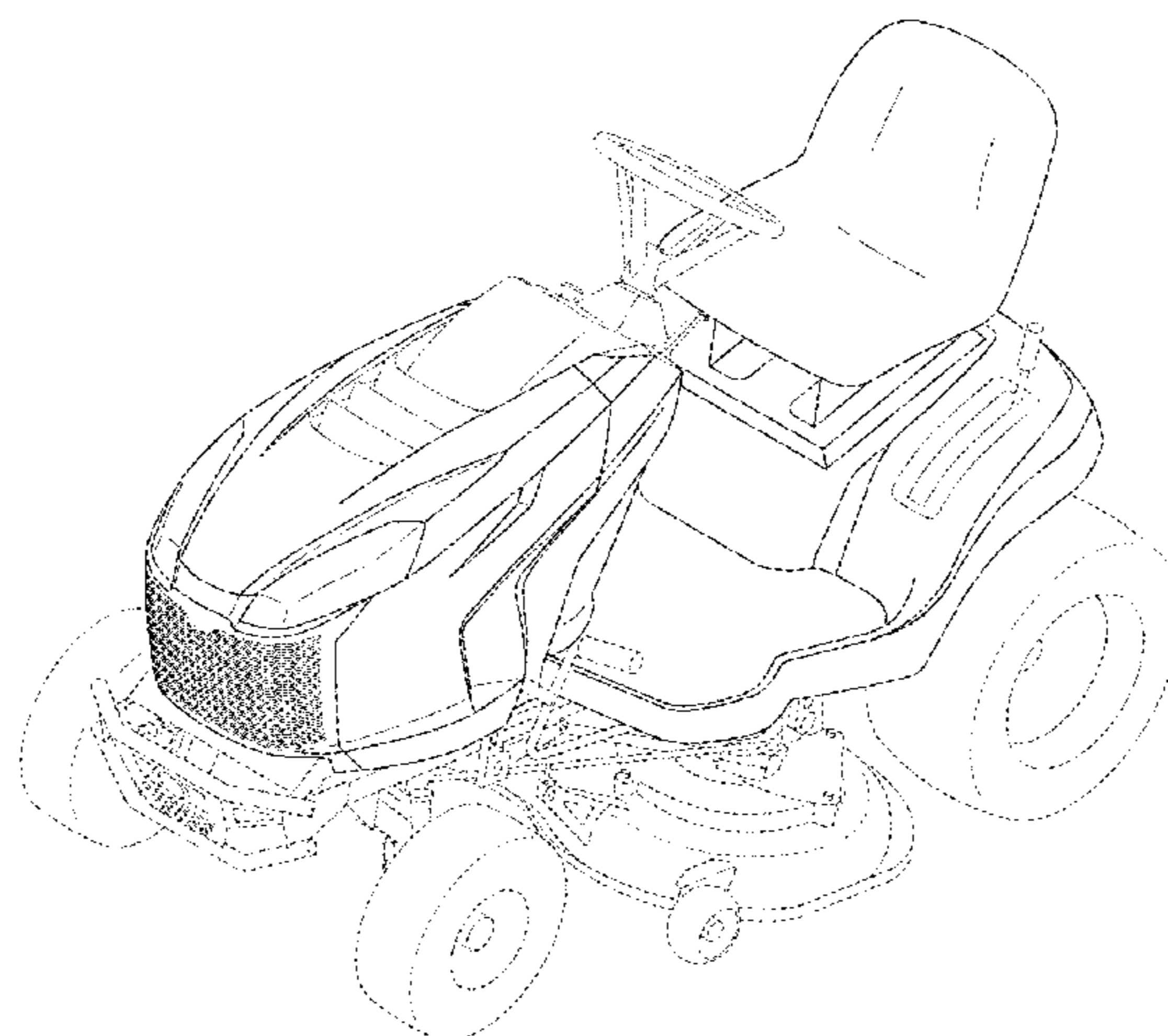


Fig.1

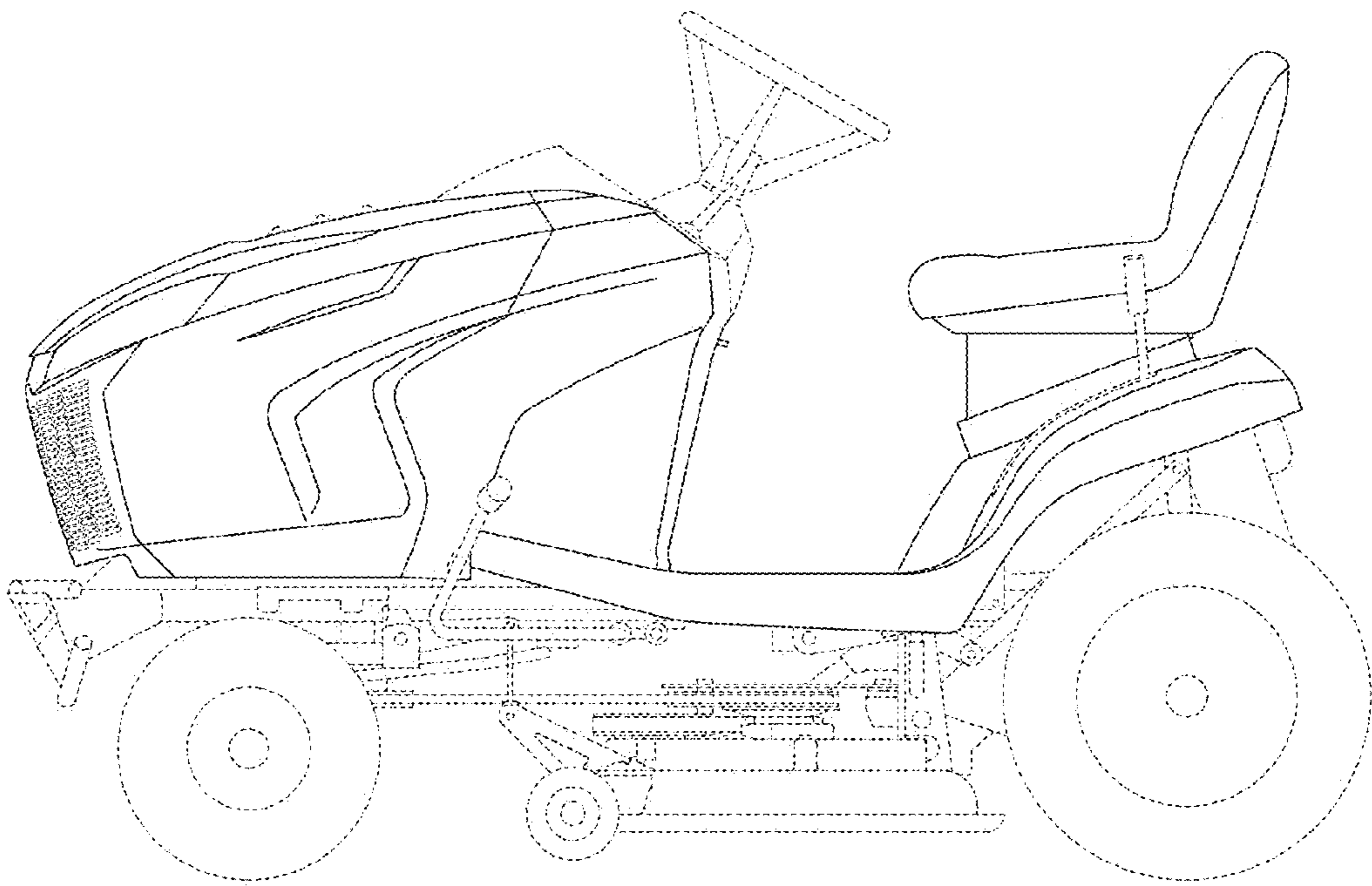


Fig.2

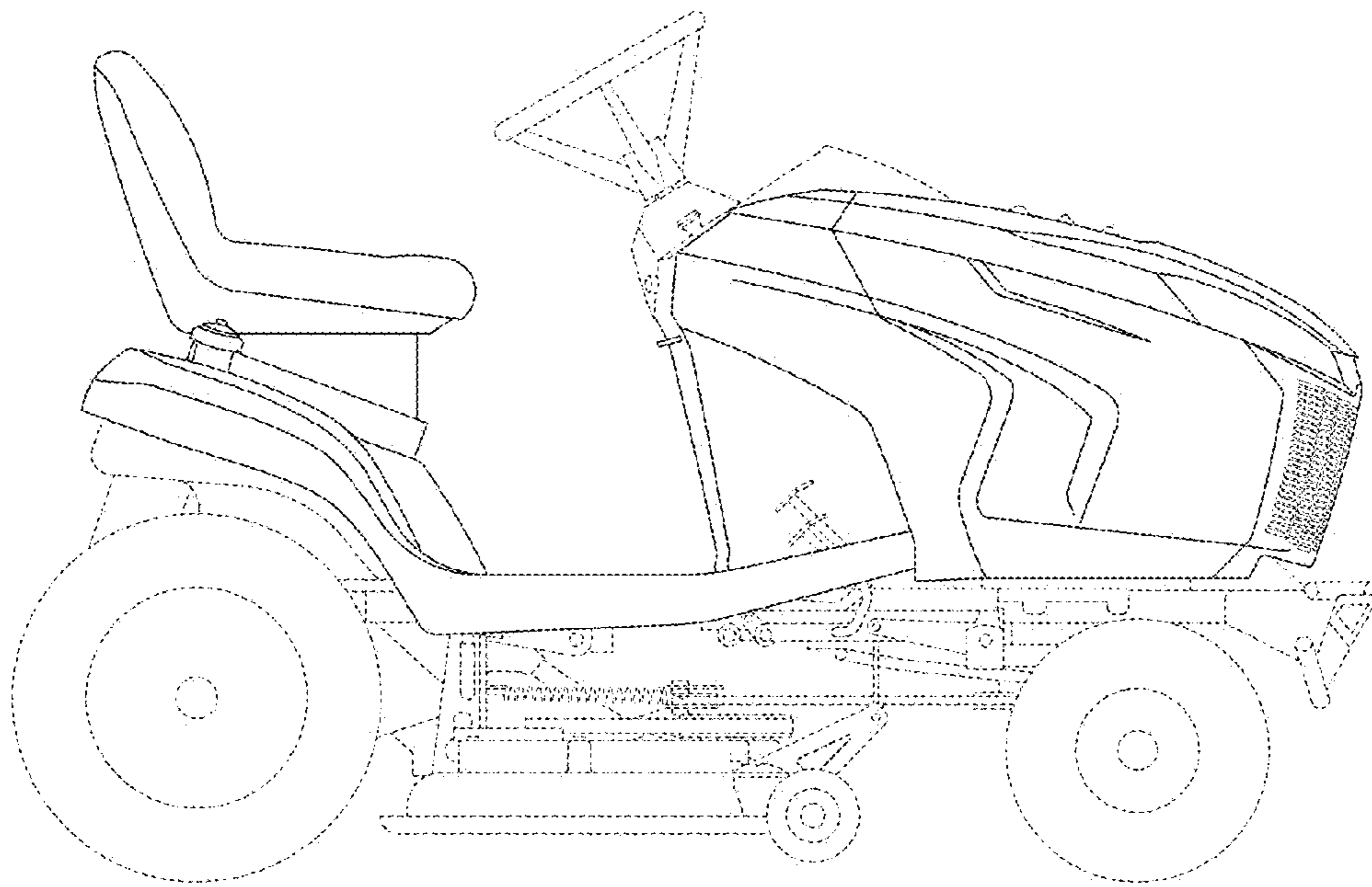


Fig.3

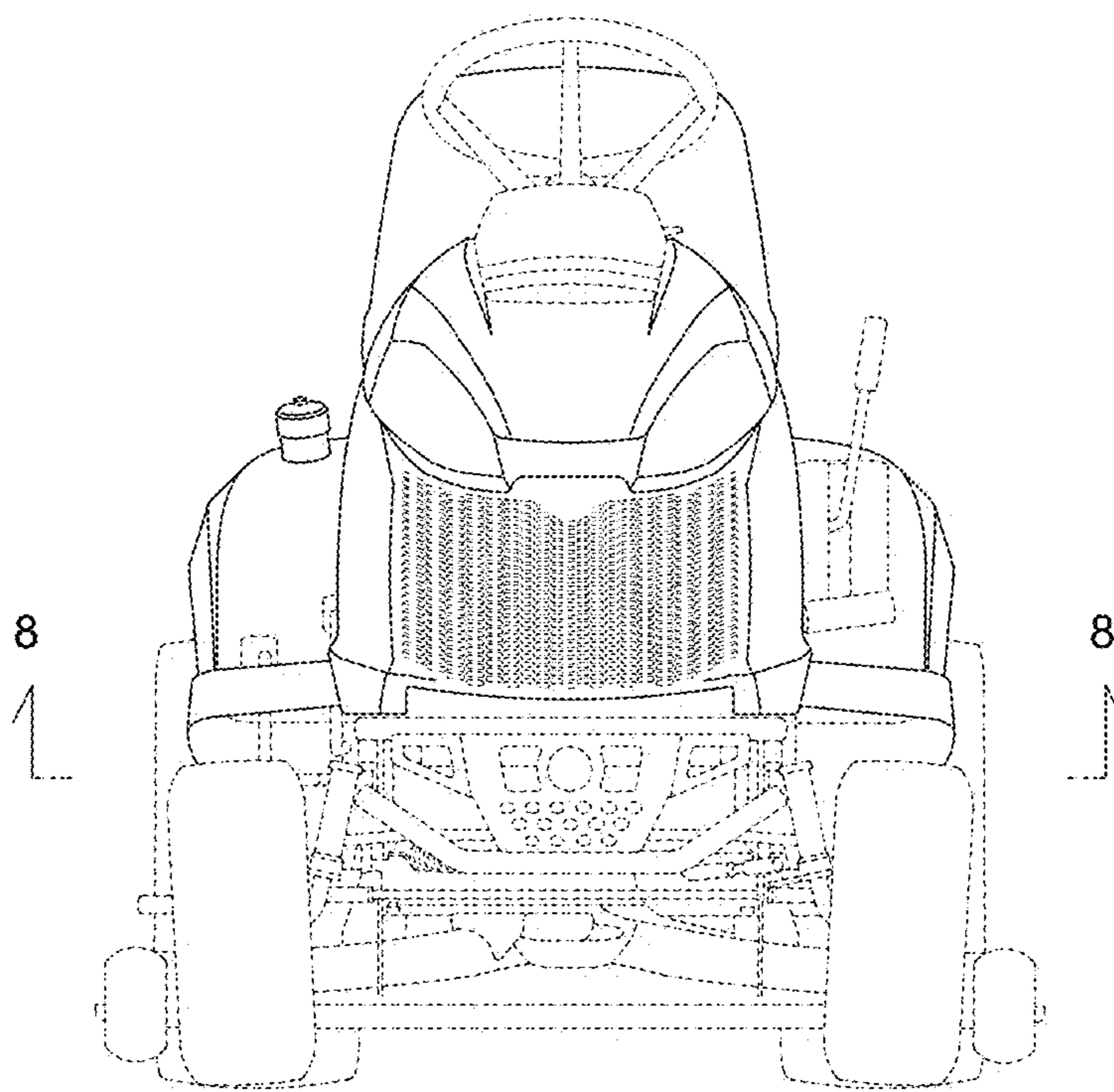


Fig.4

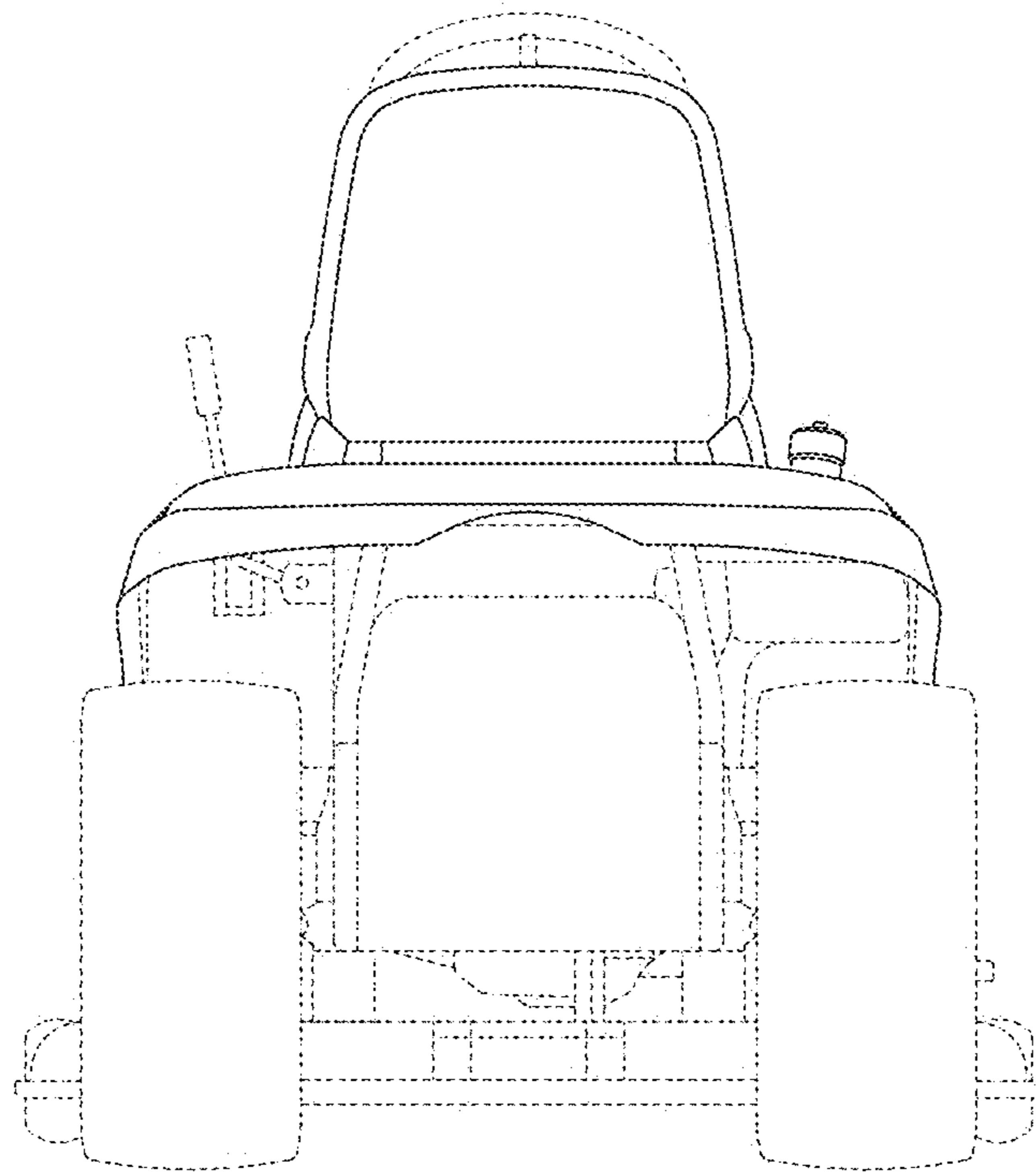


Fig.5

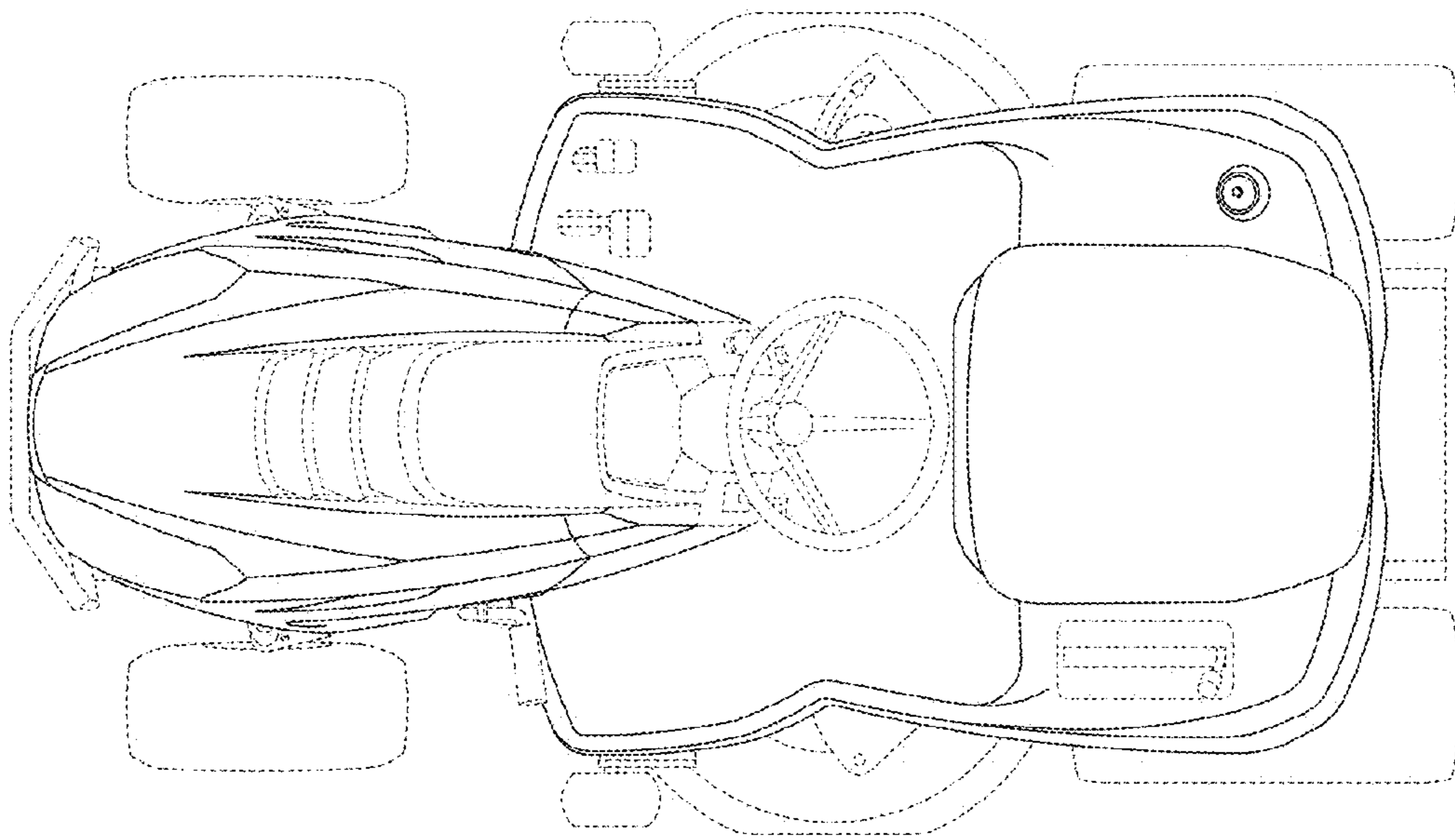


Fig.6

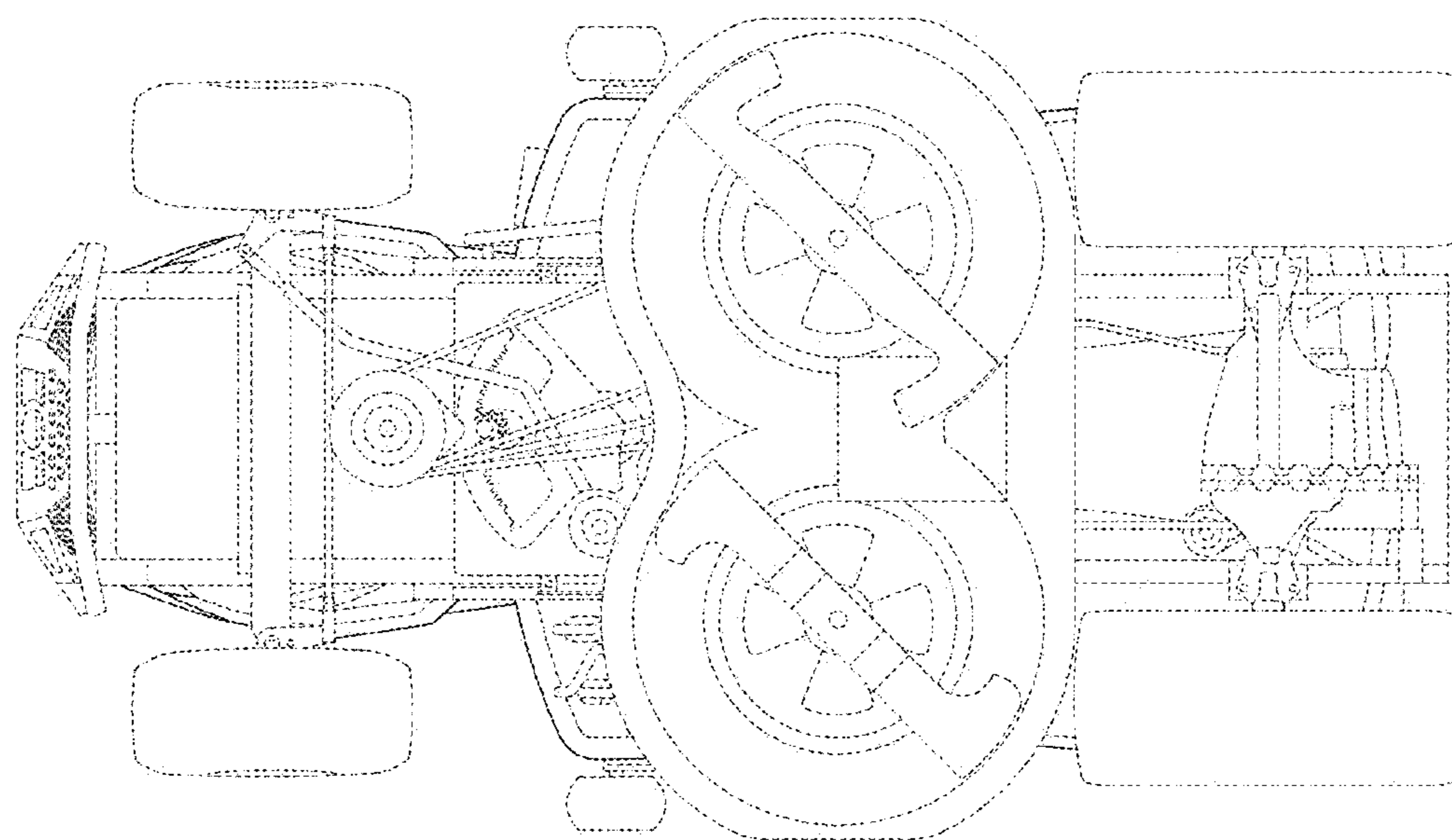


Fig.7

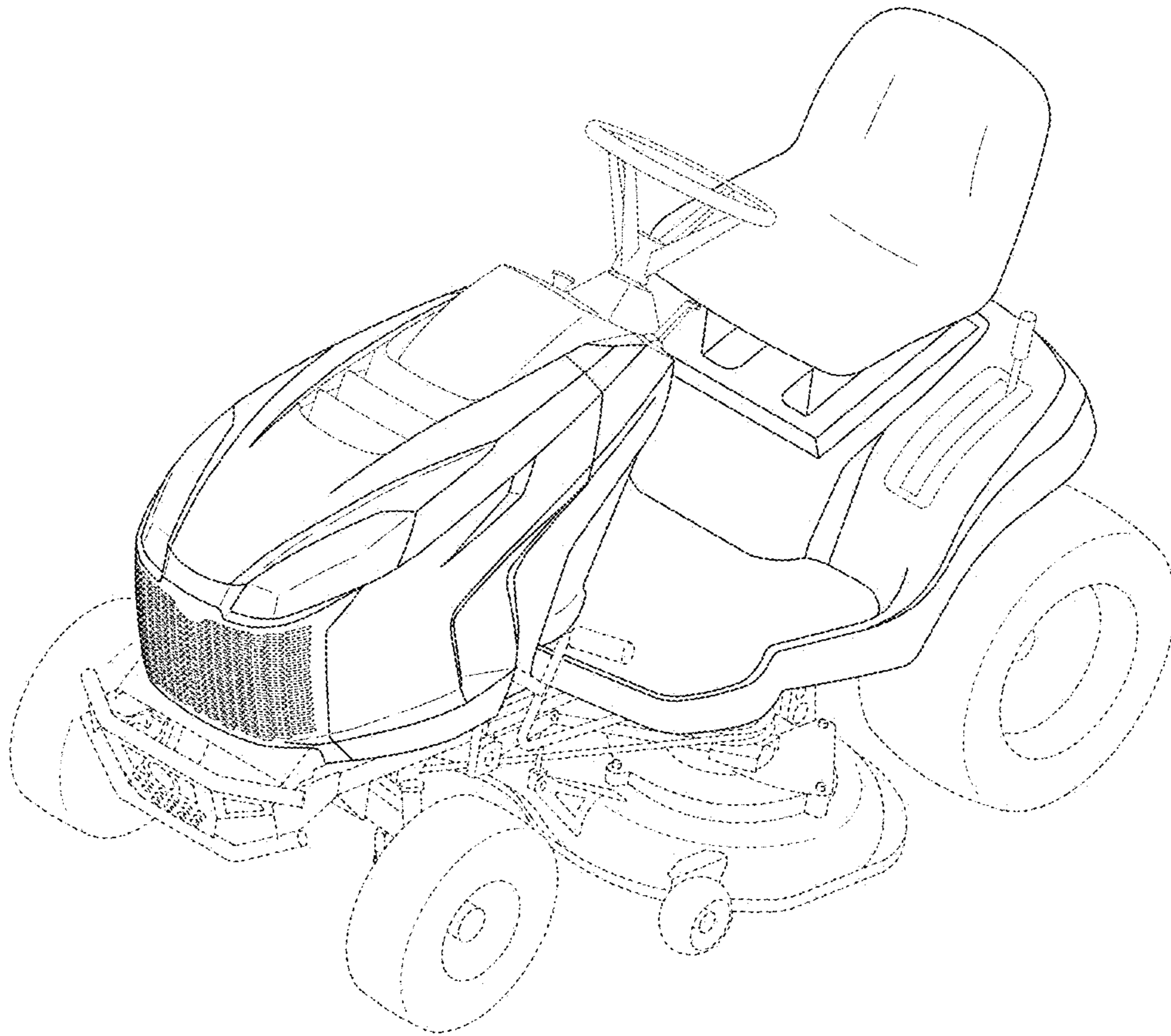


Fig.8

