



US00D748640S

(12) **United States Design Patent**
Hart

(10) **Patent No.:** **US D748,640 S**
(45) **Date of Patent:** **** Feb. 2, 2016**

(54) **SLIDABLE MOUNT FOR AN IMAGE DEVICE**

(56) **References Cited**

(71) Applicant: **Kyle Hart**, Puyallup, WA (US)

U.S. PATENT DOCUMENTS

(72) Inventor: **Kyle Hart**, Puyallup, WA (US)

(73) Assignee: **Rhino Camera Gear, LLC**, Puyallup, WA (US)

4,699,484	A *	10/1987	Howell et al.	352/243
4,754,886	A *	7/1988	Hirano	212/76
5,225,863	A *	7/1993	Weir-Jones	396/56
5,711,227	A *	1/1998	Johnson	104/126
5,908,181	A *	6/1999	Valles-Navarro	248/177.1
D570,852	S *	6/2008	Muday et al.	D14/451
D598,945	S *	8/2009	Gillespie	D16/235
D600,945	S *	9/2009	Kelsen	D14/451
D610,437	S *	2/2010	Bremmon et al.	D8/373
D615,072	S *	5/2010	Saitou	D14/239
D712,906	S *	9/2014	Wengreen et al.	D14/451
D723,090	S *	2/2015	Firchau et al.	D16/242
2004/0251388	A1 *	12/2004	Williams	248/274.1

(**) Term: **14 Years**

(21) Appl. No.: **29/457,283**

(22) Filed: **Jun. 7, 2013**

(51) **LOC (10) Cl.** **08-07**

(52) **U.S. Cl.**

USPC **D14/451**

(58) **Field of Classification Search**

USPC D14/371-382, 125-129, 336, 337, D14/447-452, 492, 335, 239, 457, 439-441, D14/432, 251-253; D8/349, 354, 363, 373, D8/376, 380; D21/333; D12/415; D3/218; 348/180, 184, 325, 739, 825; D16/237, D16/239, 242, 244, 250; 248/274

CPC G06F 3/0412; G06F 3/016; G06F 3/0488; G06F 3/011; G06F 3/038; G06F 3/03543; G06F 3/0338; G06F 3/0202; G06F 3/0219; G06F 3/0213; G06F 1/1616; G06F 3/023; G06F 3/04883; G02F 1/13338; G02F 1/1313; G02F 1/1333; G02F 1/135; G02F 1/132; G02F 1/133308; G02F 1/134309; G02F 1/13718; G09G 3/3648; G06K 15/1252; B41J 2/465; G03F 7/70291; G02B 27/0172; G02B 5/30; G02B 2027/0118; G02B 27/0101; F16M 13/02; F16M 13/00; F16M 11/10; F16M 11/04; F16M 2200/08; F16M 11/2021; A47B 21/0314; A47B 88/044; A47B 2021/0335; H02G 3/126; F16B 47/00; F16B 47/006; A47G 1/17; A47K 2201/00

See application file for complete search history.

* cited by examiner

Primary Examiner — Deanna L Pratt

Assistant Examiner — Katie Mroczka

(74) *Attorney, Agent, or Firm* — Puget Patent; Michael Gibbons

(57) **CLAIM**

The ornamental design for a slidable mount for an image device, as shown and described.

DESCRIPTION

FIG. 1 is an isometric view of a slidable mount for an image device;

FIG. 2 is a top view thereof;

FIG. 3 is a bottom view thereof;

FIG. 4 is a left side view thereof;

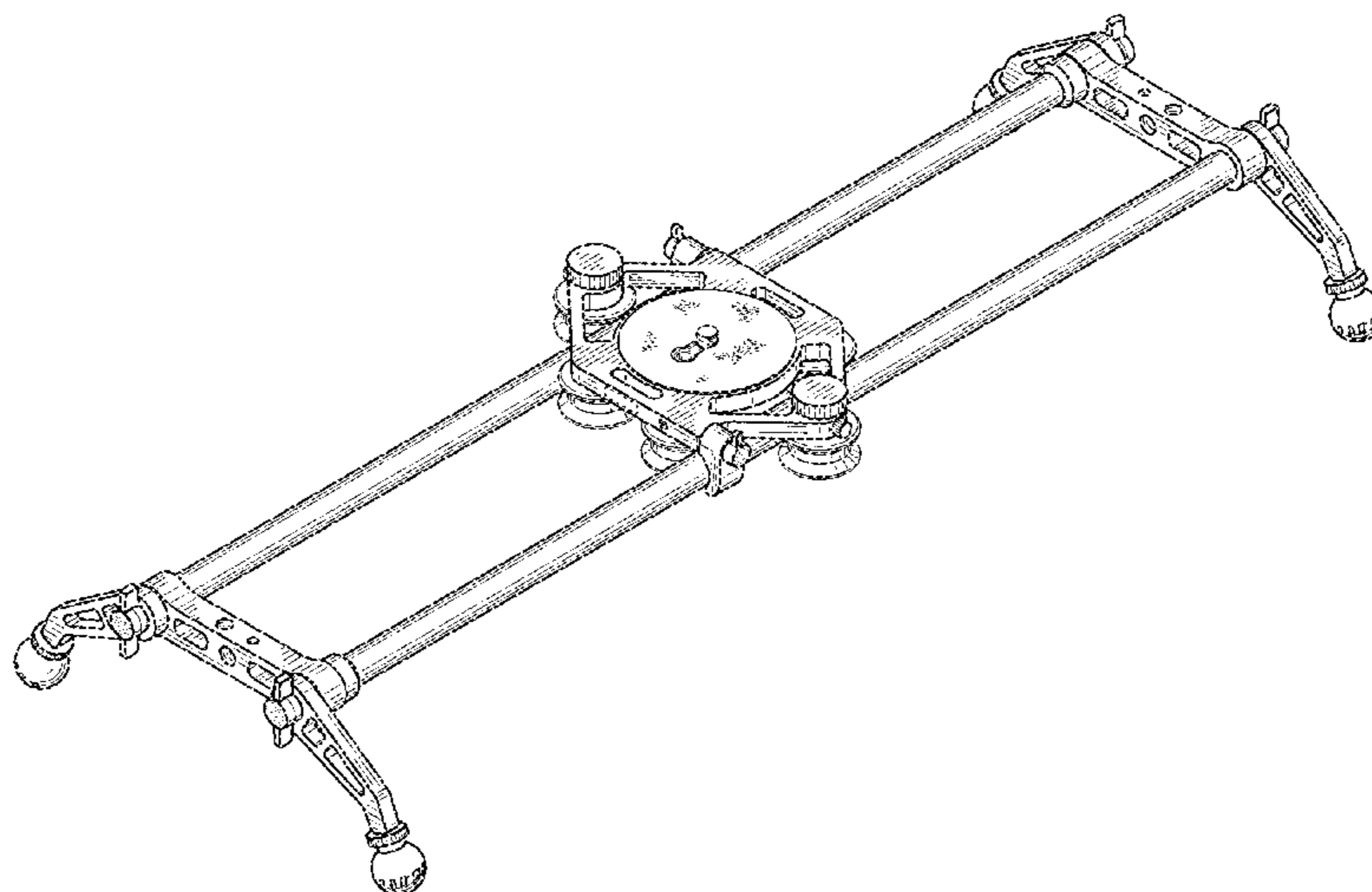
FIG. 5 is a right side view thereof;

FIG. 6 is a left end view thereof; and,

FIG. 7 is a right end view thereof.

The broken lines in FIGS. 1-3 illustrate portions of the slidable mount for an image device which form no part of the claimed design.

1 Claim, 5 Drawing Sheets



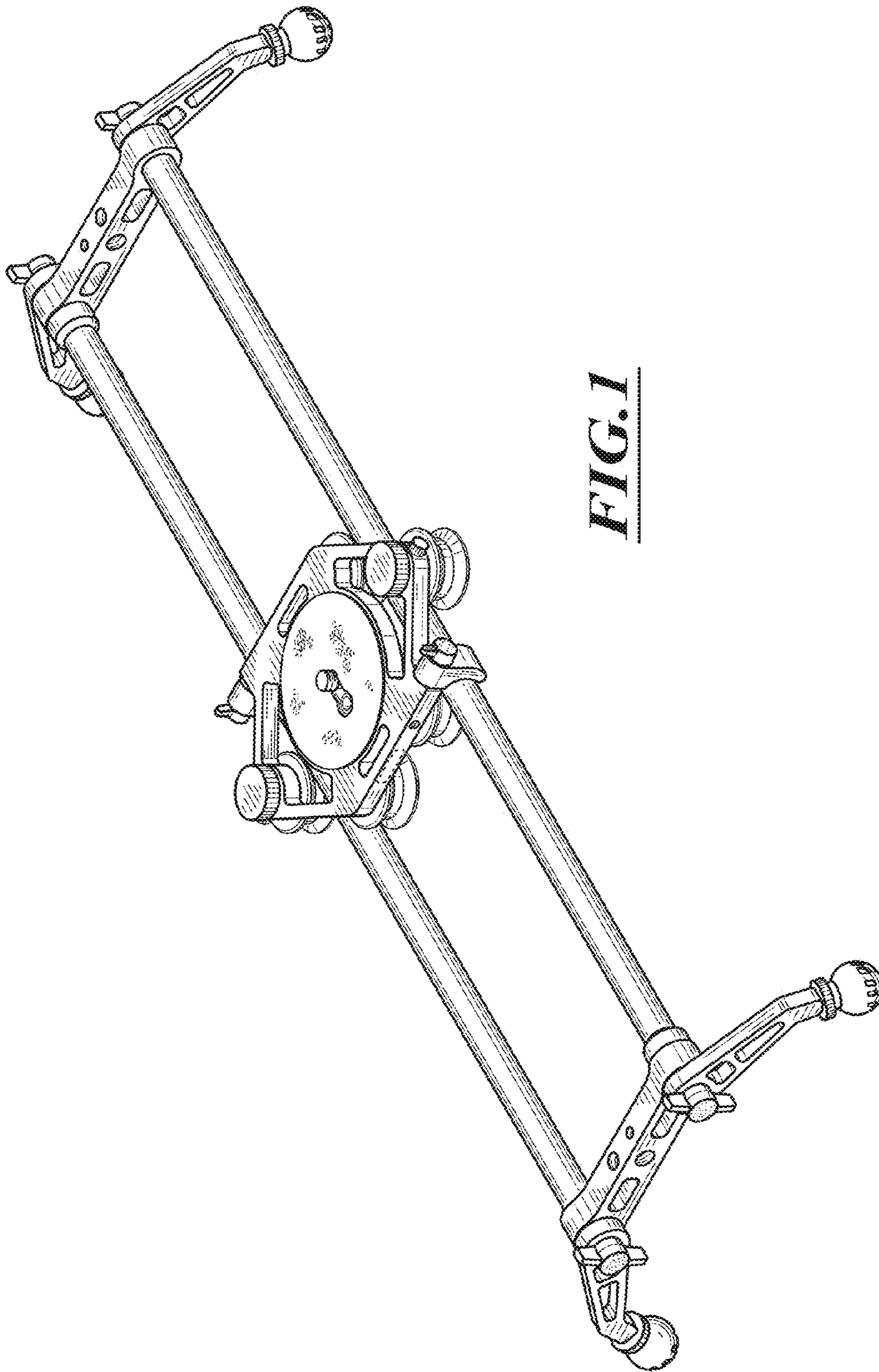


FIG. 1

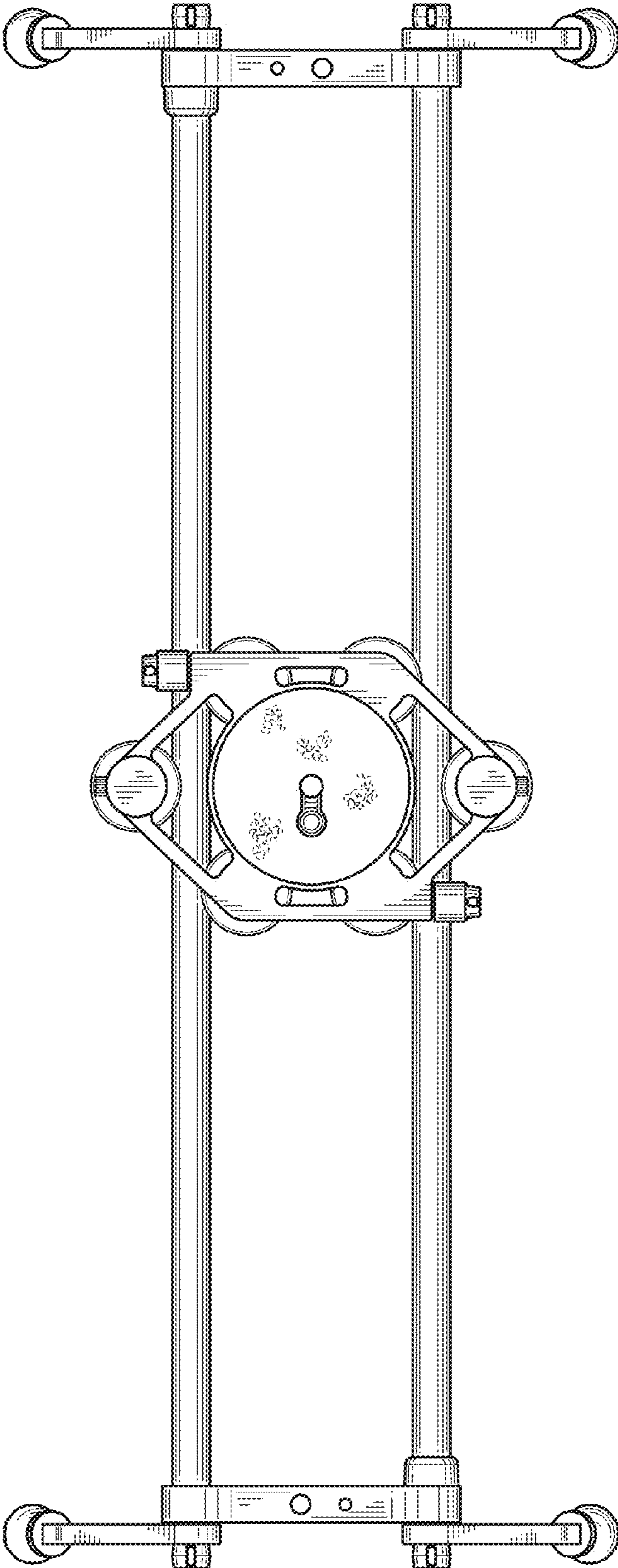


FIG. 2

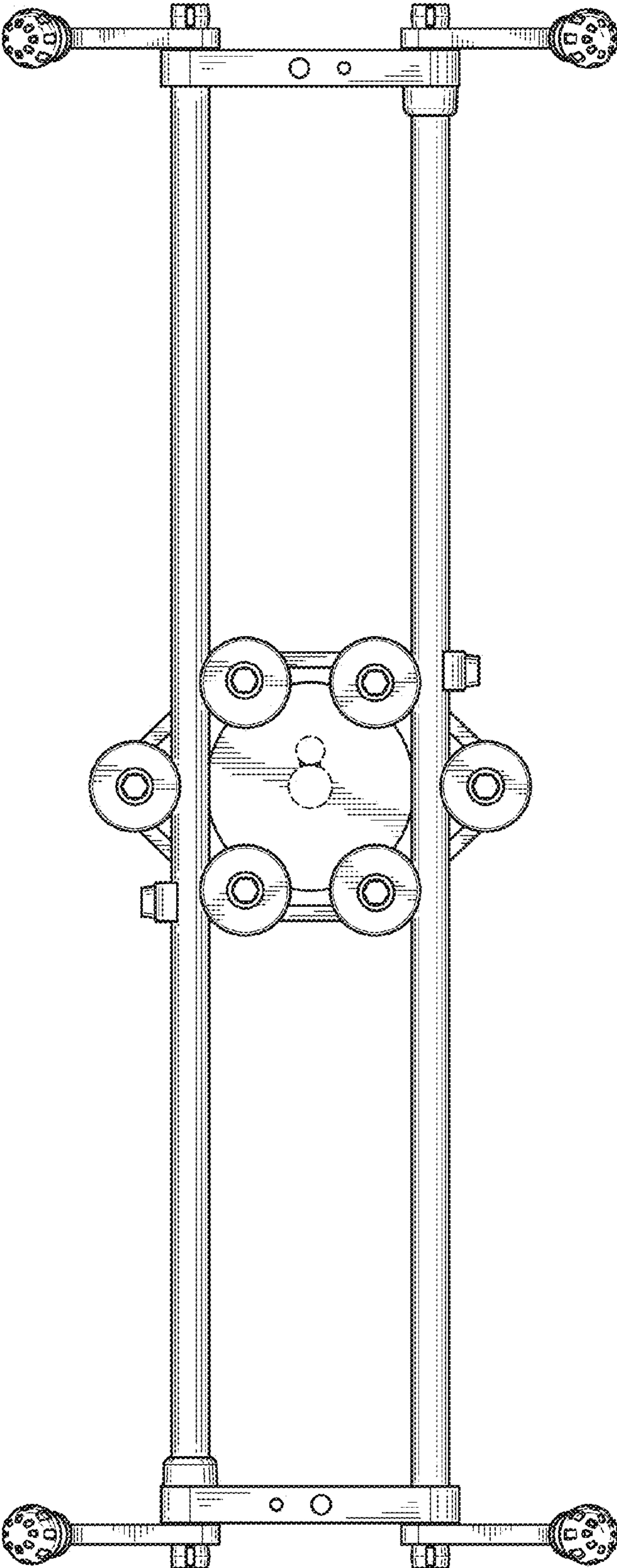


FIG. 3

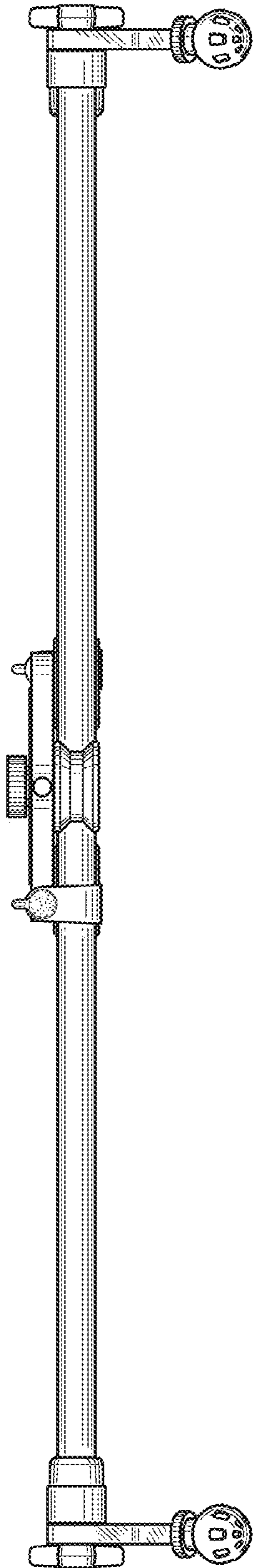


FIG. 4

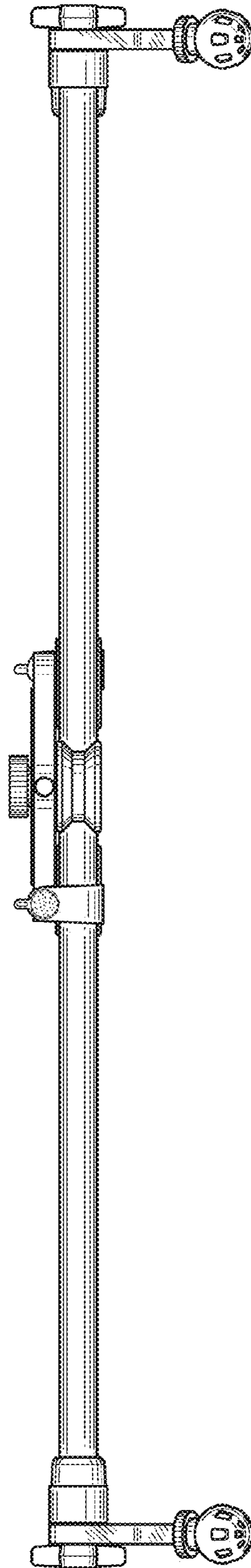


FIG. 5

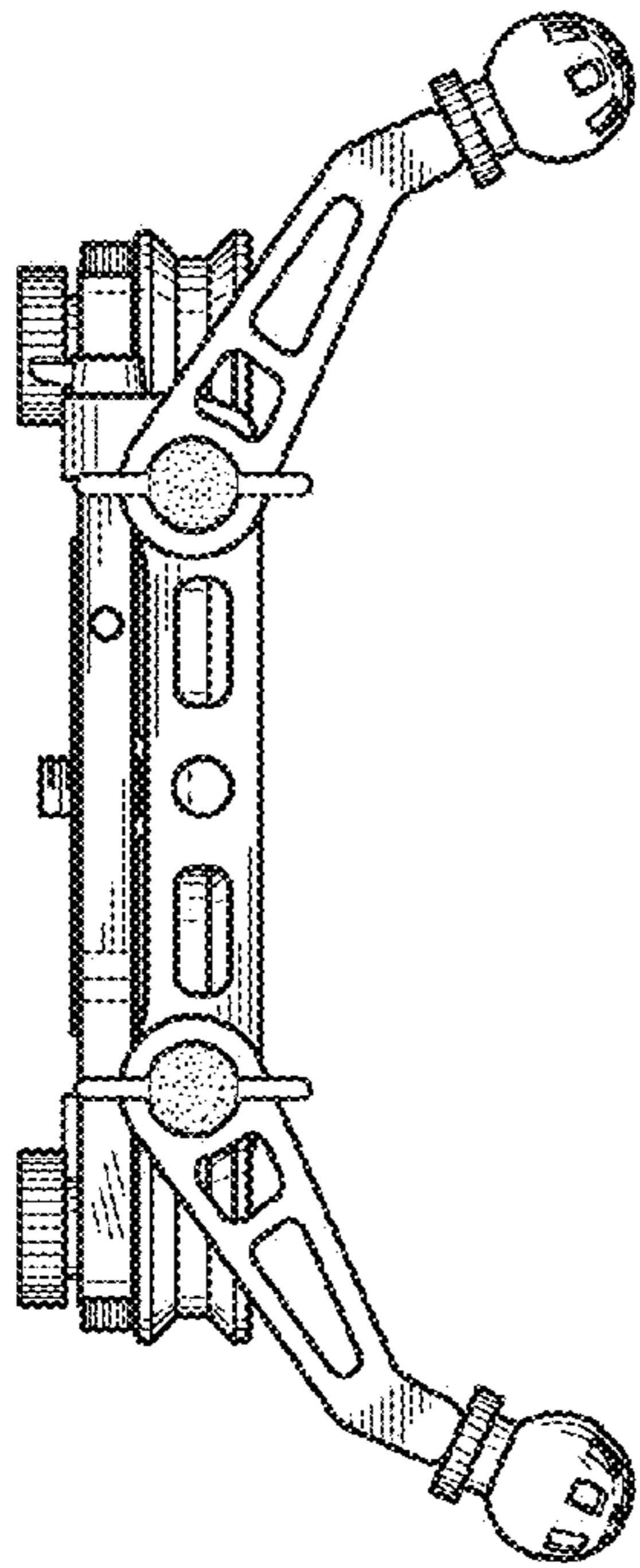


FIG. 6

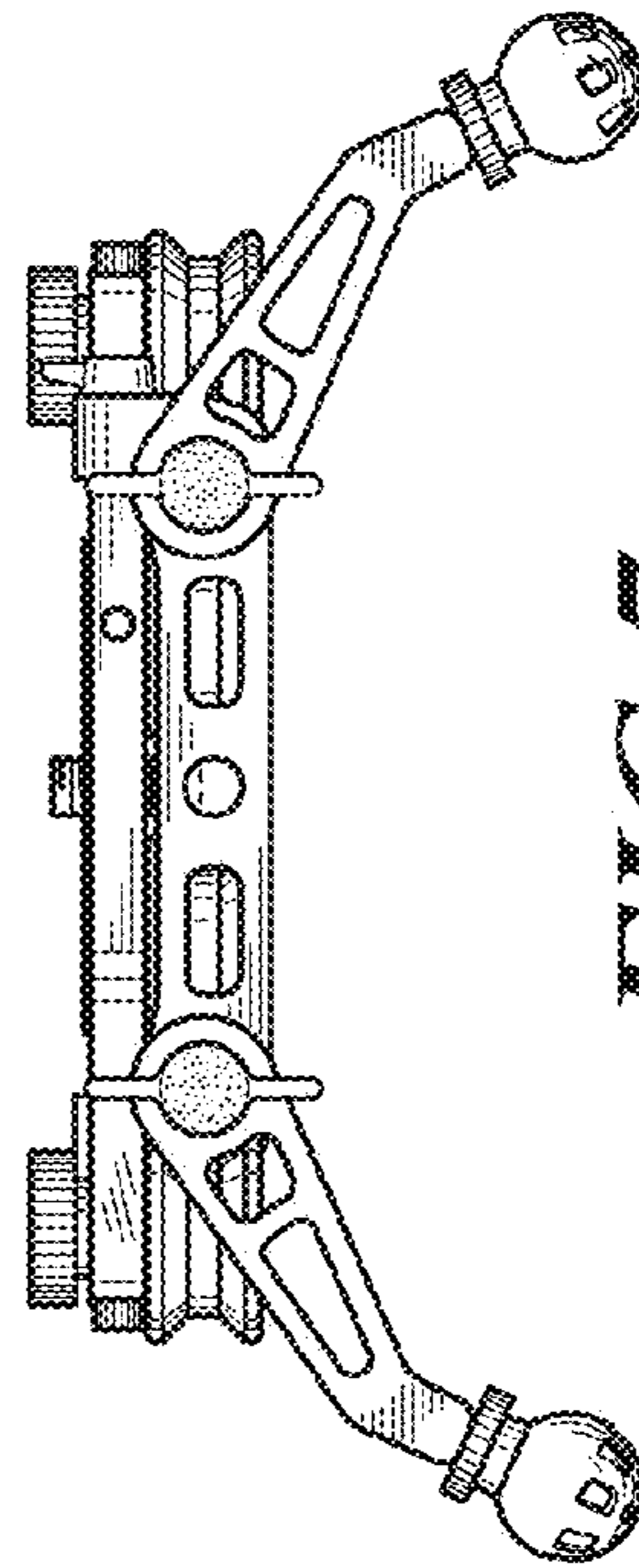


FIG. 7