



US00D748639S

(12) **United States Design Patent**  
**Khodapanah et al.**

(10) **Patent No.:** **US D748,639 S**

(45) **Date of Patent:** **\*\* Feb. 2, 2016**

(54) **MOUNT ACCESSORY FOR AN ELECTRONIC DEVICE**

(56) **References Cited**

U.S. PATENT DOCUMENTS

(71) Applicant: **OTTER PRODUCTS, LLC**, Fort Collins, CO (US)

D645,033	S	*	9/2011	Quong	.....	D14/253
D657,795	S	*	4/2012	Smith	.....	D14/447
D666,204	S	*	8/2012	Han	.....	D14/447
D682,281	S	*	5/2013	Barnard	.....	D14/447
D688,670	S	*	8/2013	Huang	.....	D14/447
D692,898	S	*	11/2013	Luijben	.....	D14/447
D719,960	S	*	12/2014	Akana	.....	D14/447
D719,961	S	*	12/2014	Xiang	.....	D14/447
D721,377	S	*	1/2015	Pelster	.....	D14/447
D722,603	S	*	2/2015	Lay	.....	D14/447
D725,660	S	*	3/2015	Trotsky	.....	D14/447
D735,210	S	*	7/2015	Kim	.....	D14/447
D739,857	S	*	9/2015	Lay	.....	D10/80

(72) Inventors: **Tony Khodapanah**, La Jolla, CA (US);  
**Richard W. Grant, III**, San Diego, CA (US)

(73) Assignee: **OTTER PRODUCTS, LLC**, Fort Collins, CO (US)

(\*\*) Term: **14 Years**

\* cited by examiner

(21) Appl. No.: **29/513,987**

*Primary Examiner* — Angela J Lee

(22) Filed: **Jan. 7, 2015**

(57) **CLAIM**

(51) **LOC (10) Cl.** ..... **08-07**

The ornamental design for a mount accessory for an electronic device, as shown and described.

(52) **U.S. Cl.**

**DESCRIPTION**

USPC ..... **D14/447**

(58) **Field of Classification Search**

USPC ..... D3/218; D6/406.3, 406.4, 406.5, 406.6

CPC ..... A45C 2011/003; A45C 2011/002;

A45C 13/002; A47B 2023/049; A47B

2097/005; A47B 2097/006; A47B 21/04;

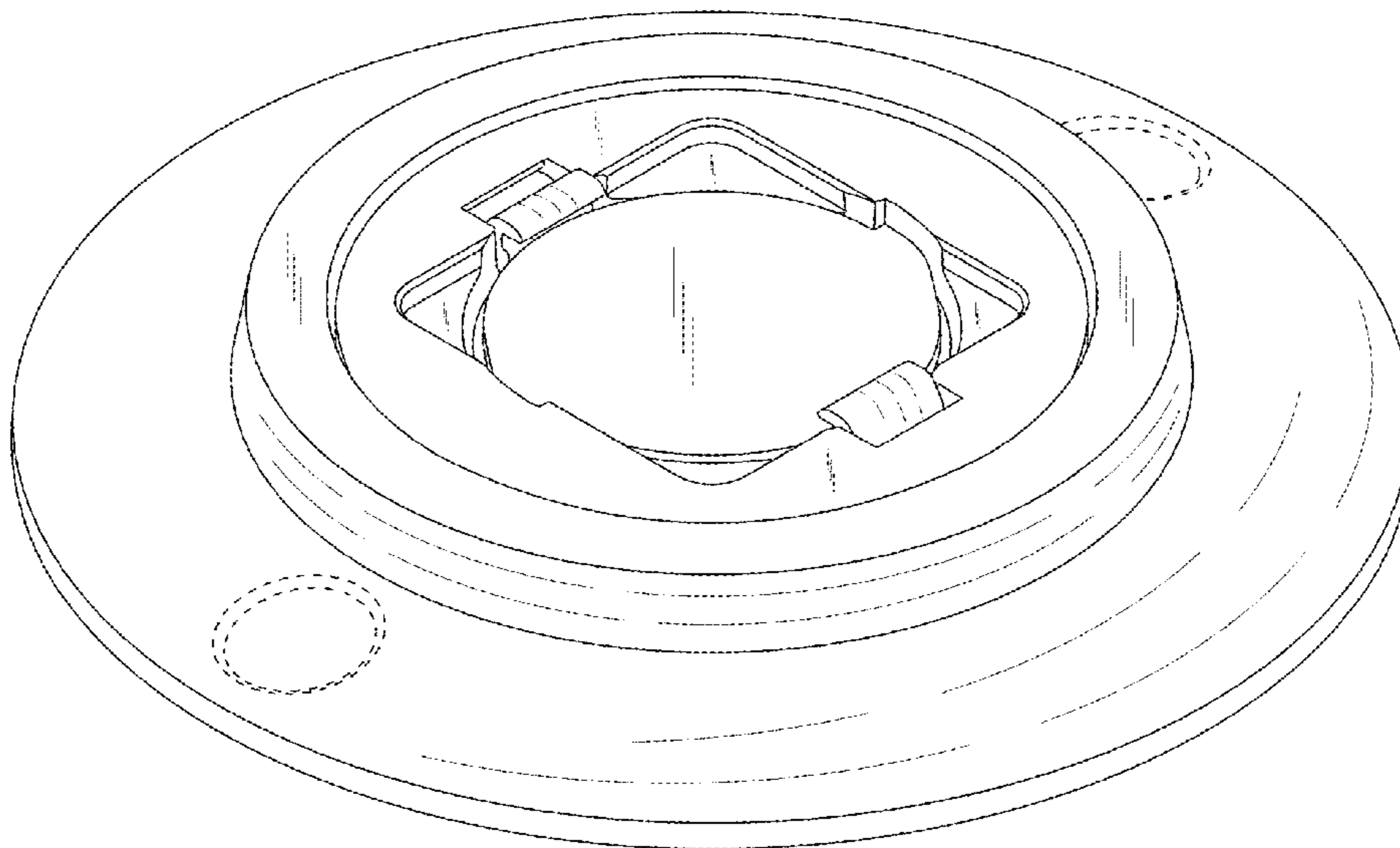
A47B 23/00; A47B 23/043; A47B 2021/0307;

A47B 2023/005; F16M 2200/00; H04B

1/3888; H04M 1/04; H04M 1/185

See application file for complete search history.

**1 Claim, 4 Drawing Sheets**



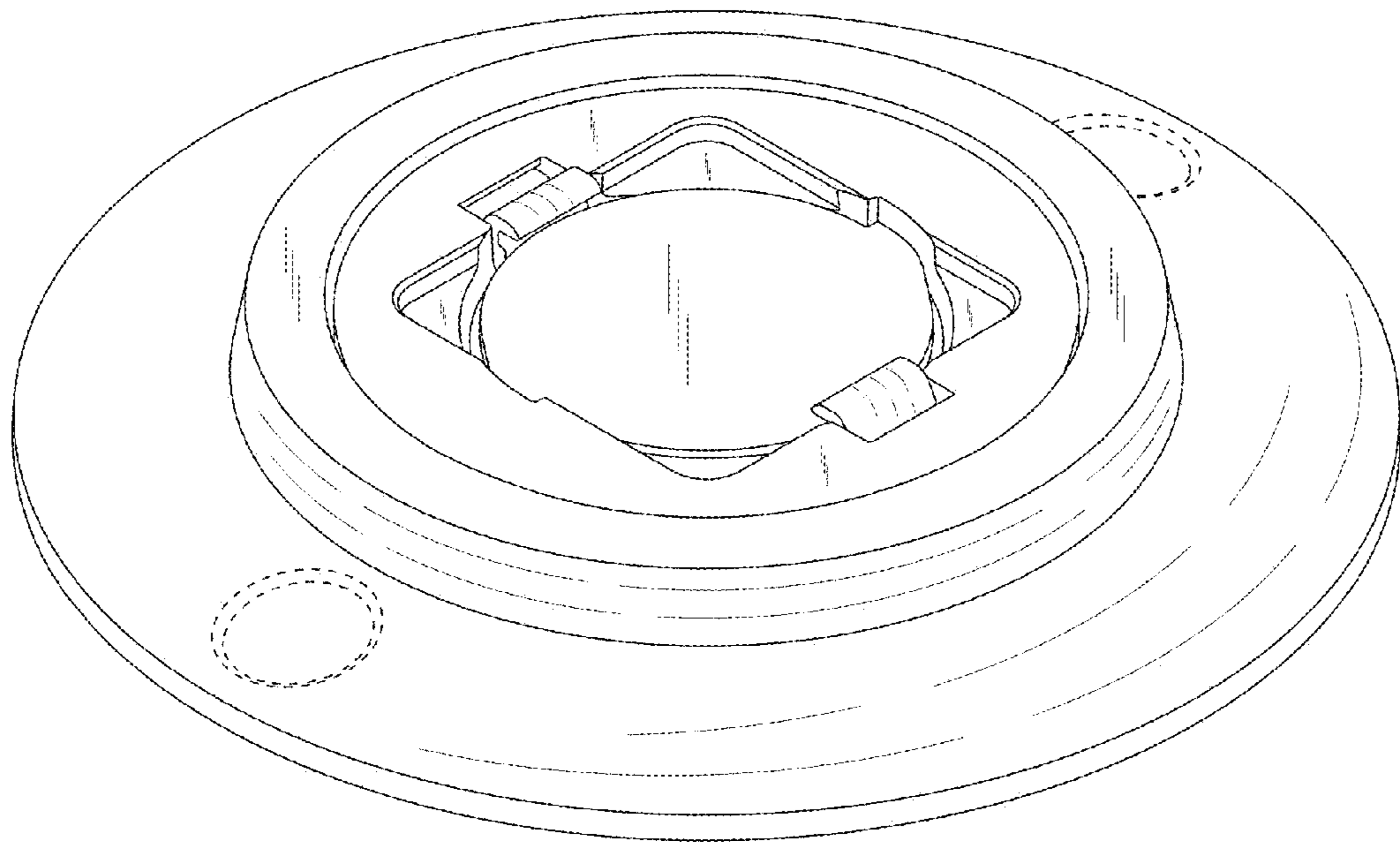


FIG. 1

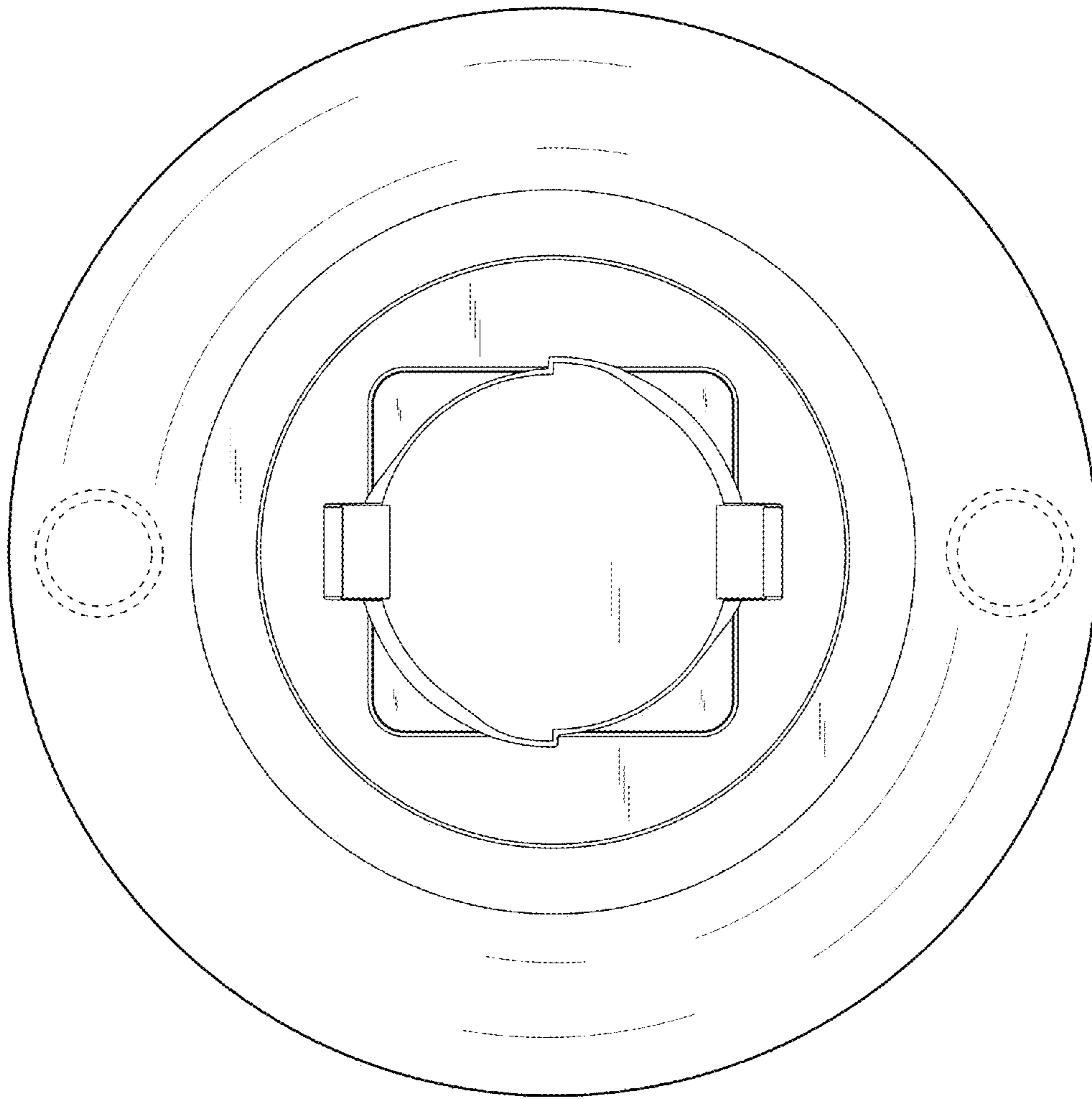


FIG. 2

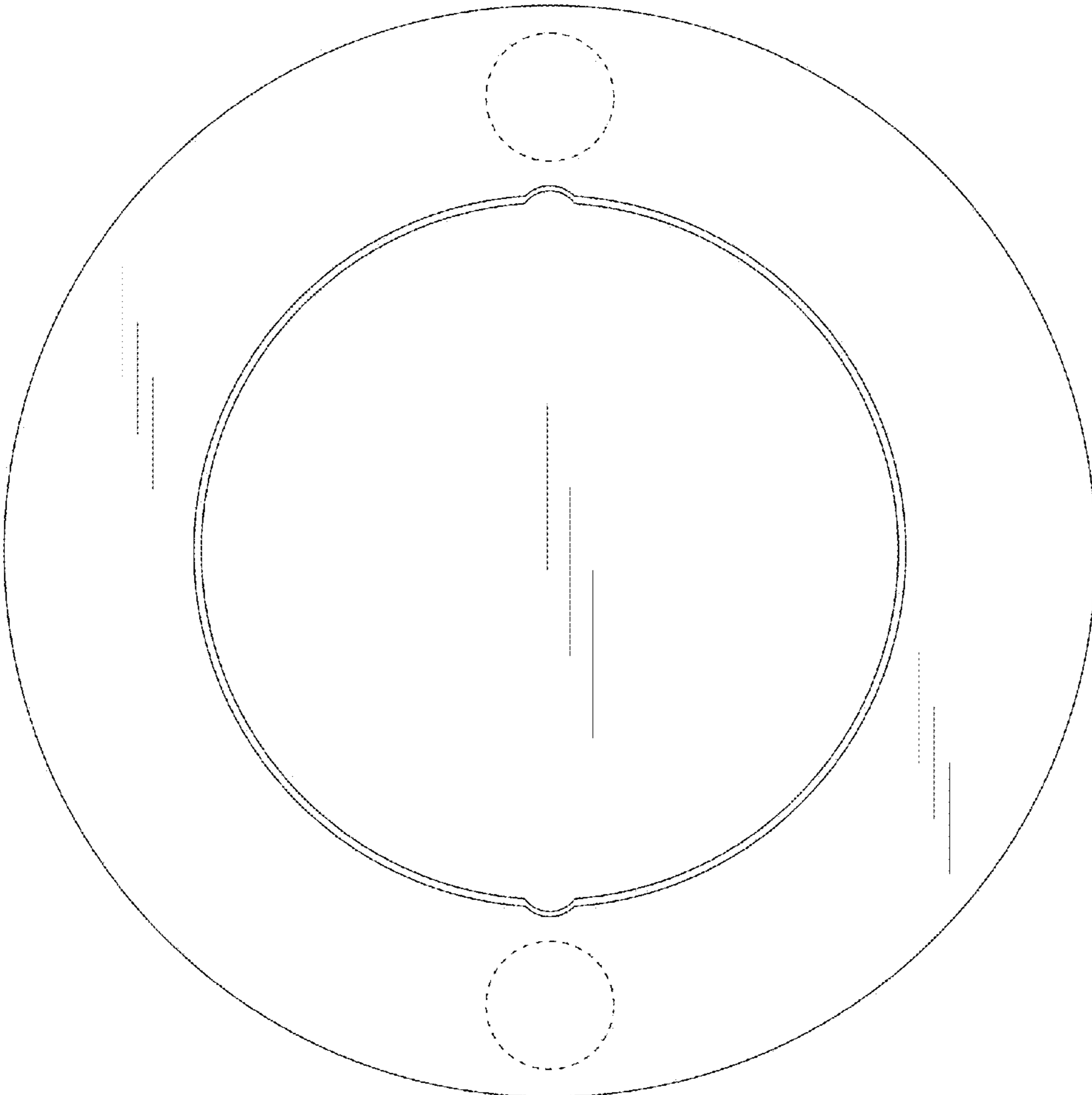


FIG. 3

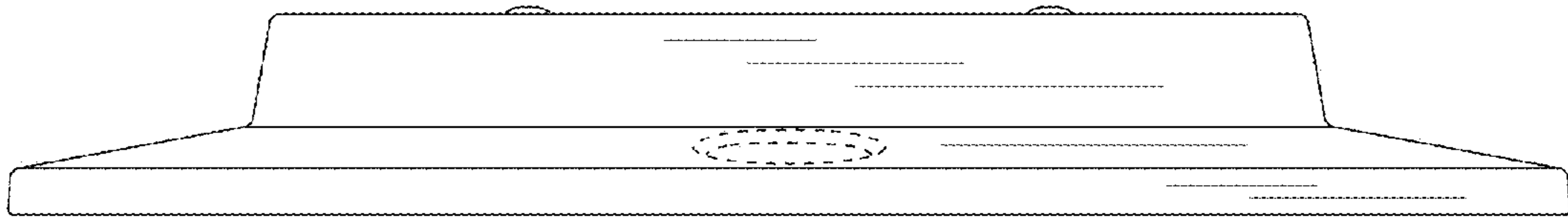


FIG. 4

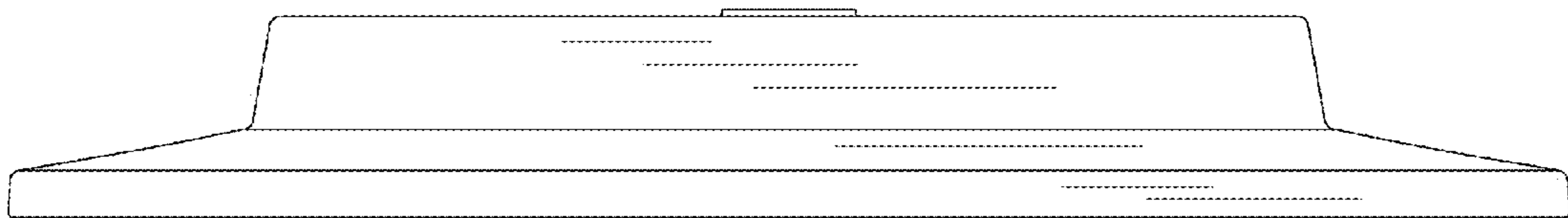


FIG. 5