



US00D748638S

(12) **United States Design Patent**
Russette et al.

(10) **Patent No.:** **US D748,638 S**

(45) **Date of Patent:** **** Feb. 2, 2016**

(54) **FRONT PANEL WITH OPENINGS FOR AIR COOLING A DATA STORAGE TRANSFER ARCHIVE REPOSITORY**

(71) Applicant: **BAE Systems Information And Electronic Systems Integration Inc.**, Nashua, NH (US)

(72) Inventors: **Andrew R. Russette**, Silver Spring, MD (US); **Aaron R. Oberste**, Severn, MD (US); **Alexa D. Oberste**, Severn, MD (US); **Anthony P. Antoniadis**, Fulton, MD (US); **Matthew F. Guenette**, Baltimore, MD (US)

(73) Assignee: **BAE Systems Information and Electronic Systems Integration Inc.**, Nashua, NH (US)

(**) Term: **14 Years**

(21) Appl. No.: **29/496,233**

(22) Filed: **Jul. 10, 2014**

(51) **LOC (10) Cl.** **14-02**

(52) **U.S. Cl.**
USPC **D14/444**

(58) **Field of Classification Search**
USPC D14/240, 300, 301, 308, 313, 314, D14/348-356, 364-368, 441-446; D13/162, 184, 199; 312/223.1-223.3, 312/351.11; 360/99.01-99.12; 369/34.01-36.01; 361/679.31-679.33, 361/679.37, 679.39, 679.46, 679.53, 679.4, 361/679.41, 727
CPC G06F 1/20; G06F 1/181; G06F 1/187; H05K 7/16; H05K 7/1424; H05H 7/20
See application file for complete search history.

(56) **References Cited**

U.S. PATENT DOCUMENTS

D208,859 S 10/1967 Dubin et al.
D307,423 S * 4/1990 Hill D14/441

5,515,515 A 5/1996 Kennedy et al.
5,913,926 A 6/1999 Anderson et al.
D431,241 S 9/2000 Armstrong et al.
D433,382 S 11/2000 Lytel
D447,746 S 9/2001 Tonozuka et al.
D448,033 S * 9/2001 Anderson et al. D14/441
D455,422 S 4/2002 Bath
D456,022 S 4/2002 Dodson
6,535,381 B2 3/2003 Jahne et al.

(Continued)

FOREIGN PATENT DOCUMENTS

WO 03103359 12/2003
WO 2005124504 12/2005

Primary Examiner — Freda S Nunn

(74) *Attorney, Agent, or Firm* — Sand & Sebolt

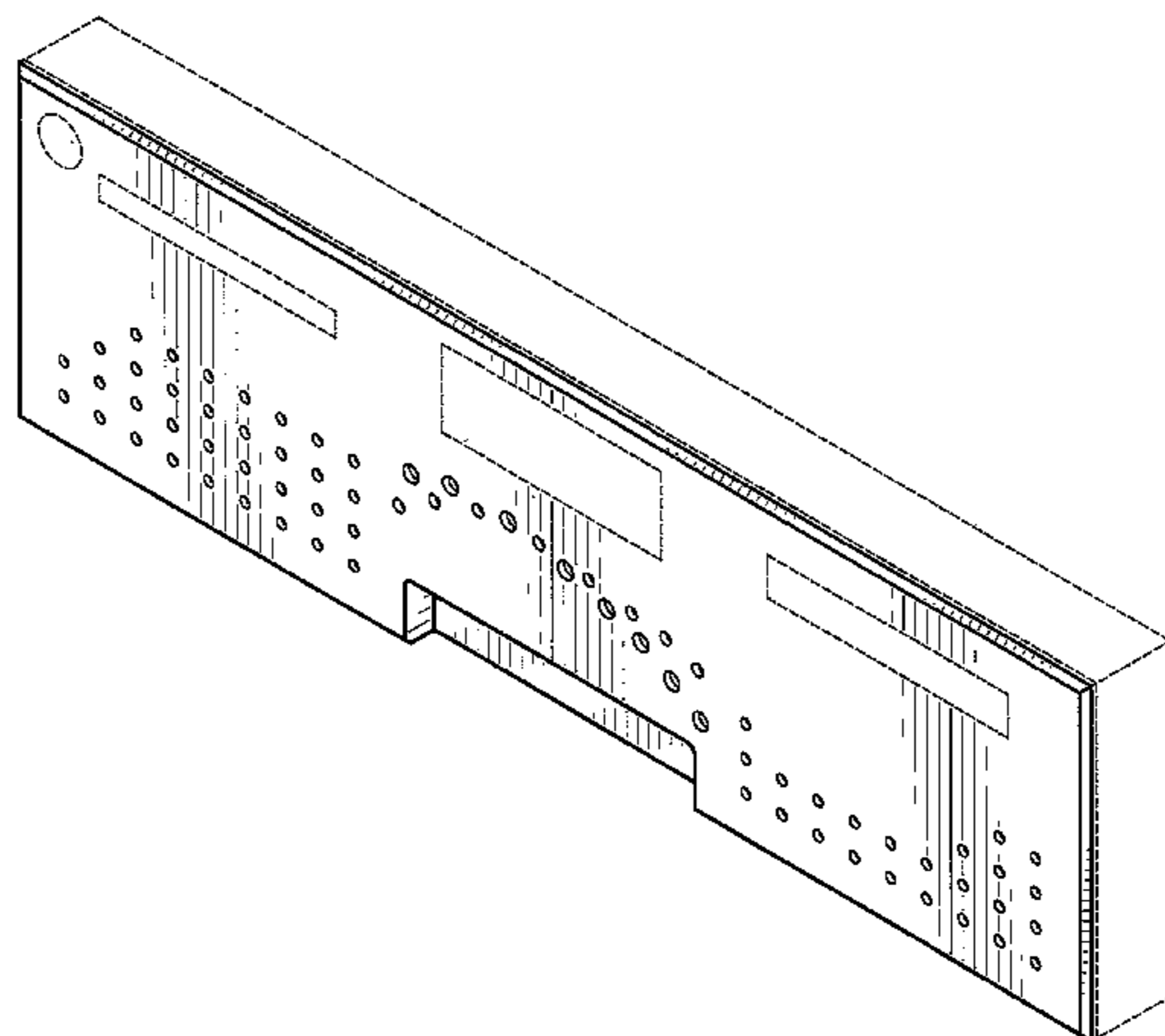
(57) **CLAIM**

The ornamental design for a front panel with openings for air cooling a data storage transfer archive repository, as shown and described.

DESCRIPTION

FIG. 1 is a perspective view of a front panel with openings for air cooling a data storage transfer archive repository, the broken lines being shown for environment only and form no part of the claimed design;
FIG. 2 is another perspective view thereof showing the detailed views of FIGS. 3-5;
FIG. 3 is an enlarged, fragmentary view of the lower, front, left section thereof;
FIG. 4 is an enlarged, fragmentary view of the lower, front, central section thereof;
FIG. 5 is an enlarged, fragmentary view of the lower, front, right section thereof;
FIG. 6 is a front view thereof;
FIG. 7 is a top plan view thereof;
FIG. 8 is a bottom plan view thereof;
FIG. 9 is a left side elevation view thereof; and,
FIG. 10 is a right side elevation view thereof.

1 Claim, 7 Drawing Sheets



(56)

References Cited

U.S. PATENT DOCUMENTS

6,606,253 B2	8/2003	Jackson et al.	7,362,566 B1	4/2008	Sivertsen
6,636,917 B1	10/2003	Linares et al.	7,420,800 B1 *	9/2008	Knapp et al. 361/679.55
6,724,617 B2	4/2004	Amaike et al.	D590,403 S *	4/2009	Wang et al. D14/443
D490,081 S	5/2004	Oura et al.	D608,776 S	1/2010	Kang et al.
D495,699 S	9/2004	Oura et al.	7,848,109 B2	12/2010	Barringer et al.
D495,701 S	9/2004	Murakami et al.	8,244,942 B2	8/2012	Dean et al.
D512,059 S	11/2005	Zhang et al.	D676,039 S	2/2013	Wallace et al.
D523,023 S	6/2006	Hsiung et al.	D679,272 S	4/2013	Frost et al.
D527,390 S	8/2006	Millar et al.	8,451,600 B1	5/2013	Ross
D532,418 S	11/2006	Crisp	8,477,488 B2	7/2013	Aldridge
7,145,775 B2	12/2006	Barsun et al.	8,644,020 B2	2/2014	Lau et al.
D536,674 S	2/2007	Millar et al.	D735,185 S	7/2015	Terwilliger et al.
D537,077 S	2/2007	Ishitsuka et al.	D735,186 S	7/2015	Terwilliger et al.
7,187,547 B1	3/2007	French et al.	2012/0026668 A1	2/2012	Landon
D553,616 S	10/2007	Tosh et al.	2012/0049706 A1	3/2012	Cottuli et al.
7,295,444 B1	11/2007	Wang	2012/0212899 A1	8/2012	Michael et al.
7,298,612 B2	11/2007	Malone	2012/0243172 A1	9/2012	Ross et al.
7,309,279 B2	12/2007	Sharp et al.	2013/0322012 A1	12/2013	Dunwoody et al.
D561,766 S *	2/2008	Deng D14/442	2014/0027393 A1	1/2014	Elwany
			2014/0029196 A1	1/2014	Smith
			2014/0036450 A1	2/2014	Facusse et al.
			2014/0055944 A1	2/2014	McCabe et al.

* cited by examiner

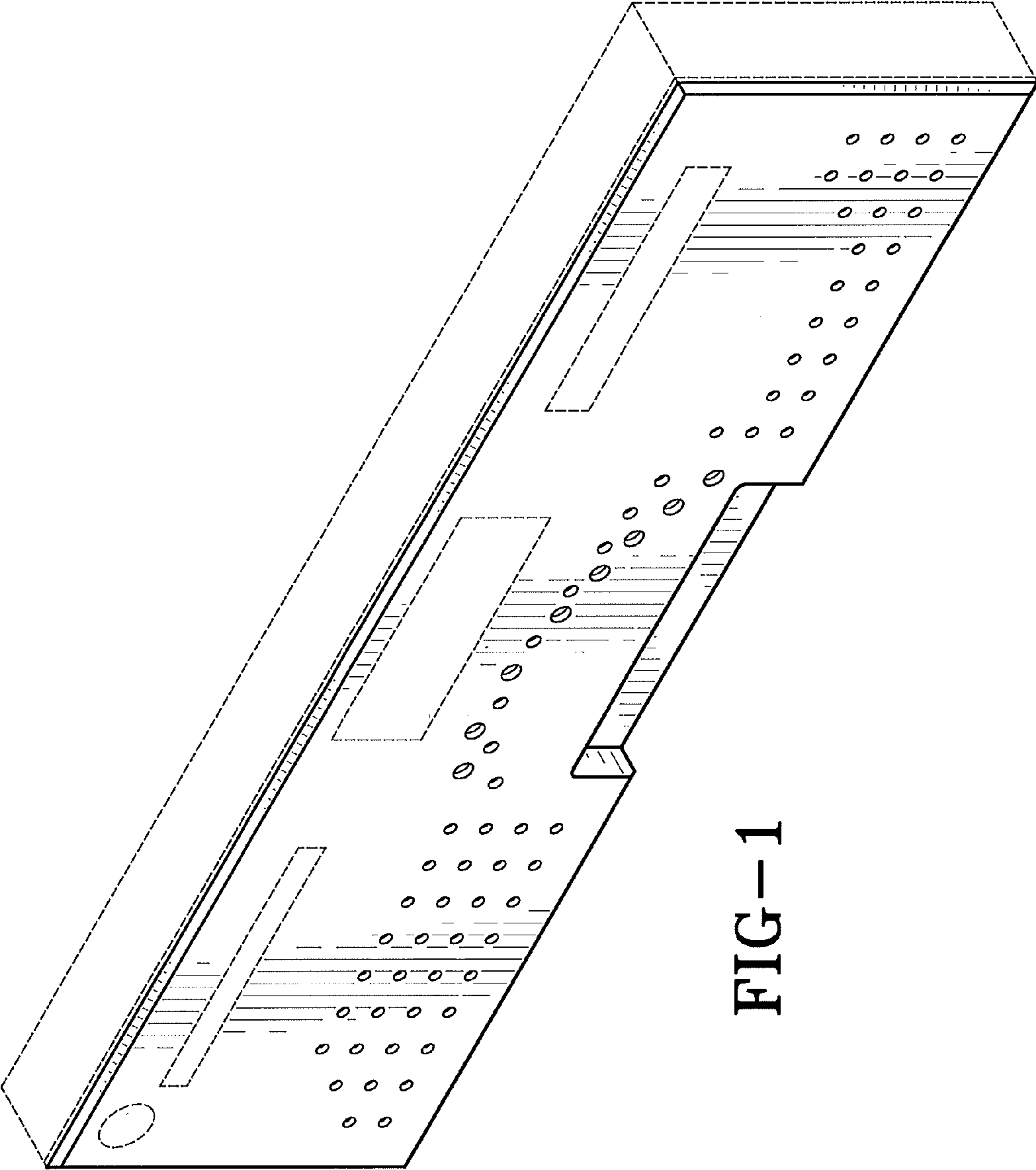


FIG-1

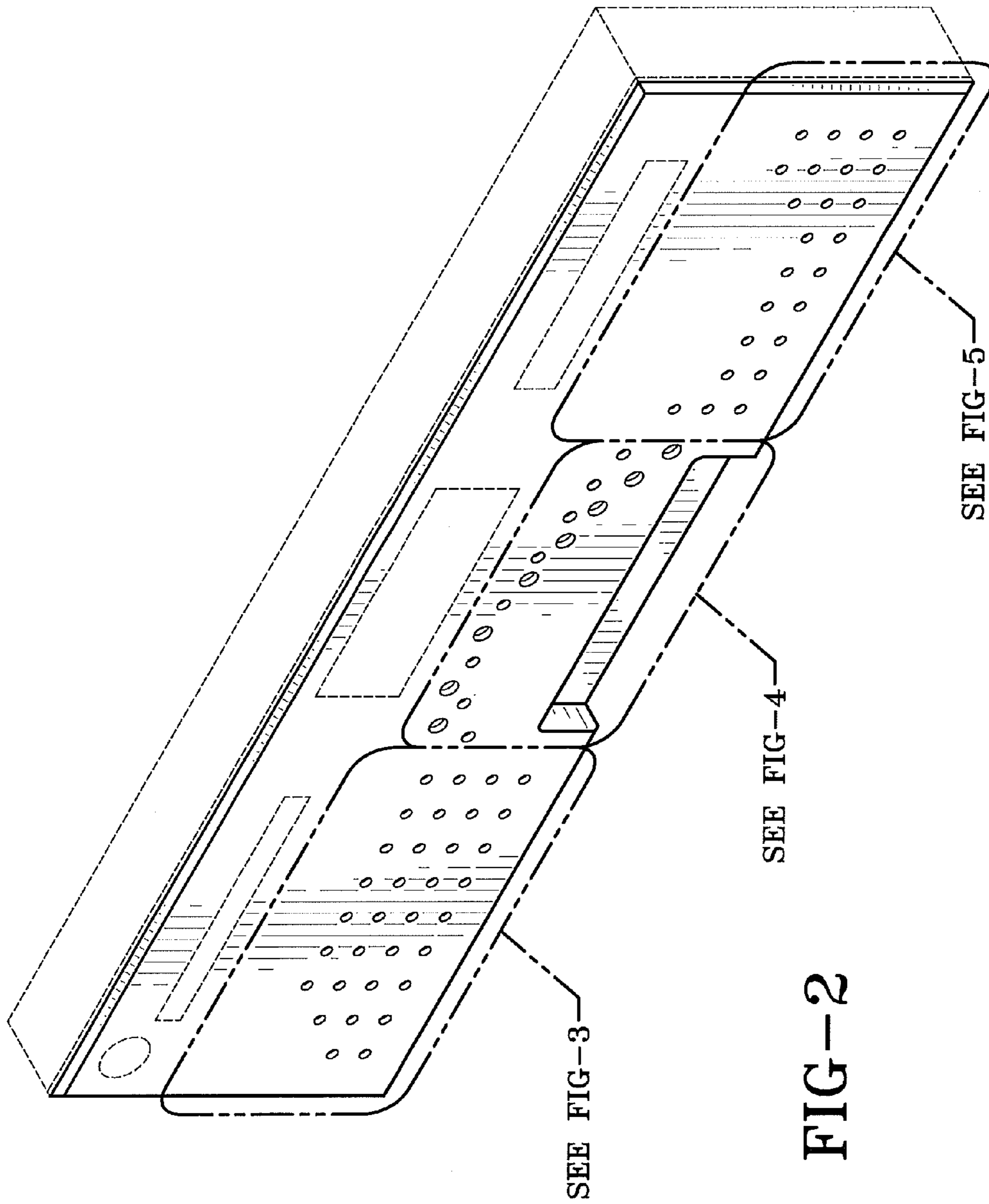


FIG-2

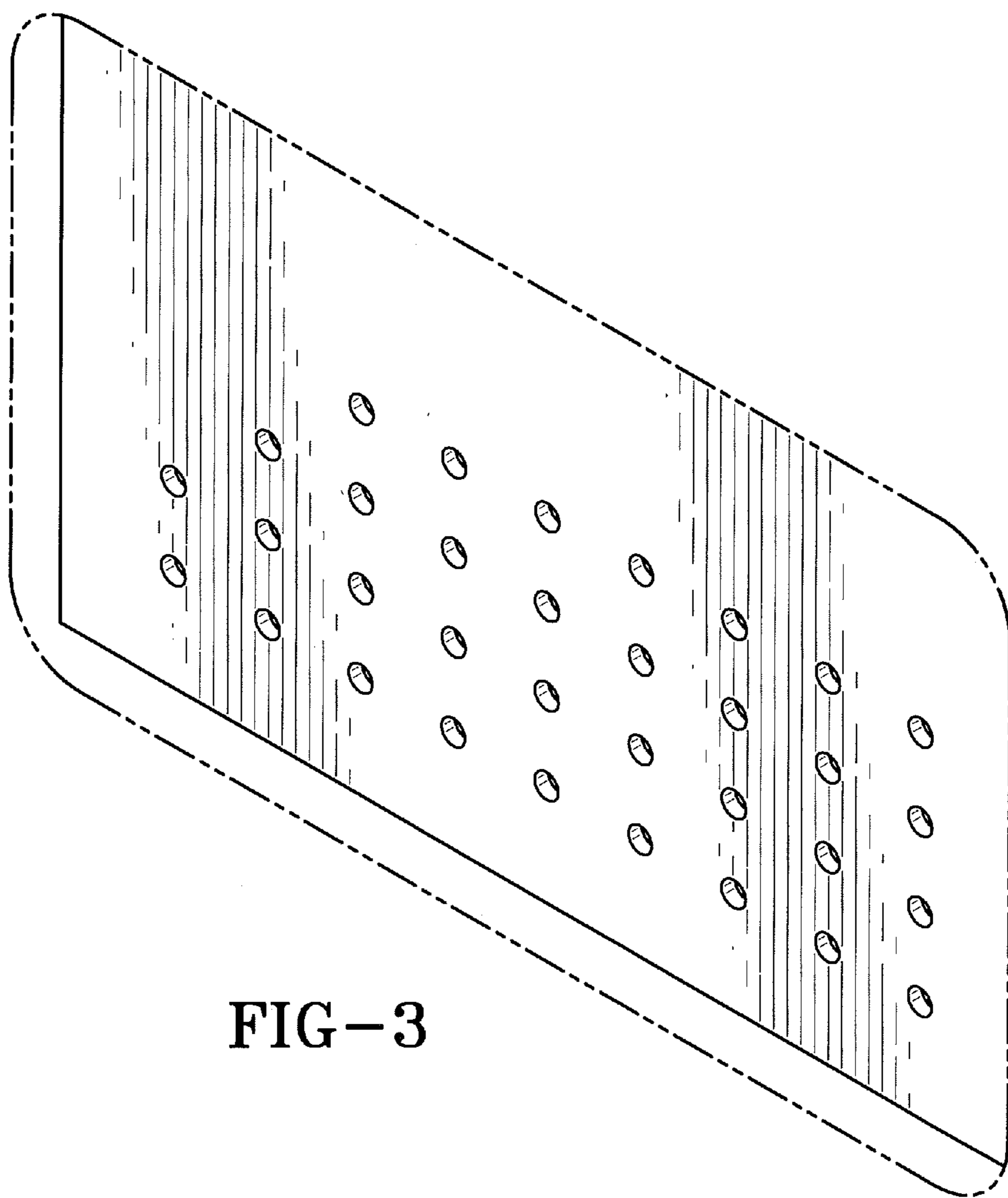


FIG-3

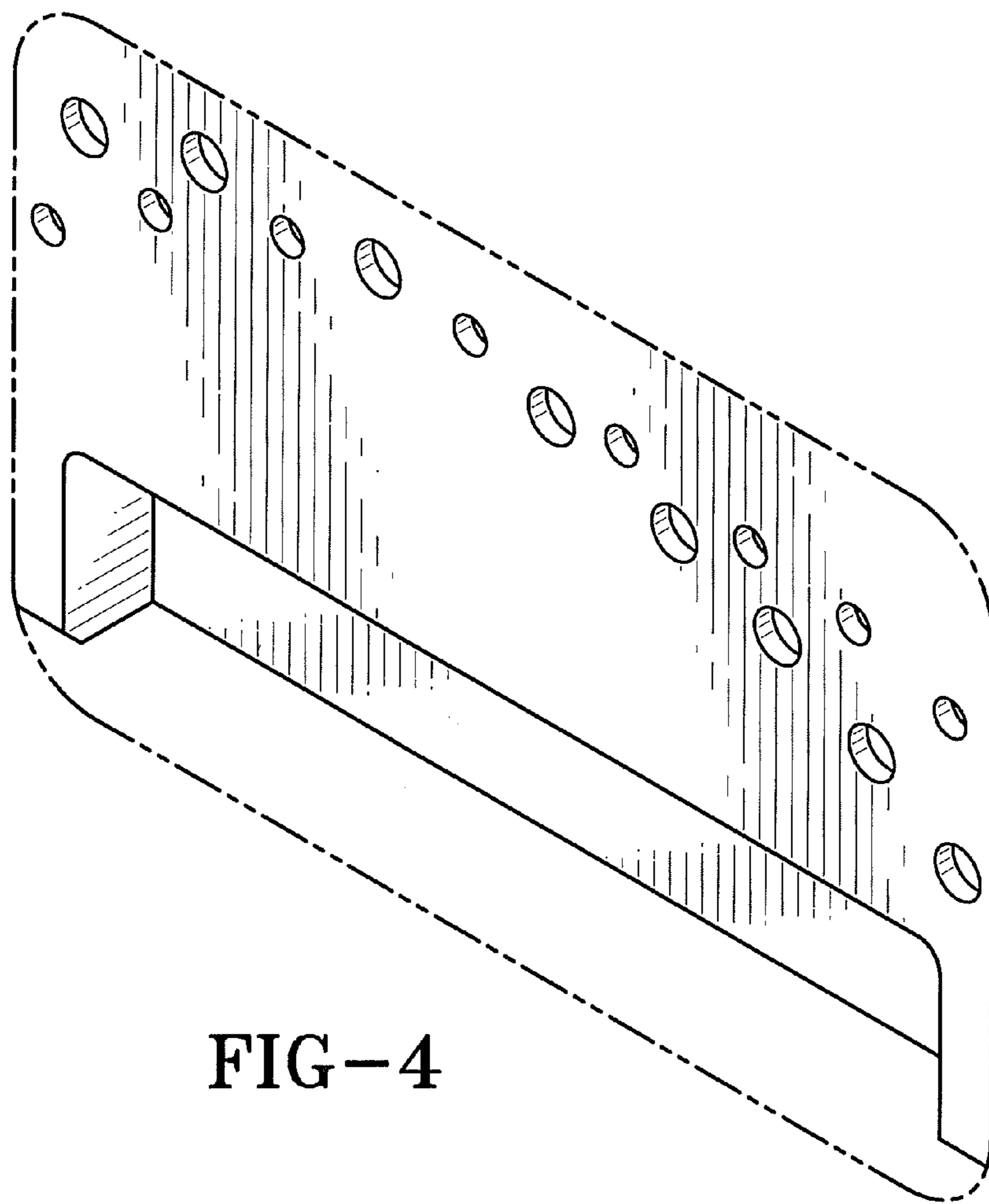


FIG-4

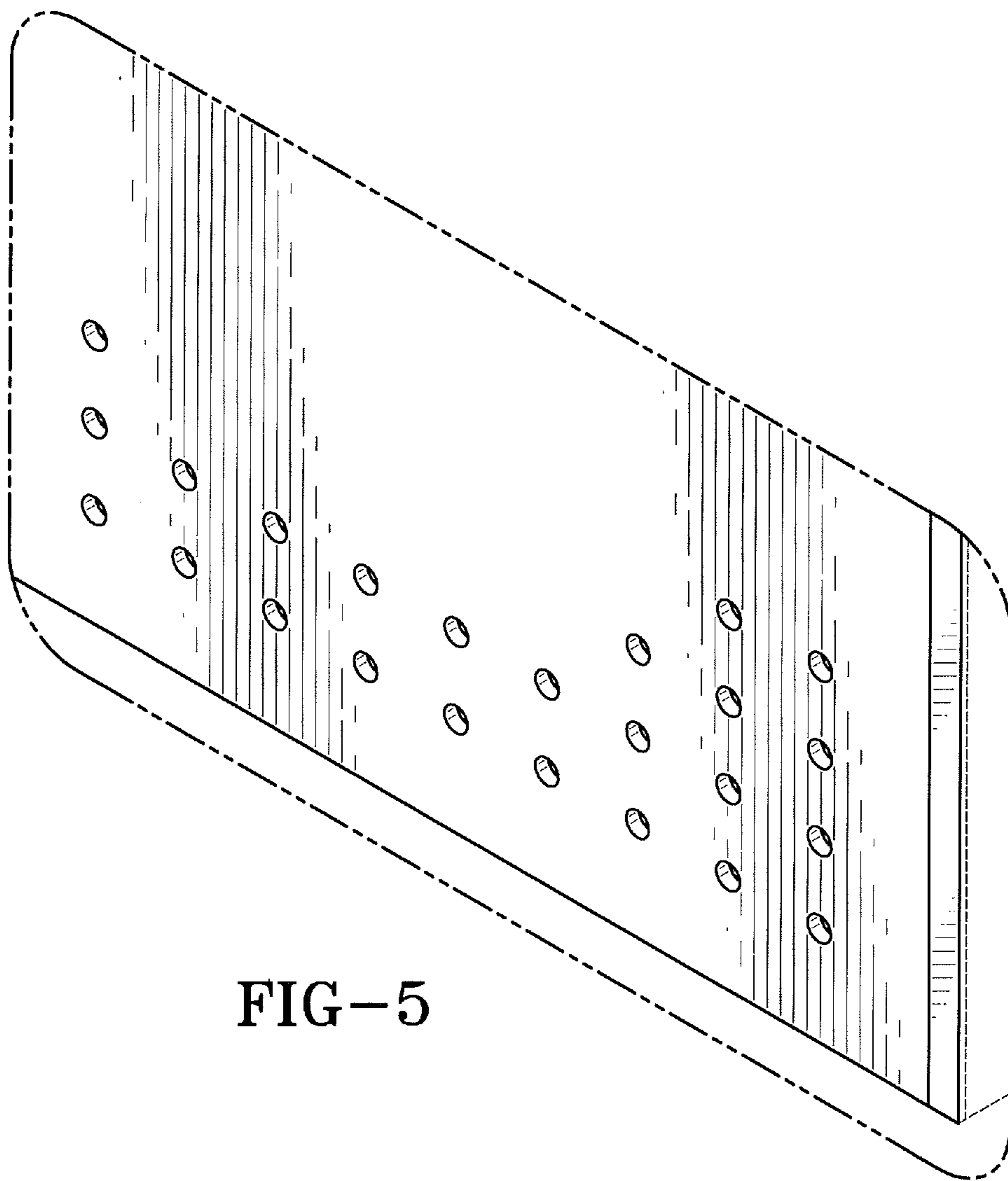


FIG-5

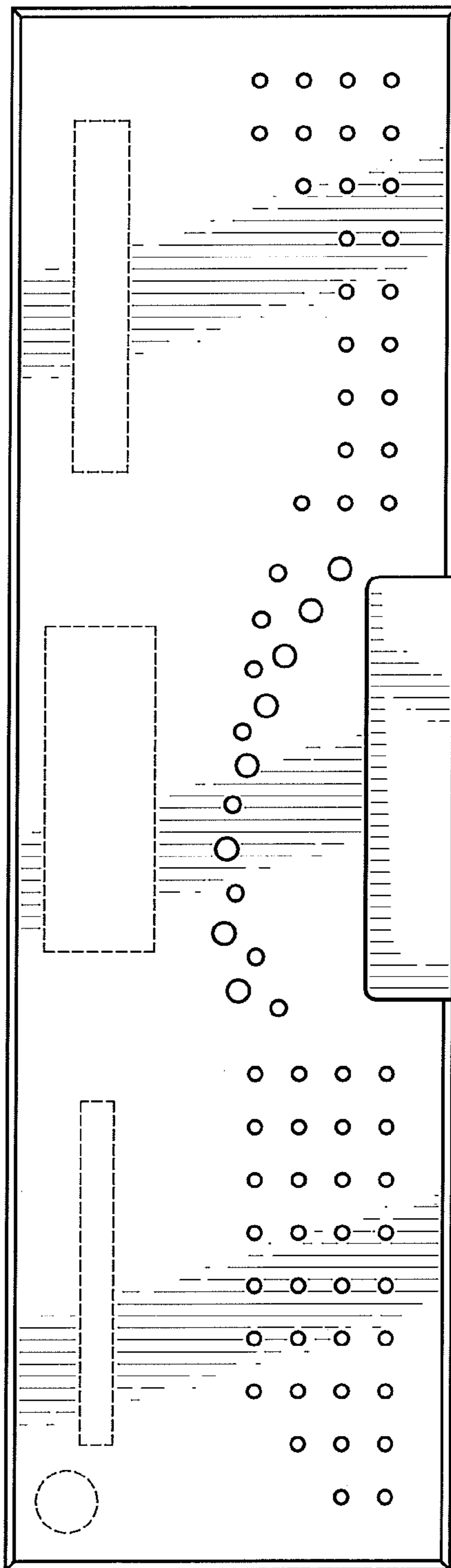


FIG-6

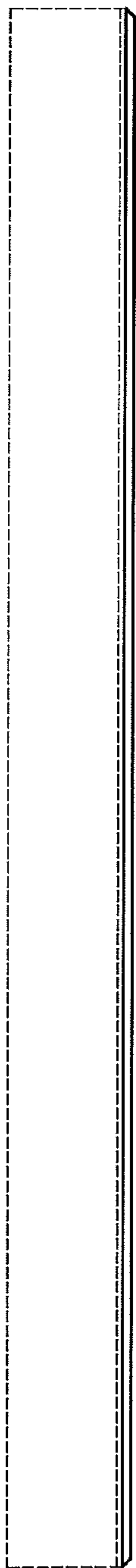


FIG-7

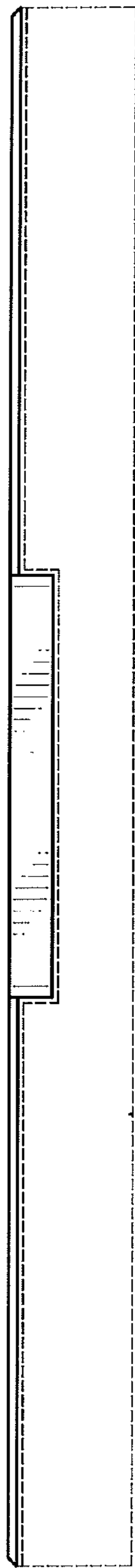


FIG-8

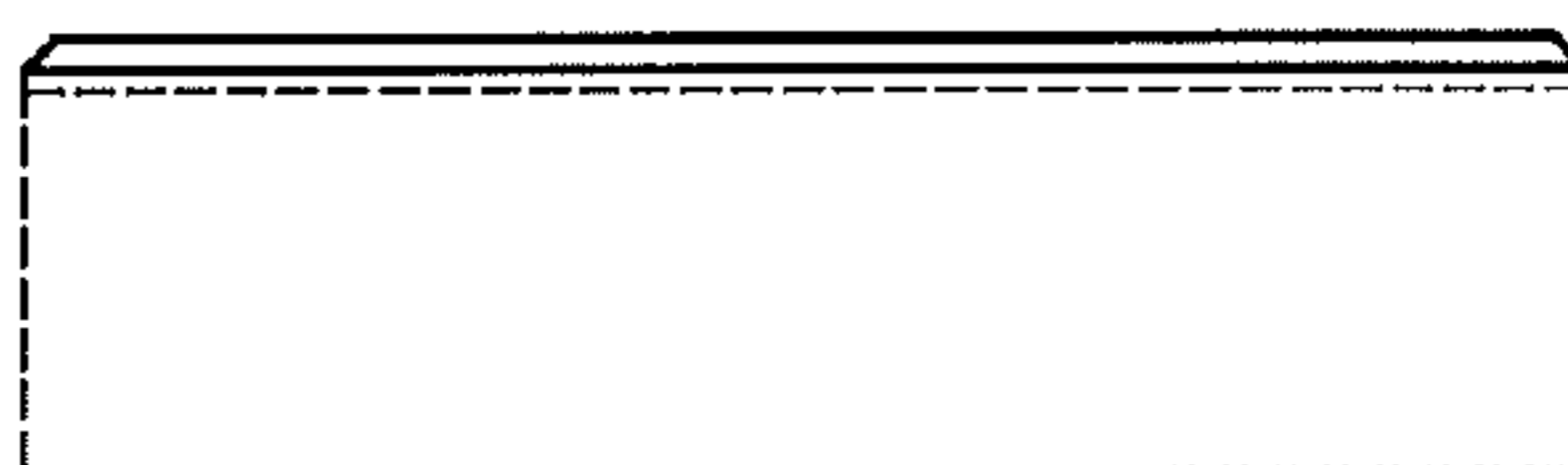


FIG-9



FIG-10