



US00D748629S

(12) **United States Design Patent**
Brown

(10) **Patent No.:** **US D748,629 S**

(45) **Date of Patent:** **** Feb. 2, 2016**

(54) **PANEL**

(71) Applicant: **Biopanel Systems Limited**, West Yorkshire (GB)

(72) Inventor: **Gareth Brown**, Manchester (GB)

(73) Assignee: **BIOPANEL SYSTEMS LIMITED**, West Yorkshire (GB)

(**) Term: **14 Years**

(21) Appl. No.: **29/511,462**

(22) Filed: **Dec. 10, 2014**

(30) **Foreign Application Priority Data**

Jun. 23, 2014 (EP) 002488437-0001

(51) **LOC (10) Cl.** **14-02**

(52) **U.S. Cl.**
USPC **D14/383**

(58) **Field of Classification Search**

USPC D14/383, 159, 155, 167, 154, 168, 188,
D14/496, 165, 158, 137; 455/351, 350, 353;
D10/104.1, 78, 106.1-106.7, 108;
D9/414, 424

CPC G08B 13/1672; G08B 13/19645;
G08B 25/006; H04M 11/04

See application file for complete search history.

(56) **References Cited**

U.S. PATENT DOCUMENTS

D355,170 S * 2/1995 Mizusugi D14/336
D440,565 S * 4/2001 Ono D14/375
D498,235 S * 11/2004 Chen D14/385
D519,100 S * 4/2006 Shioya D14/159
D520,488 S * 5/2006 Fabrizi D14/159

D562,306 S * 2/2008 Jeong D14/159
D597,062 S * 7/2009 Lando D14/159
D684,967 S * 6/2013 Flagiello D14/341
D693,805 S * 11/2013 Sip D14/358

(Continued)

Primary Examiner — Austin Murphy

(74) *Attorney, Agent, or Firm* — Fitch, Even, Tabin & Flannery LLP

(57) **CLAIM**

The ornamental design for a panel, as shown and described.

DESCRIPTION

FIG. 1 is a front top right perspective view of a first embodiment of a panel showing my new design;

FIG. 2 is a front bottom left perspective view of the panel of FIG. 1;

FIG. 3 is a front elevational view of the panel of FIG. 1;

FIG. 4 is a rear elevational view of the panel of FIG. 1;

FIG. 5 is a top plan view of the panel of FIG. 1;

FIG. 6 is a bottom plan view of the panel of FIG. 1;

FIG. 7 is a right side elevational view of the panel of FIG. 1, the left side elevational view being a mirror image thereof;

FIG. 8 is a front top right perspective view of a second embodiment of a panel showing my new design;

FIG. 9 is a front bottom left perspective view of the panel of FIG. 8;

FIG. 10 is a front elevational view of the panel of FIG. 8;

FIG. 11 is a rear elevational view of the panel of FIG. 8;

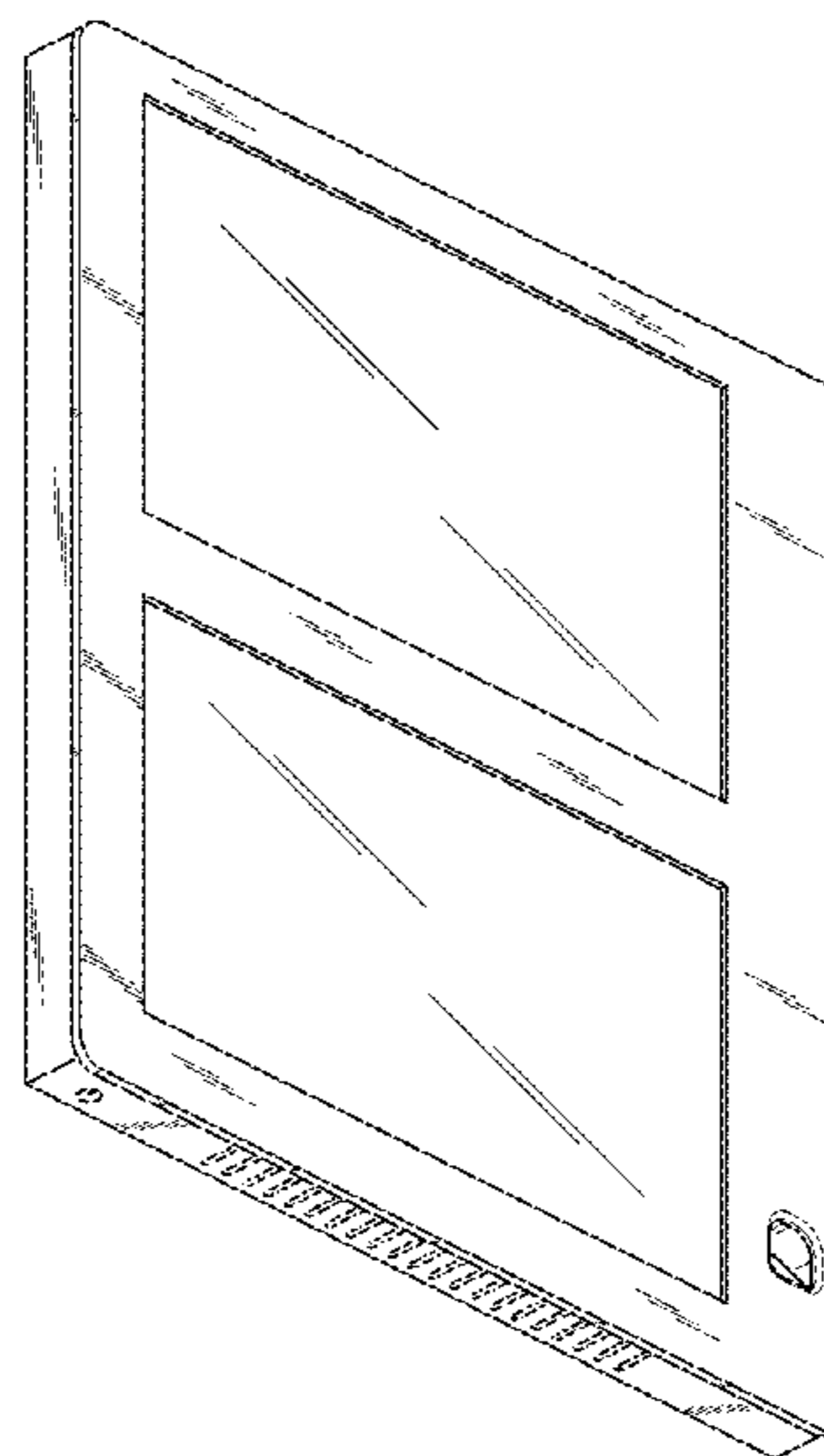
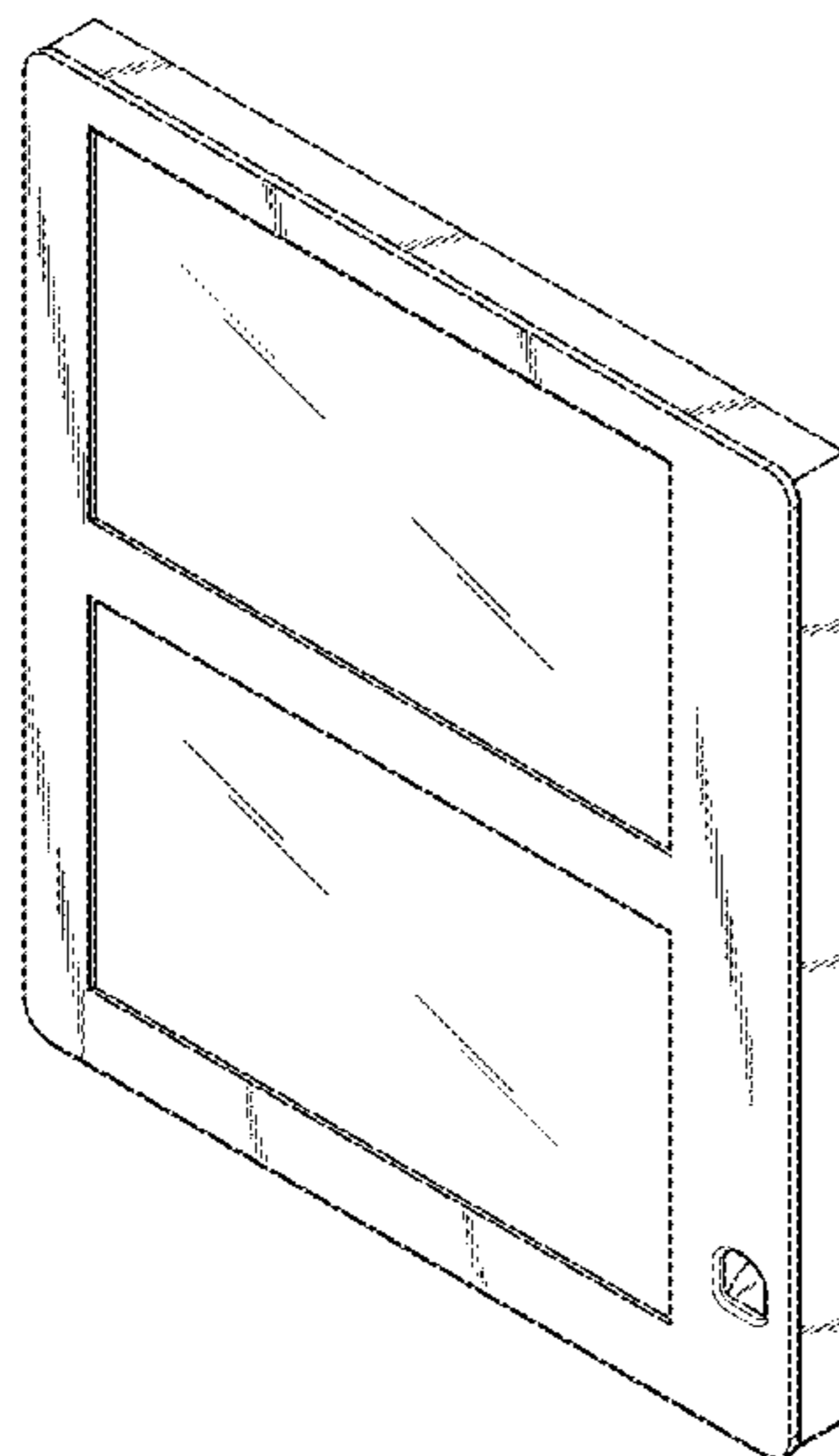
FIG. 12 is a top plan view of the panel of FIG. 8;

FIG. 13 is a bottom plan view of the panel of FIG. 8; and,

FIG. 14 is a right side elevational view of the panel of FIG. 8, the left side elevational view being a mirror image thereof.

The broken lines depict unclaimed environmental subject matter and form no part of the claimed design.

1 Claim, 10 Drawing Sheets



US D748,629 S

Page 2

(56)

References Cited

U.S. PATENT DOCUMENTS

D727,321 S *	4/2015	LaBorde	D14/383
D727,901 S *	4/2015	Nishimura	D14/383
D728,675 S *	5/2015	Daniel	D14/383
D722,301 S *	2/2015	Crippa	D14/159

* cited by examiner

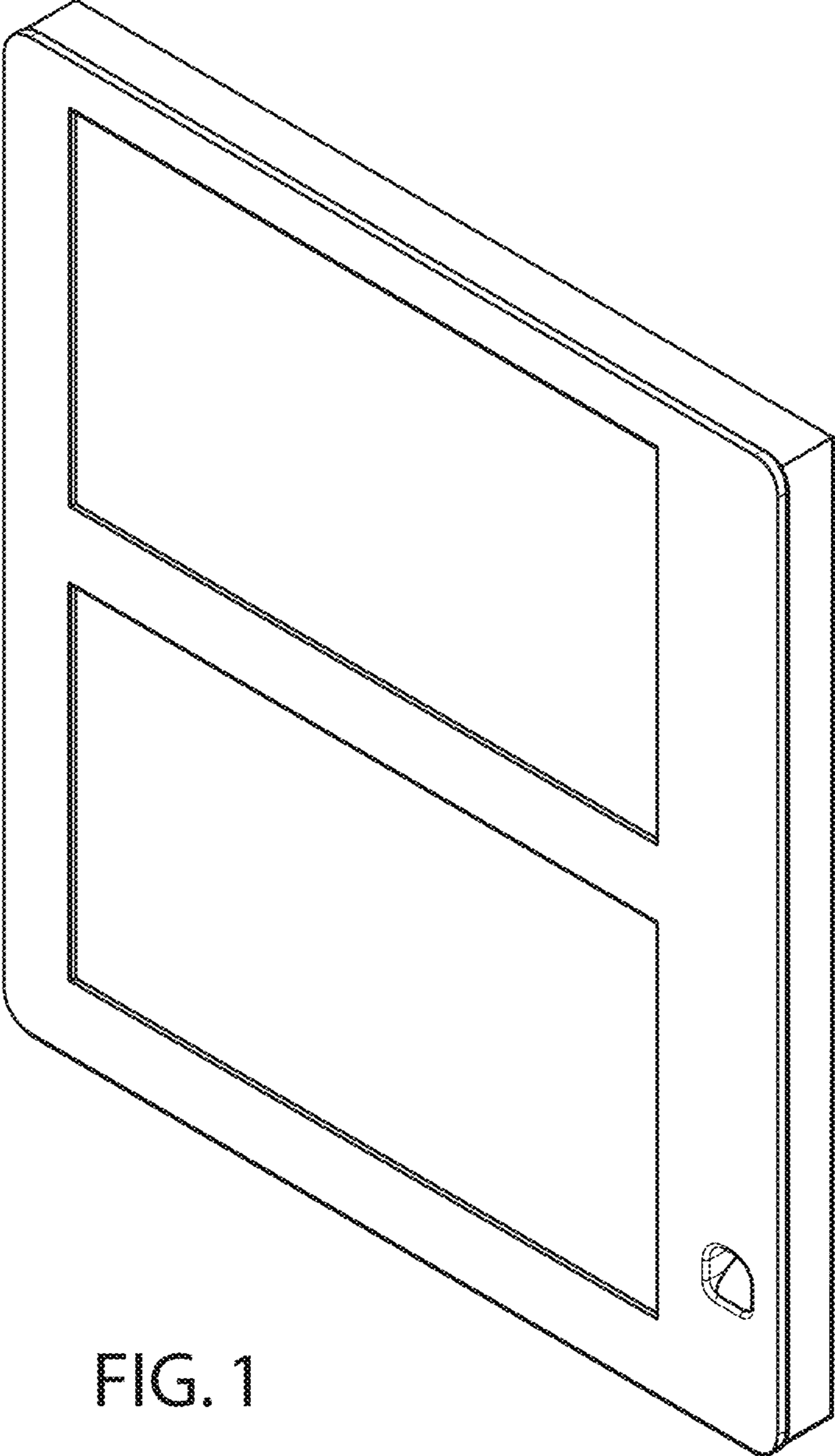


FIG. 1

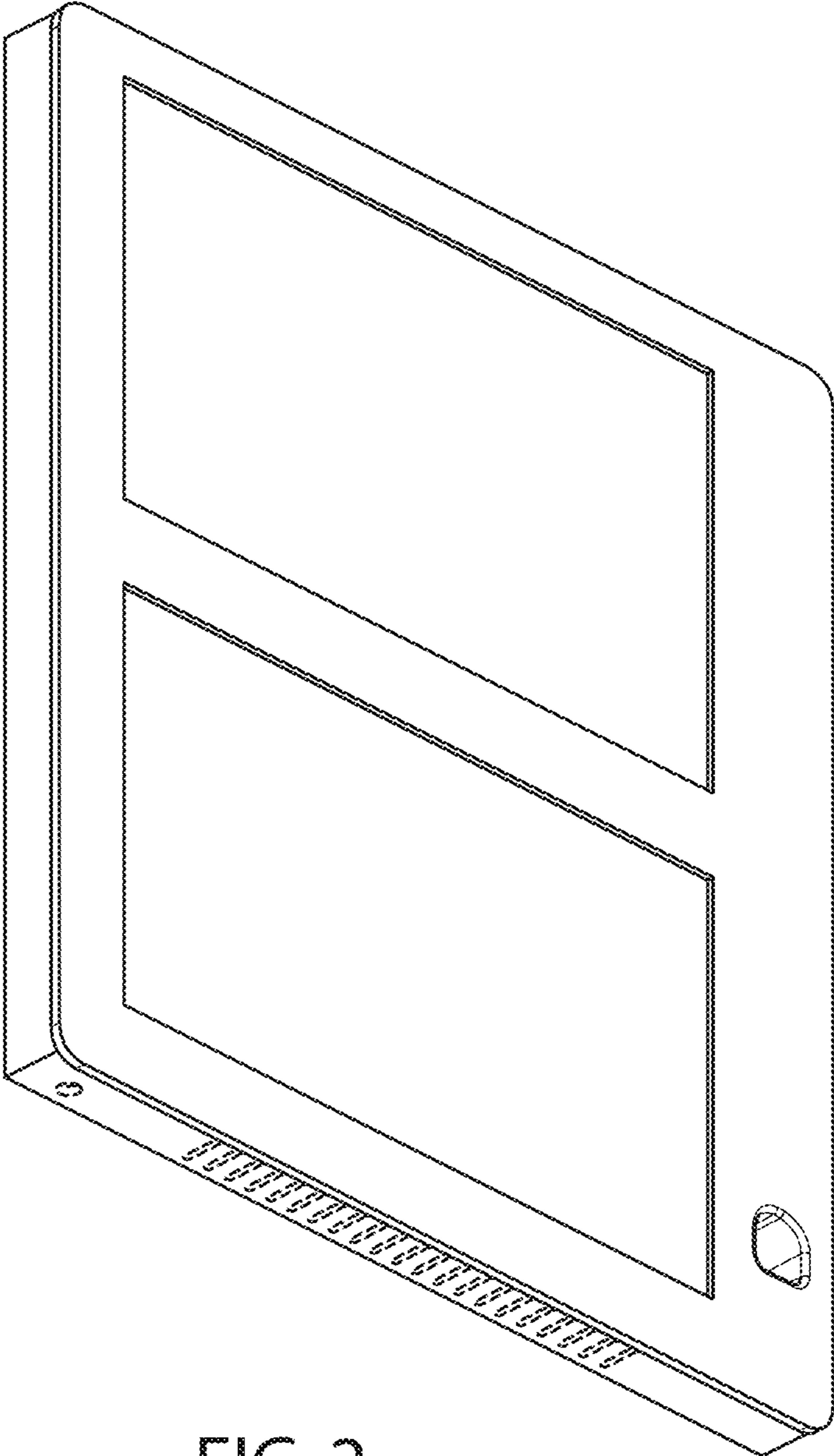


FIG. 2

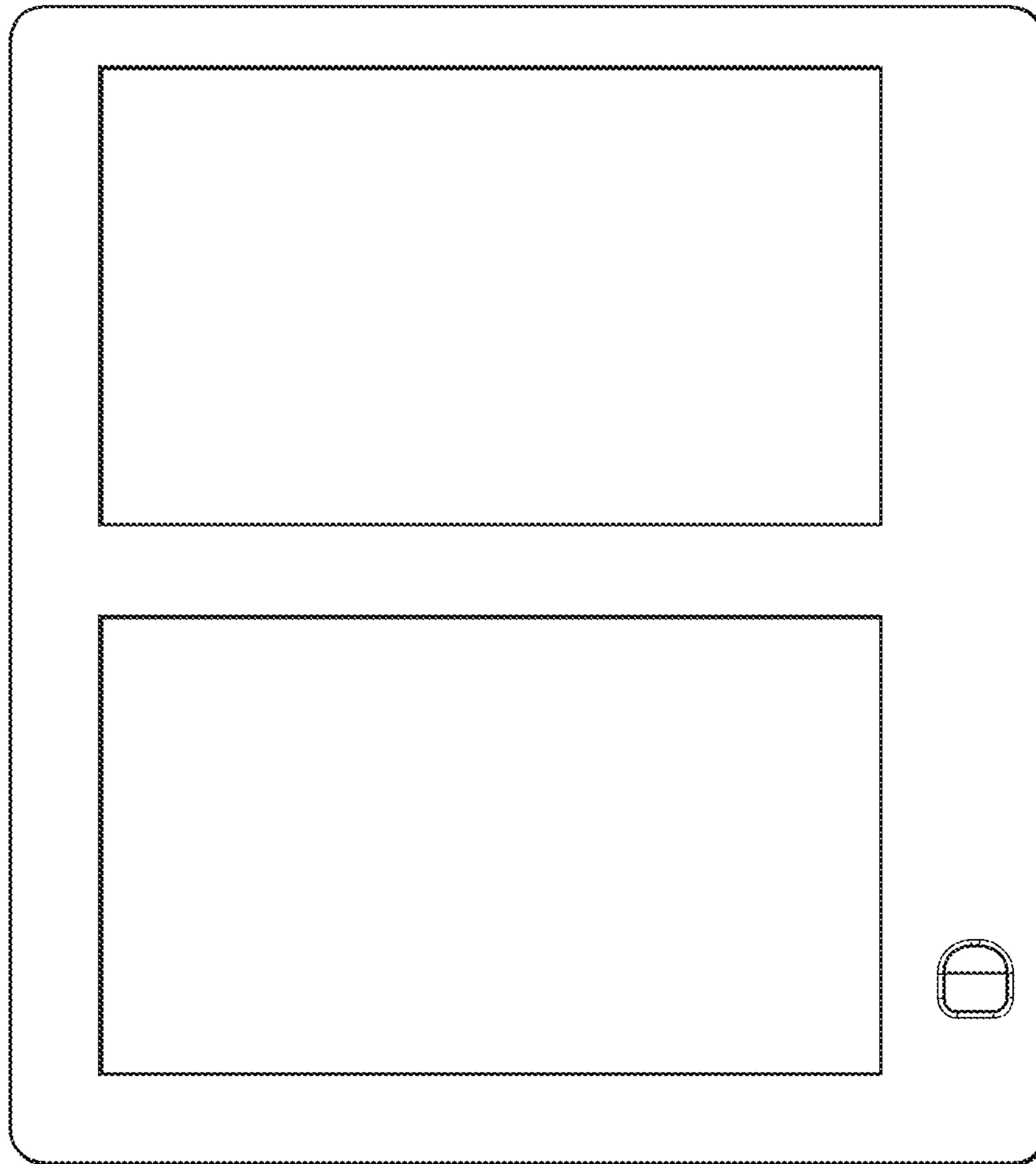


FIG. 3

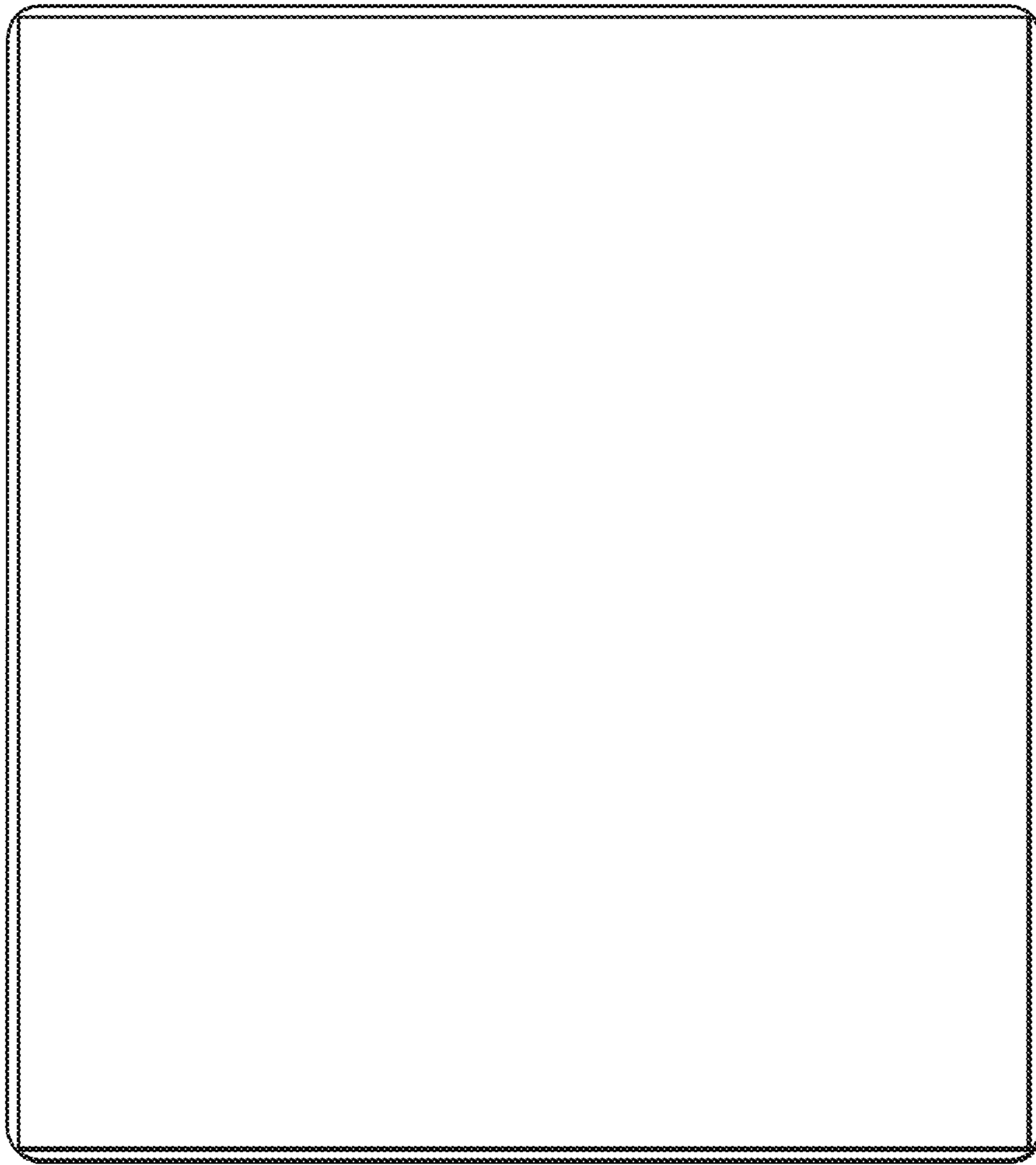


FIG. 4



FIG. 5



FIG. 6

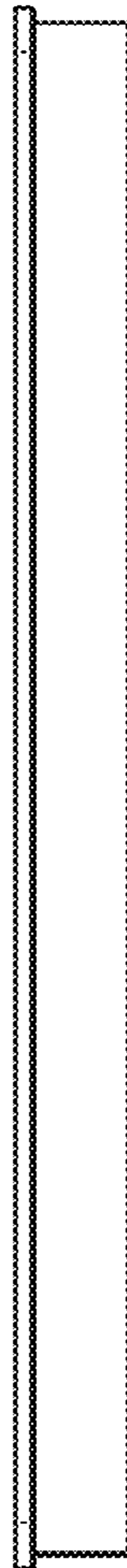


FIG. 7

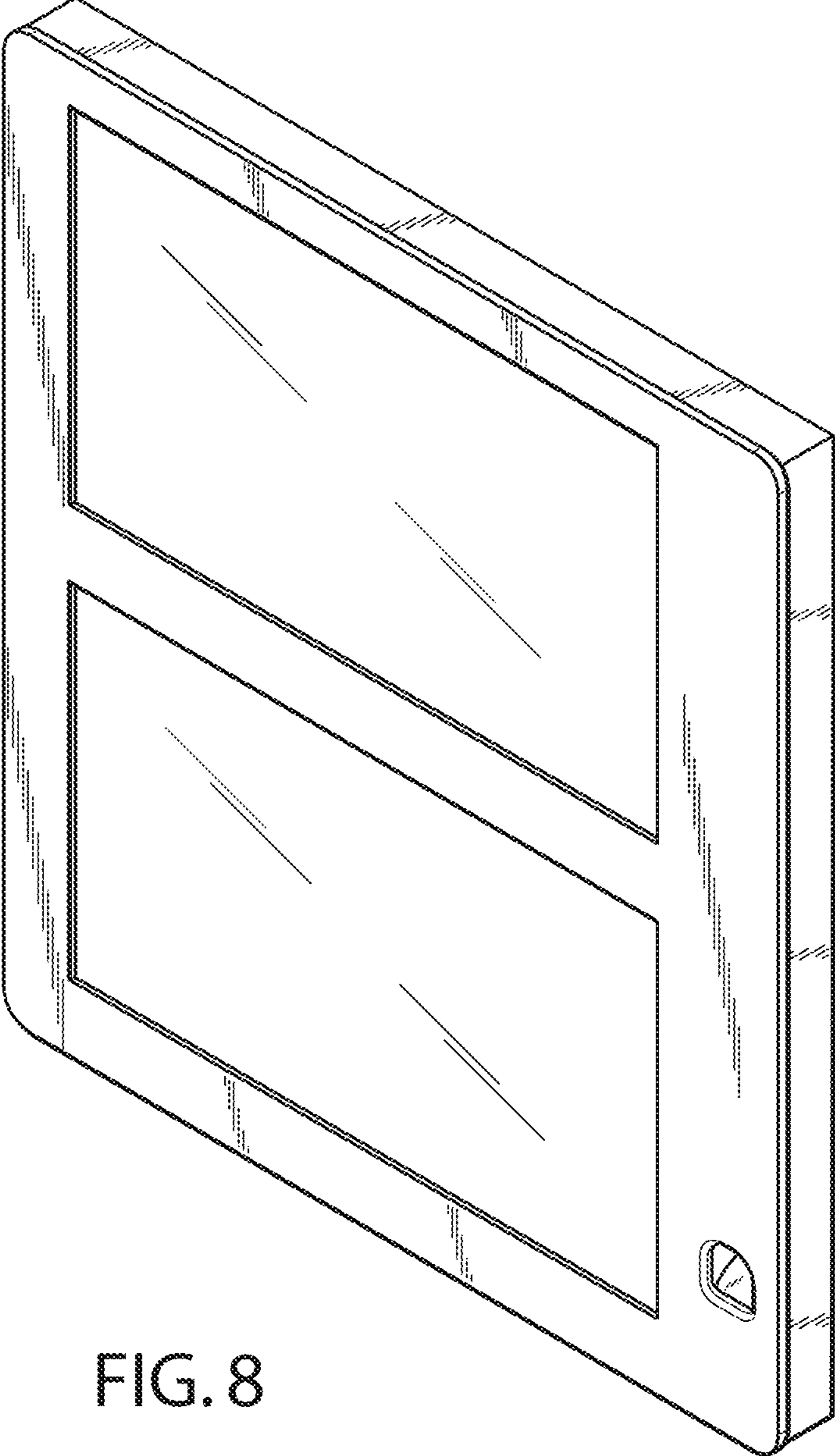


FIG. 8

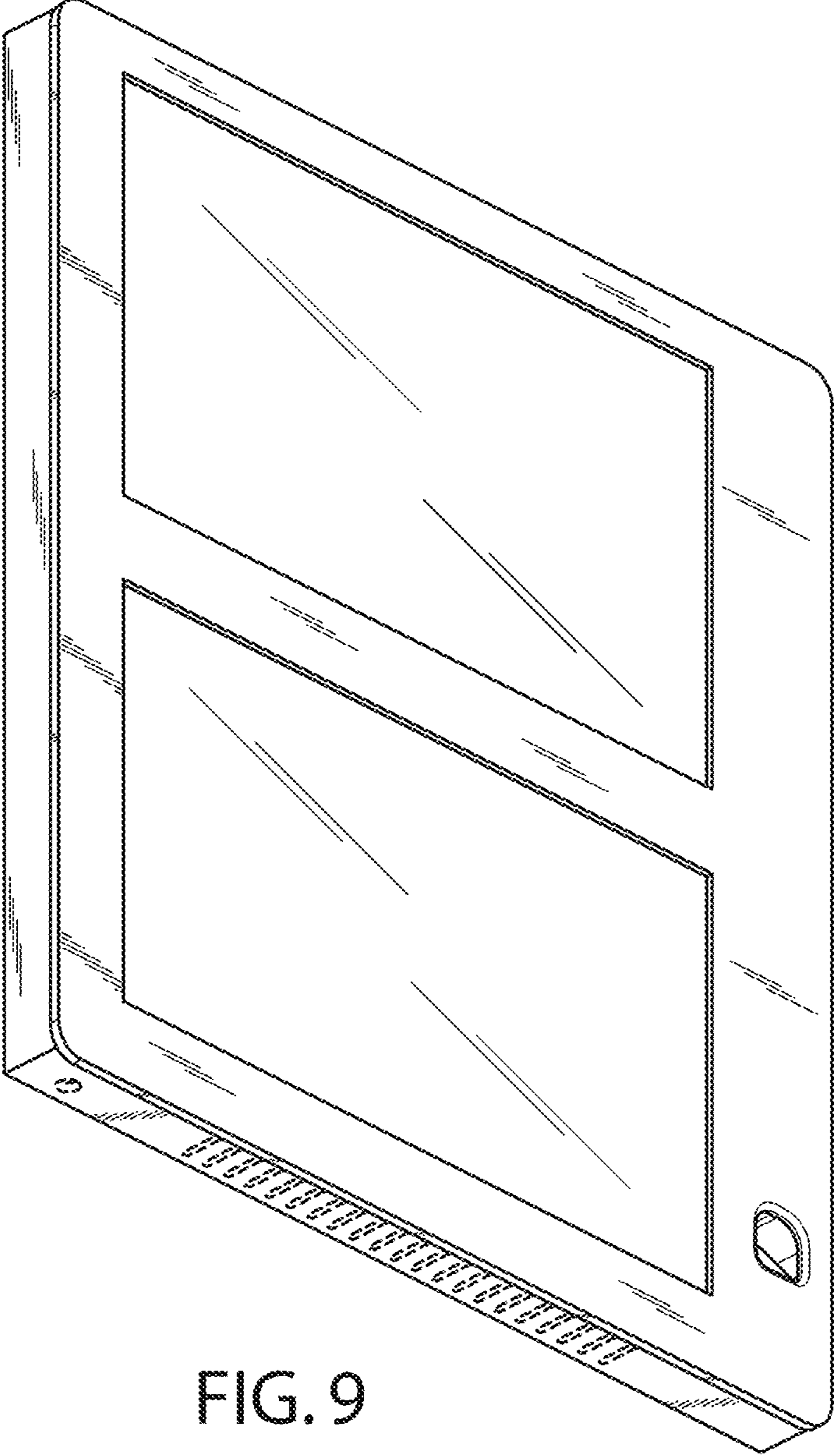


FIG. 9

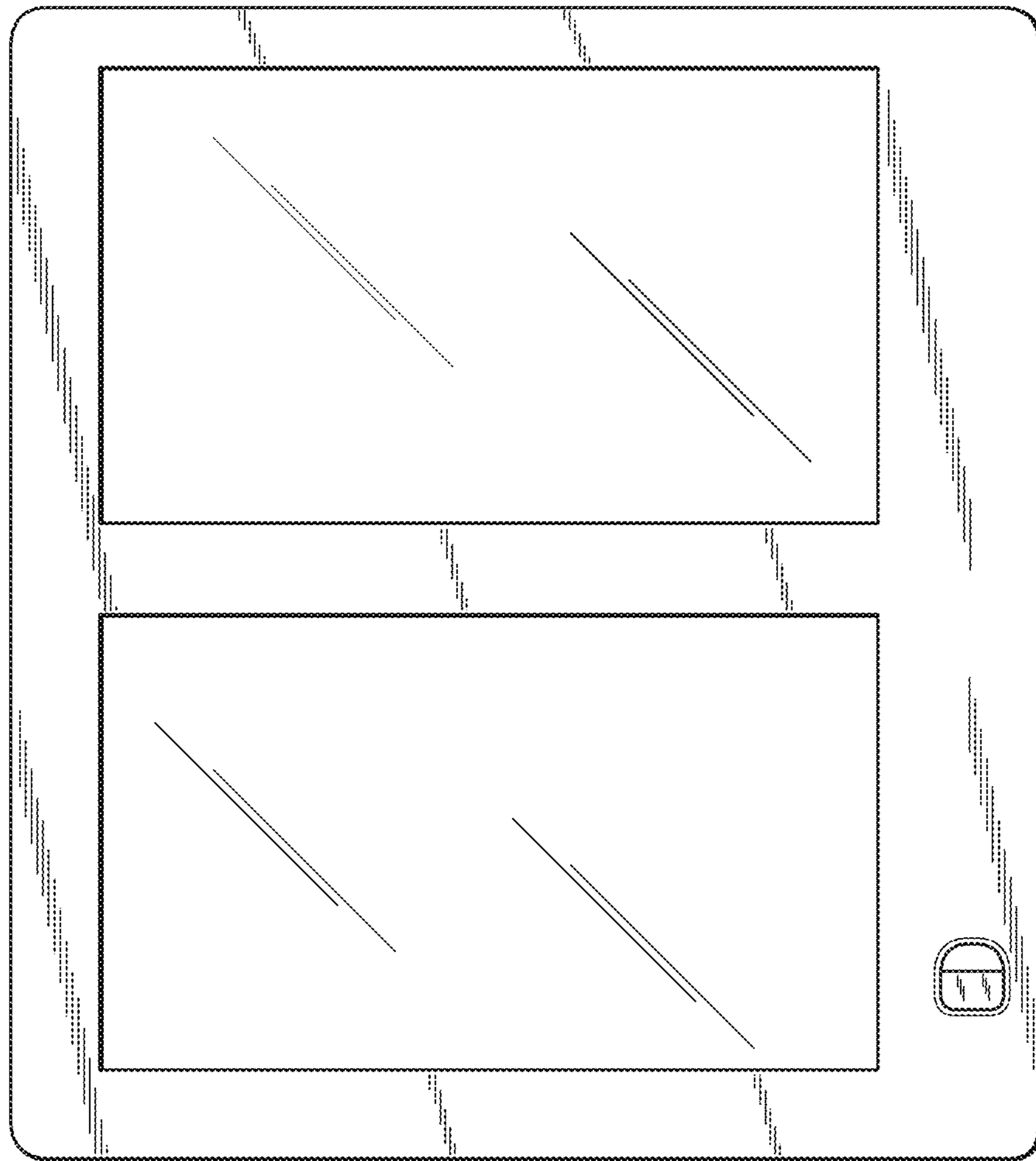


FIG. 10

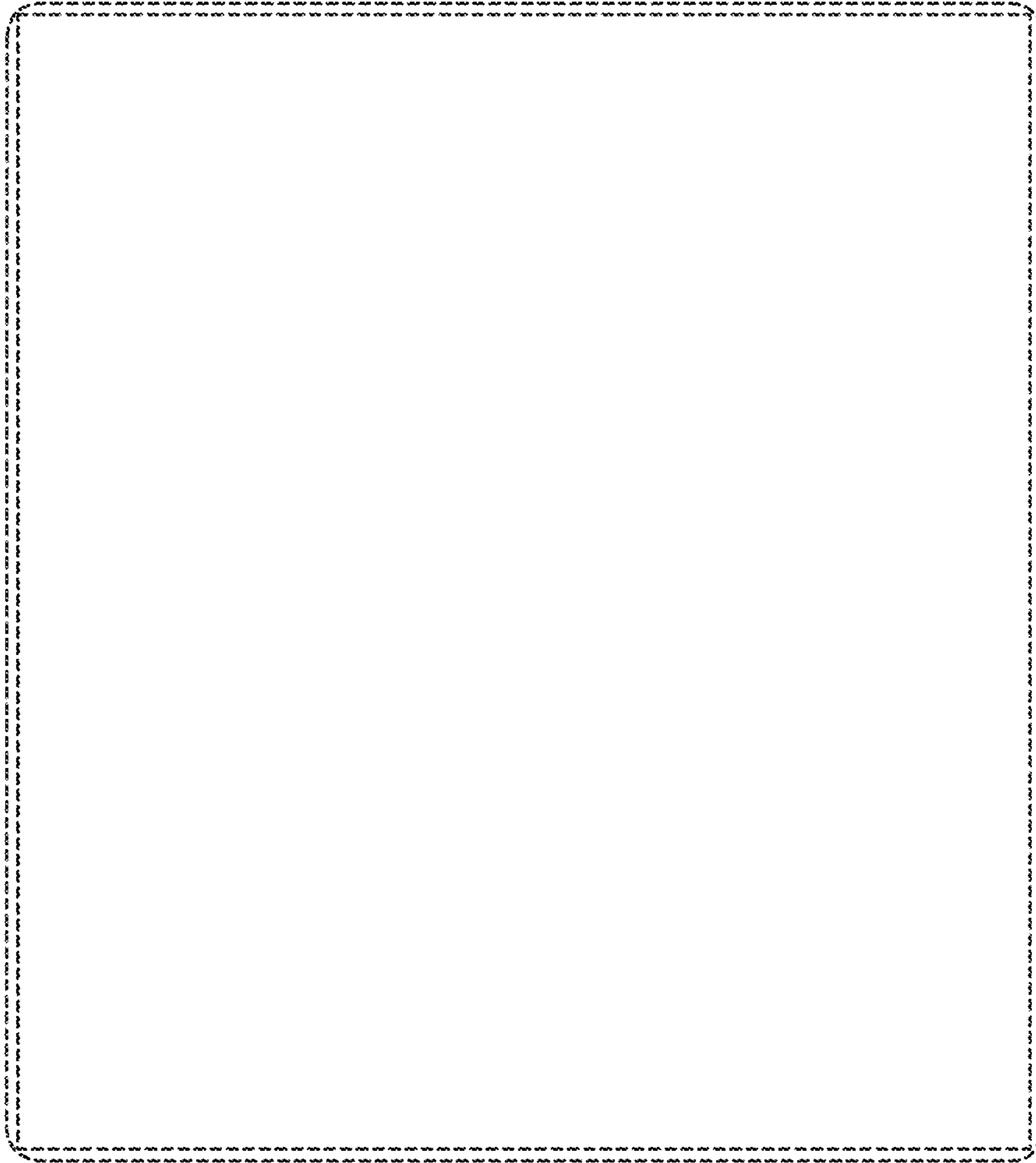


FIG. 11



FIG. 12



FIG. 13

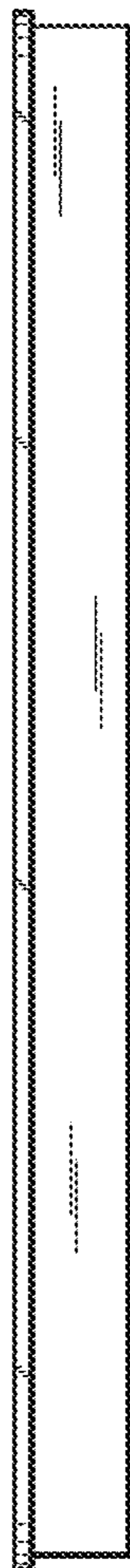


FIG. 14