



US00D748627S

(12) **United States Design Patent**
Russette et al.

(10) **Patent No.:** **US D748,627 S**
(45) **Date of Patent:** **** Feb. 2, 2016**

(54) **FRONT PANEL WITH OPENINGS FOR AIR COOLING A DATA STORAGE TRANSFER ARCHIVE REPOSITORY**

FOREIGN PATENT DOCUMENTS

WO 03103359 12/2003
WO 2005124504 12/2005

(71) Applicant: **BAE Systems Information And Electronic Systems Integration Inc.**, Nashua, NH (US)

Primary Examiner — Rosemary K Tarcza
Assistant Examiner — Nathaniel D Buckner
(74) *Attorney, Agent, or Firm* — Sand & Sebolt

(72) Inventors: **Andrew R. Russette**, Silver Spring, MD (US); **Aaron R. Oberste**, Severn, MD (US); **Alexa D. Oberste**, Severn, MD (US); **Anthony P. Antoniadis**, Fulton, MD (US); **Matthew F. Guenette**, Baltimore, MD (US)

(57) **CLAIM**

The ornamental design for a front panel with openings for air cooling a data storage transfer archive repository, as shown and described.

(73) Assignee: **BAE Systems Information and Electronic Systems Integration Inc.**, Nashua, NH (US)

DESCRIPTION

(**) Term: **14 Years**

(21) Appl. No.: **29/496,228**

(22) Filed: **Jul. 10, 2014**

(51) **LOC (10) Cl.** **14-02**

(52) **U.S. Cl.**
USPC **D14/356**

(58) **Field of Classification Search**
USPC D14/300–302, 314, 348–370, 383–385, D14/435, 496, 135, 155, 299, 180, 140.4; D13/103, 119, 162, 184, 199; D10/65, D10/75, 78; D9/432; D3/273
CPC G11B 20/1833; G11B 33/125; G11B 33/128; G06F 1/187; G06F 1/20; G06F 3/0689

See application file for complete search history.

FIG. 1 is a perspective view of a front panel with openings for air cooling a data storage transfer archive repository showing our new design;
FIG. 2 is a second perspective view thereof, showing the locations of detail views FIG. 2A-2C;
FIG. 2A is an enlarged detail view thereof;
FIG. 2B is a second enlarged detailed view thereof;
FIG. 2C is a third enlarged detailed view thereof;
FIG. 3 is a front elevation view thereof;
FIG. 4 is top plan view thereof;
FIG. 5 is a bottom plan view thereof;
FIG. 6 is a right side elevation view thereof;
FIG. 7 is a left side elevation view thereof.
FIG. 8 is a perspective view of a front panel with openings for air cooling a data storage transfer archive repository showing a second embodiment of our new design;
FIG. 9 is a second perspective view thereof, showing the locations of detail views FIG. 9A-9C;
FIG. 9A is an enlarged detail view thereof;
FIG. 9B is a second enlarged detailed view thereof;
FIG. 9C is a third enlarged detailed view thereof;
FIG. 10 is a front elevation view thereof;
FIG. 11 is top plan view thereof;
FIG. 12 is a bottom plan view thereof;
FIG. 13 is a right side elevation view thereof; and,
FIG. 14 is a left side elevation view thereof.

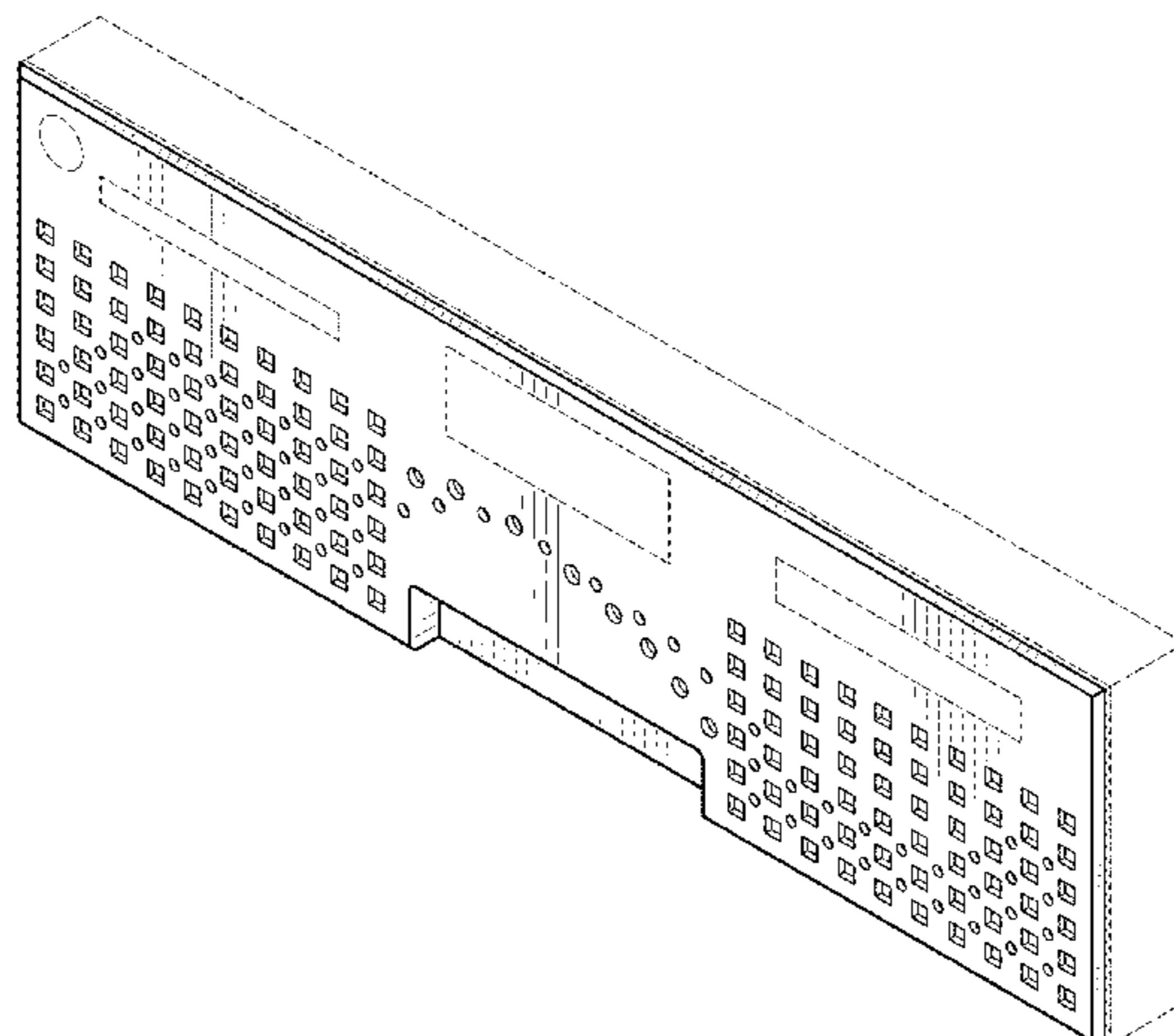
(56) **References Cited**

U.S. PATENT DOCUMENTS

D208,859 S * 10/1967 Dublin et al. D13/184
D307,423 S 4/1990 Hill
5,515,515 A 5/1996 Kennedy et al.

(Continued)

1 Claim, 14 Drawing Sheets



(56)

References Cited

U.S. PATENT DOCUMENTS

5,913,926	A	6/1999	Anderson et al.		7,295,444	B1	11/2007	Wang
D431,241	S *	9/2000	Armstrong	D14/348	7,298,612	B2	11/2007	Malone
D433,382	S *	11/2000	Lytel	D13/123	7,309,279	B2	12/2007	Sharp et al.
D447,746	S *	9/2001	Tonozuka	D14/348	D561,766	S	2/2008	Deng
D448,033	S	9/2001	Anderson et al.		7,362,566	B1	4/2008	Sivertsen
D455,422	S *	4/2002	Bath	D14/301	7,420,800	B1	9/2008	Knapp et al.
D456,022	S *	4/2002	Dodson	D14/355	D590,403	S	4/2009	Wang et al.
6,535,381	B2	3/2003	Jahne et al.		D608,776	S *	1/2010	Kang
6,606,253	B2	8/2003	Jackson et al.		7,848,109	B2	12/2010	Barringer et al.
6,636,917	B1	10/2003	Linares et al.		8,244,942	B2	8/2012	Dean et al.
6,724,617	B2	4/2004	Amaike et al.		D676,039	S *	2/2013	Wallace
D490,081	S *	5/2004	Oura	D14/358	D679,272	S *	4/2013	Frost
D495,699	S *	9/2004	Oura	D14/356	8,451,600	B1	5/2013	Ross
D495,701	S *	9/2004	Murakami	D14/356	8,477,488	B2	7/2013	Aldridge
D512,059	S *	11/2005	Zhang	D14/348	8,644,020	B2	2/2014	Lau et al.
D523,023	S *	6/2006	Hsiung	D14/168	D735,185	S *	7/2015	Terwilliger
D527,390	S *	8/2006	Millar	D13/184	D735,186	S *	7/2015	Terwilliger
D532,418	S *	11/2006	Crisp	D14/313	2012/0026668	A1	2/2012	Landon
7,145,775	B2	12/2006	Barsun et al.		2012/0049706	A1	3/2012	Cottuli et al.
D536,674	S *	2/2007	Millar	D13/184	2012/0212899	A1	8/2012	Michael et al.
D537,077	S *	2/2007	Ishitsuka	D14/362	2012/0243172	A1	9/2012	Ross et al.
7,187,547	B1	3/2007	French et al.		2013/0322012	A1	12/2013	Dunwoody et al.
D553,616	S *	10/2007	Tosh	D14/301	2014/0027393	A1	1/2014	Elwany
					2014/0029196	A1	1/2014	Smith
					2014/0036450	A1	2/2014	Facusse et al.
					2014/0055944	A1	2/2014	McCabe et al.

* cited by examiner

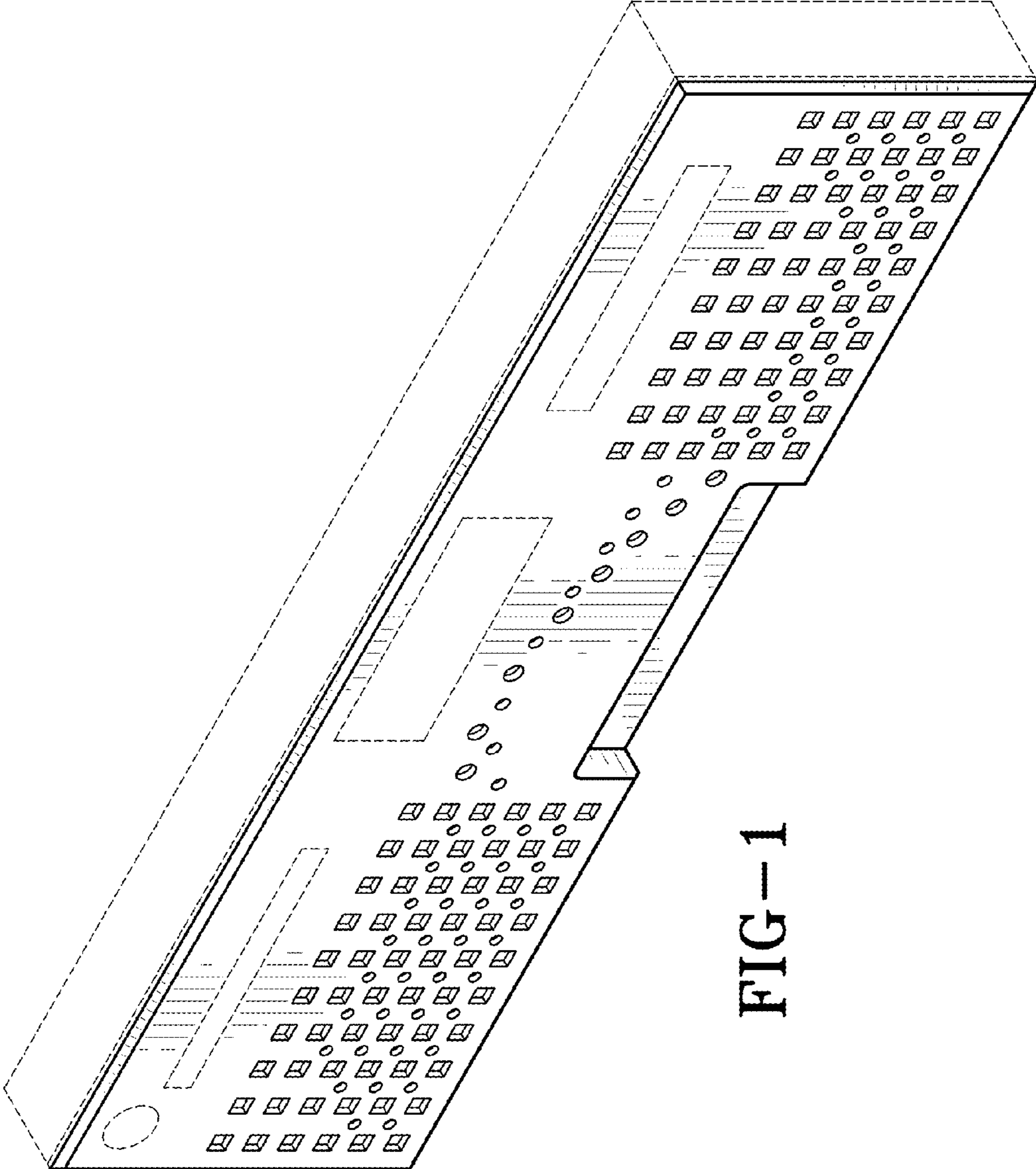


FIG-1

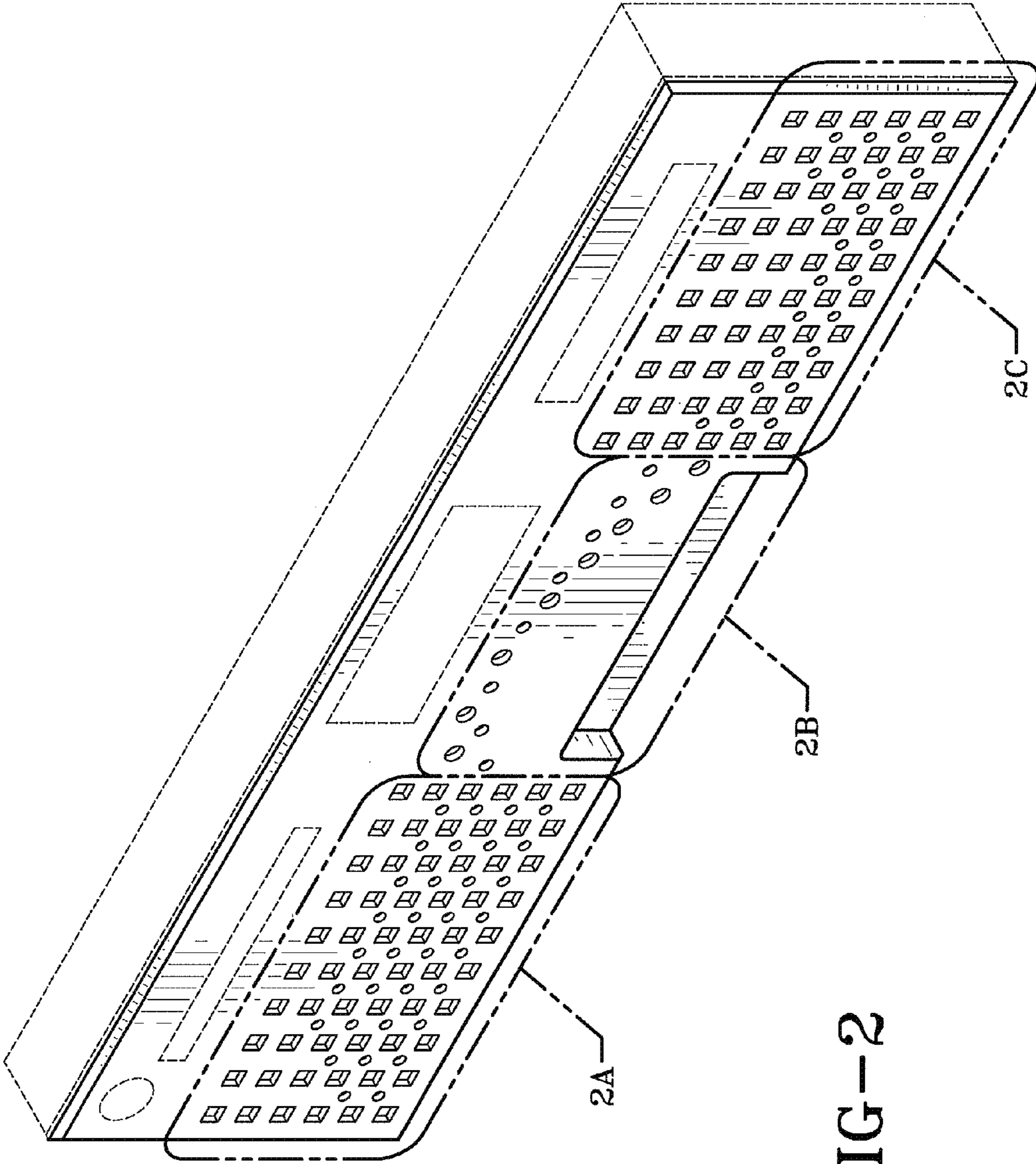


FIG-2

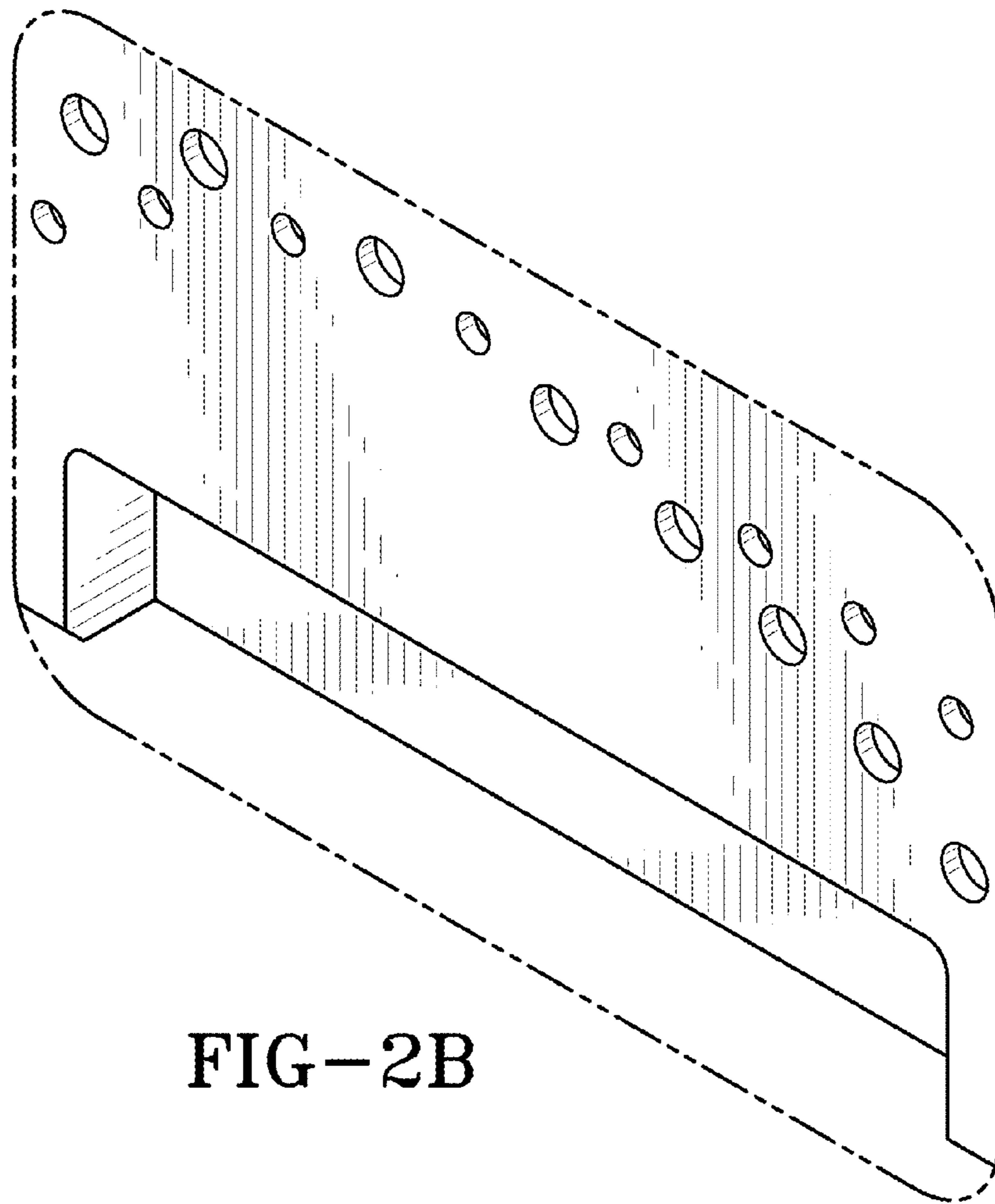


FIG-2B

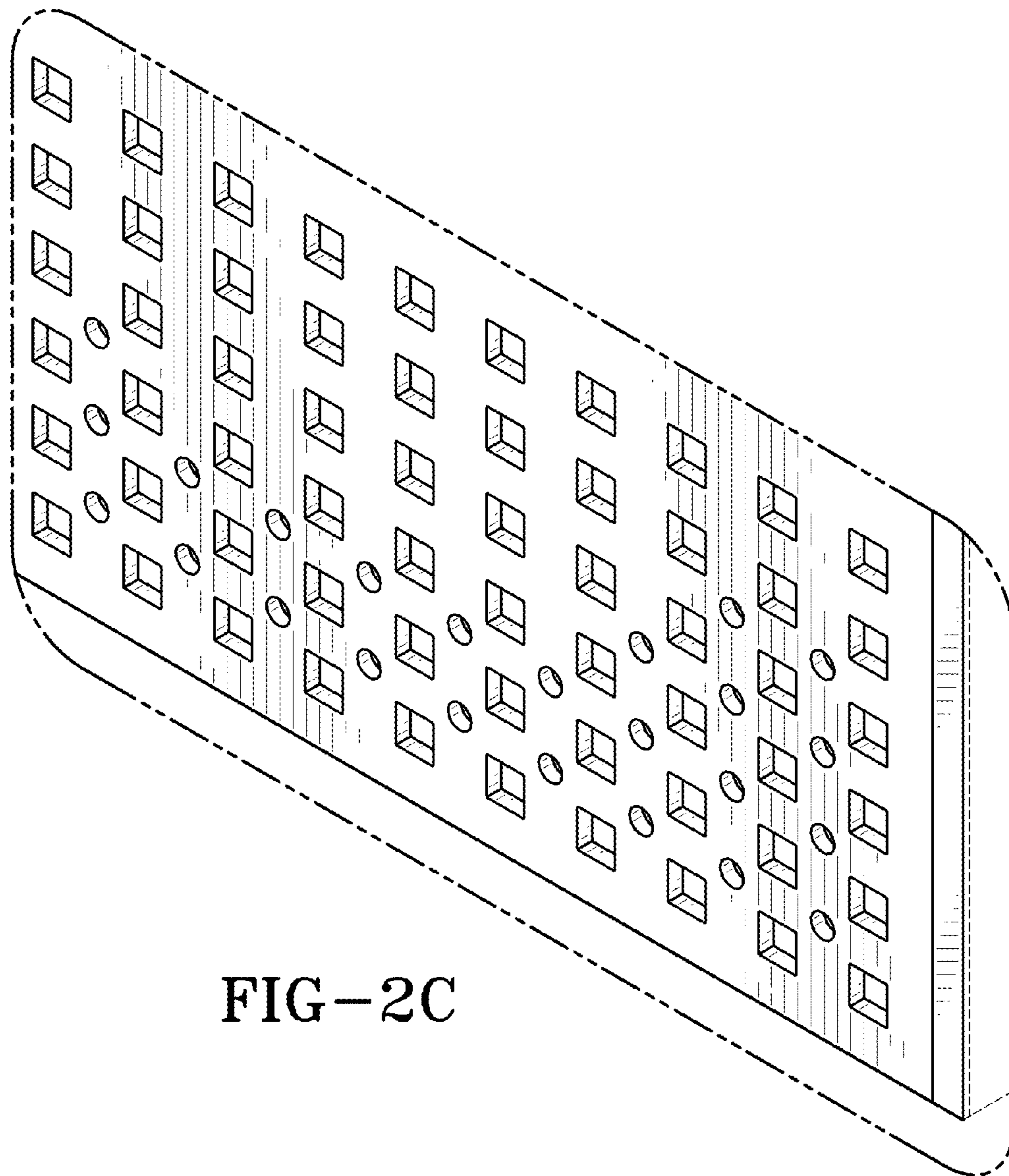


FIG-2C

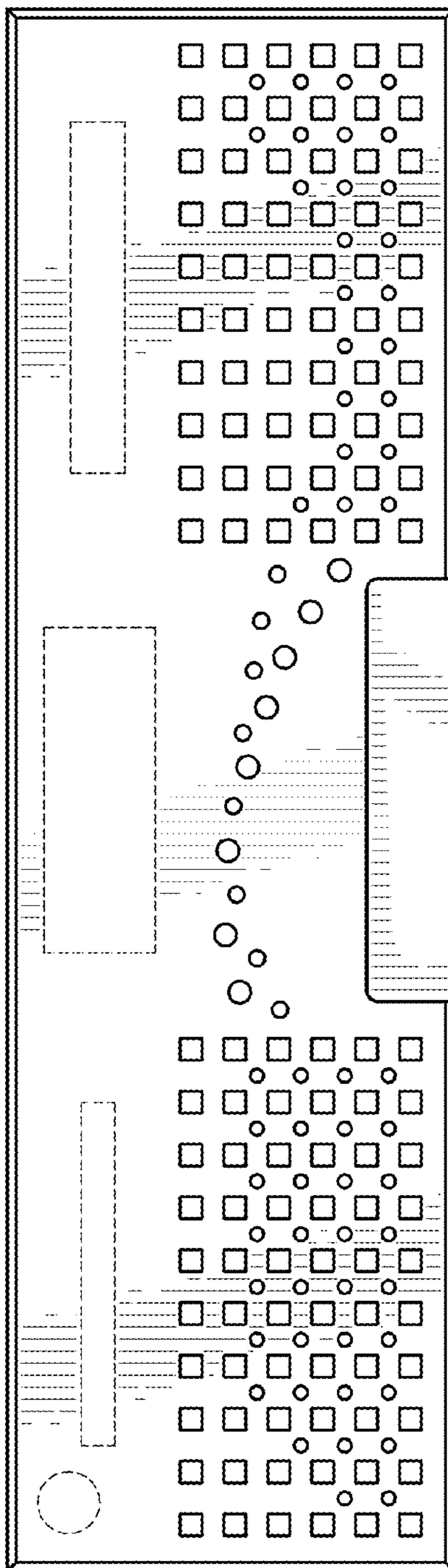


FIG-3

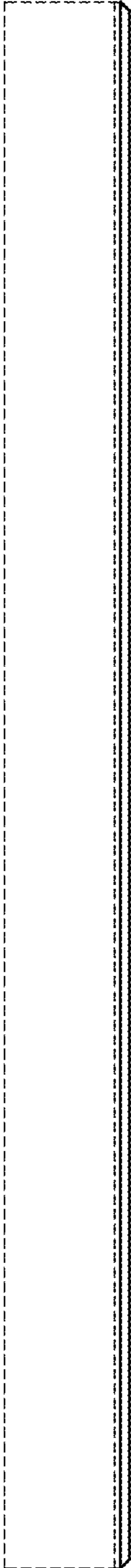


FIG-4

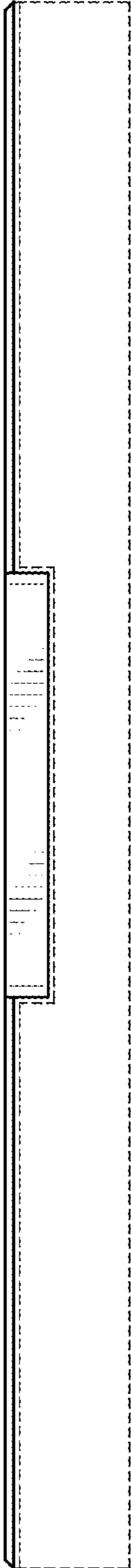


FIG-5

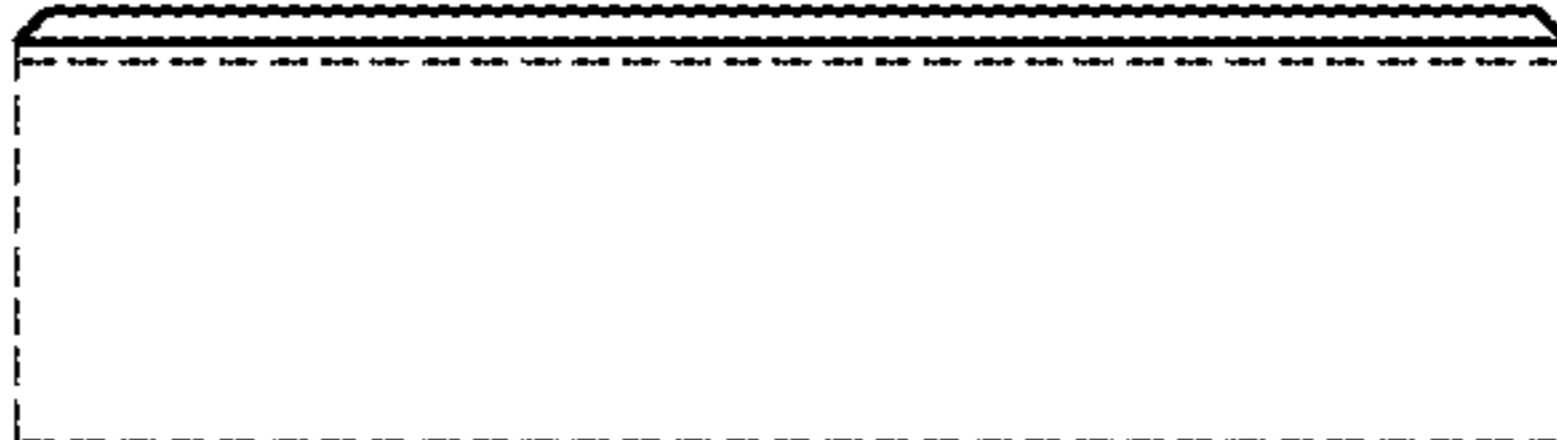


FIG-6



FIG-7

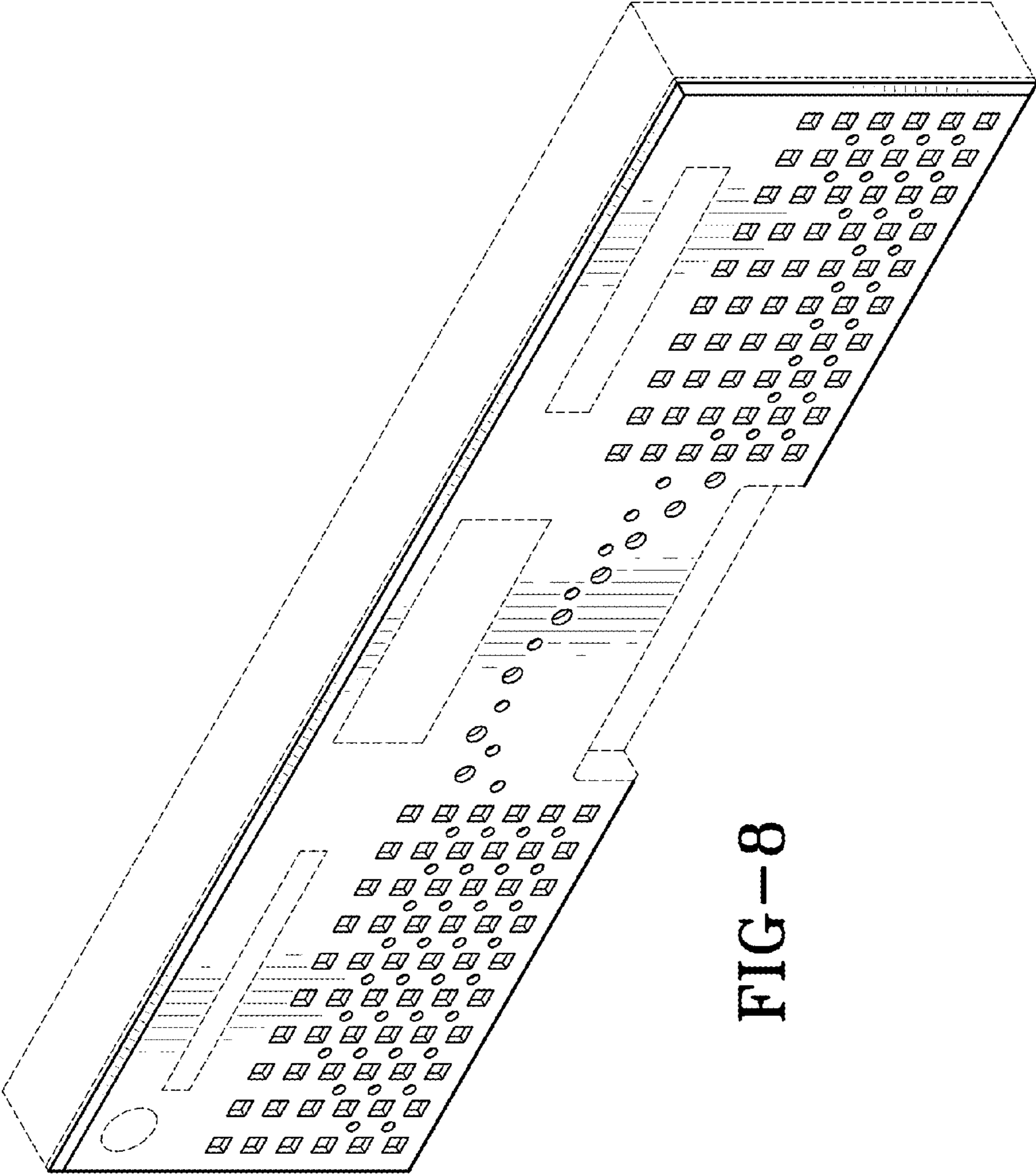


FIG-8

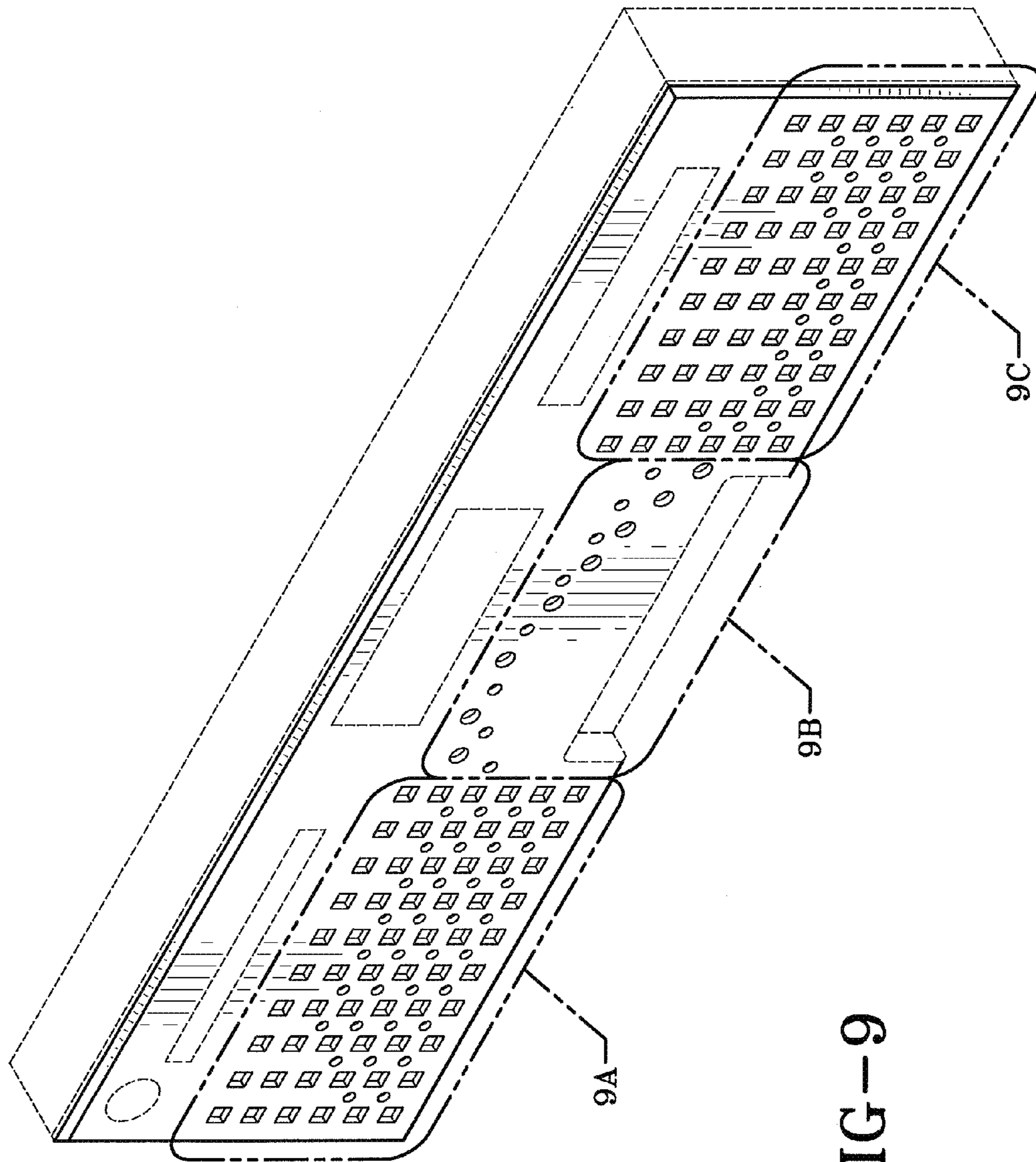


FIG-9

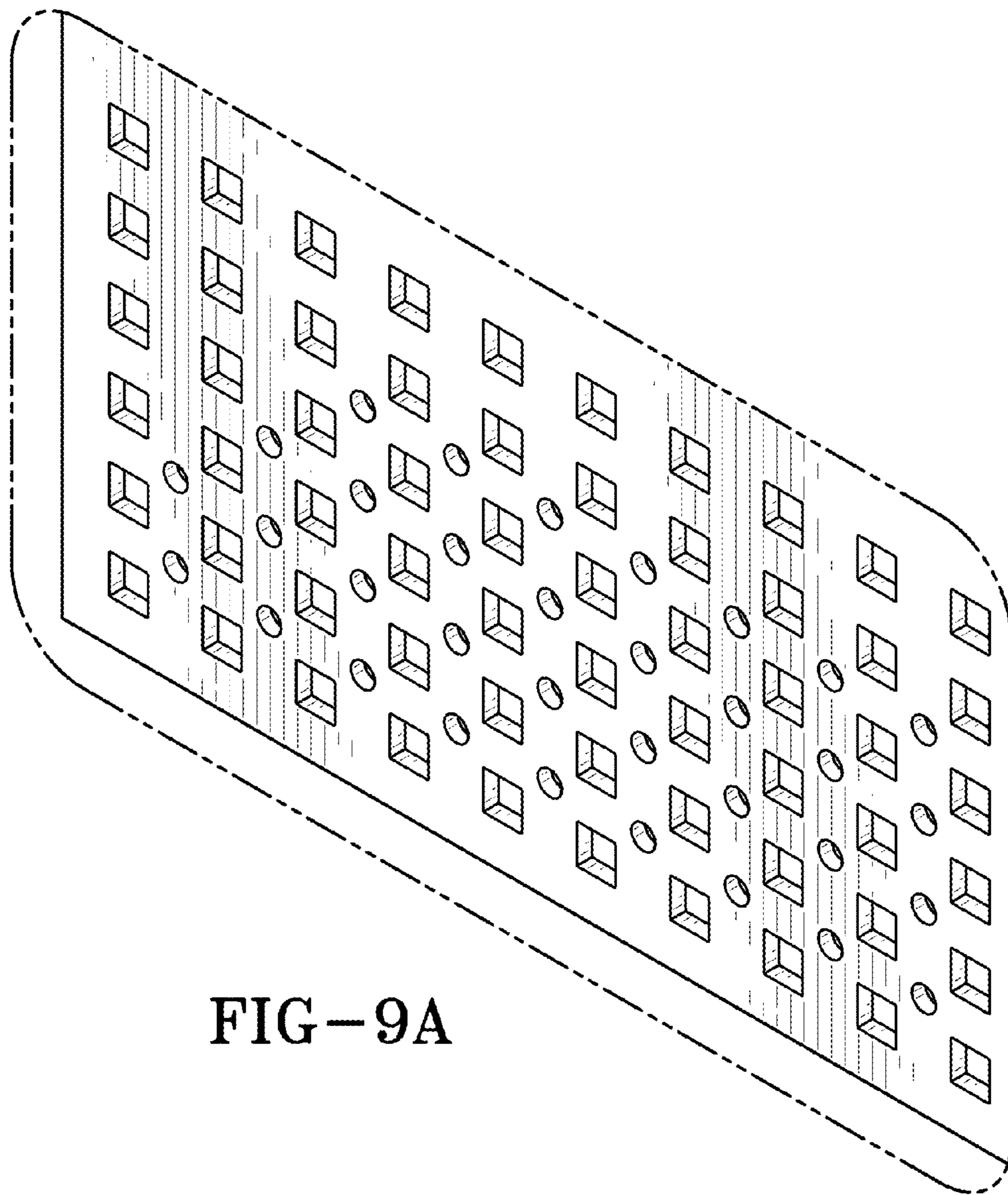


FIG-9A

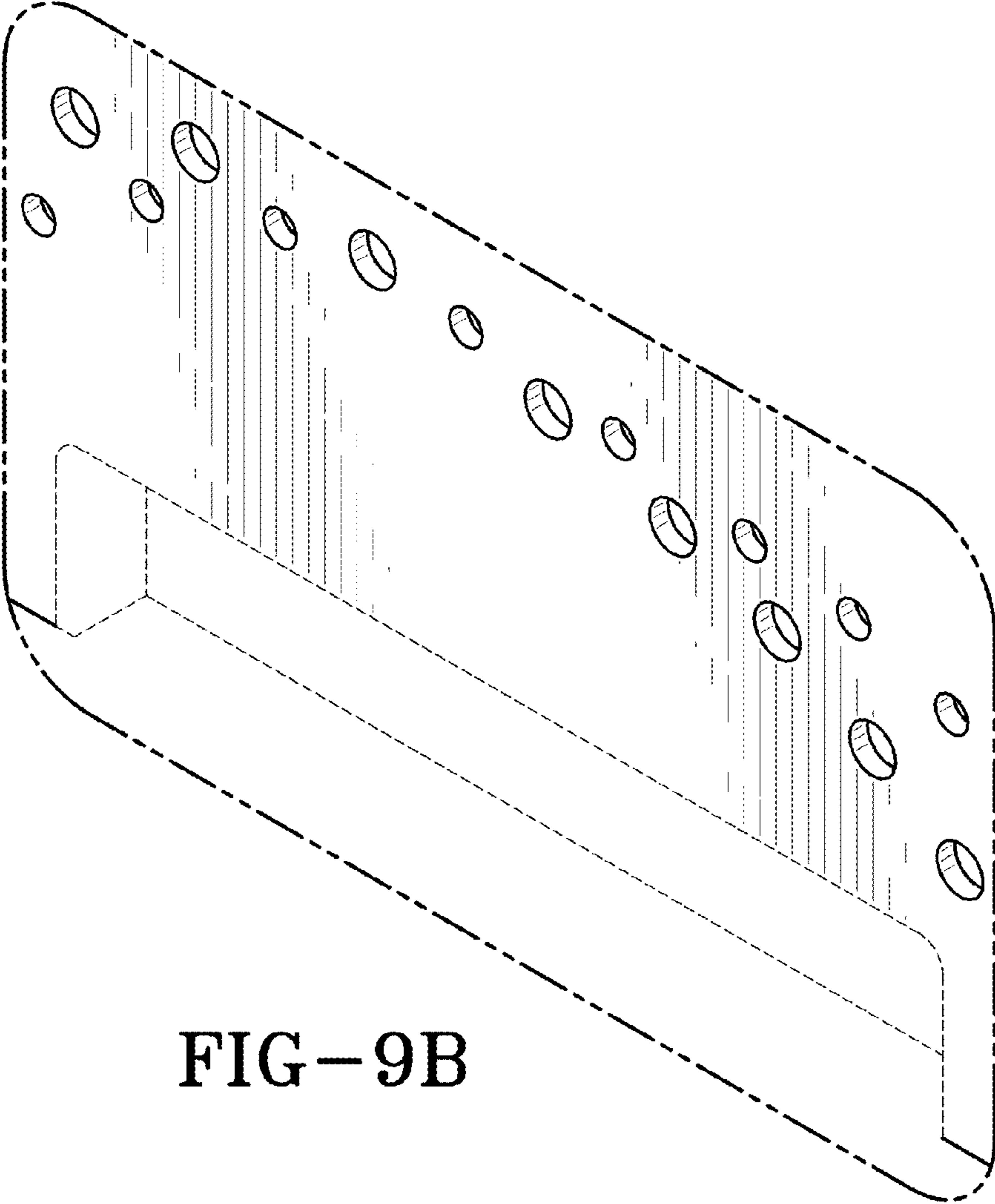


FIG-9B

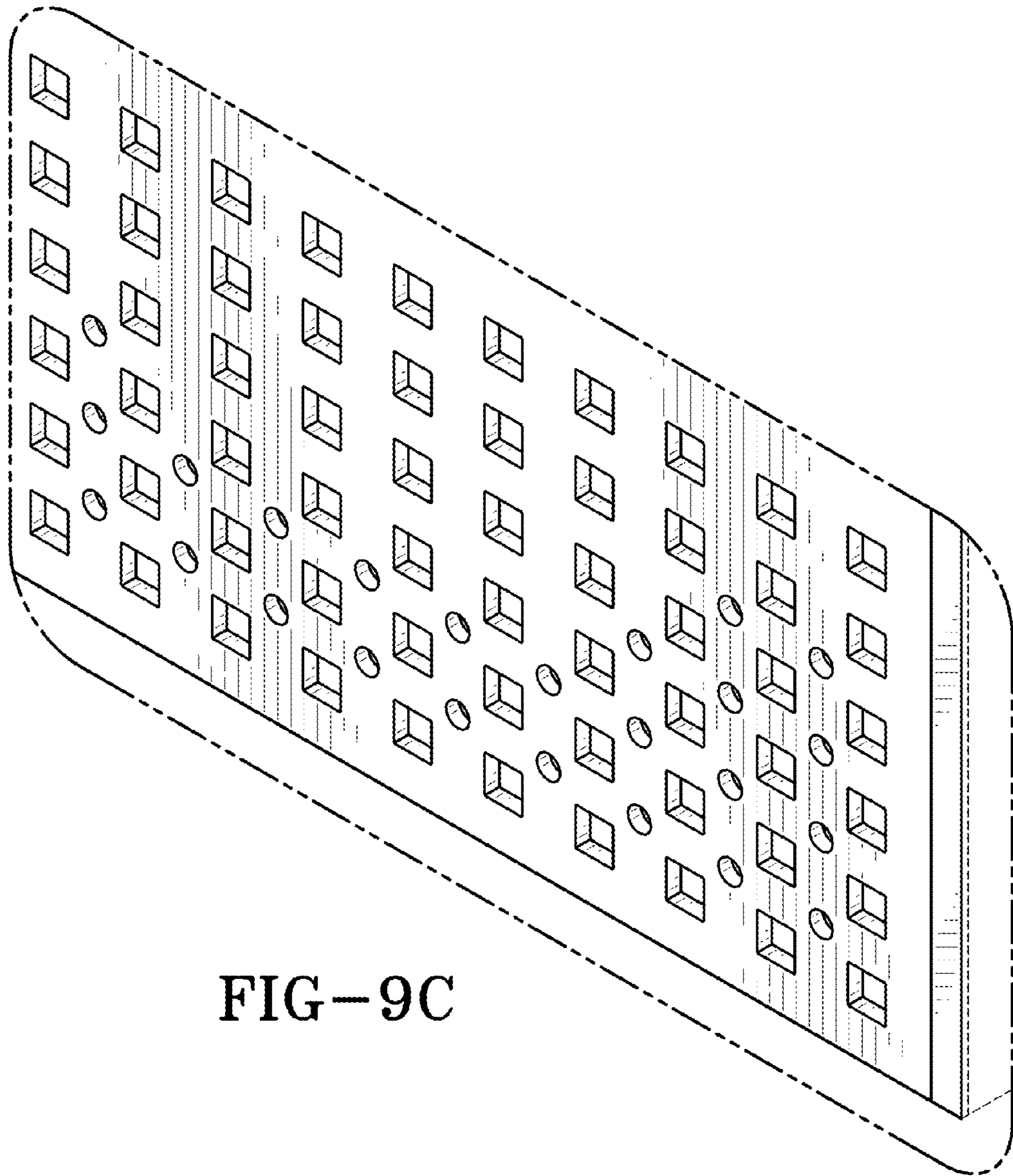


FIG-9C

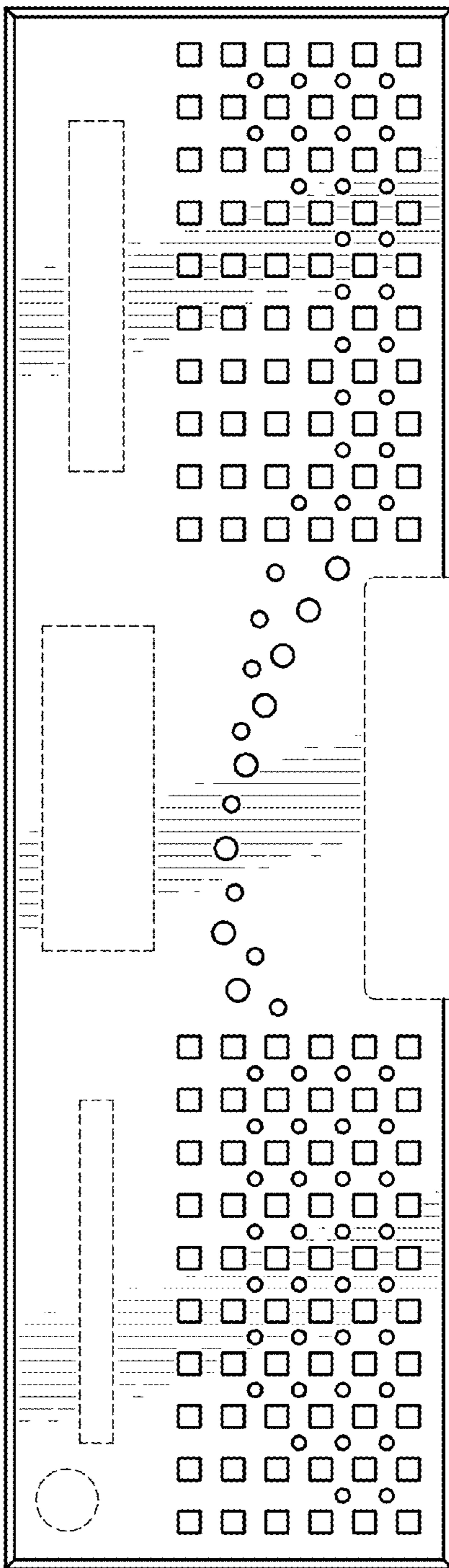


FIG-10

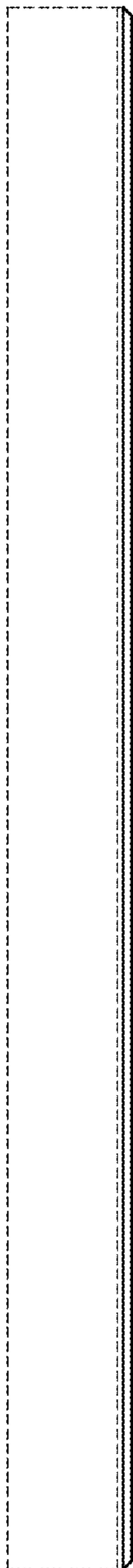


FIG-11

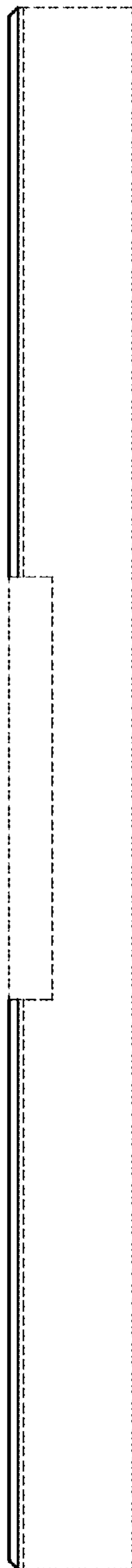


FIG-12

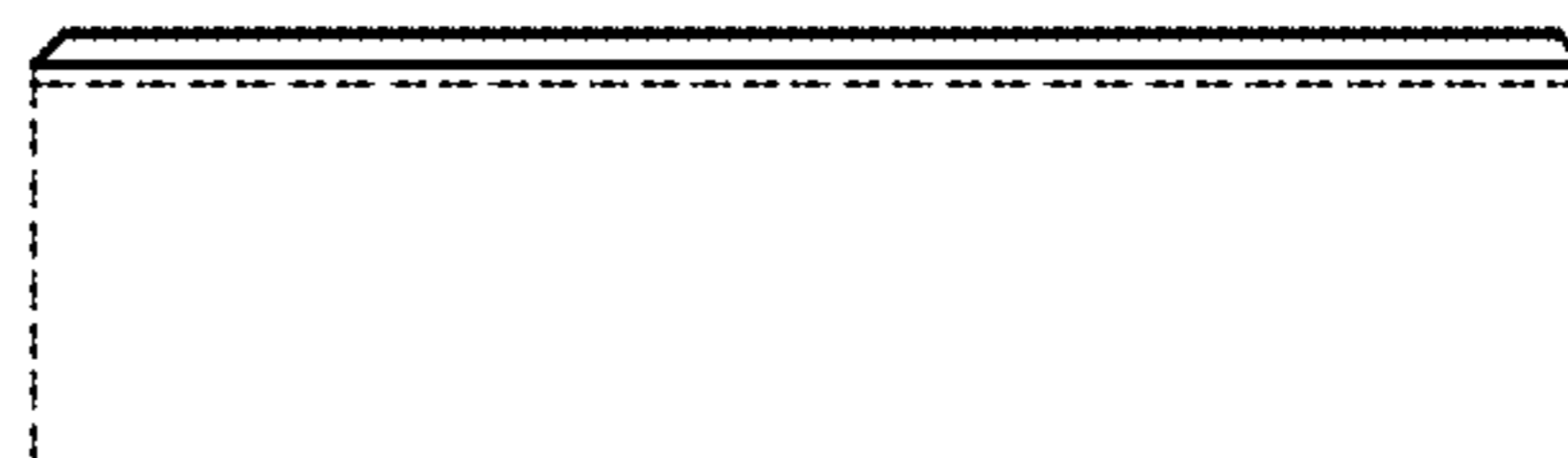


FIG-13



FIG-14