



US00D748625S

(12) **United States Design Patent**  
**Takahashi**

(10) **Patent No.:** **US D748,625 S**  
(45) **Date of Patent:** **\*\* Feb. 2, 2016**

(54) **PORTABLE TERMINAL**

(71) Applicant: **Kyocera Corporation**, Kyoto-shi, Kyoto (JP)

(72) Inventor: **Yuusuke Takahashi**, Kyoto (JP)

(73) Assignee: **KYOCERA Corporation**, Kyoto (JP)

(\*\*) Term: **14 Years**

(21) Appl. No.: **29/488,072**

(22) Filed: **Apr. 15, 2014**

(30) **Foreign Application Priority Data**

Feb. 21, 2014 (JP) ..... 2014-003522

(51) **LOC (10) Cl.** ..... **14-02**

(52) **U.S. Cl.**

USPC ..... **D14/345**

(58) **Field of Classification Search**

USPC ..... D14/341-347, 137, 138 R, 138 AA, D14/138 C, 138 G, 496, 203.1, 203.3, 203.4, D14/203.7, 129, 130, 147, 218, 247, 248, D14/250, 374, 371, 385, 388, 389, 315-318, D14/420, 426, 439; D10/65, 104.1; D18/6-7; D13/168; D21/324, 329, D21/330, 332; D28/83; 248/917-924; 463/37; 455/556.1, 556.2, 566, 575.1, 455/90.3; 379/433.04, 433.01, 433.06, 916; 345/173, 901, 905; 348/376; 361/679.21, 679.26, 679.27, 679.3, 361/679.55, 679.56, 679.59  
CPC ..... H04M 1/0202; H04M 1/0279; H04M 1/0281; H04M 1/0283; H04M 1/0214; H04M 1/72544; H04M 1/72552; G06F 1/1613; G06F 1/1624; G06F 1/1626; G06F 1/165; G06F 3/0485; G06F 3/0488

See application file for complete search history.

(56) **References Cited**

**U.S. PATENT DOCUMENTS**

5,418,760 A \* 5/1995 Kawashima ..... G02F 1/13306 341/23  
D466,487 S \* 12/2002 Wada ..... D10/31

(Continued)

**OTHER PUBLICATIONS**

OLED-Info.com website page showing Samsung flexible-display watch design Retrieved on Apr. 14, 2014 from URL <http://www.oled-info.com/samsung-flexible-display-watch-design-patent-surface>.

(Continued)

*Primary Examiner* — Eric Goodman

*Assistant Examiner* — Clese Moore, Jr.

(74) *Attorney, Agent, or Firm* — Studebaker & Brackett PC

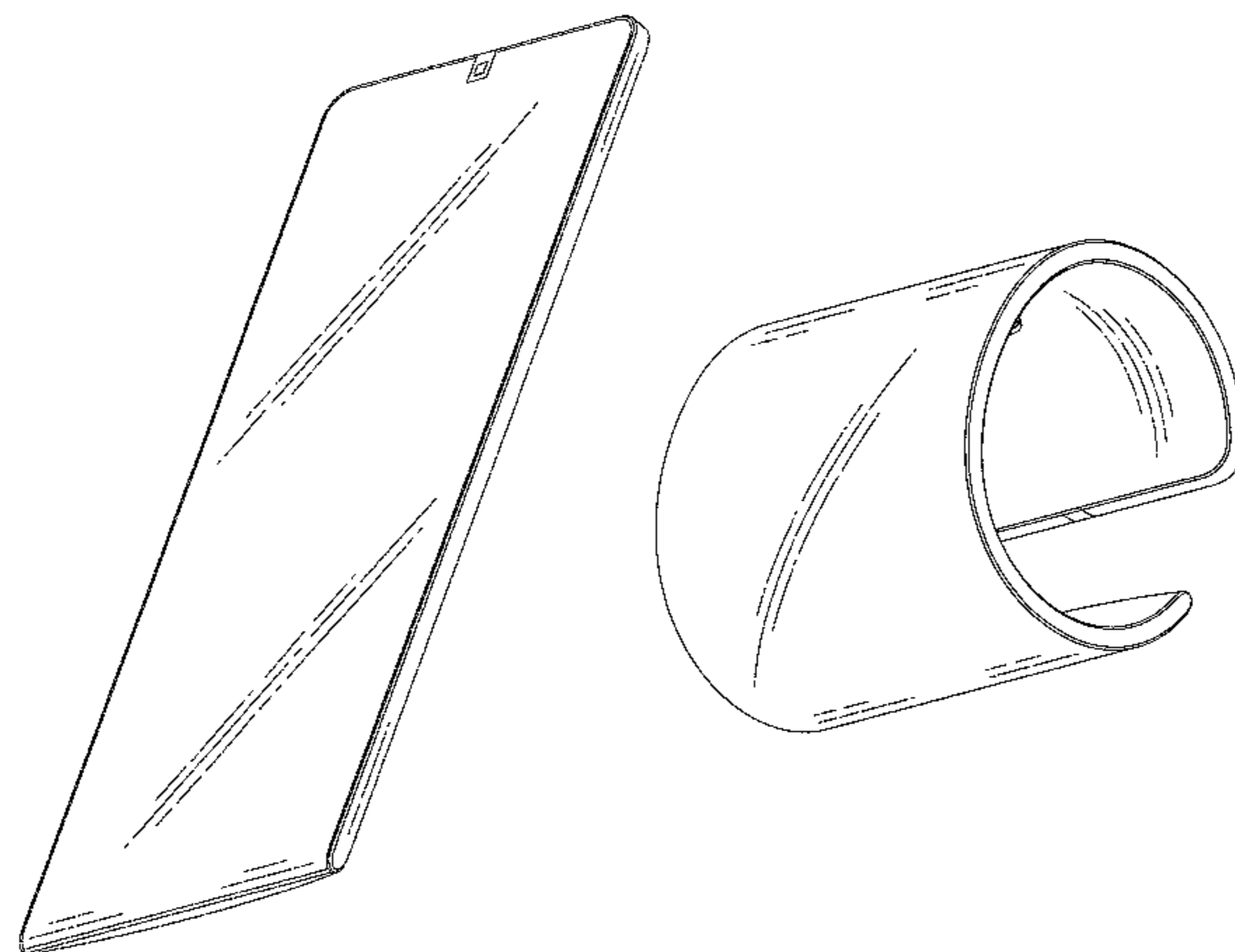
(57) **CLAIM**

The ornamental design for portable terminal, as shown and described.

**DESCRIPTION**

FIG. 1 is a front perspective view of a portable terminal showing my new design;  
FIG. 2 is a rear perspective view thereof;  
FIG. 3 is a front view thereof;  
FIG. 4 is a rear view thereof;  
FIG. 5 is a left side view thereof;  
FIG. 6 is a right side view thereof;  
FIG. 7 is a top plan view thereof;  
FIG. 8 is a bottom view thereof;  
FIG. 9 is a front perspective view thereof in a first bent state;  
FIG. 10 is a front view thereof in the first bent state;  
FIG. 11 is a rear view thereof in the first bent state;  
FIG. 12 is a left side view thereof in the first bent state;  
FIG. 13 is a right side view thereof in the first bent state;  
FIG. 14 is a top plan view thereof in the first bent state;  
FIG. 15 is a bottom view thereof in the first bent state;  
FIG. 16 is a front perspective view thereof in a second bent state;  
FIG. 17 is a front view thereof in the second bent state;  
FIG. 18 is a rear view thereof in the second bent state;  
FIG. 19 is a left side view thereof in the second bent state;  
FIG. 20 is a right side view thereof in the second bent state;  
FIG. 21 is a top plan view thereof in the second bent state; and,  
FIG. 22 is a bottom view thereof in the second bent state.

**1 Claim, 14 Drawing Sheets**



(56)

## References Cited

## U.S. PATENT DOCUMENTS

D466,488	S *	12/2002	Wada	.....	D10/31
D549,221	S *	8/2007	Yagi	.....	D11/4
D580,432	S *	11/2008	Yun	.....	D14/345
D634,317	S *	3/2011	Buckle	.....	D14/341
D645,376	S *	9/2011	Bulgari	.....	D11/4
D661,275	S *	6/2012	Roka	.....	D10/31
D665,766	S *	8/2012	Eguchi	.....	D14/138 G
8,254,870	B2 *	8/2012	Lin	.....	G06F 1/1626 455/347
D675,613	S *	2/2013	Chu	.....	D14/341
D683,325	S *	5/2013	Sugiyama	.....	D14/138 G
D697,507	S *	1/2014	Yu	.....	D14/341
D709,493	S *	7/2014	Ahn	.....	D14/345
D710,353	S *	8/2014	Ahn	.....	D14/345
D712,930	S *	9/2014	Lee	.....	D14/496
D715,794	S *	10/2014	Zhou	.....	D14/341
D718,268	S *	11/2014	Wu	.....	D14/138 G
D732,499	S *	6/2015	Lee	.....	D14/138 G
D733,130	S *	6/2015	Kim	.....	D14/344
D734,329	S *	7/2015	Lee	.....	D14/344
D735,711	S *	8/2015	Kuwabara	.....	D14/344
D736,767	S *	8/2015	Lee	.....	D14/344
D736,768	S *	8/2015	Kuwabara	.....	D14/344
2011/0187681	A1 *	8/2011	Kim	.....	G06F 3/0488 345/204
2013/0329345	A1 *	12/2013	Yu	.....	H05K 5/04 361/679.01

## OTHER PUBLICATIONS

Da'vance Let's Talk website page showing Nokia 888 Retrieved on Apr. 14, 2014 from URL [http://davance.com/let\\_talk/let\\_talk107.html](http://davance.com/let_talk/let_talk107.html).

Yankodesign.com website page showing Samsung Galaxy Skin Retrieved on Apr. 14, 2014 from URL <http://www.yankodesign.com/2011/07/26/i-just-died-and-went-to-samsung-galaxy-heaven/>.

Junya Mori's blog website page showing Samsung YOUM Smartwatch Retrieved on Apr. 14, 2014 from URL <http://blog.junyamori.com/2013/12/04/samsung-youm-smartwatch/>.

Phonearena.com website page showing Nokia Morph concept Retrieved on Apr. 14, 2014 from URL [http://www.phonearena.com/news/Nokia-Morph-concept-is-futuristic\\_id2491](http://www.phonearena.com/news/Nokia-Morph-concept-is-futuristic_id2491).

Yankodesign.com website page showing Sony Nextep Computer Retrieved on Apr. 14, 2014 from URL <http://www.yankodesign.com/2010/05/25/in-2020-we-can-wear-sony-computers-on-our-wrist/>.

au.kddi.com website page showing G Flex LGL23 Retrieved on Apr. 14, 2014 from URL <http://www.au.kddi.com/mobile/product/smartphone/lgl23/>.

gpad.tv website page showing Samsung Galaxy Round Retrieved on Apr. 14, 2014 from URL <http://gpad.tv/phone/samsung-galaxy-round/>.

touchnavi.net website page showing Samsung Flexible OLED phone prototype Retrieved on Apr. 14, 2014 from URL <http://touchnavi.net/ipad/3424/>.

engadget.com website page showing Nokia Kinetic Device hands-on Retrieved on Apr. 14, 2014 from URL <http://www.engadget.com/2011/10/26/nokias-kinetic-future-flexible-screens-and-a-twisted-interface/>.

\* cited by examiner

FIG.1

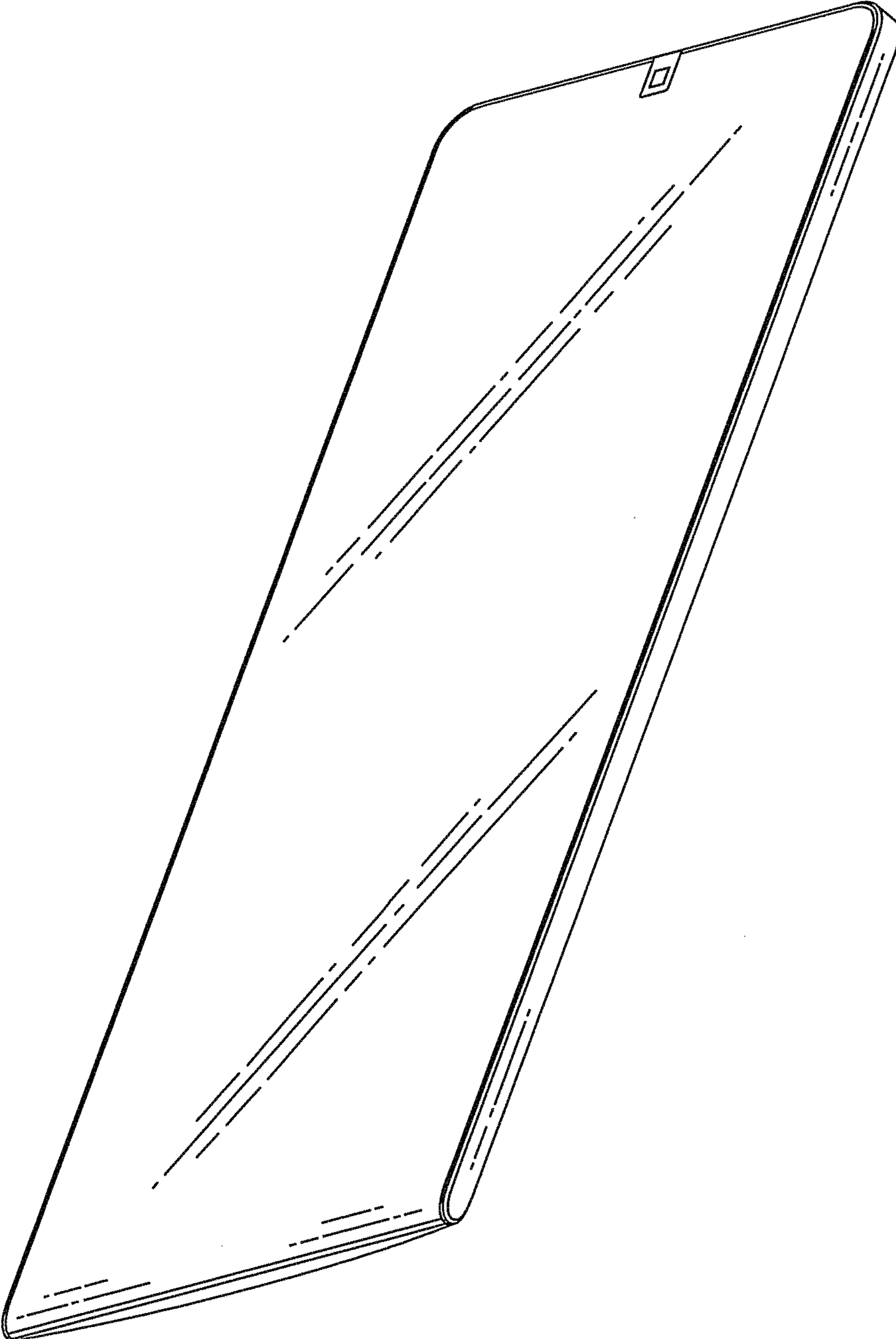


FIG.2

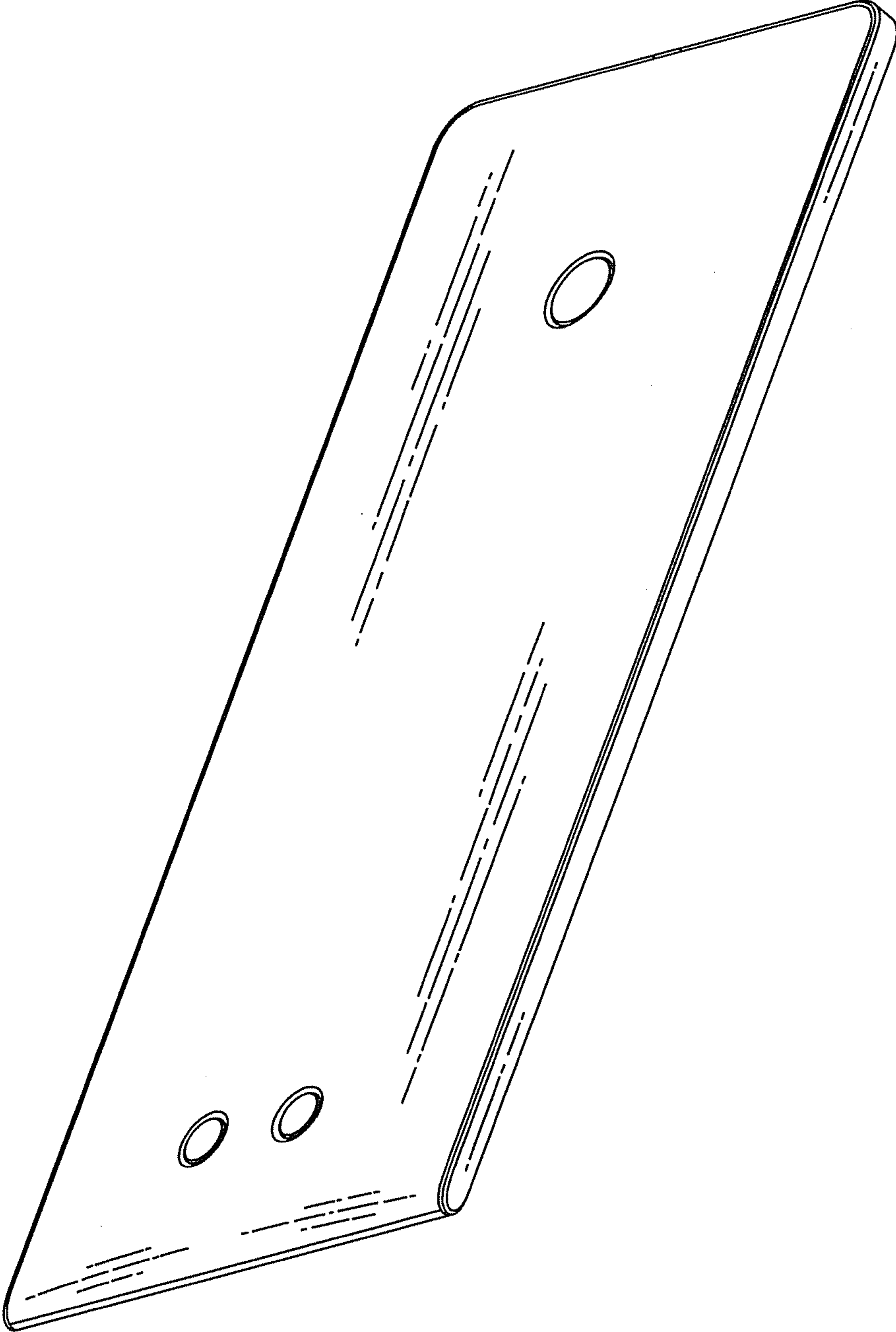


FIG.3

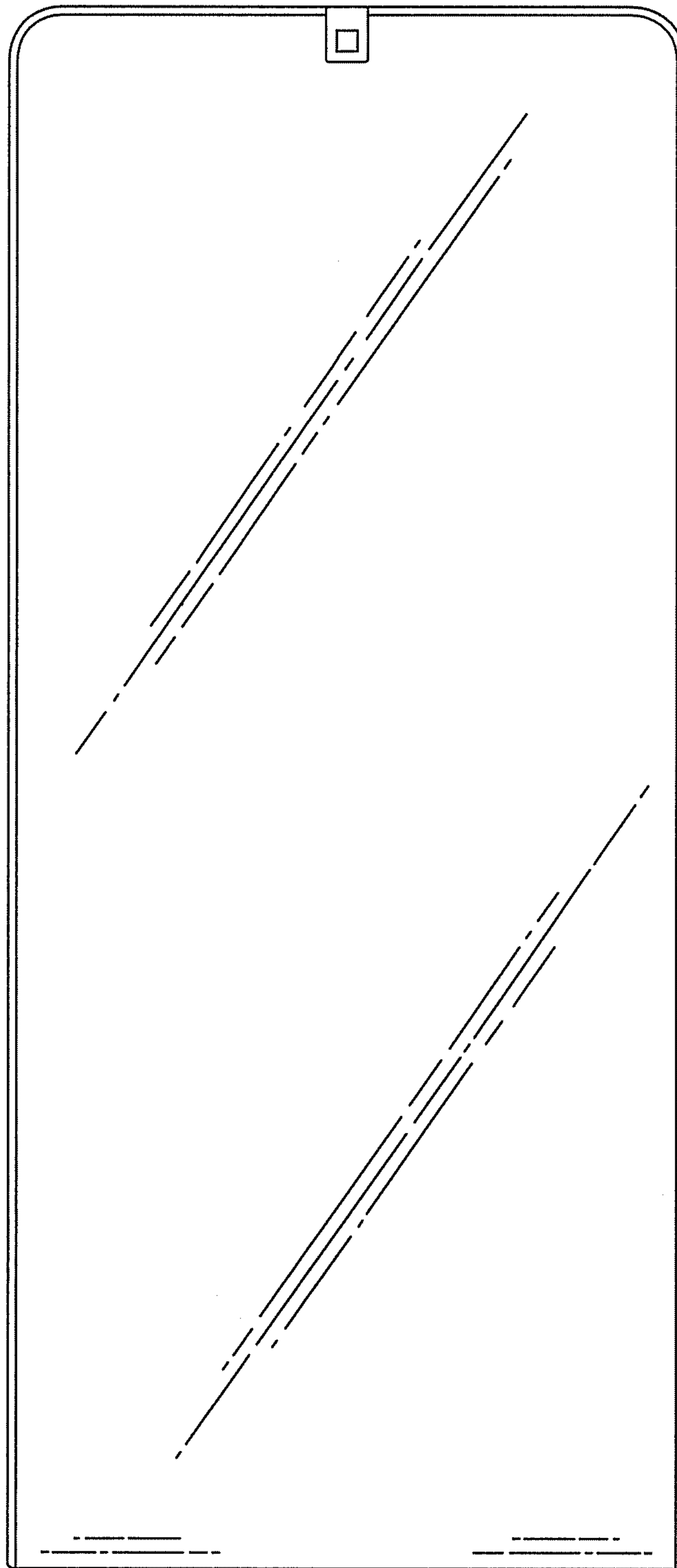


FIG.4

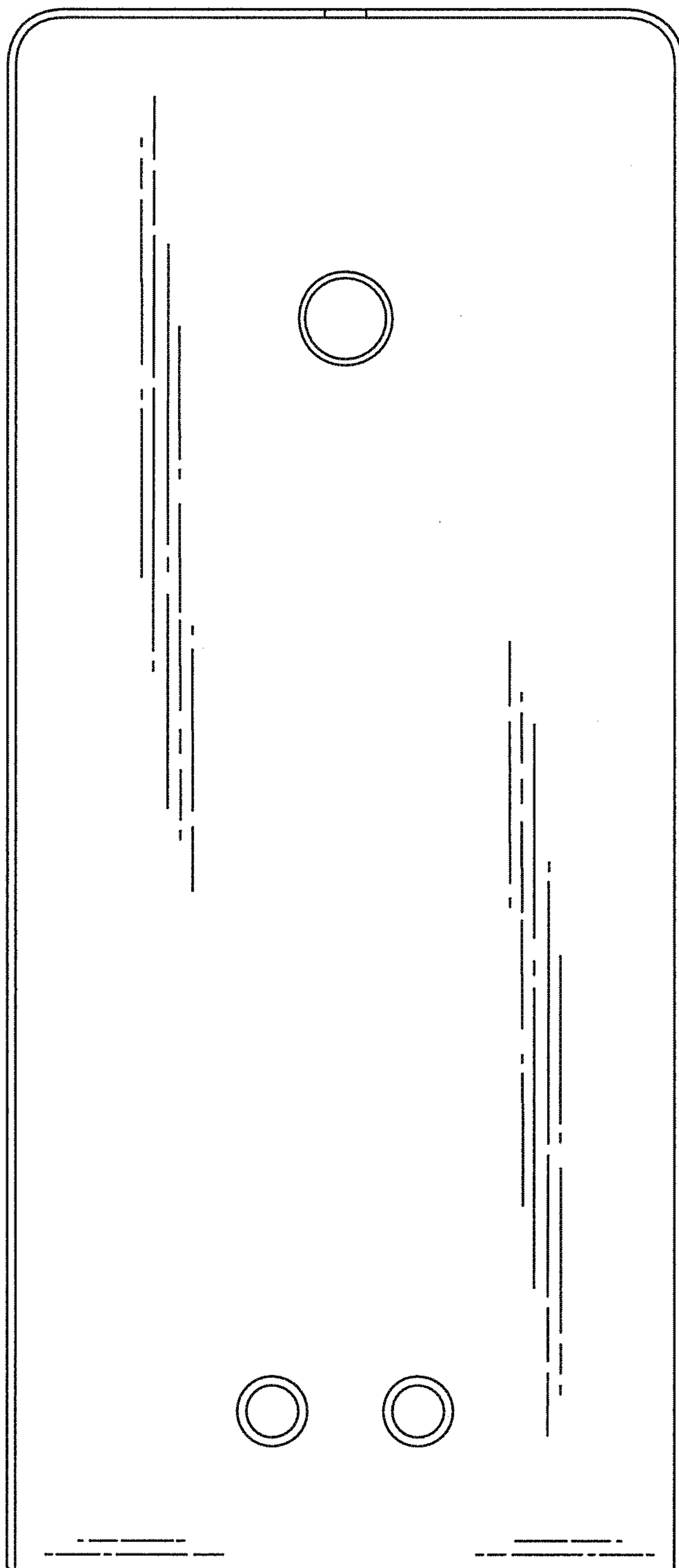


FIG.5



FIG.6



FIG.7



FIG.8





FIG.9

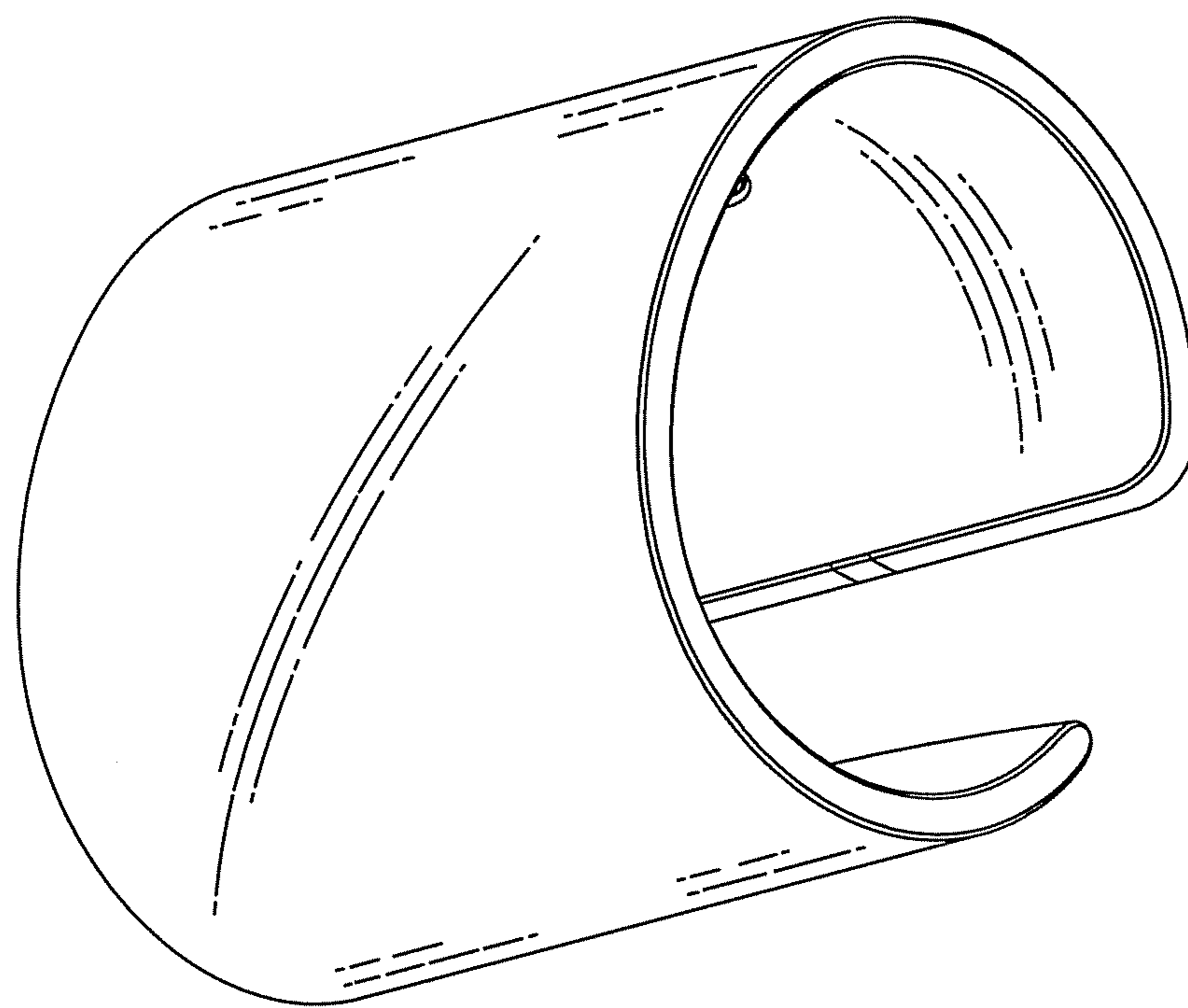


FIG.10

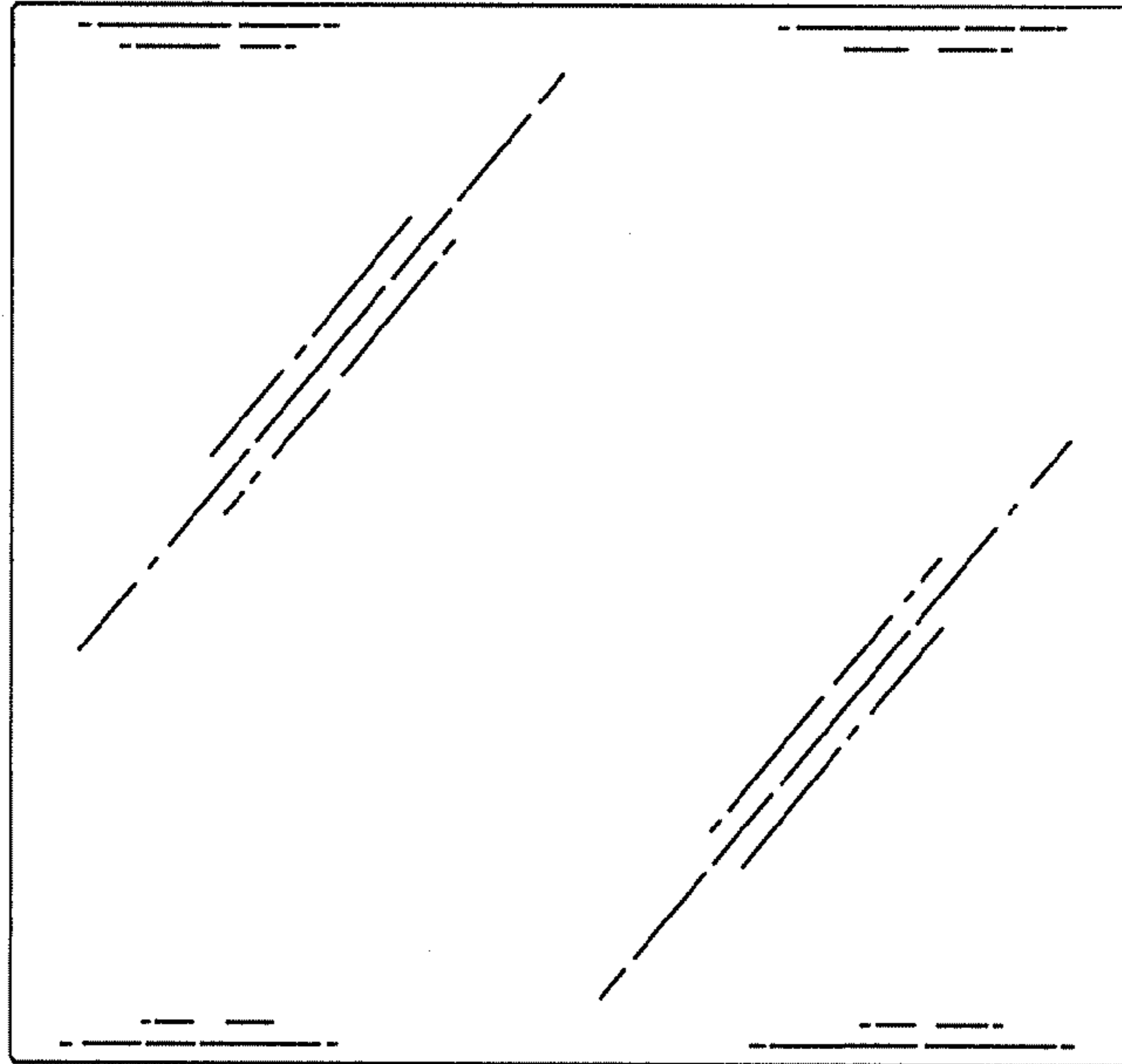


FIG.11

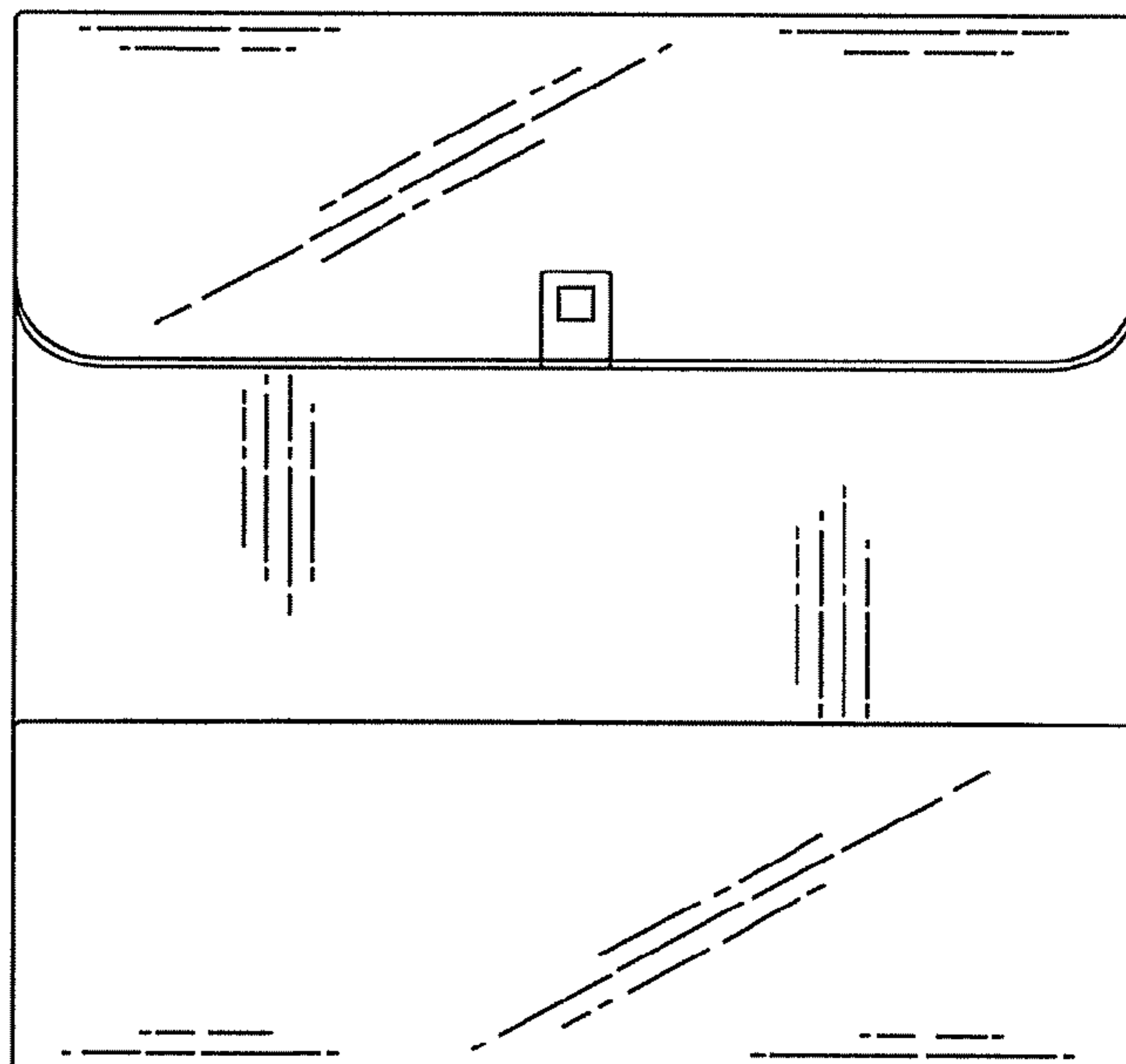


FIG.12

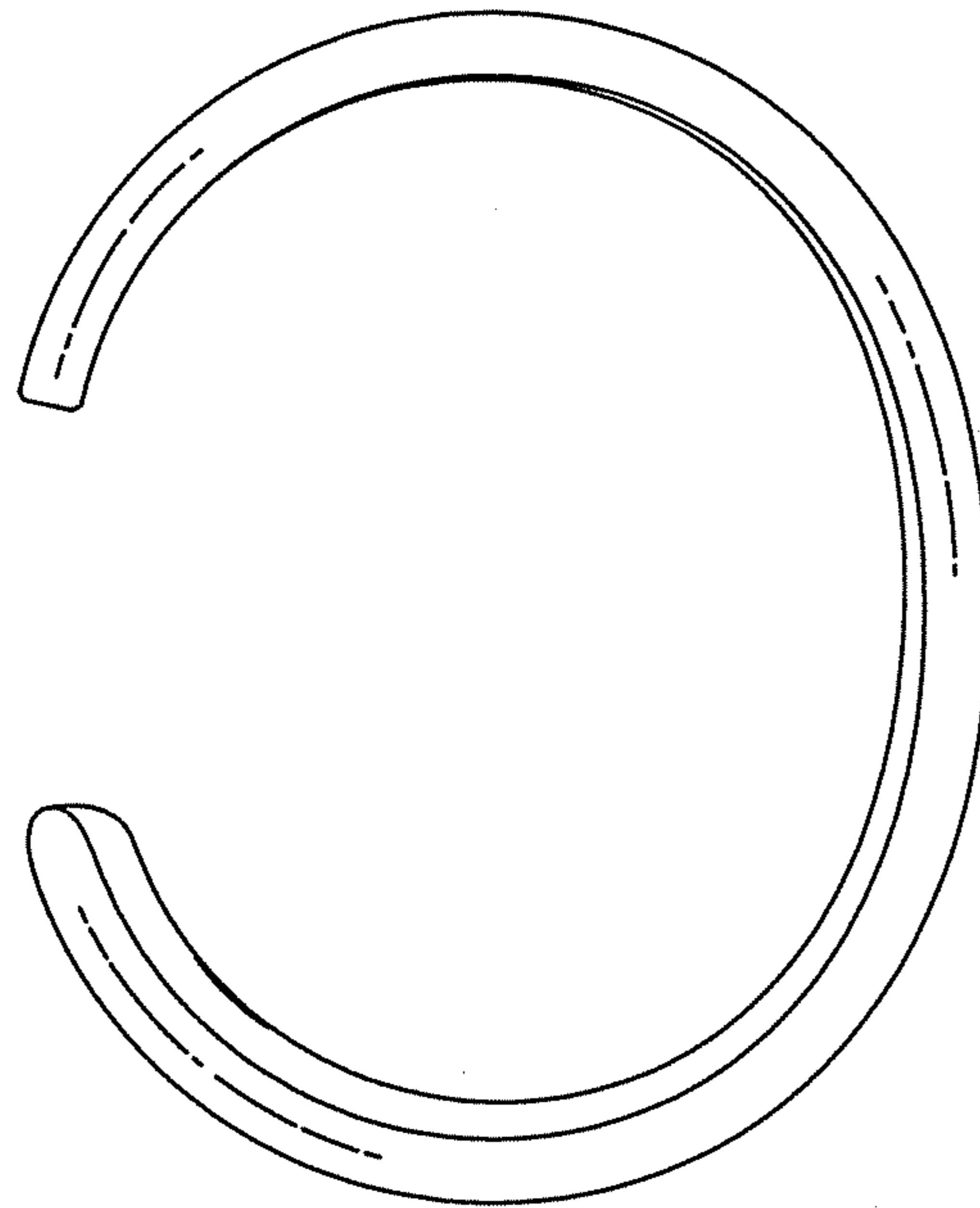


FIG.13

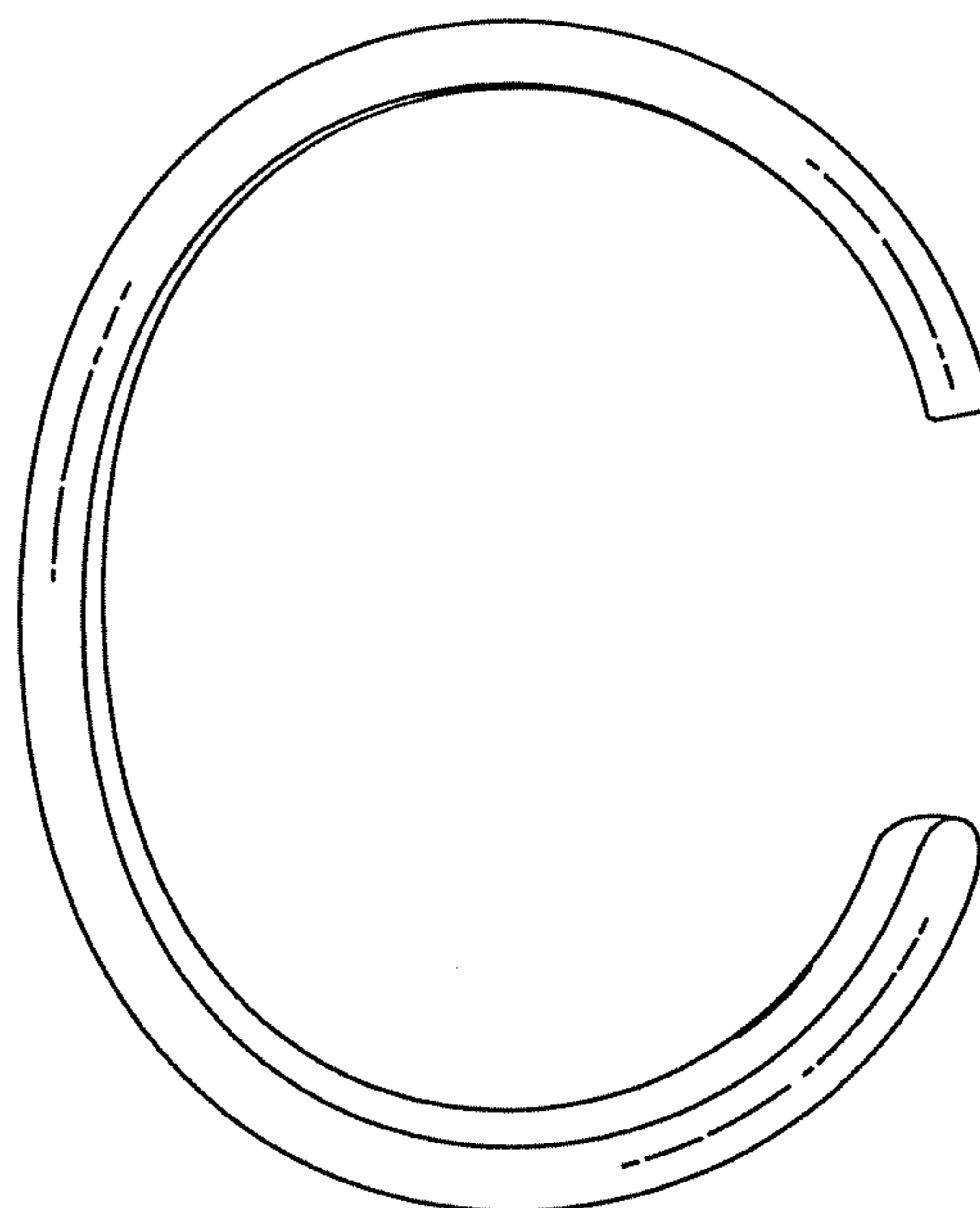


FIG.14

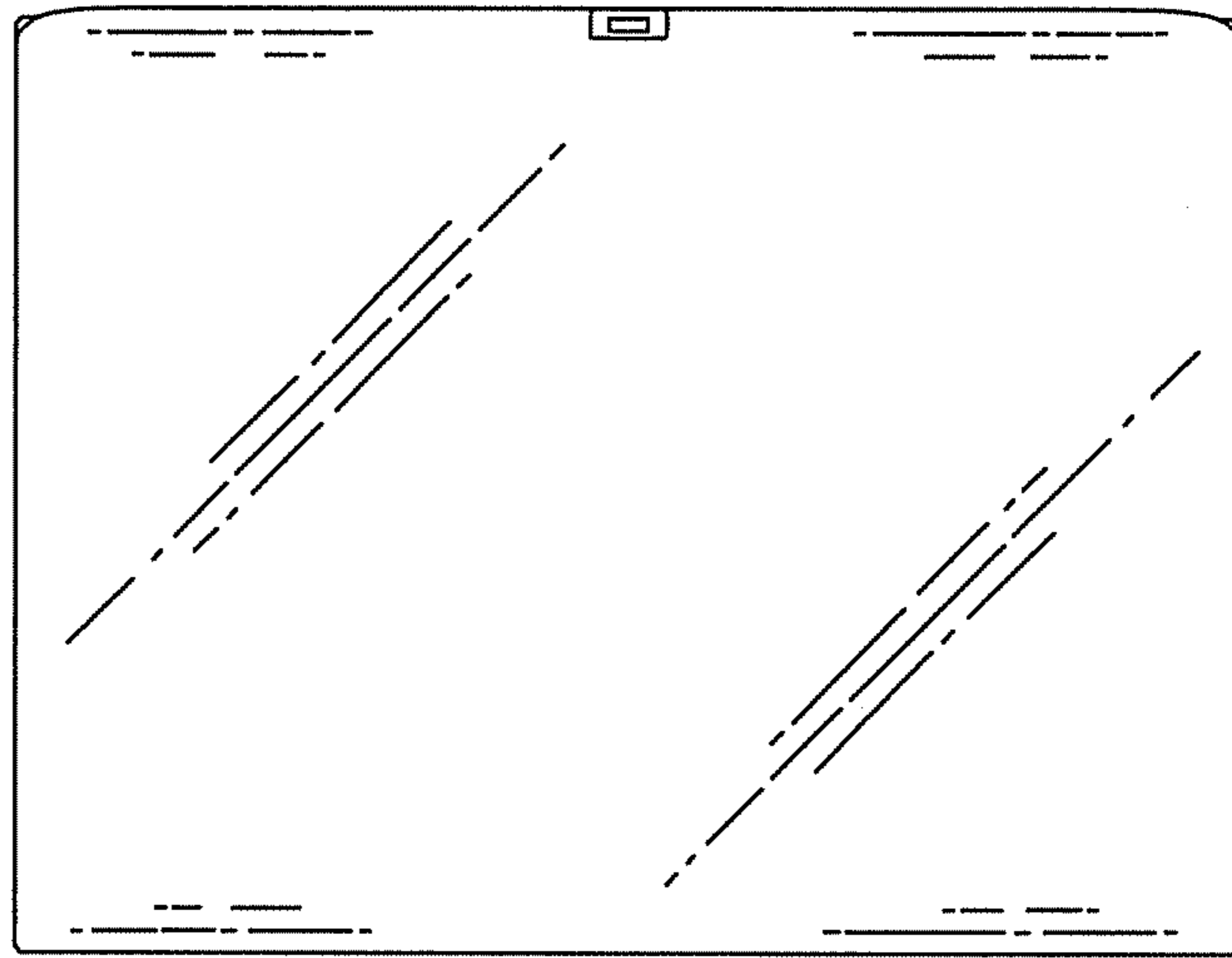


FIG.15

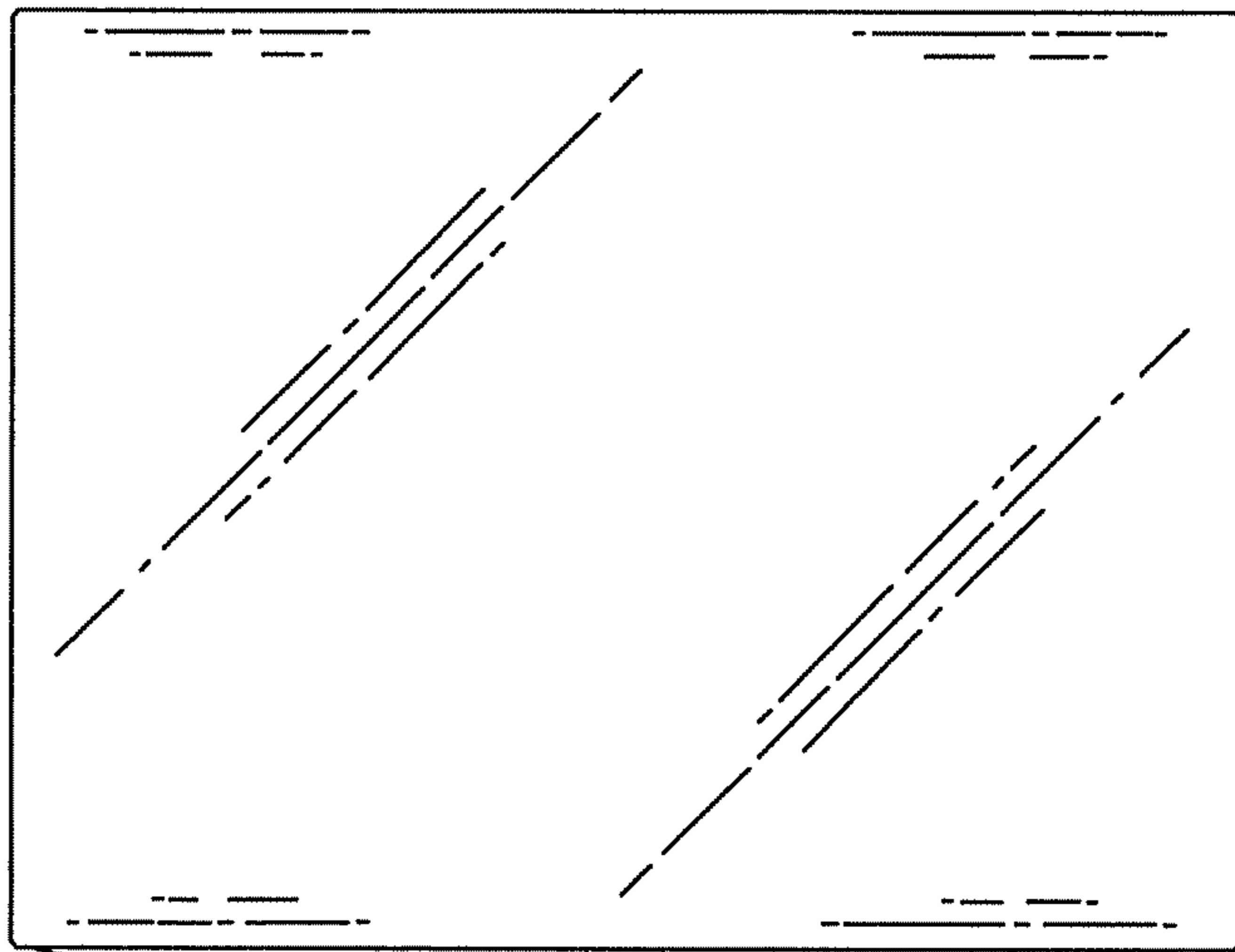


FIG.16

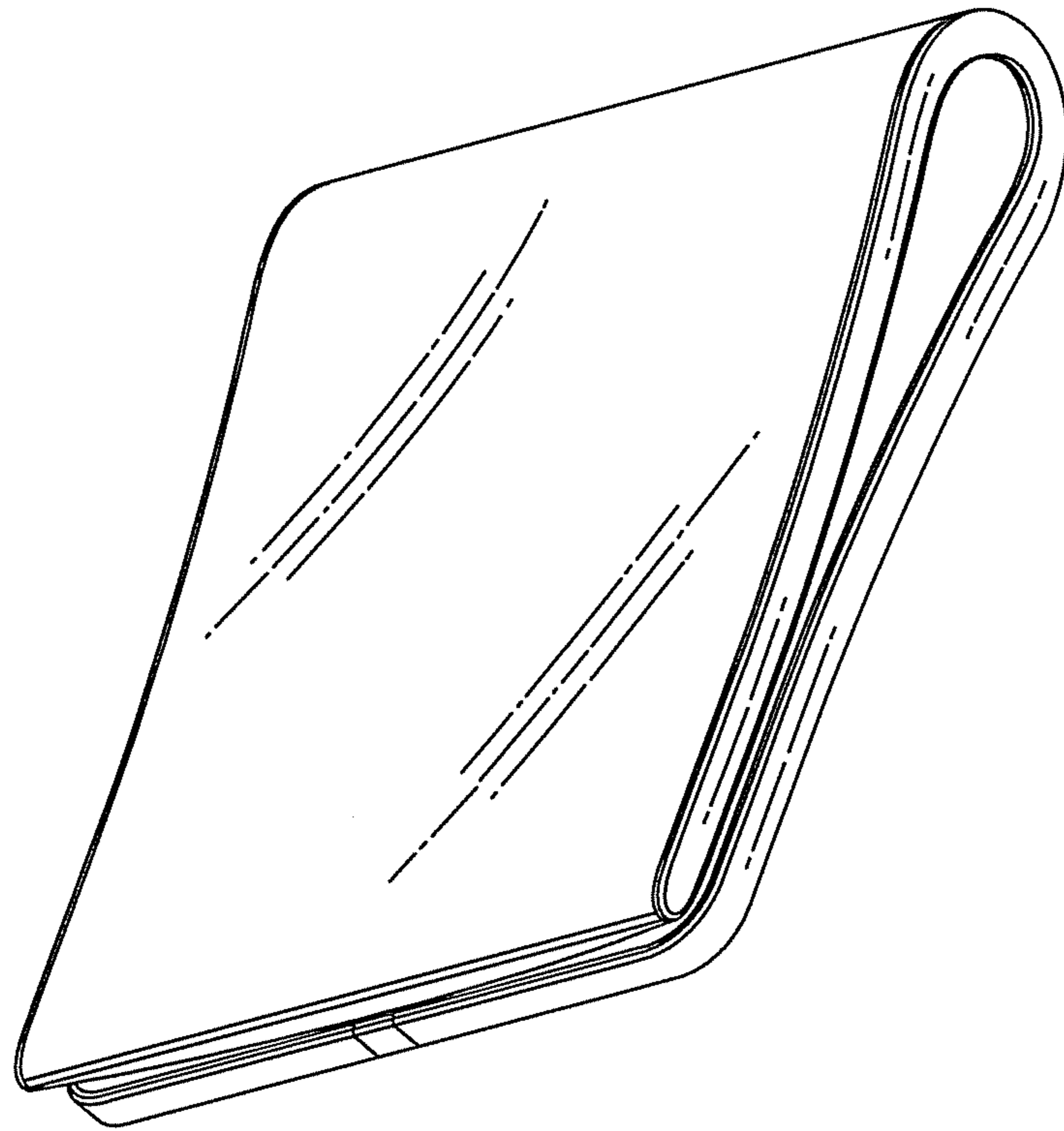


FIG.17

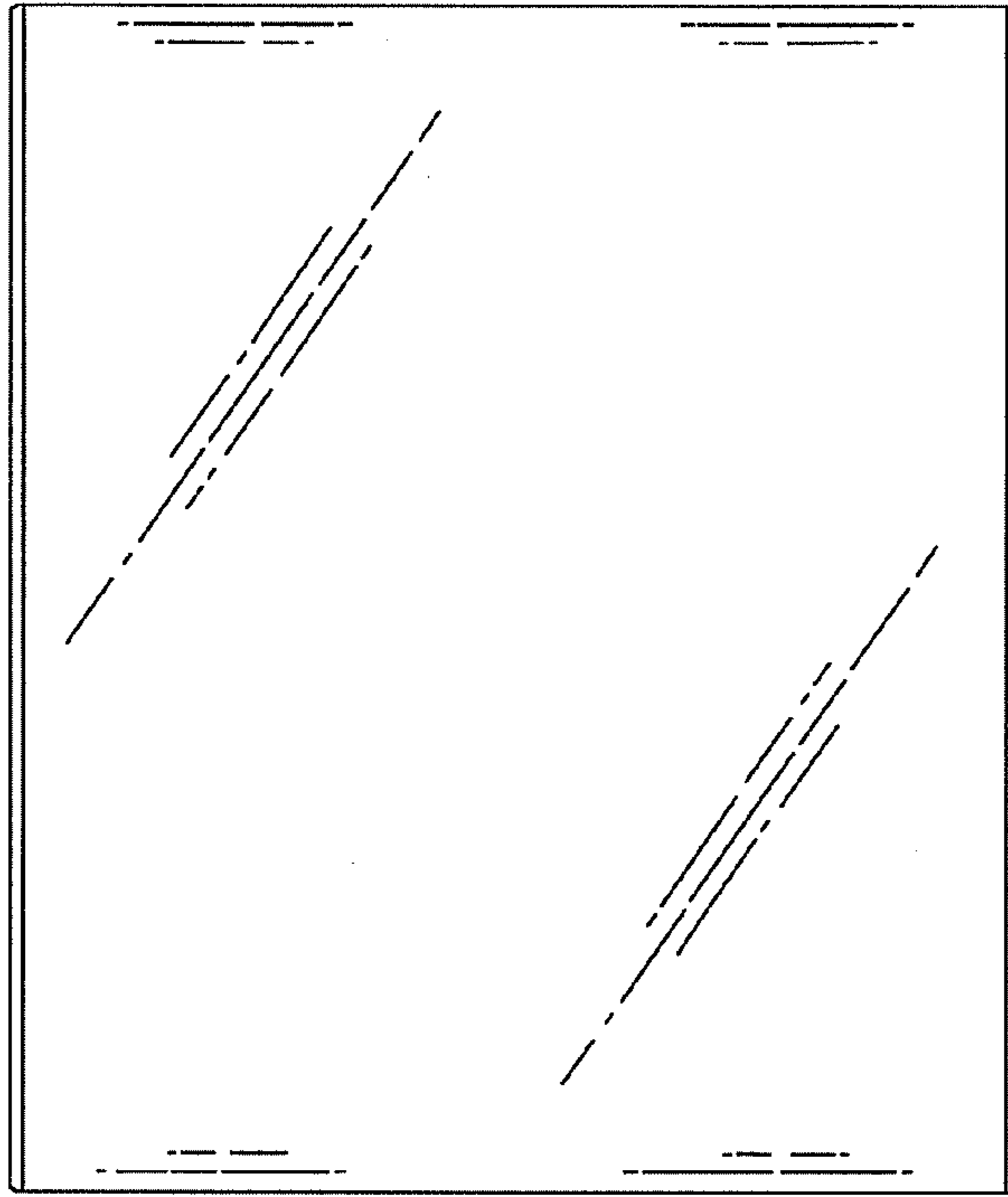


FIG.18

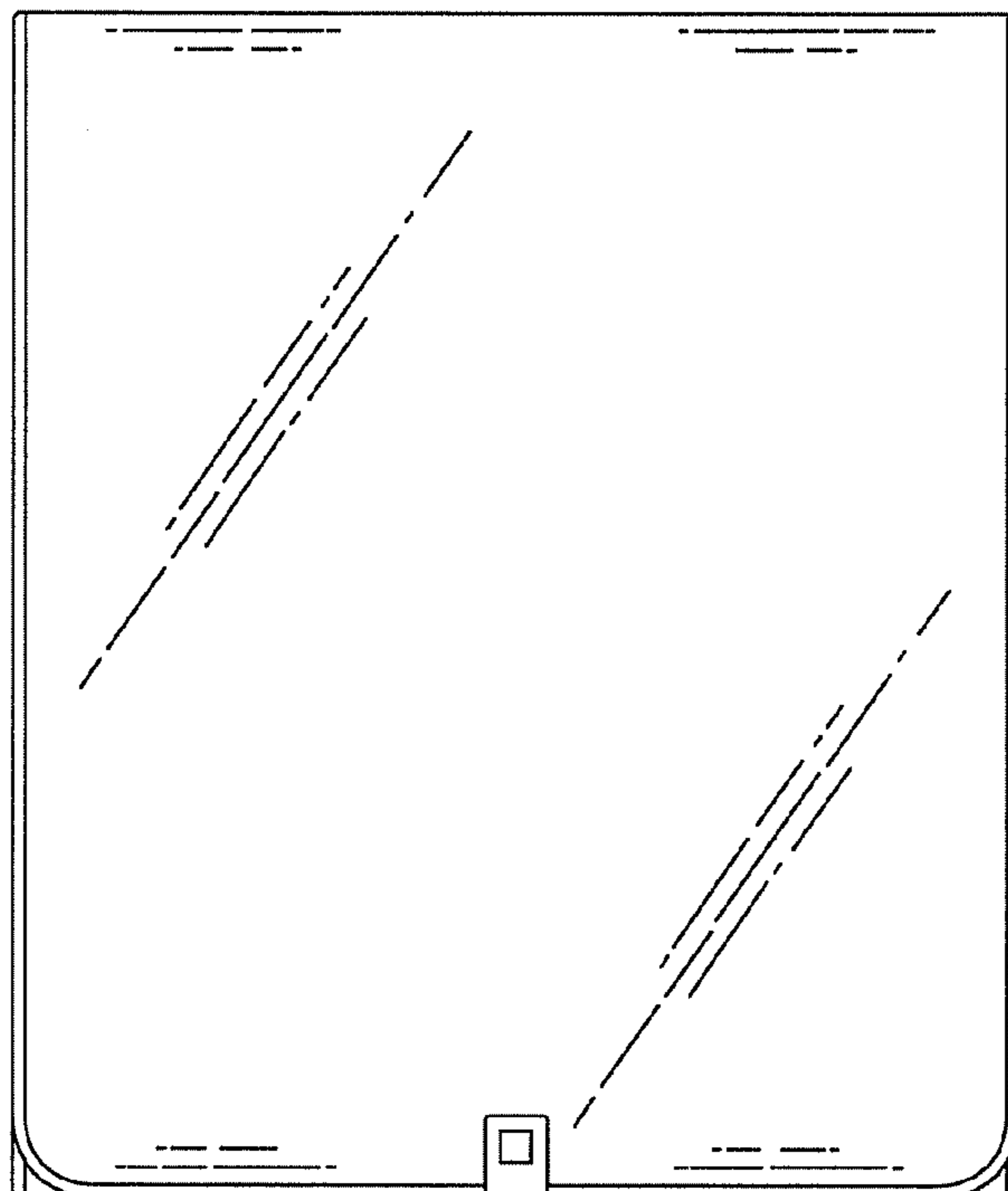


FIG.19

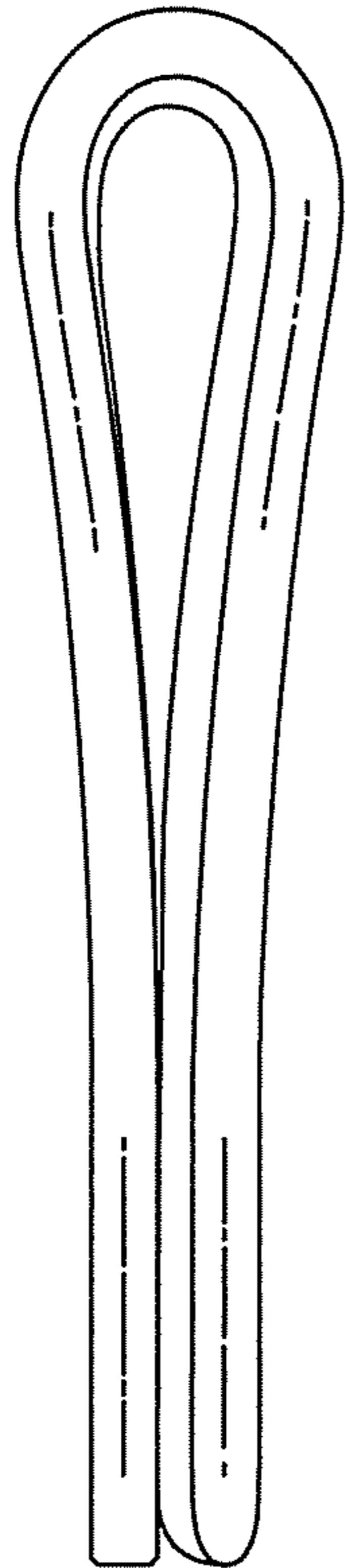


FIG.20

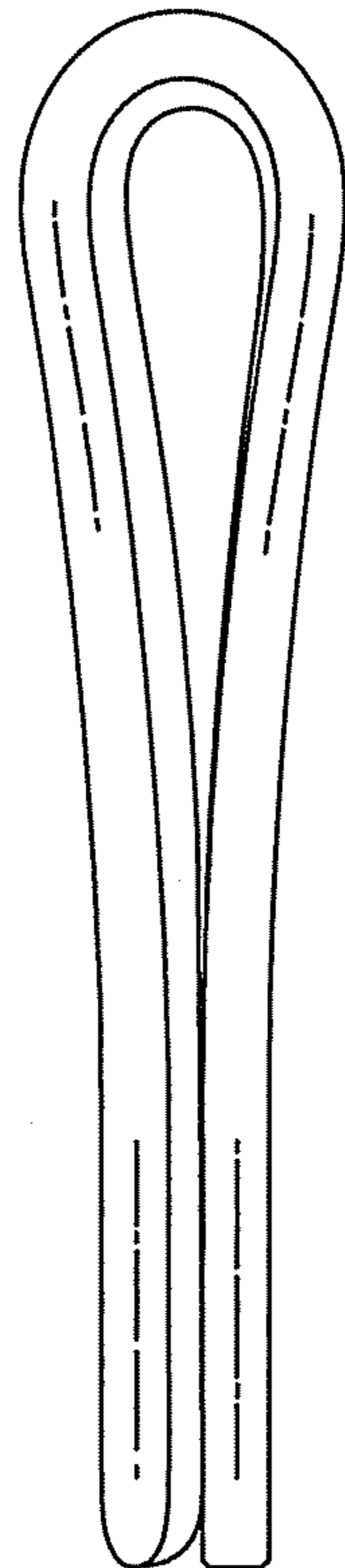


FIG.21

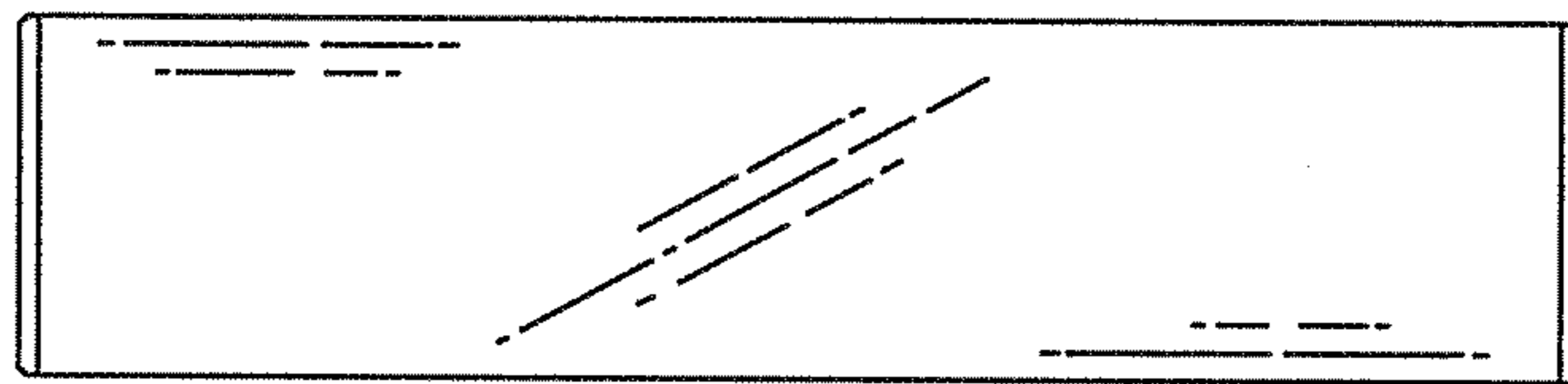


FIG.22

