



US00D748624S

(12) **United States Design Patent**
Magi

(10) **Patent No.:** **US D748,624 S**
(45) **Date of Patent:** **** Feb. 2, 2016**

(54) **WEARABLE COMPUTING DEVICE**

(71) Applicant: **Intel Corporation**, Santa Clara, CA (US)

(72) Inventor: **Aleksander Magi**, Aloha, OR (US)

(73) Assignee: **Intel Corporation**, Santa Clara, CA (US)

(**) Term: **14 Years**

(21) Appl. No.: **29/477,898**

(22) Filed: **Dec. 28, 2013**

(51) **LOC (10) Cl.** **14-02**

(52) **U.S. Cl.**
USPC **D14/344**

(58) **Field of Classification Search**
USPC D8/396; D10/31, 32, 38, 39, 57, 70;
D11/3, 4; D14/126, 138, 138 AA,
D14/138 G, 138 R, 144, 192, 218, 336, 341,
D14/344, 402; D29/120.1; D30/162; 63/9;
224/170; 368/10, 13, 69, 251, 281, 282
CPC G04G 17/045; G04G 17/08
See application file for complete search history.

(56) **References Cited**

U.S. PATENT DOCUMENTS

1,656,199	A	1/1928	Ensley	
5,235,168	A	8/1993	Bobba	
D425,050	S *	5/2000	Tanigawa et al.	D14/126
D460,373	S *	7/2002	Cabarbaye	D11/3
D507,550	S *	7/2005	Kim et al.	D14/138 R
D522,980	S *	6/2006	Chu	D14/126
D522,981	S *	6/2006	Hoehn et al.	D14/126
D533,853	S *	12/2006	Rashid	D14/126

(Continued)

OTHER PUBLICATIONS

WikiHow. How to Bedazzle a Mirror With Costume Jewelry. Sep. 14, 2012 [online], [site visited Jun. 11, 2015]. Available from Inter-

net,<URL:http://www.wikihow.com/Bedazzle-a-Mirror-With-Cos-tume-Jewelry#>.*

(Continued)

Primary Examiner — Robert M Spear
Assistant Examiner — Darcey E Heflin

(74) *Attorney, Agent, or Firm* — Patent Capital Group

(57) **CLAIM**

The ornamental design for a wearable computing device, as shown and described.

DESCRIPTION

FIG. 1 is a perspective view illustrating the first embodiment of a wearable computing device;

FIG. 2 is a back view illustrating a wearable computing device;

FIG. 3 is a front view illustrating a wearable computing device;

FIG. 4 is a side view illustrating a wearable computing device;

FIG. 5 is another side view illustrating a wearable computing device;

FIG. 6 is a top view illustrating a wearable computing device;

FIG. 7 is a bottom view illustrating a wearable computing device;

FIG. 8 is a perspective view illustrating a wearable computing device in an alternate configuration of use;

FIG. 9 is a perspective view illustrating the second embodiment of a wearable computing device according to one embodiment;

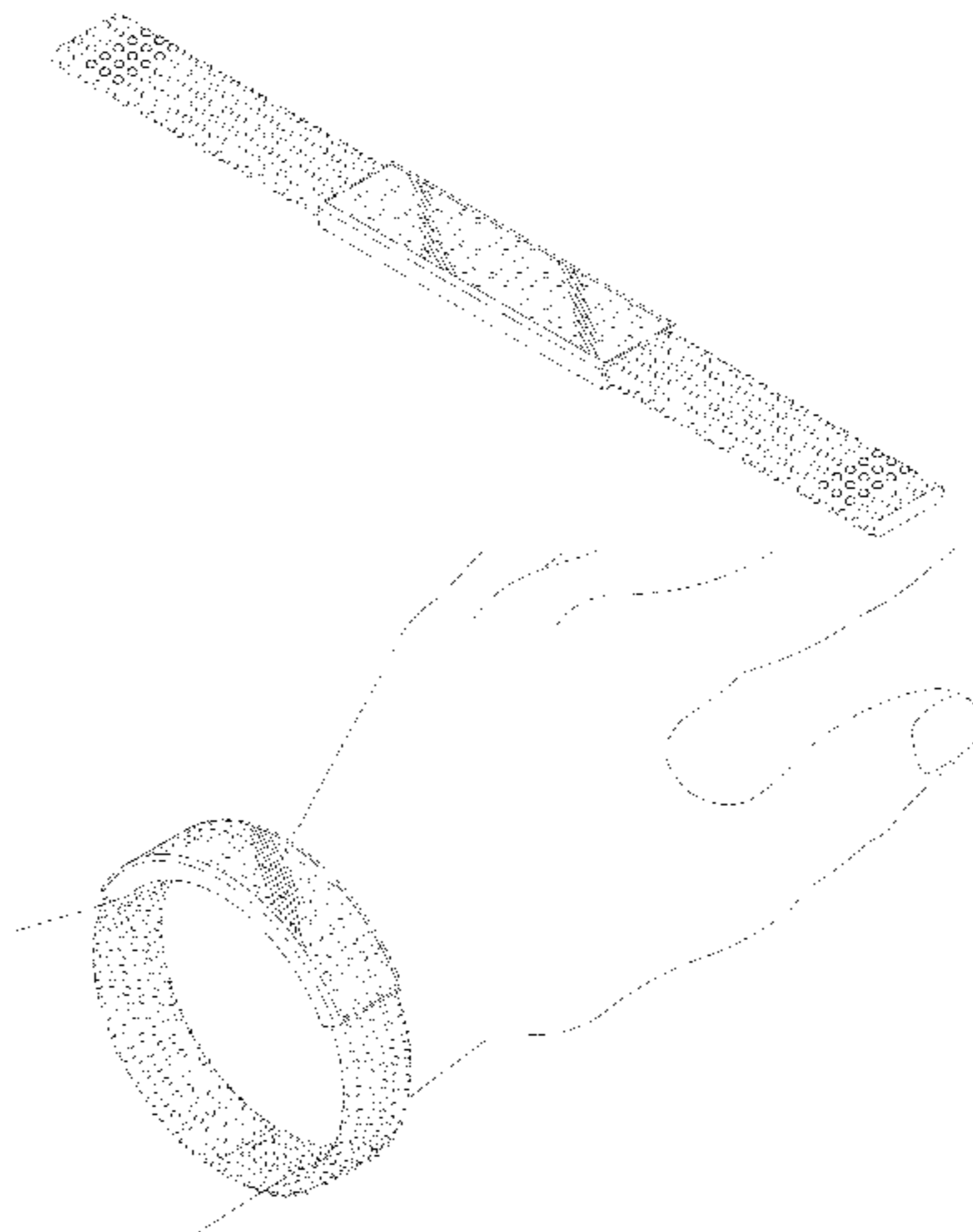
FIG. 10 is a perspective view illustrating the third embodiment of a wearable computing device according to one embodiment;

FIG. 11 is a perspective view illustrating the fourth embodiment of a wearable computing device according to one embodiment; and,

FIG. 12 is a perspective view illustrating the fifth embodiment of a wearable computing device according to one embodiment.

In the drawings, the broken lines depict environmental subject matter only and form no part of the claim.

1 Claim, 7 Drawing Sheets



(56)

References Cited

U.S. PATENT DOCUMENTS

D563,339 S * 3/2008 Tang D14/126
D567,113 S * 4/2008 Tiffoinnet-Airaud D10/32
D580,277 S * 11/2008 Brady et al. D10/32
D639,689 S * 6/2011 Parvex D11/3
D651,931 S * 1/2012 Molik D11/3
D710,236 S * 8/2014 Lee D11/4
D719,158 S 12/2014 Akana et al.
D729,233 S 5/2015 Lee et al.
2005/0021679 A1 1/2005 Lightman et al.
2008/0208009 A1 8/2008 Shklarski
2014/0094675 A1 4/2014 Luna et al.
2014/0208546 A1 7/2014 Lee et al.
2015/0052943 A1 2/2015 Inglis
2015/0182128 A1 7/2015 Magi

OTHER PUBLICATIONS

U.S. Appl. No. 14/142,777, filed Dec. 28, 2013, and entitled Wearable Electronic Device for Determining User Health Status, Inventor Aleksander Magi.
U.S. Appl. No. 29/477,904, filed Dec. 28, 2013, and entitled Wearable Computing Device, inventor Aleksander Magi.
USPTO Restriction Requirement Action in U.S. Appl. No. 29/477,904, mailed on Jun. 30, 2015.
Non-Final Office Action in U.S. Appl. No. 14/142,777, mailed on Jun. 5, 2015.
Uttermost. Avidan Antique Gold Mirror. Aug. 11, 2011 [online], [sited visited Sep. 9, 2015]. Available from internet, <URL:http://www.uttermost.com/p-2398-avidan.aspx>.
USPTO Non Final Action in U.S. Appl. No. 29/477,904 mailed on Sep. 17, 2015.

* cited by examiner

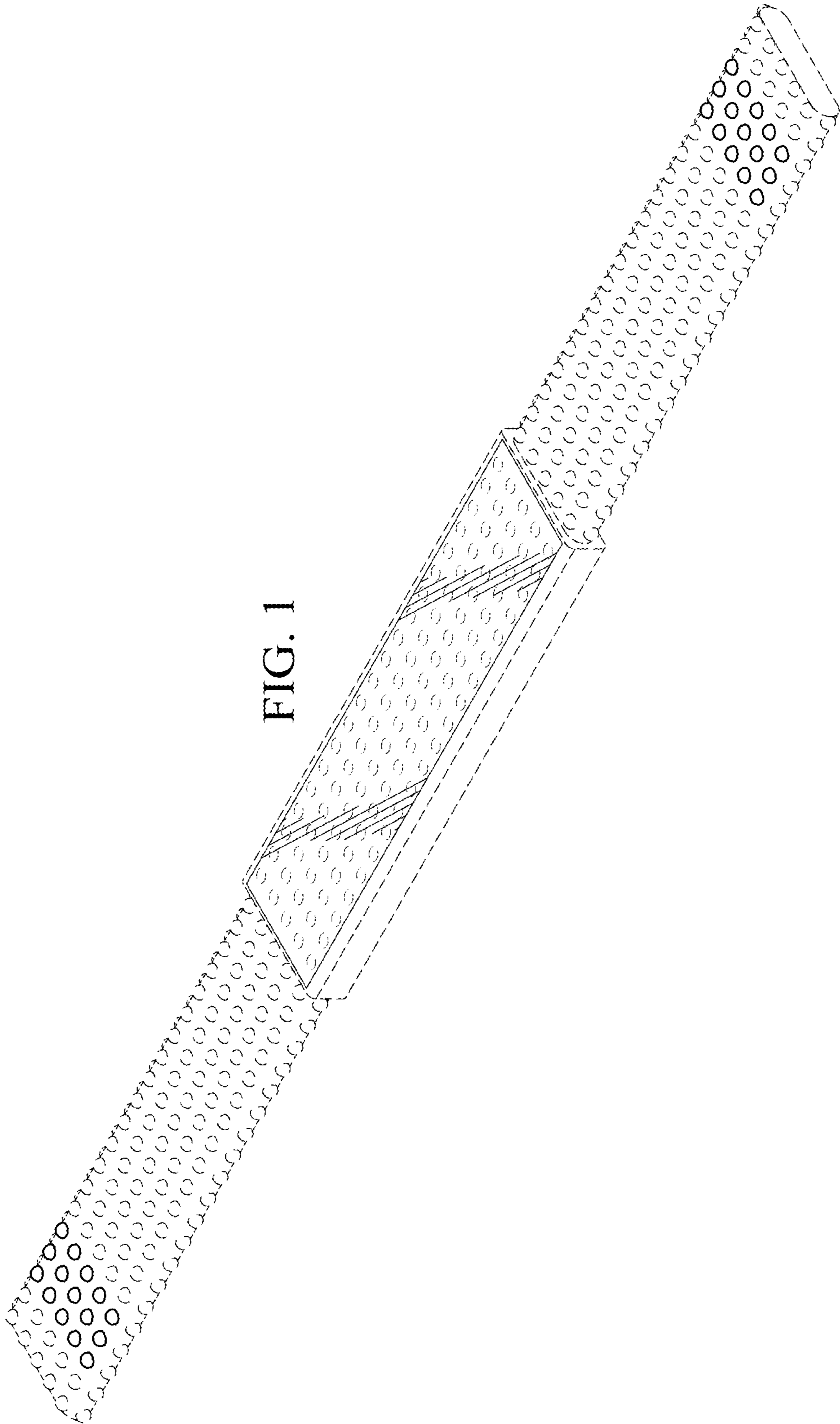


FIG. 1

FIG. 2

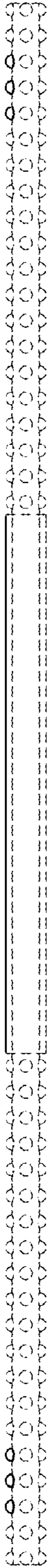


FIG. 3

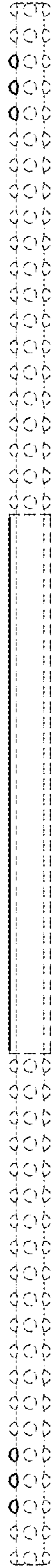


FIG. 4

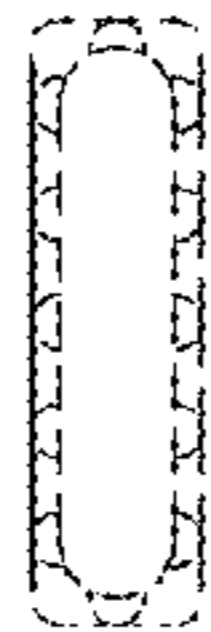


FIG. 5

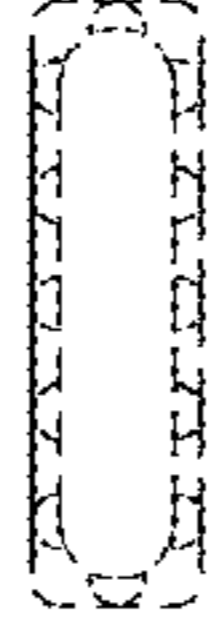


FIG. 6

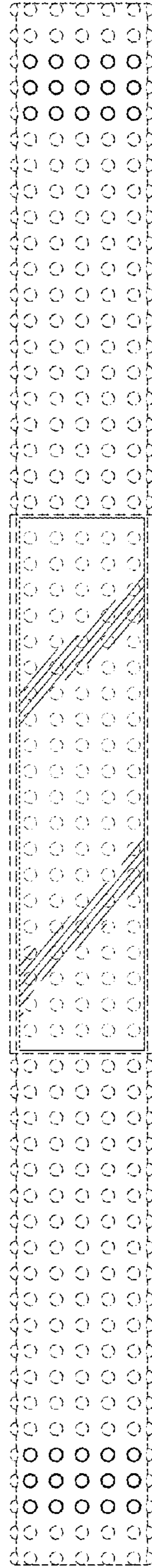


FIG. 7



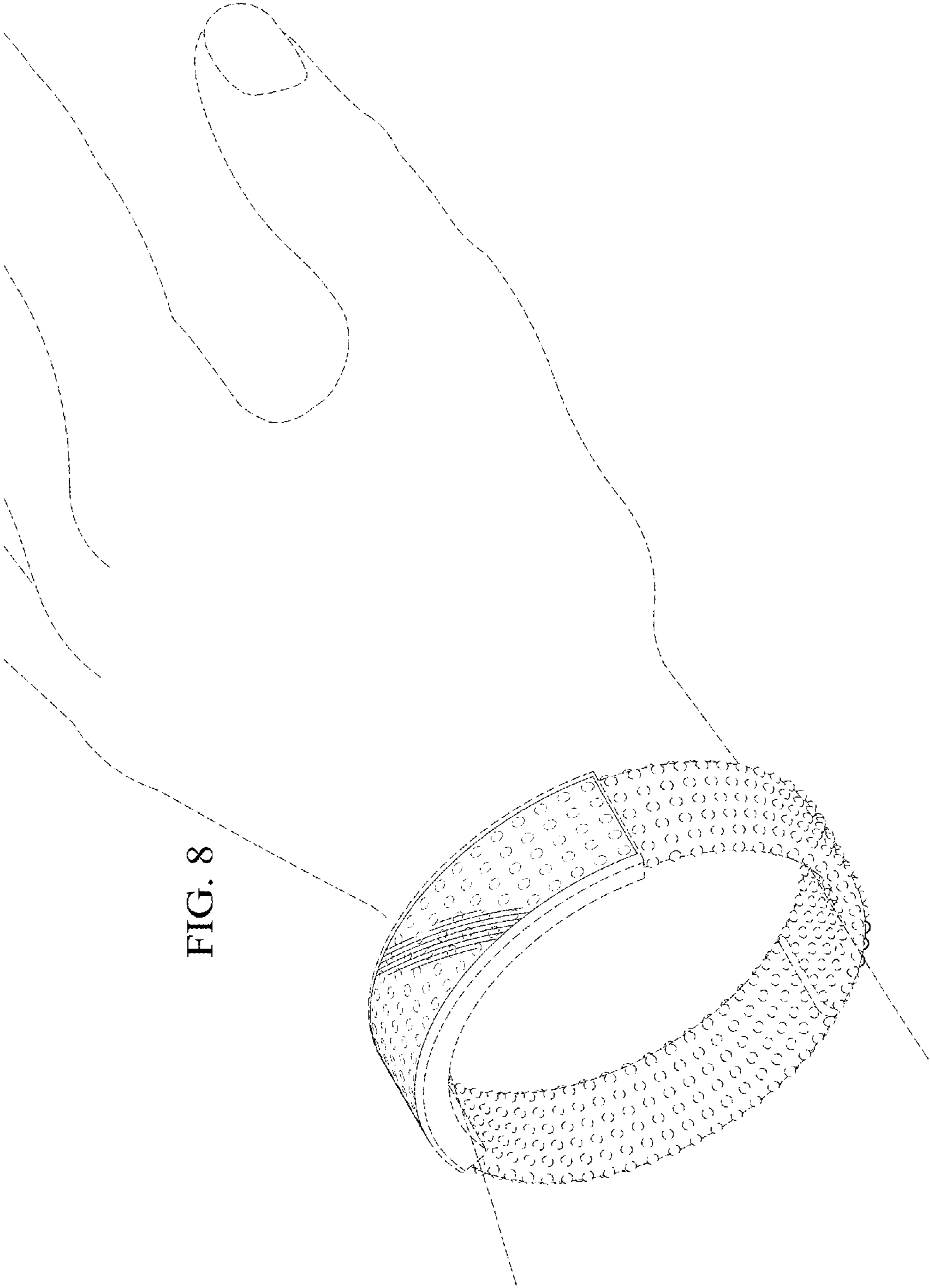


FIG. 8

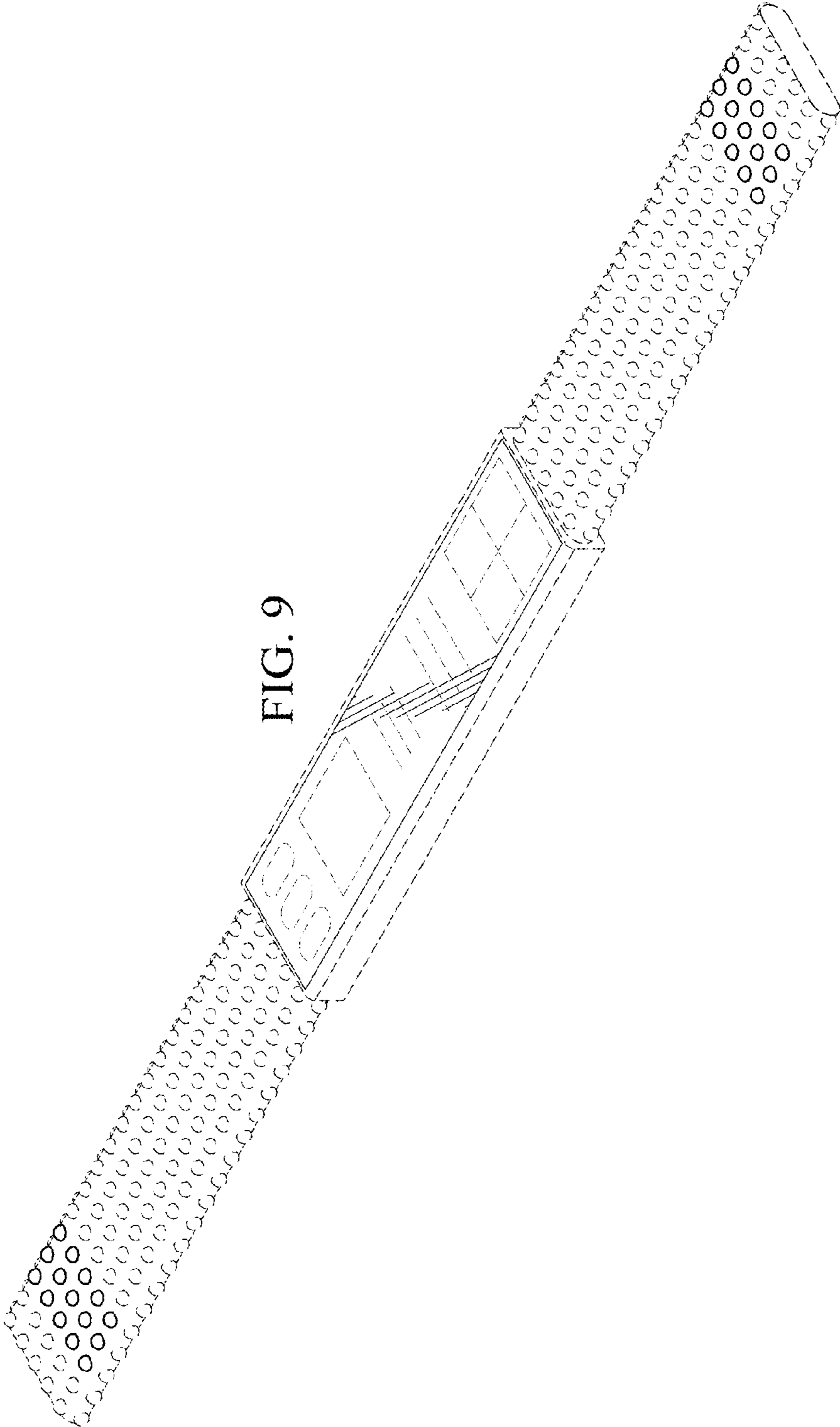


FIG. 9

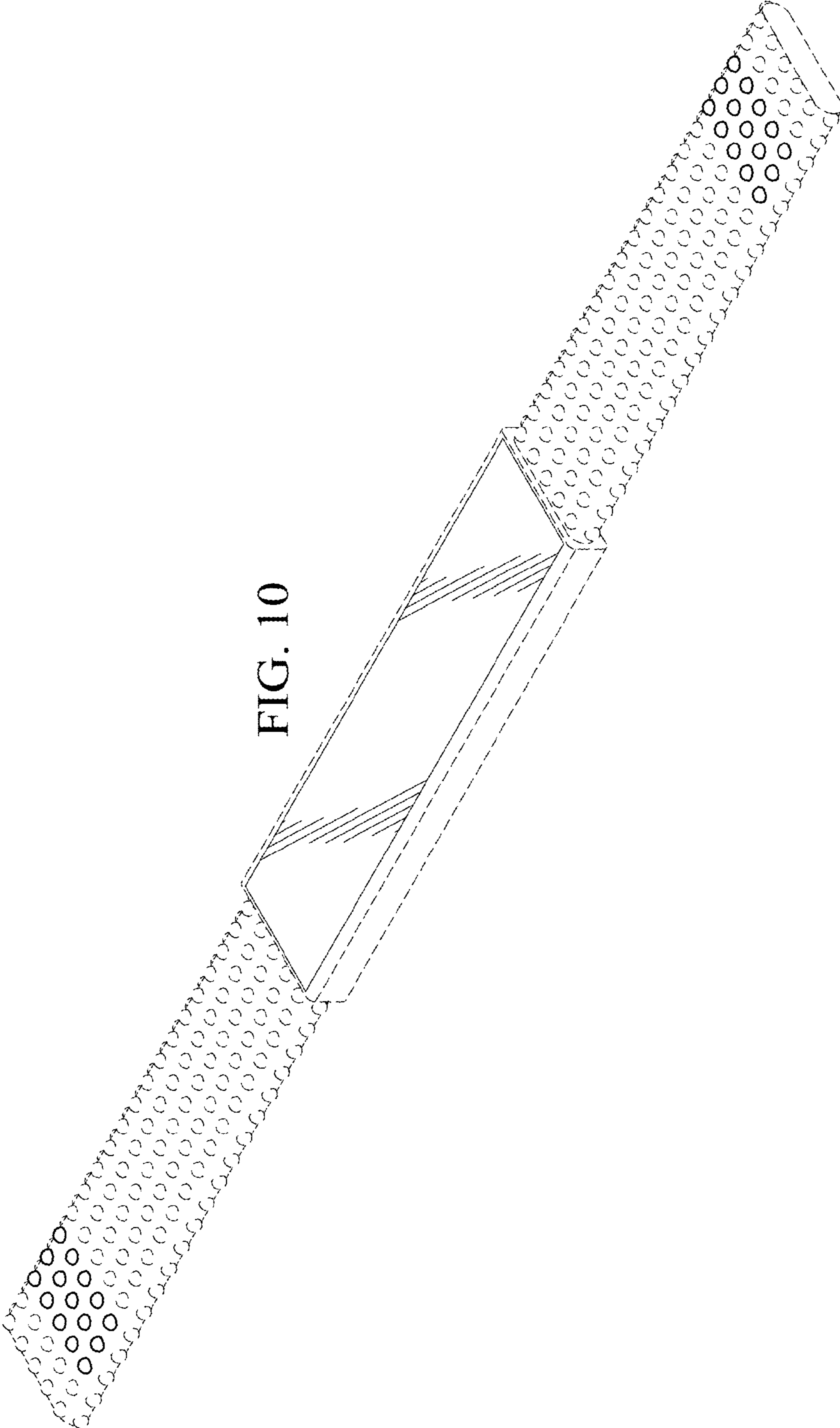


FIG. 10

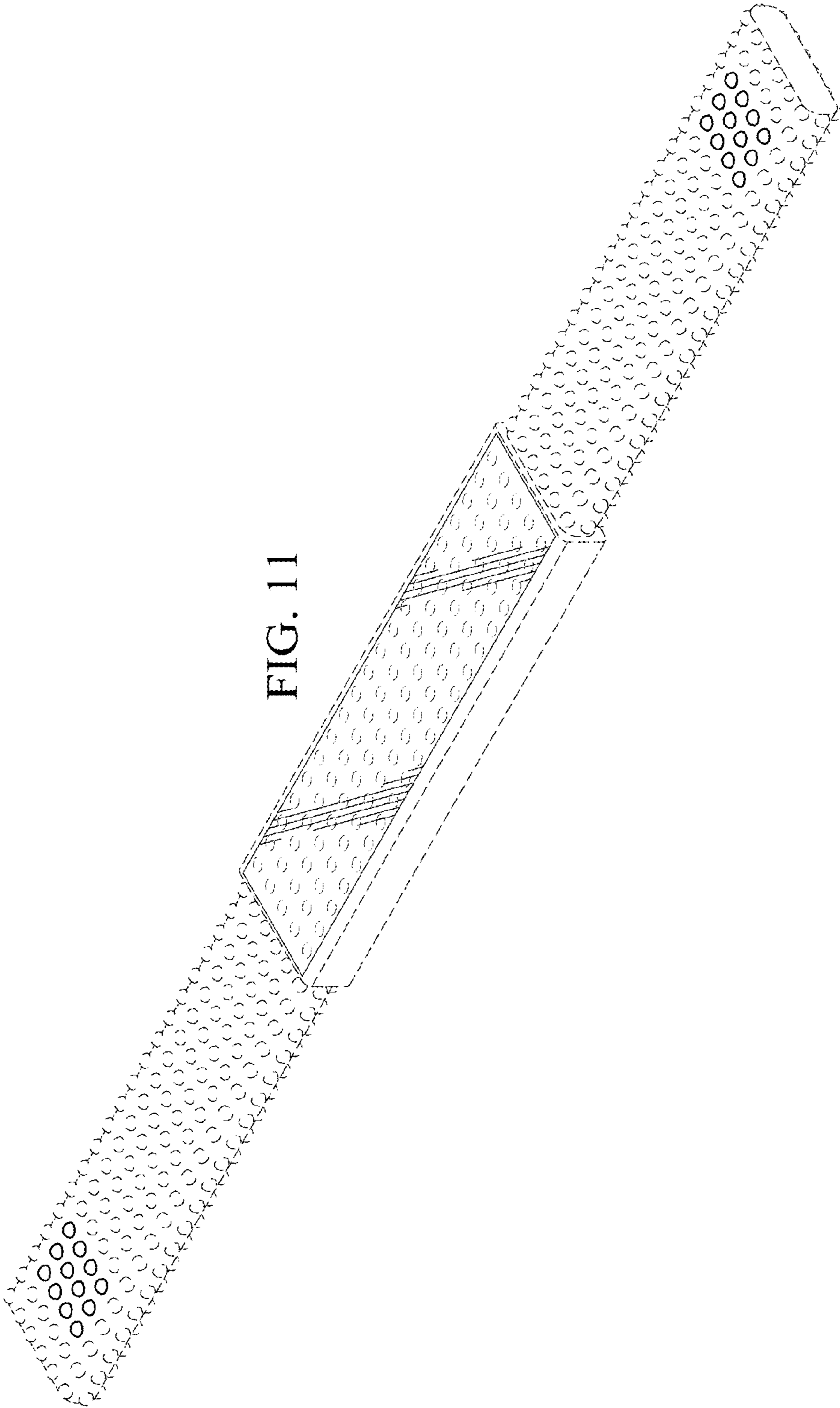


FIG. 11

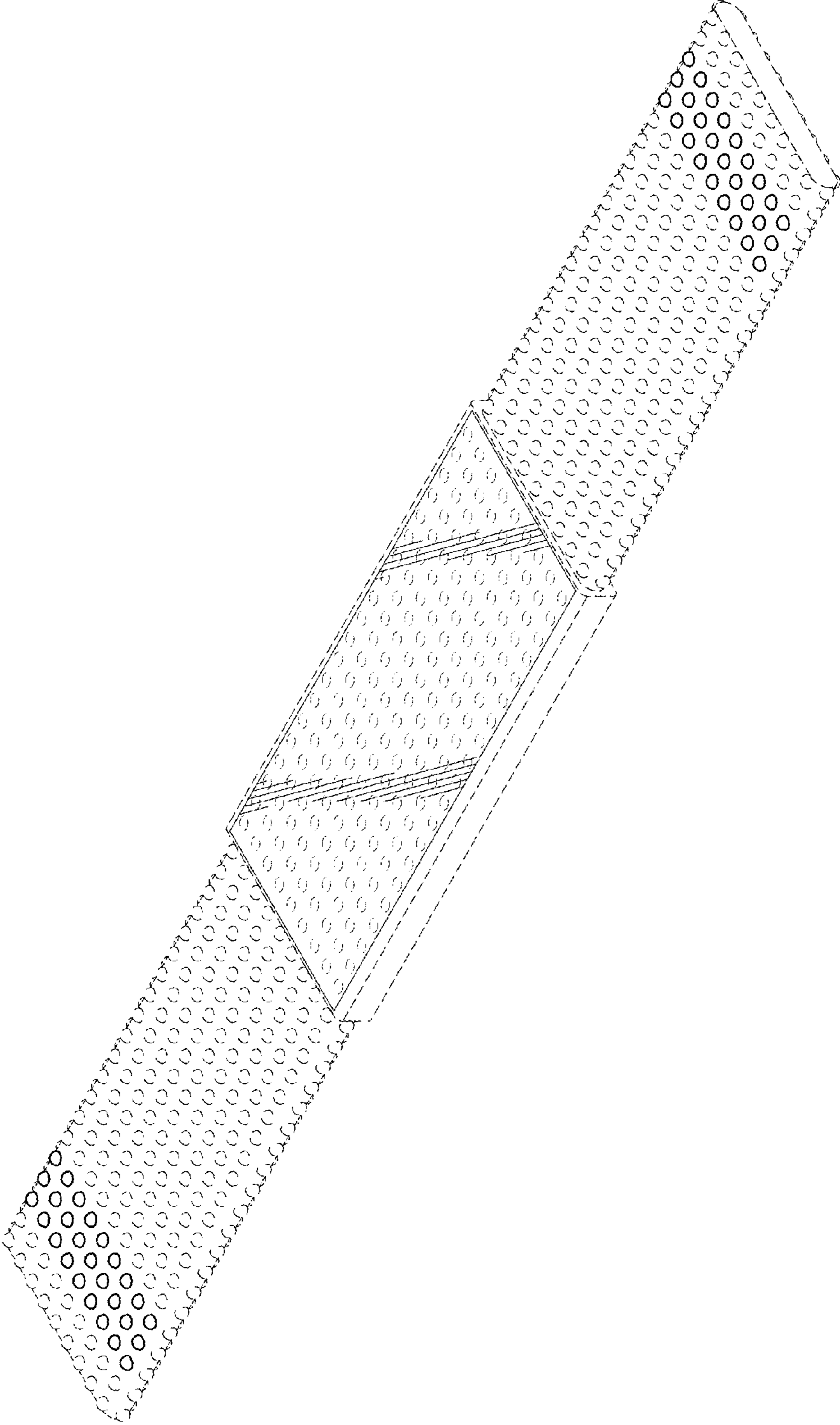


FIG. 12