



US00D748623S

(12) **United States Design Patent**
Guo et al.

(10) **Patent No.:** **US D748,623 S**
(45) **Date of Patent:** **** Feb. 2, 2016**

(54) **COMPONENT FOR ELECTRONIC DEVICES**

(71) Applicant: **Power Idea Technology (Shenzhen) Co., Ltd., Shenzhen (CN)**

(72) Inventors: **Zhen-Yu Guo, Shenzhen (CN); Dong-Ming Chen, Shenzhen (CN)**

(73) Assignee: **Power Idea Technology (Shenzhen) Co., Ltd., Shenzhen (CN)**

(**) Term: **14 Years**

(21) Appl. No.: **29/496,428**

(22) Filed: **Jul. 11, 2014**

(51) **LOC (10) Cl.** **14-02**

(52) **U.S. Cl.**
USPC **D14/341; D14/441; D14/511**

(58) **Field of Classification Search**
USPC D14/341, 441, 250, 496, 203.3, 474, D14/483, 217, 137, 138, 160, 168, 138 R, D14/138 AA, 138 AC, 138 C, 138 G, 346, D14/203.1-203.8, 507, 511, 125; 345/156, 345/169; 455/575.1; 273/148 B
CPC H04M 1/0202; H04M 1/0235; H04M 1/0237; H04M 1/0239; H04M 2250/52
See application file for complete search history.

(56) **References Cited**

U.S. PATENT DOCUMENTS

- 6,238,291 B1 * 5/2001 Fujimoto A63F 13/02
273/148 B
- D490,070 S * 5/2004 Lee D14/188
- D494,151 S * 8/2004 Walliser D14/138 G
- 6,769,603 B2 * 8/2004 Nagai G11B 20/10527
235/375
- D499,423 S * 12/2004 Bahroocha D14/203.7
- D511,347 S * 11/2005 Naruki D14/203.7
- D511,512 S * 11/2005 Yang D14/203.3
- D520,515 S * 5/2006 Sitoh D14/203.7
- D523,837 S * 6/2006 Lee D14/138 AA
- D532,425 S * 11/2006 Kim D14/203.7

- D533,565 S * 12/2006 Kim D14/203.7
- D537,060 S * 2/2007 Moon D14/138 AA
- 7,180,735 B2 * 2/2007 Thomas G06F 1/1626
206/701
- D539,306 S * 3/2007 Naruki D14/203.7
- 7,203,529 B2 * 4/2007 Kim H04N 1/2112
348/E7.079
- D545,294 S * 6/2007 Hwang D14/138 AA
- D546,802 S * 7/2007 Cho D14/138 AA
- 7,239,900 B2 * 7/2007 Choi H04M 1/021
455/550.1
- D550,708 S * 9/2007 Kim D14/496
- D550,714 S * 9/2007 Ferraboshi D14/496
- D551,253 S * 9/2007 Shin D14/496
- D557,279 S * 12/2007 Kim D14/496
- D558,460 S * 1/2008 Yu D14/341
- D560,686 S * 1/2008 Kim D14/496
- D561,204 S * 2/2008 Toh D14/496
- D563,378 S * 3/2008 Tseng D14/138 AA
- D602,015 S * 10/2009 Andre D14/203.7
- D603,389 S * 11/2009 Khan D14/250
- D607,872 S * 1/2010 Lee D14/203.3
- D613,722 S * 4/2010 Kaneta D14/138 G
- D616,407 S * 5/2010 Kim D14/138 G

(Continued)

Primary Examiner — Paula Greene

(74) *Attorney, Agent, or Firm* — Shimokaji IP

(57) **CLAIM**

The ornamental design for a component for electronic devices, as shown and described.

DESCRIPTION

FIG. 1 is a perspective view of the invention from the front left side.

FIG. 2 is a perspective view from the rear right side thereof.

FIG. 3 is a left elevation view thereof.

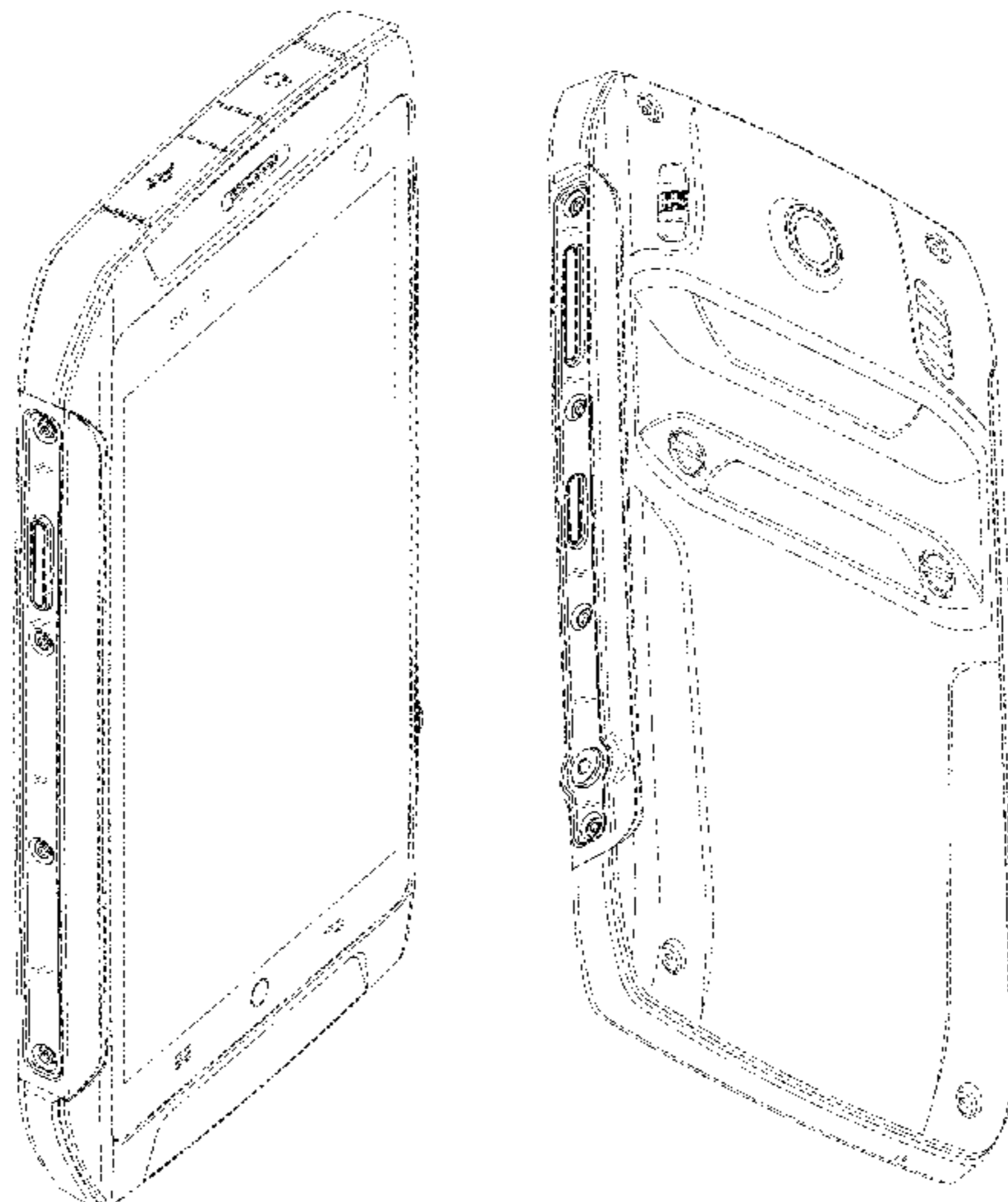
FIG. 4 is a right elevation view thereof.

FIG. 5 is a rear elevation view thereof; and,

FIG. 6 is a top elevation view thereof.

The broken lines in the drawings are employed to show environmental structures only, and form no part of the claimed design.

1 Claim, 6 Drawing Sheets



(56)

References Cited

U.S. PATENT DOCUMENTS

D618,196 S *	6/2010	Bang	D14/138 AA	D683,338 S *	5/2013	Wilson	D14/250
D628,978 S *	12/2010	Kim	D14/203.3	8,542,482 B2 *	9/2013	Hsiung	H04M 1/236 200/341
D629,788 S *	12/2010	Lee	D14/203.3	D693,787 S *	11/2013	Reivo	D14/138 G
D644,216 S *	8/2011	Richardson	D14/250	D702,732 S *	4/2014	Wu	D14/203.5
D662,488 S *	6/2012	Yeo	D14/203.3	D704,164 S *	5/2014	Green	D14/217
D663,319 S *	7/2012	Chen	D14/203.3	D707,214 S *	6/2014	Reivo	D14/248
D665,372 S *	8/2012	Park	D14/138 G	D717,265 S *	11/2014	Zhao	D14/138 G
D666,578 S *	9/2012	Lin	D14/203.3	D717,758 S *	11/2014	Kim	D14/138 G
D676,459 S *	2/2013	Hofer	D14/203.3	8,976,523 B2 *	3/2015	Song	H05K 5/0239 361/679.3
8,378,796 B2 *	2/2013	Hwang	G06F 1/1626 340/407.1	9,031,616 B2 *	5/2015	Gagne	H04M 1/185 345/633
D677,233 S *	3/2013	Mauritzson	D14/138 G	D736,205 S *	8/2015	Park	D14/138 R

* cited by examiner

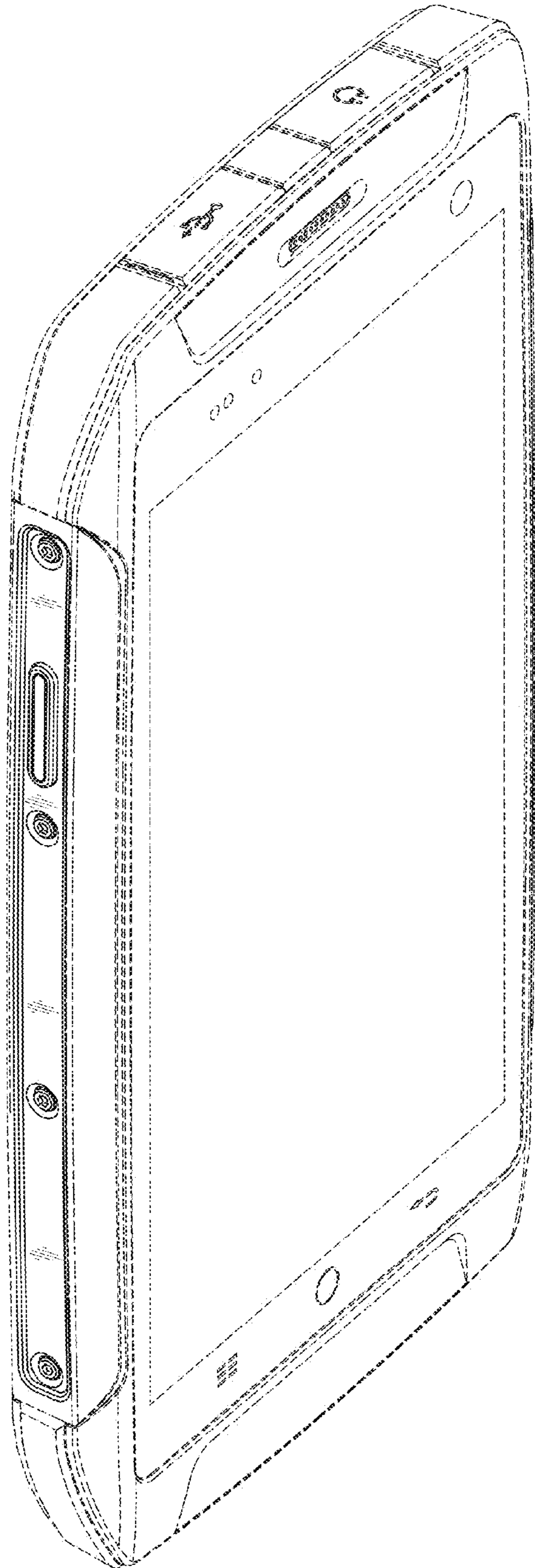


FIG. 1



FIG. 2

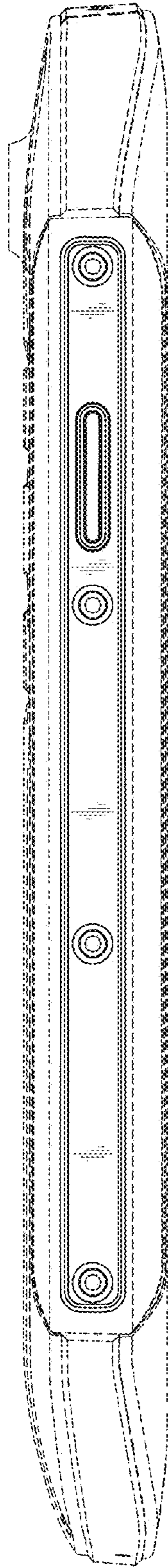


FIG. 3

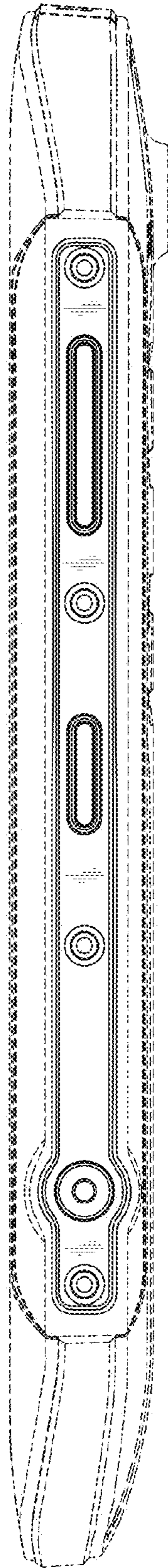


FIG. 4

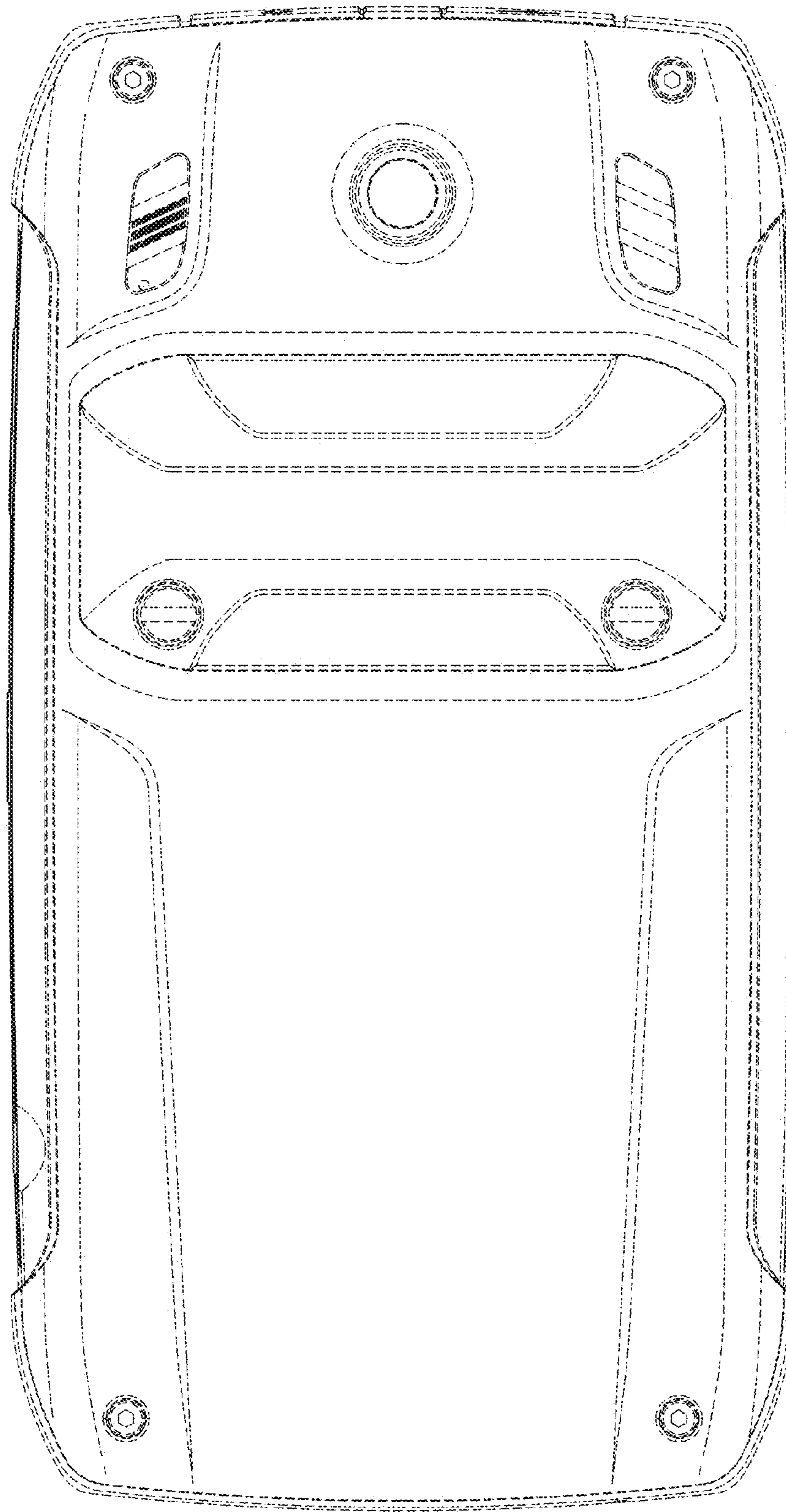


FIG. 5

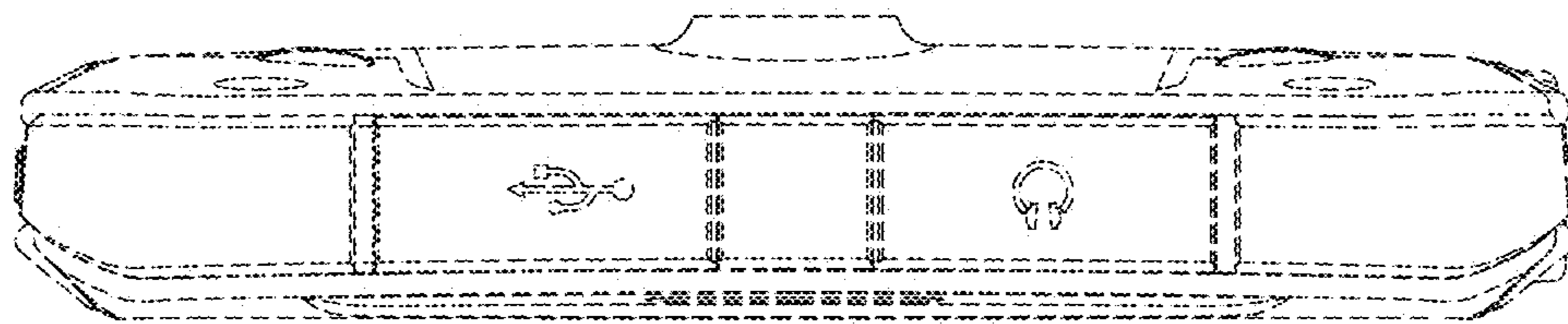


FIG. 6