



US00D748620S

(12) **United States Design Patent**
Chung et al.

(10) **Patent No.:** **US D748,620 S**

(45) **Date of Patent:** **** Feb. 2, 2016**

(54) **TABLET COMPUTER**

(71) Applicant: **Samsung Electronics Co., Ltd.**,
Suwon-Si, Gyeonggi-Do (KR)

(72) Inventors: **In Sik Chung**, Seoul (KR); **Kwang Ha Choi**, Seoul (KR)

(73) Assignee: **Samsung Electronics Co., Ltd.**,
Gyeonggi-Do (KR)

(**) Term: **14 Years**

(21) Appl. No.: **29/454,357**

(22) Filed: **May 9, 2013**

(30) **Foreign Application Priority Data**

Nov. 28, 2012 (KR) 30-2012-0056937

(51) **LOC (10) Cl.** **14-02**

(52) **U.S. Cl.**
USPC **D14/341**

(58) **Field of Classification Search**
USPC D14/341-347, 137, 138 R, 138 AA,
D14/138 AB, 138 C, 138 G, 496, 203.1,
D14/203.3, 203.4, 203.7, 129, 130, 147,
D14/248, 250, 374, 385, 388, 389, 315-318,
D14/439, 126, 336, 339, 340; D10/104.1;
D21/329; 455/556.1, 556.2, 566,
455/575.1, 90.3; 379/433.04, 433.01,
379/433.06; 345/173, 901, 905;
361/679.26, 679.27, 679.3, 679.55,
361/679.56, 680-686; D6/308, 310;
348/373, 376; 248/917-924
CPC A63H 33/3016; G06F 1/1613; H04M
1/0202; H04M 1/0279; H04M 1/0281; H04M
1/0283

See application file for complete search history.

(56) **References Cited**

U.S. PATENT DOCUMENTS

D636,769	S	*	4/2011	Wood et al.	D14/341
D639,262	S	*	6/2011	Harrison	D14/138 AA
D639,805	S	*	6/2011	Song et al.	D14/341
D652,016	S	*	1/2012	Han	D14/138 AA
D654,074	S	*	2/2012	Wood et al.	D14/341
D654,904	S	*	2/2012	Huang	D14/138 AA
D663,298	S	*	7/2012	Song et al.	D14/341
D667,825	S	*	9/2012	Jung	D14/341
D677,255	S	*	3/2013	McManigal et al.	D14/341
D687,032	S	*	7/2013	Sanjo et al.	D14/341
D689,481	S	*	9/2013	Song et al.	D14/341
D689,856	S	*	9/2013	Shen	D14/341
D694,211	S	*	11/2013	Yuu et al.	D14/138 G
D701,202	S	*	3/2014	Choi	D14/341
D702,228	S	*	4/2014	Park	D14/341
D706,774	S	*	6/2014	Park et al.	D14/341
D712,899	S	*	9/2014	Park et al.	D14/341

* cited by examiner

Primary Examiner — Barbara Fox

Assistant Examiner — Dana K Weiland

(74) *Attorney, Agent, or Firm* — Harness, Dickey & Pierce,
P.L.C.

(57) **CLAIM**

The ornamental design for a tablet computer, as shown and described.

DESCRIPTION

FIG. 1 is the front/right-side/top perspective view of a tablet computer showing our new design;
FIG. 2 is the front-side elevational view thereof;
FIG. 3 is the rear-side elevational view thereof,
FIG. 4 is the left-side elevational view thereof;
FIG. 5 is the right-side elevational view thereof;
FIG. 6 is the top-side view thereof; and,
FIG. 7 is the bottom-side view thereof.
The broken lines shown in the drawings represent portions of the tablet computer that form no part of the claimed design.

1 Claim, 6 Drawing Sheets

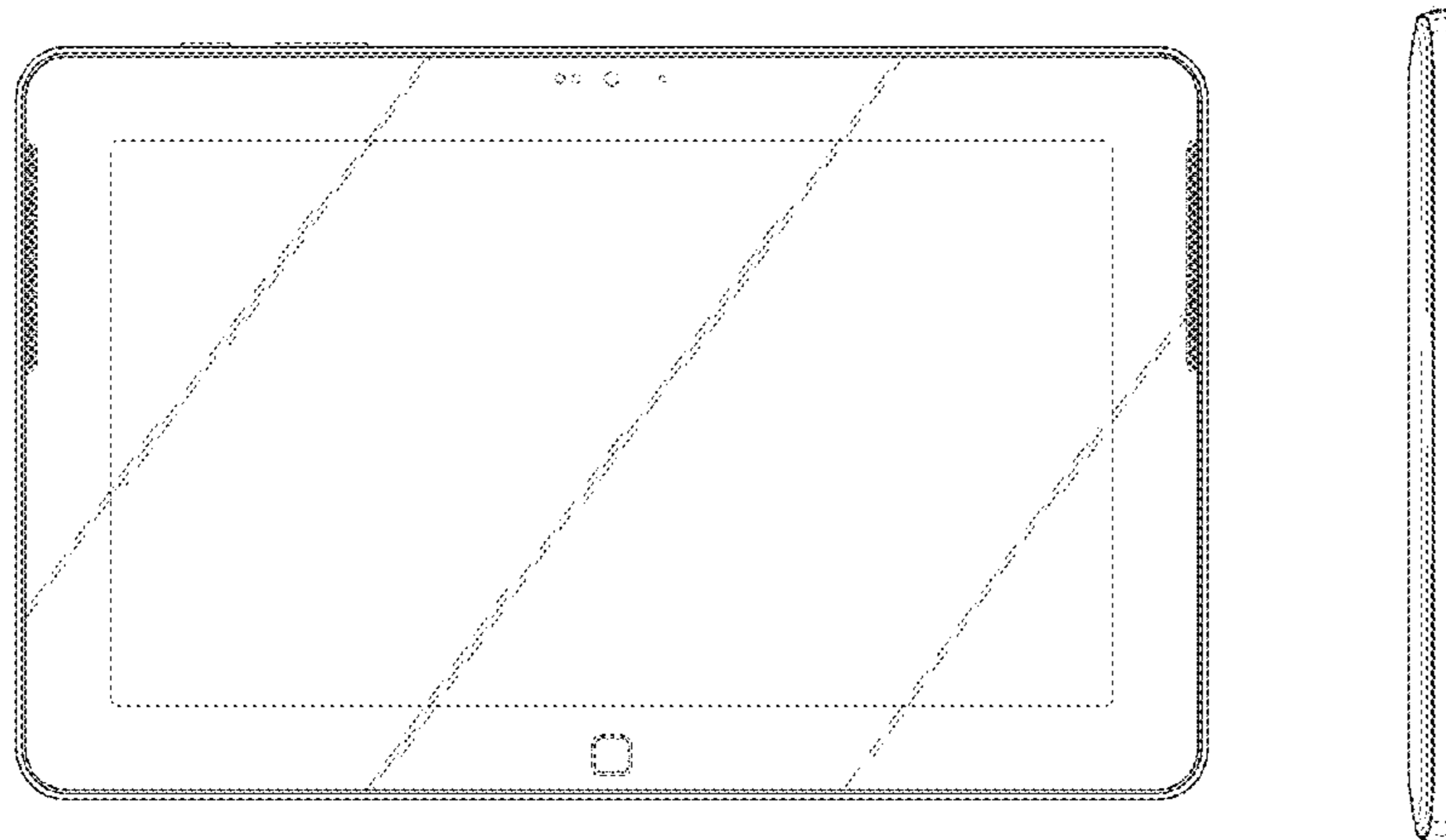


FIG. 1

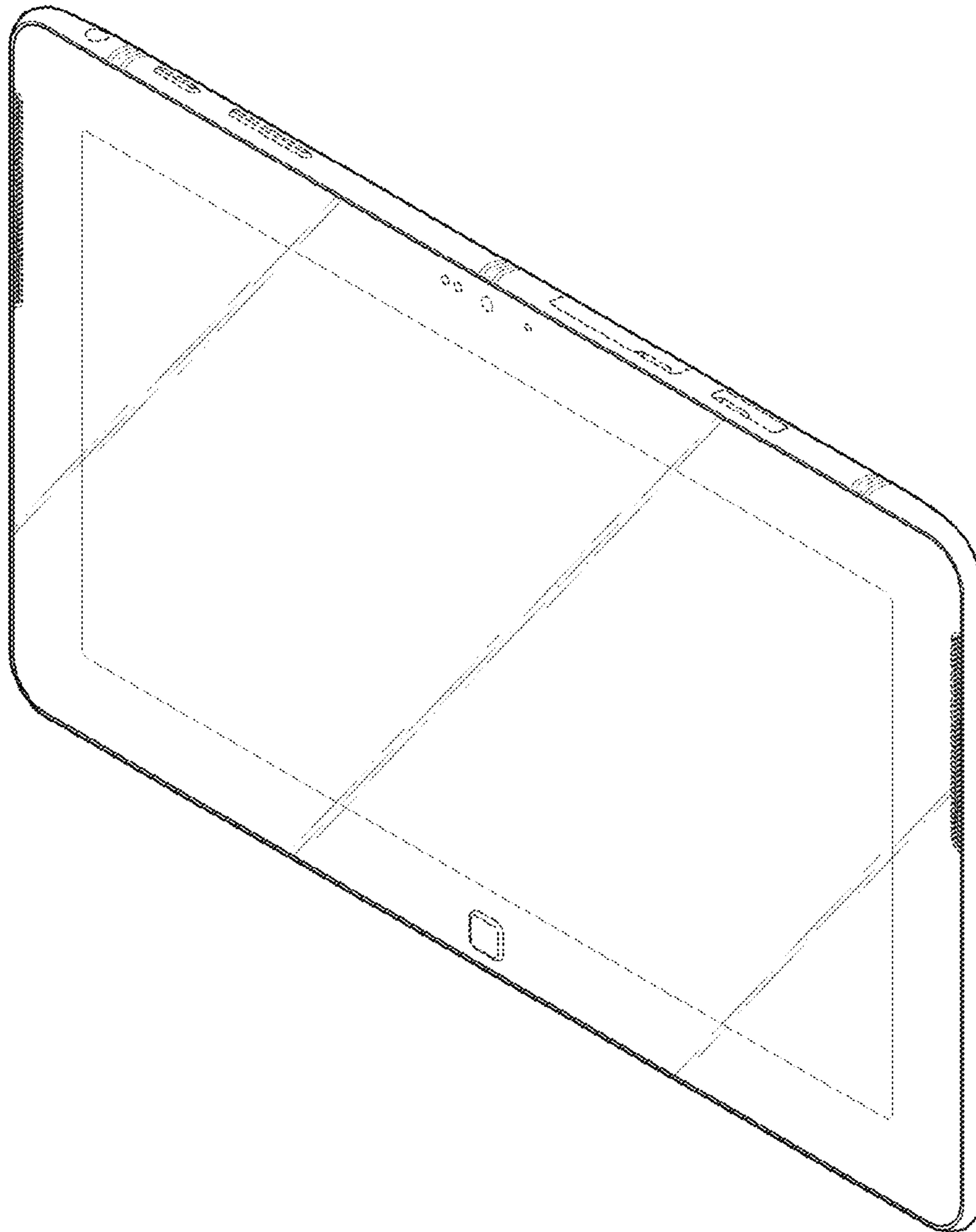


FIG. 2

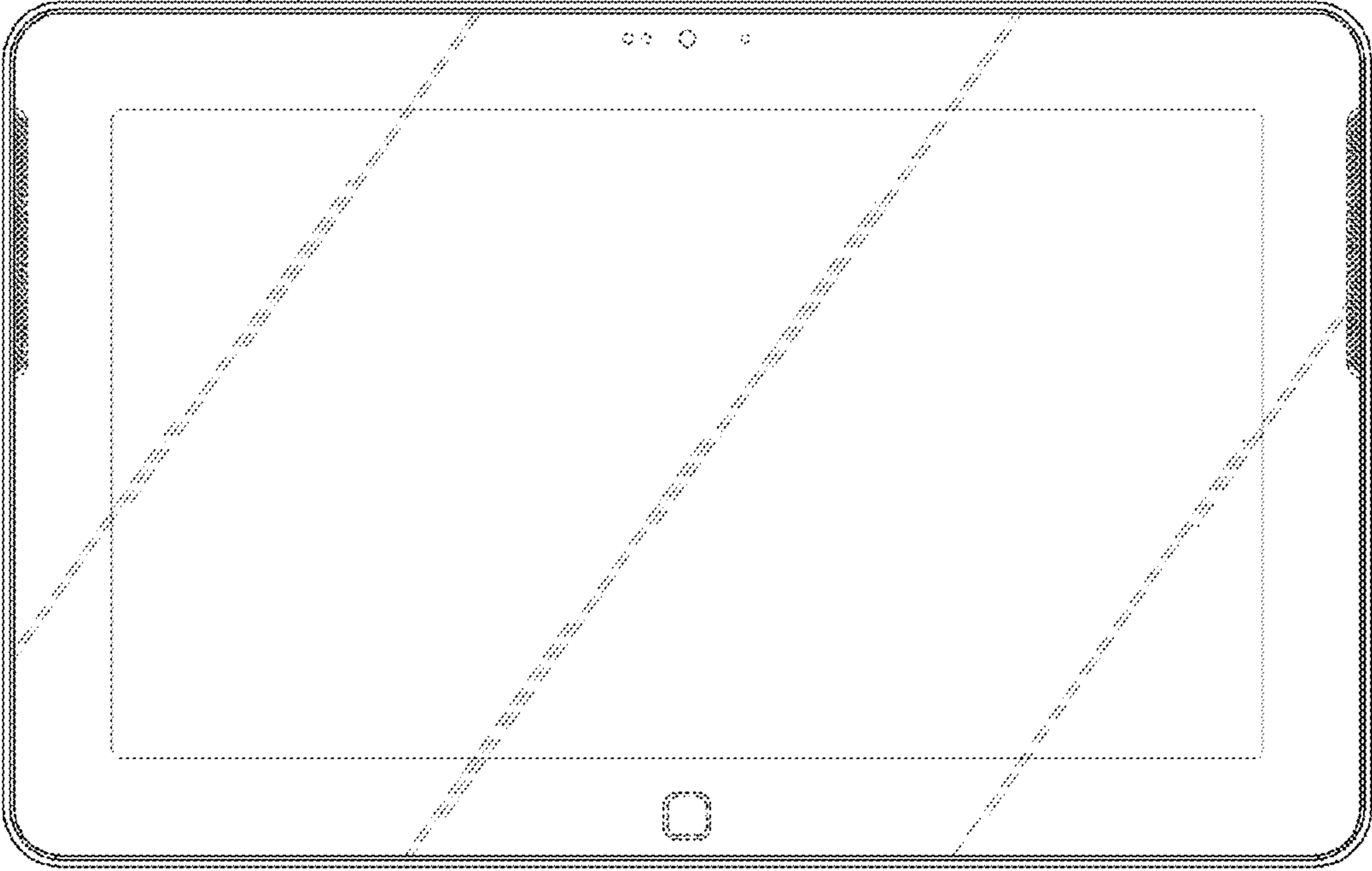


FIG. 3

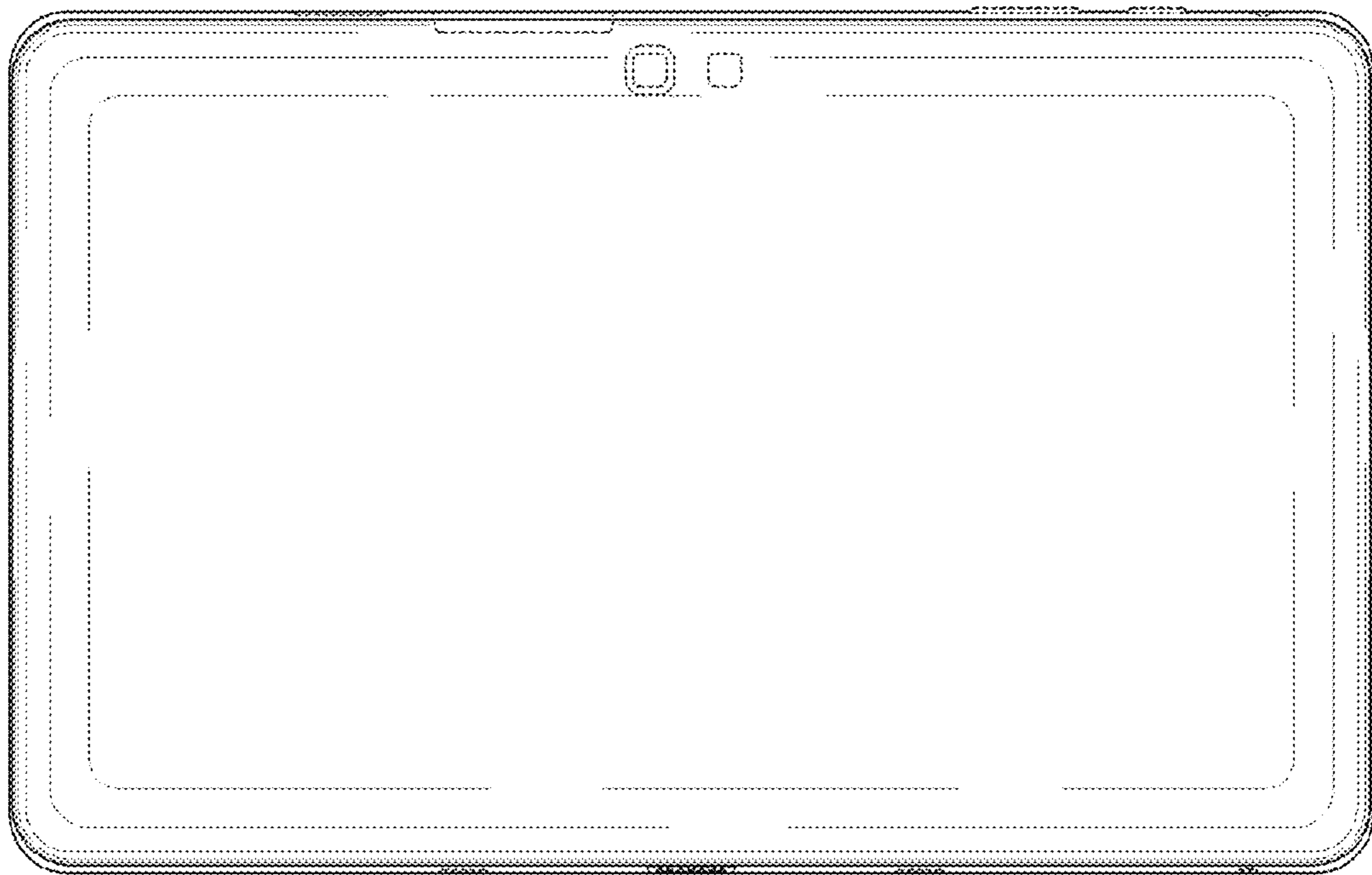


FIG. 4

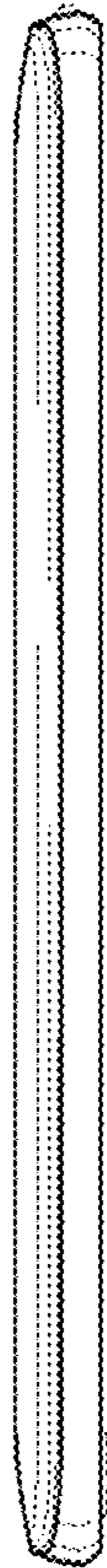


FIG. 5



FIG. 6



FIG. 7

