



US00D748618S

(12) **United States Design Patent**
Ent et al.

(10) **Patent No.:** **US D748,618 S**

(45) **Date of Patent:** **** Feb. 2, 2016**

(54) **SERVER UNIT**

(56) **References Cited**

(71) Applicant: **Lenovo (Singapore) Pte. Ltd.,**
Singapore (SG)

(72) Inventors: **Ali Kathryn Ent**, Garner, NC (US);
David W. Hill, Cary, NC (US); **John**
David Swansey, Durham, NC (US);
Gerard Francis Muenkel, Raleigh, NC
(US)

(73) Assignee: **Lenovo (Singapore) Pte. Ltd.,**
Singapore (SG)

U.S. PATENT DOCUMENTS

D435,559	S	*	12/2000	Tanaka	D14/444
6,549,398	B2	*	4/2003	Chen	G06F 1/184 312/223.1
D481,385	S	*	10/2003	Tanaka	D14/308
D626,955	S	*	11/2010	Brusca	D14/301
D635,563	S	*	4/2011	Brusca	D14/301
D690,706	S	*	10/2013	Mueller	D14/441
D693,336	S	*	11/2013	Youens	D14/300
D707,224	S	*	6/2014	Bae	D14/349

* cited by examiner

(**) Term: **14 Years**

Primary Examiner — Freda S Nunn

(21) Appl. No.: **29/499,057**

(74) *Attorney, Agent, or Firm* — Brian J. Pangrle

(22) Filed: **Aug. 11, 2014**

(51) **LOC (10) Cl.** **14-02**

(52) **U.S. Cl.**
USPC **D14/301**

(58) **Field of Classification Search**
USPC D14/240, 300, 301, 308, 313, 314,
D14/348-356, 364-368, 441-446;
D13/162, 184, 199; 312/223.1-223.3,
312/351.11; 360/99.01-99.12;
369/34.01-36.01; 361/679.31-679.33,
361/679.37, 679.39, 679.46, 679.53, 679.4,
361/679.41, 727
CPC G06F 1/20; G06F 1/181; G06F 1/187;
G06F 1/184; H05K 7/16; H05K 7/1424;
H05H 7/20

See application file for complete search history.

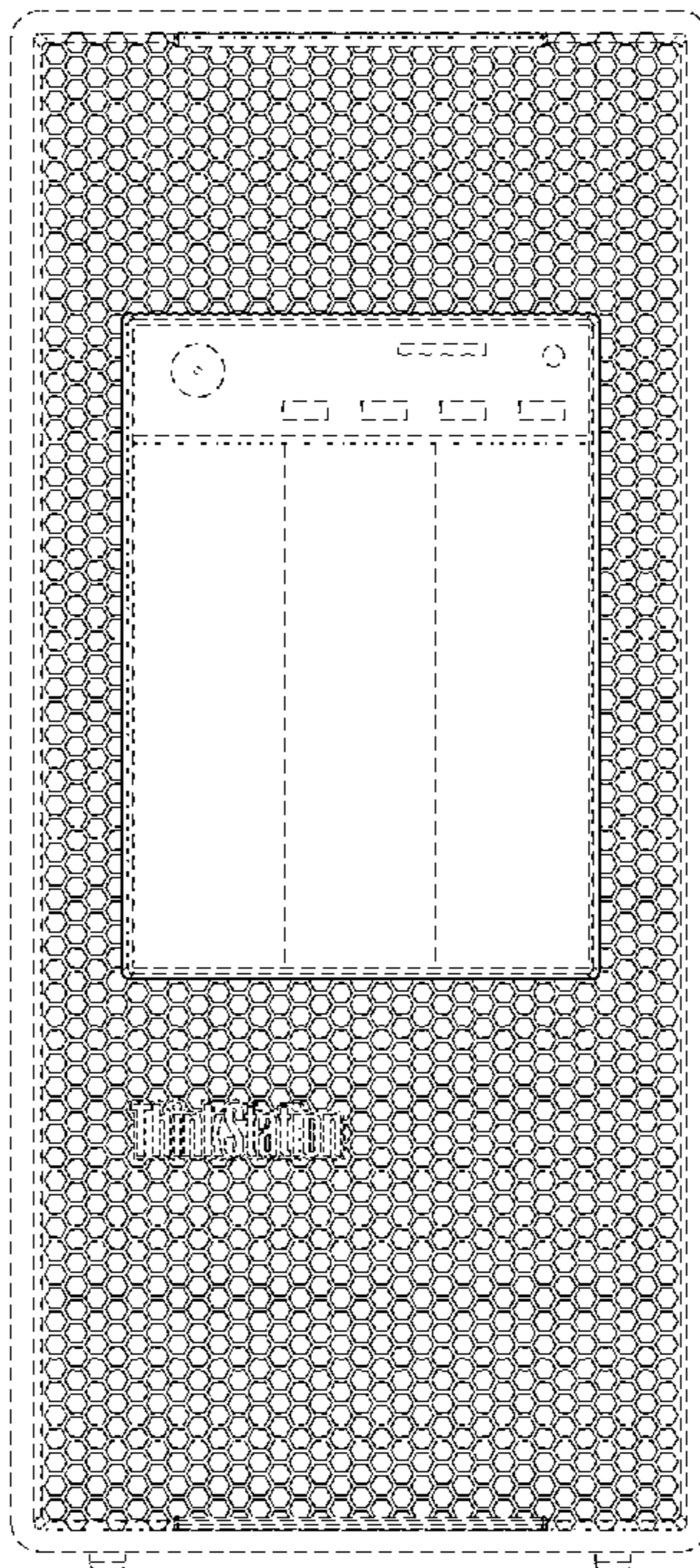
(57) **CLAIM**

The ornamental design for a server unit, as shown and described.

DESCRIPTION

FIG. 1 is a front view of a server unit showing our design; FIG. 2 is a perspective view thereof; and, FIG. 3 is a perspective view of another server unit showing our design. The broken lines in the drawings illustrate portions of the server unit or environment and form no part of the claimed design.

1 Claim, 3 Drawing Sheets



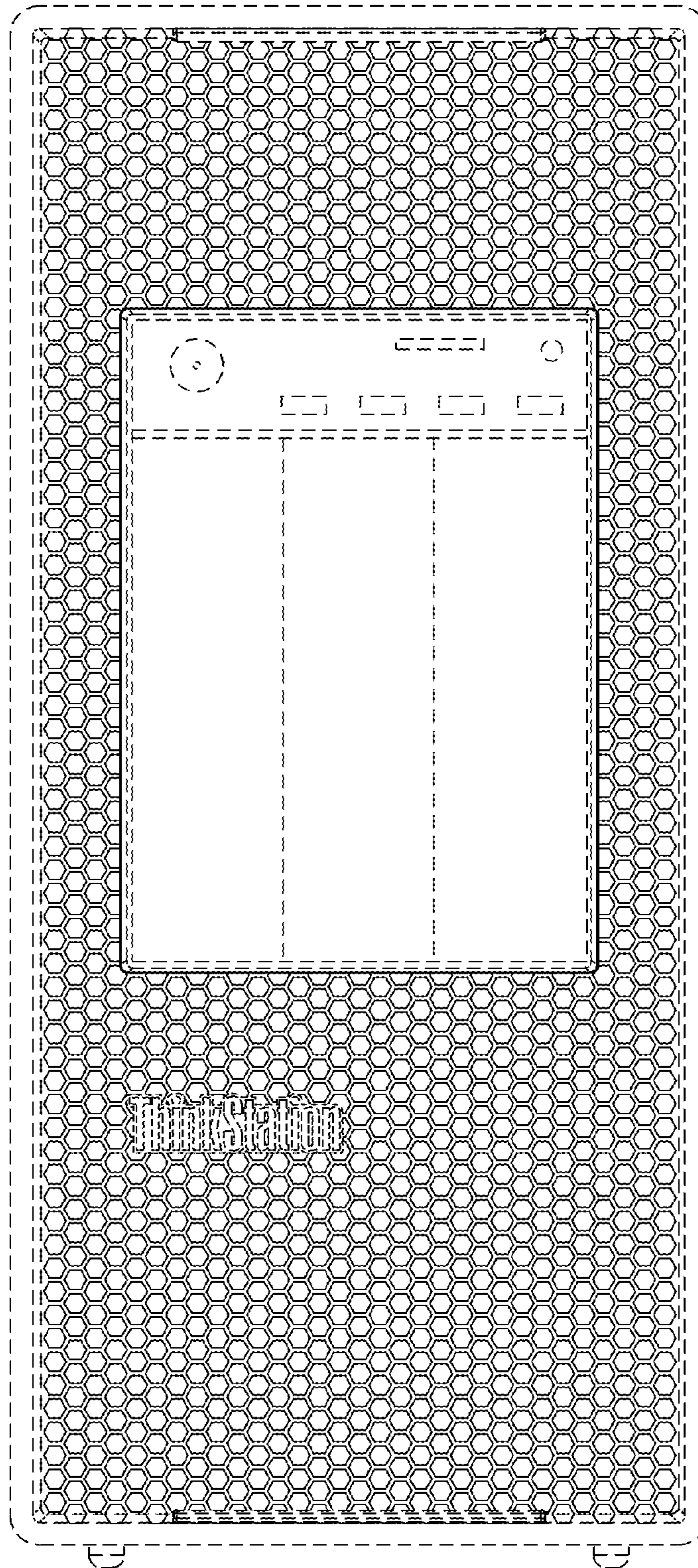


FIG. 1

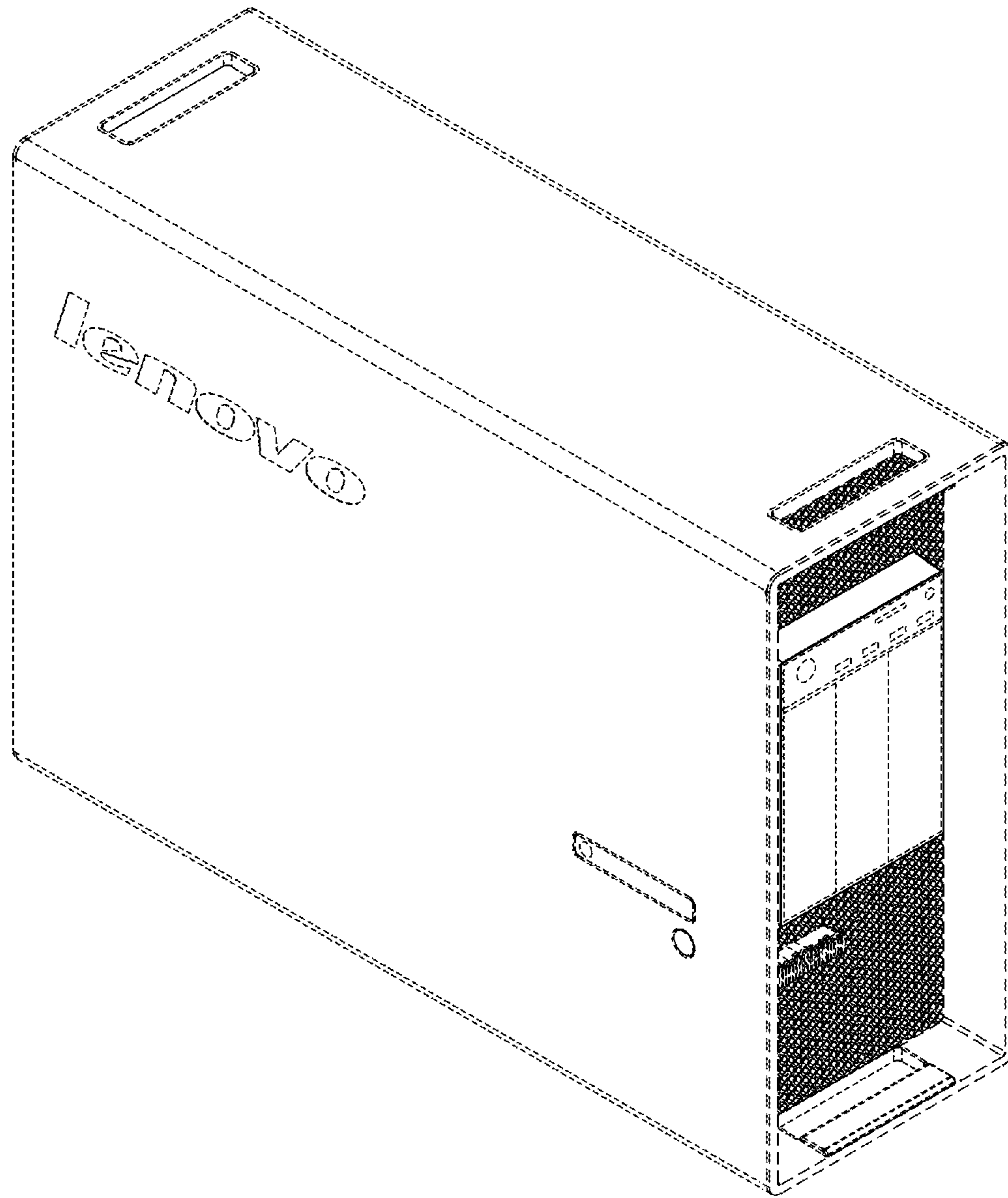


FIG. 2

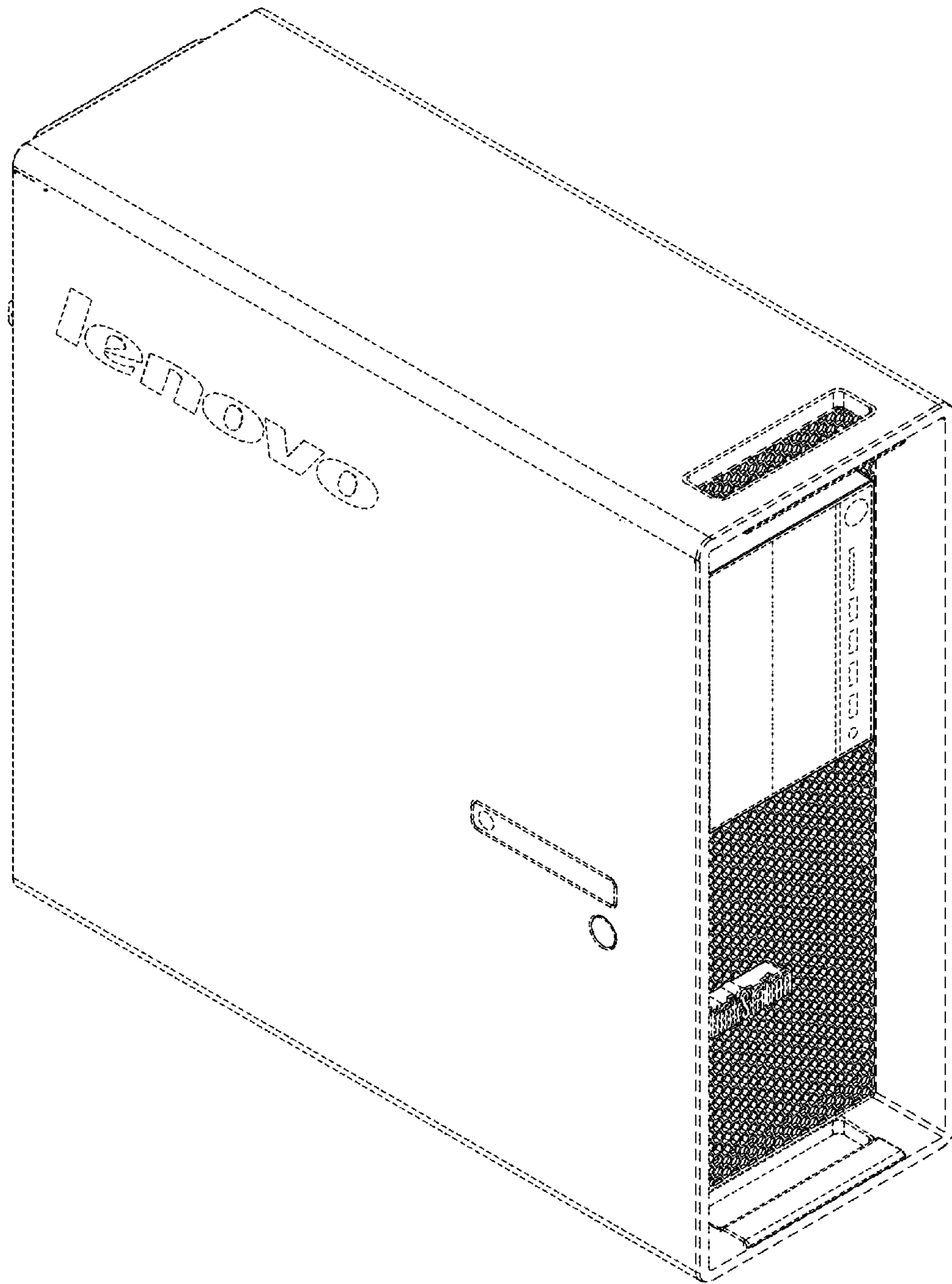


FIG. 3