



US00D748615S

(12) **United States Design Patent**
Lee et al.

(10) **Patent No.:** **US D748,615 S**
(45) **Date of Patent:** **** Feb. 2, 2016**

(54) **MOBILE DEVICE HOLDER**

FOREIGN PATENT DOCUMENTS

(71) Applicant: **iOttie, Inc.**, Hackensack, NJ (US)

EM 002199992-0004 * 3/2013

(72) Inventors: **Kyu Seop Lee**, Basking Ridge, NJ (US);
Phisitsuk Paul Sukphisit, Englewood,
NJ (US); **Joo Eun Lee**, Goochland, VA
(US)

* cited by examiner

Primary Examiner — Susan Bennett Hattan

Assistant Examiner — Leanne Was

(74) *Attorney, Agent, or Firm* — Lucas & Mercanti, LLP

(73) Assignee: **IOTTIE, INC.**, New York, NY (US)

(**) Term: **14 Years**

(57) **CLAIM**

The ornamental design for a mobile device holder, as shown and described.

(21) Appl. No.: **29/474,522**

(22) Filed: **Oct. 16, 2014**

(51) **LOC (10) Cl.** **14-03**

(52) **U.S. Cl.**

USPC **D14/251**

(58) **Field of Classification Search**

USPC D8/300, 301, 310; D14/204, 209.1,
D14/217, 238.1, 240, 251, 252, 256, 432,
D14/433, 447, 457; D16/242, 245; 81/157;
292/348, 350

See application file for complete search history.

(56) **References Cited**

U.S. PATENT DOCUMENTS

D542,115 S * 5/2007 Hanna D8/310
D563,758 S * 3/2008 Oliver D8/310
D631,037 S * 1/2011 Park D14/223
D727,385 S * 4/2015 O'Neill D16/134

DESCRIPTION

FIG. 1 is a front isometric view of a mobile device holder showing our new design;

FIG. 2 is a rear isometric view thereof;

FIG. 3 is a front side view thereof;

FIG. 4 is a rear side view thereof;

FIG. 5 is a top side view thereof;

FIG. 6 is a bottom side view thereof; and,

FIG. 7 is a right side view thereof, the left side being a mirror image.

The broken lines immediately adjacent to the shaded area represent unclaimed boundaries of the design. All other broken lines in the figures depict portions of the mobile device holder that form no part of the claimed design.

1 Claim, 7 Drawing Sheets

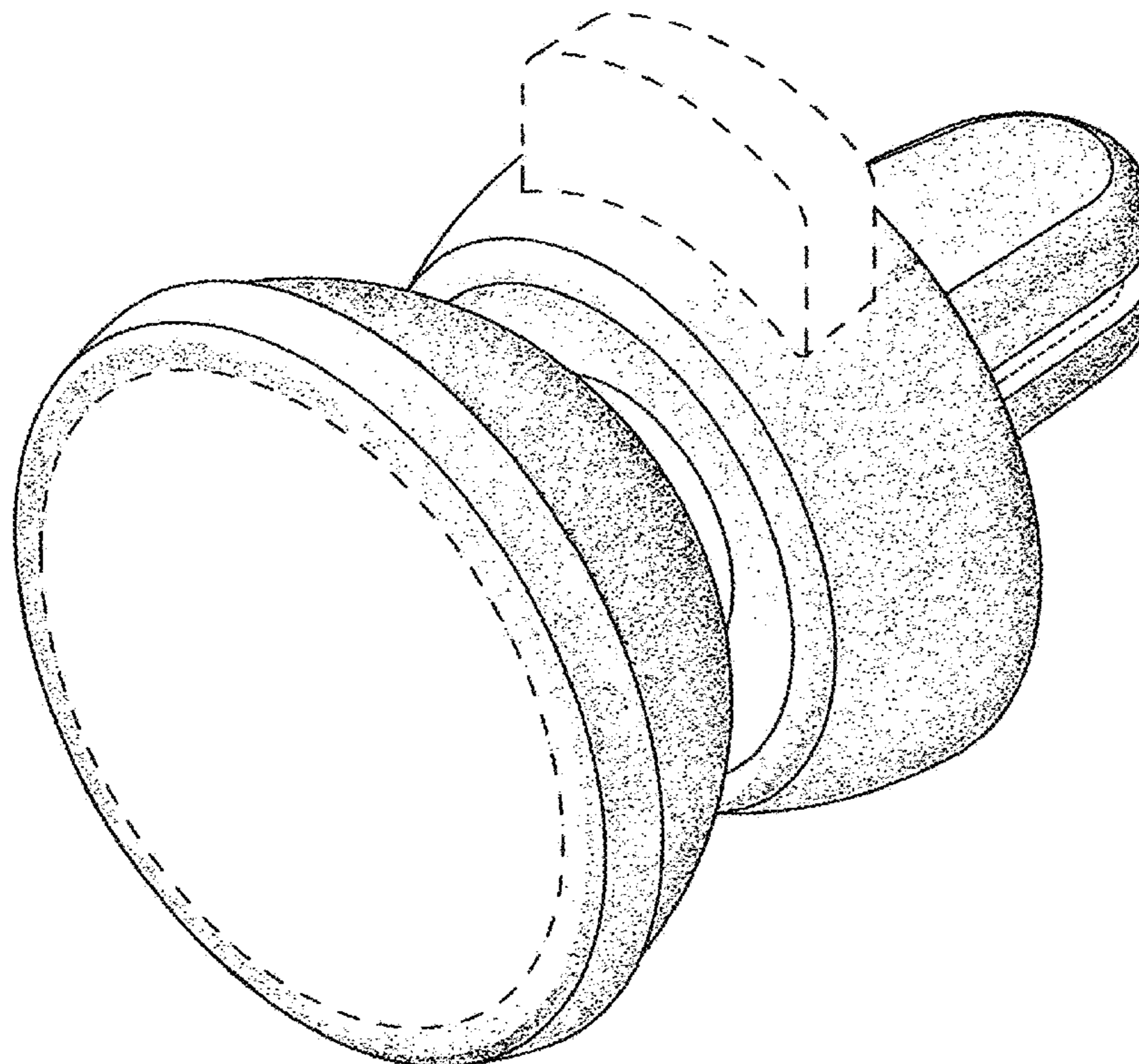


Fig. 1

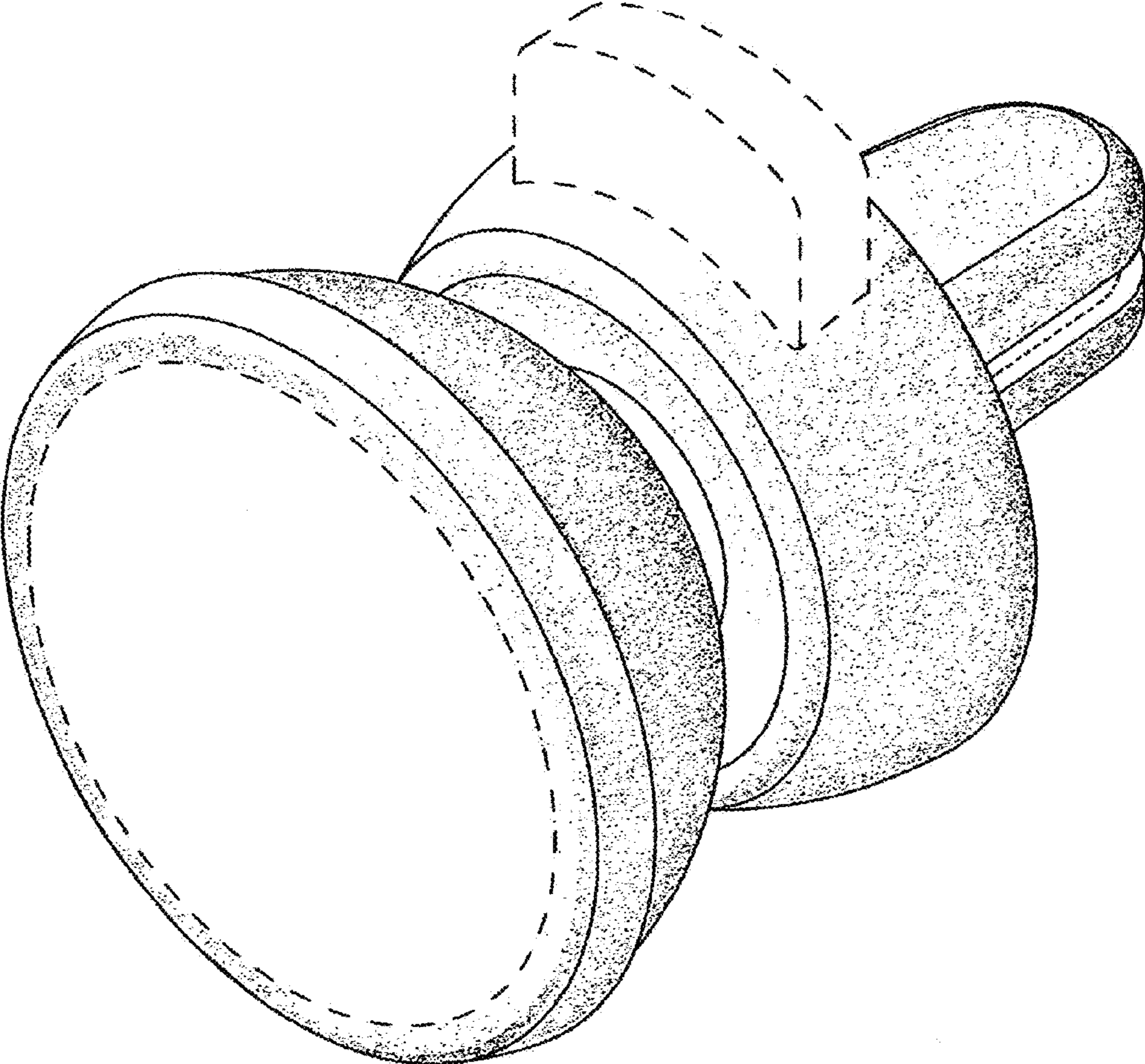


Fig. 2

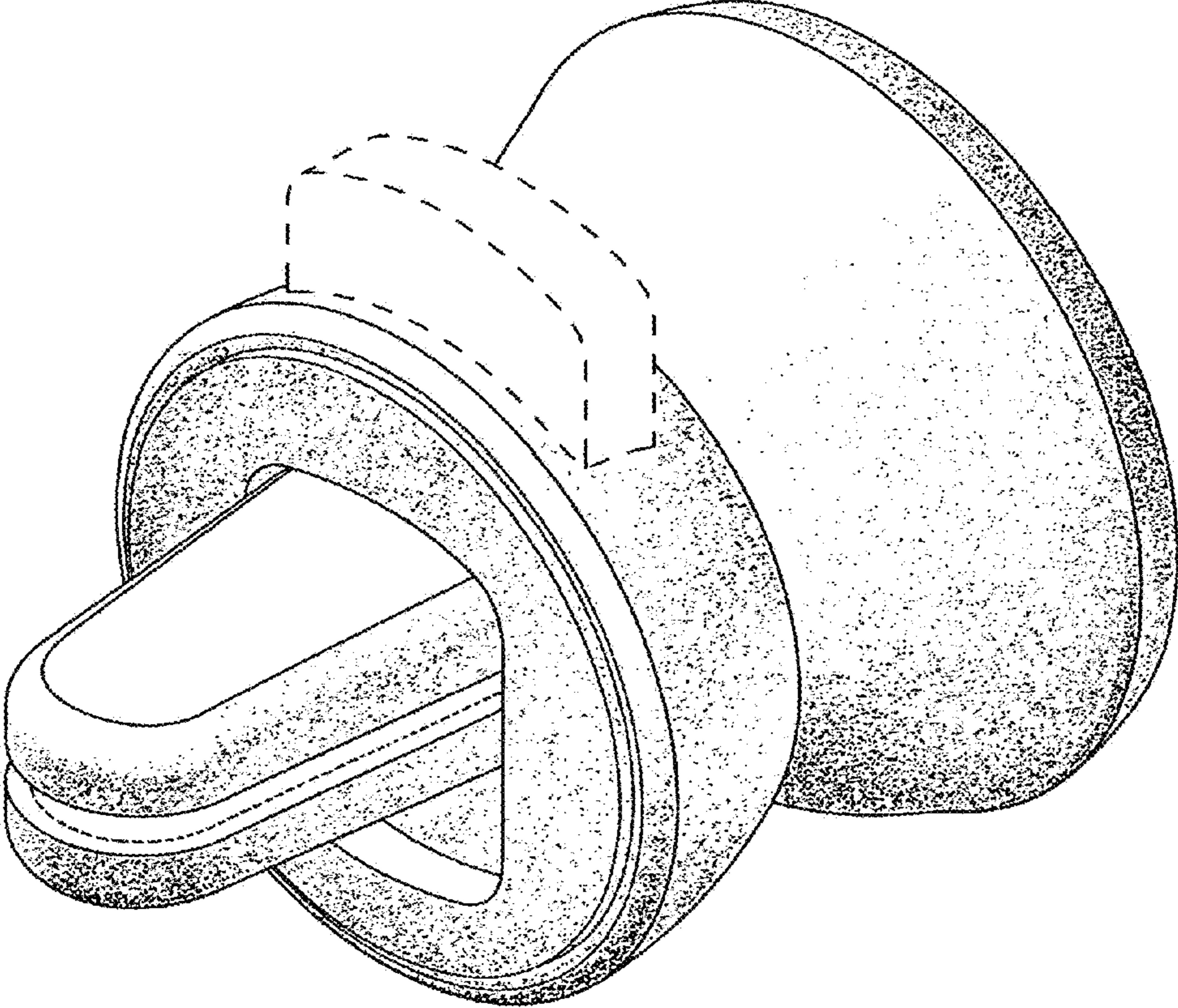


Fig. 3

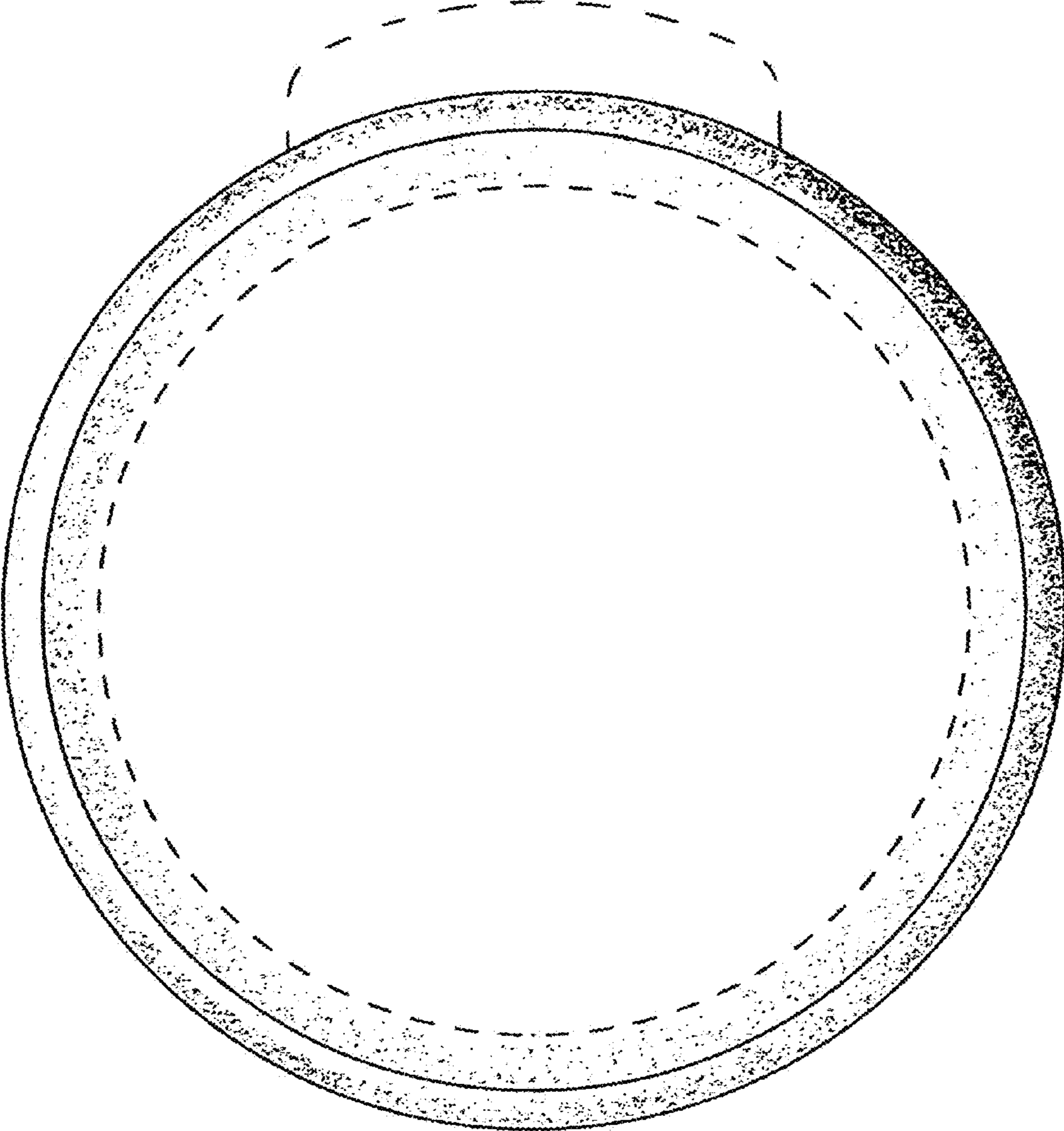


Fig. 4

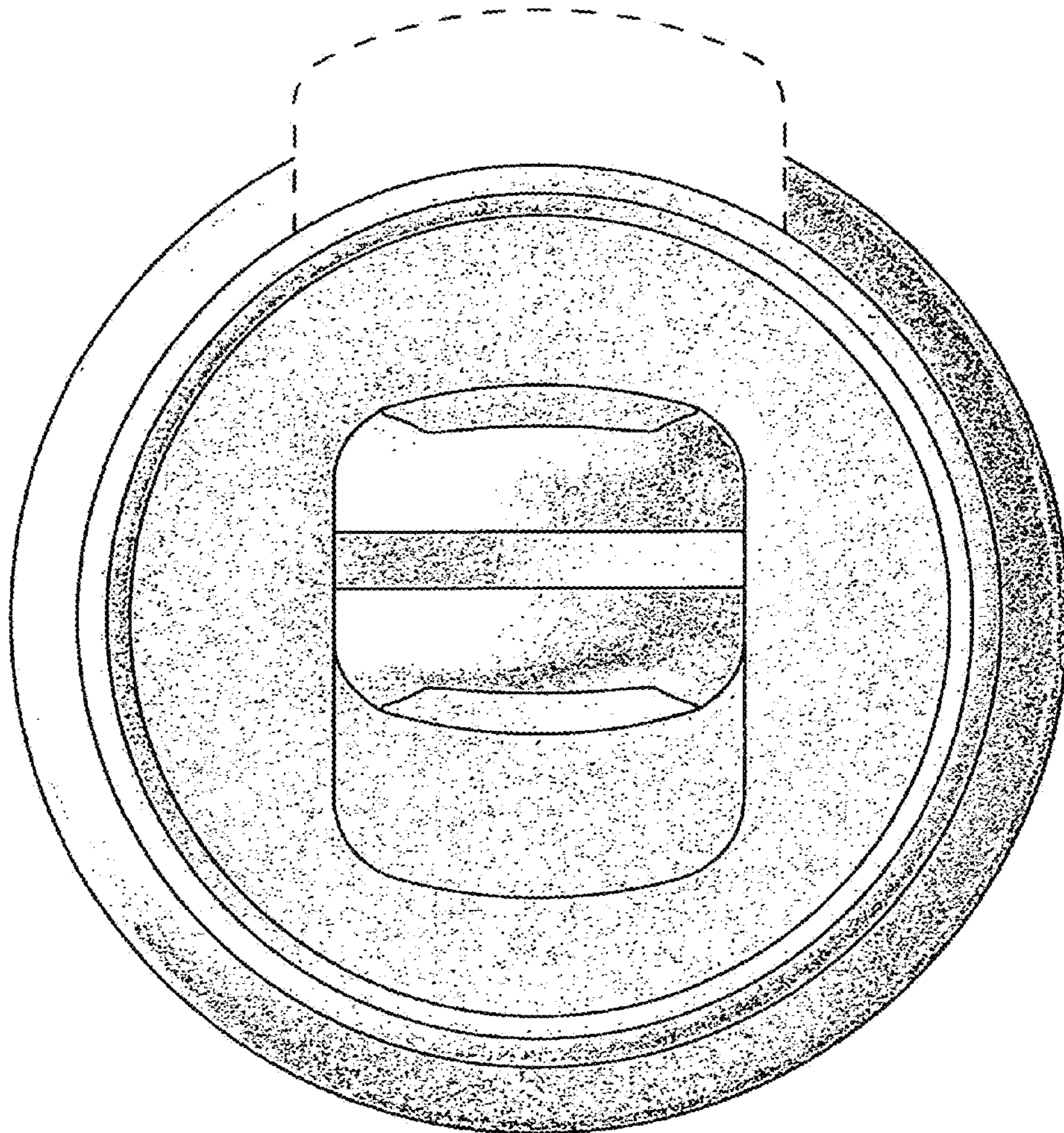


Fig. 5

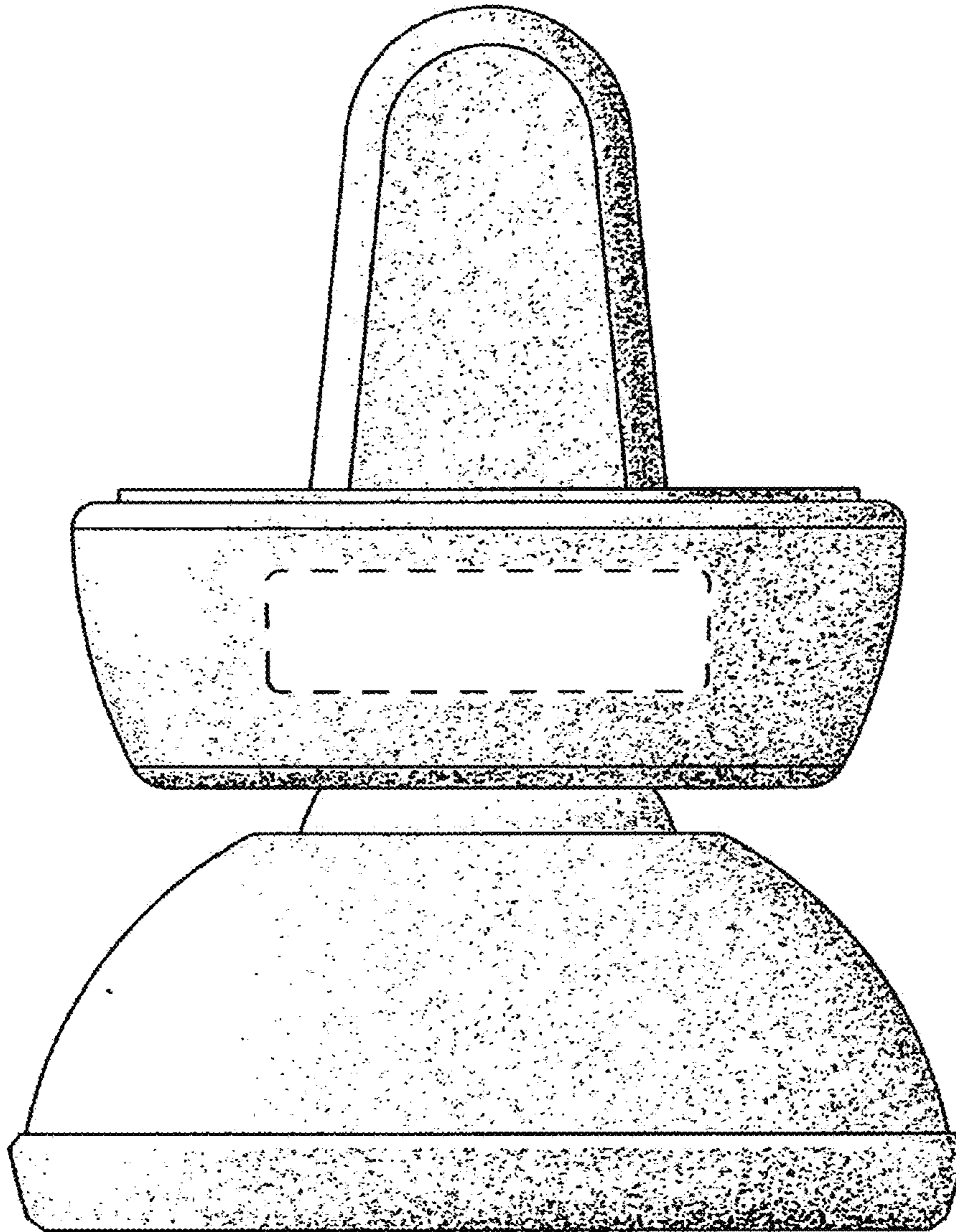


Fig. 6

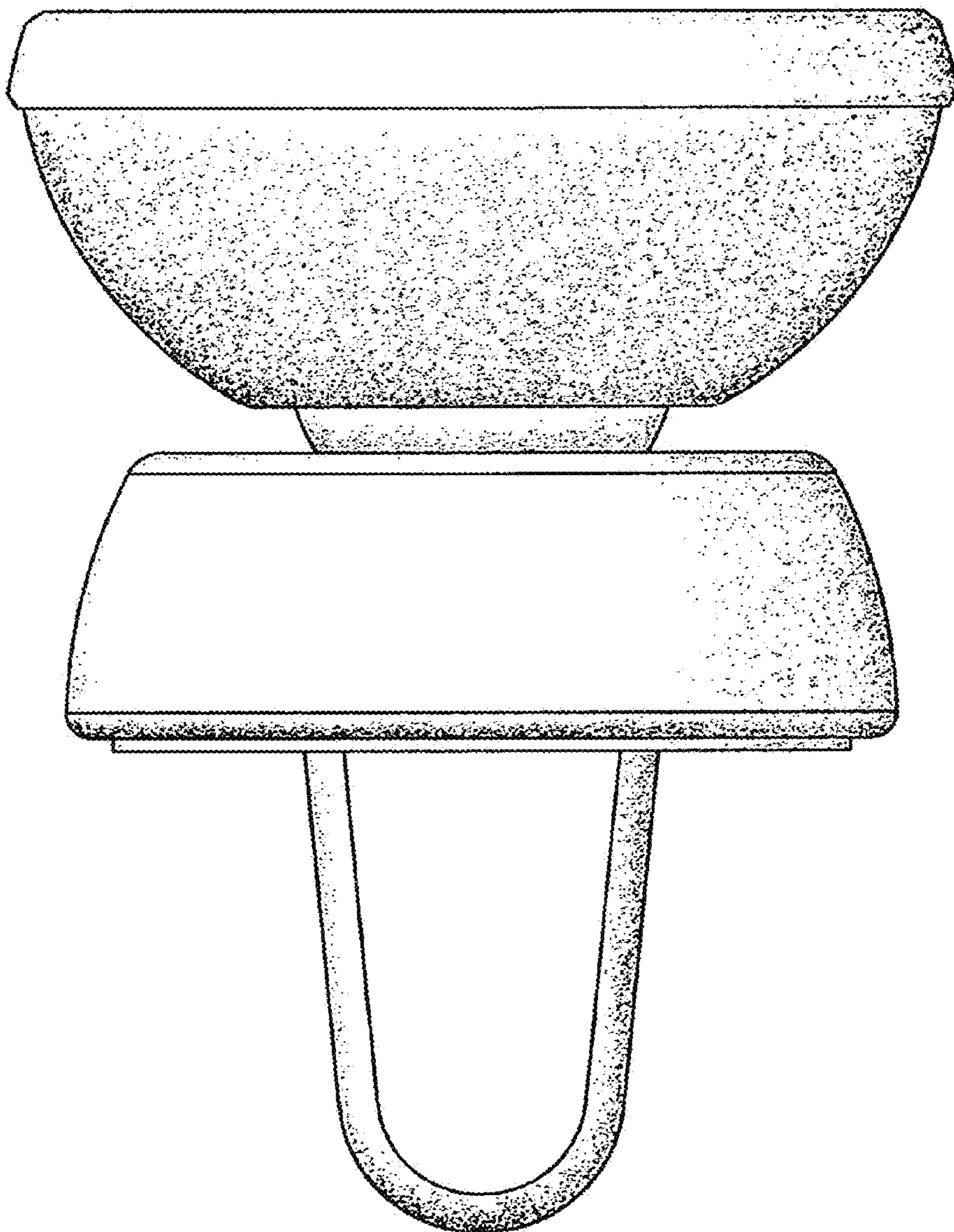


Fig. 7

