



US00D748610S

(12) **United States Design Patent**
Smith et al.

(10) **Patent No.:** **US D748,610 S**
(45) **Date of Patent:** **** Feb. 2, 2016**

(54) **MICROPHONE**

(71) Applicant: **Shure Acquisition Holdings, Inc.**,
Niles, IL (US)

(72) Inventors: **Dustin Jonathan Smith**, Chicago, IL
(US); **Stuart P. Bauman**, Skokie, IL
(US); **John Matthew Miller**, Grayslake,
IL (US); **Michael Chad Wiggins**,
Gilberts, IL (US)

(73) Assignee: **Shure Acquisition Holdings, Inc.**,
Niles, IL (US)

(**) Term: **14 Years**

(21) Appl. No.: **29/511,303**

(22) Filed: **Dec. 9, 2014**

(51) **LOC (10) Cl.** **14-01**

(52) **U.S. Cl.**
USPC **D14/225**

(58) **Field of Classification Search**
USPC D14/154, 155, 158, 159, 195, 196, 204,
D14/206, 214, 217, 218, 225-229, 496,
D14/497; D17/99; 84/462; 181/158, 242;
381/26, 91, 92, 95, 111, 122, 170, 174,
381/345, 354, 357, 365, 366, 369
See application file for complete search history.

(56) **References Cited**

U.S. PATENT DOCUMENTS

D218,315 S *	8/1970	Rusch	D14/228
D295,759 S *	5/1988	Kolich	D14/226
D296,099 S *	6/1988	Kubota	D14/227
D296,100 S *	6/1988	Kubota	D14/228
D296,435 S *	6/1988	Kubota	D14/228
4,811,405 A *	3/1989	Peiker	H04R 1/08 381/365
5,357,577 A *	10/1994	Waji et al.	H04R 1/04 361/704

D478,068 S *	8/2003	Sundquist	D14/228
D479,837 S *	9/2003	Sundquist	D14/228
D594,856 S *	6/2009	Marshall	D14/228
D719,140 S *	12/2014	Sanhui	D14/225

FOREIGN PATENT DOCUMENTS

KR 300535423.0000 * 7/2009

OTHER PUBLICATIONS

<http://www.altoedge.com/microphones/usb-microphone-at2020.html> Available Jul. 4, 2014.*

* cited by examiner

Primary Examiner — Susan Bennett Hattan

Assistant Examiner — Leanne Was

(74) *Attorney, Agent, or Firm* — William J. Lenz, Esq.; Neal,
Gerber & Eisenberg LLP

(57) **CLAIM**

The ornamental design for a microphone, as shown and described in the accompanying drawings.

DESCRIPTION

FIG. 1 is a perspective view of a microphone in accordance with the invention;
FIG. 2 is a front view of the microphone depicted in FIG. 1, the back view being a mirror image thereof;
FIG. 3 is a left side view of the microphone depicted in FIG. 1;
FIG. 4 is a right side view of the microphone depicted in FIG. 1;
FIG. 5 is a top view of the microphone depicted in FIG. 1;
FIG. 6 is a bottom view of the microphone depicted in FIG. 1; and,
FIG. 7 is a perspective view of the microphone depicted in FIG. 1 in an alternate position.
The broken lines depict environment and portions of the microphone that form no part of the claimed design.

1 Claim, 2 Drawing Sheets

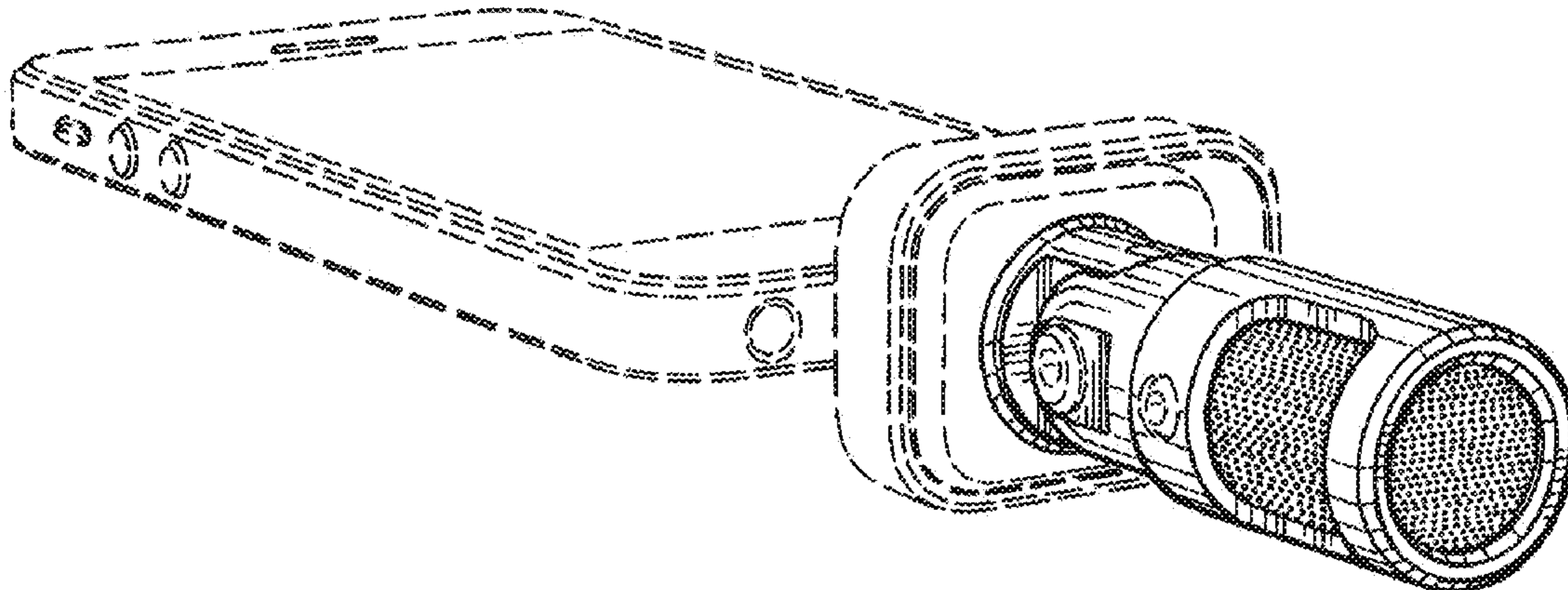


FIG. 1

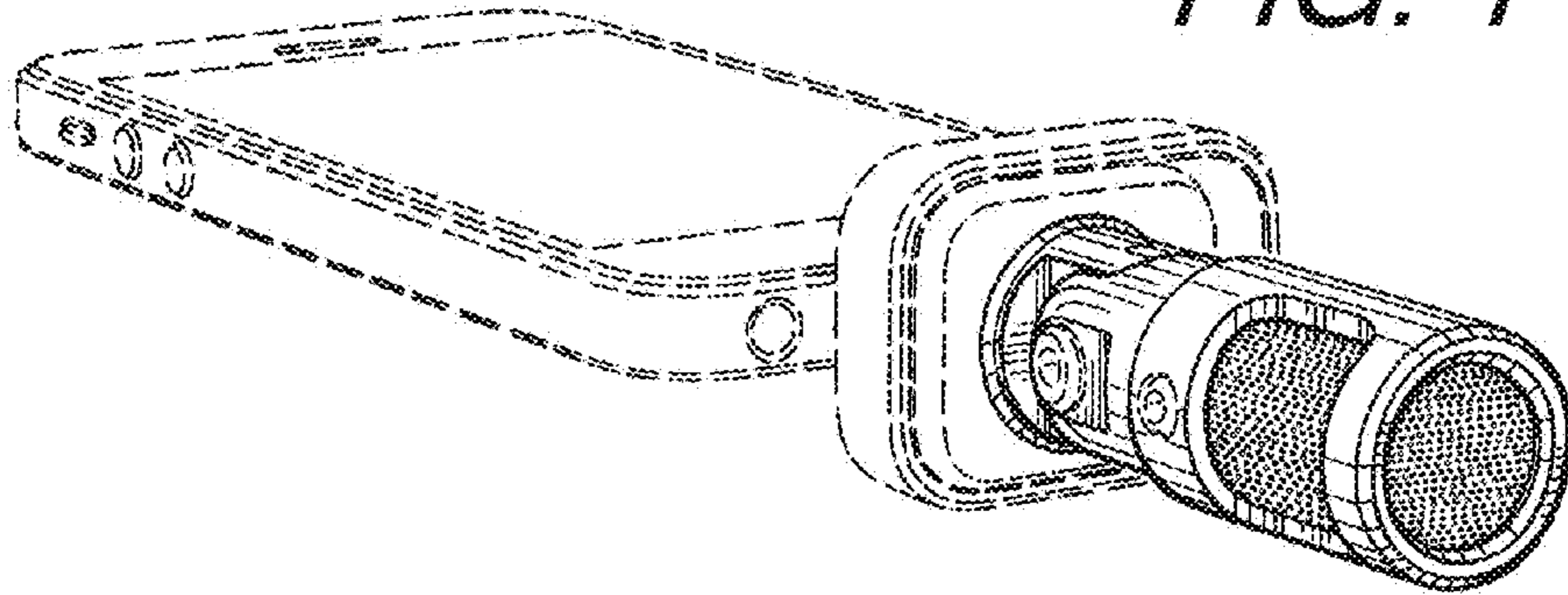


FIG. 2

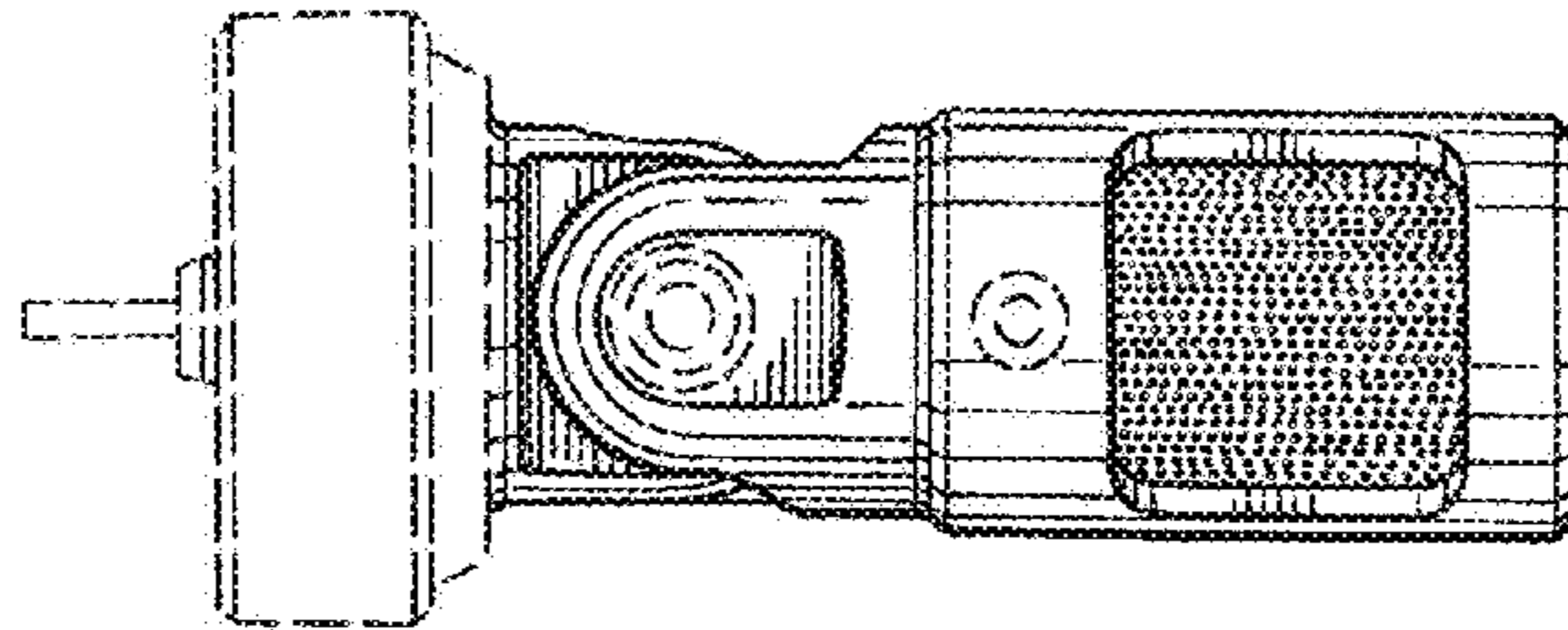


FIG. 3

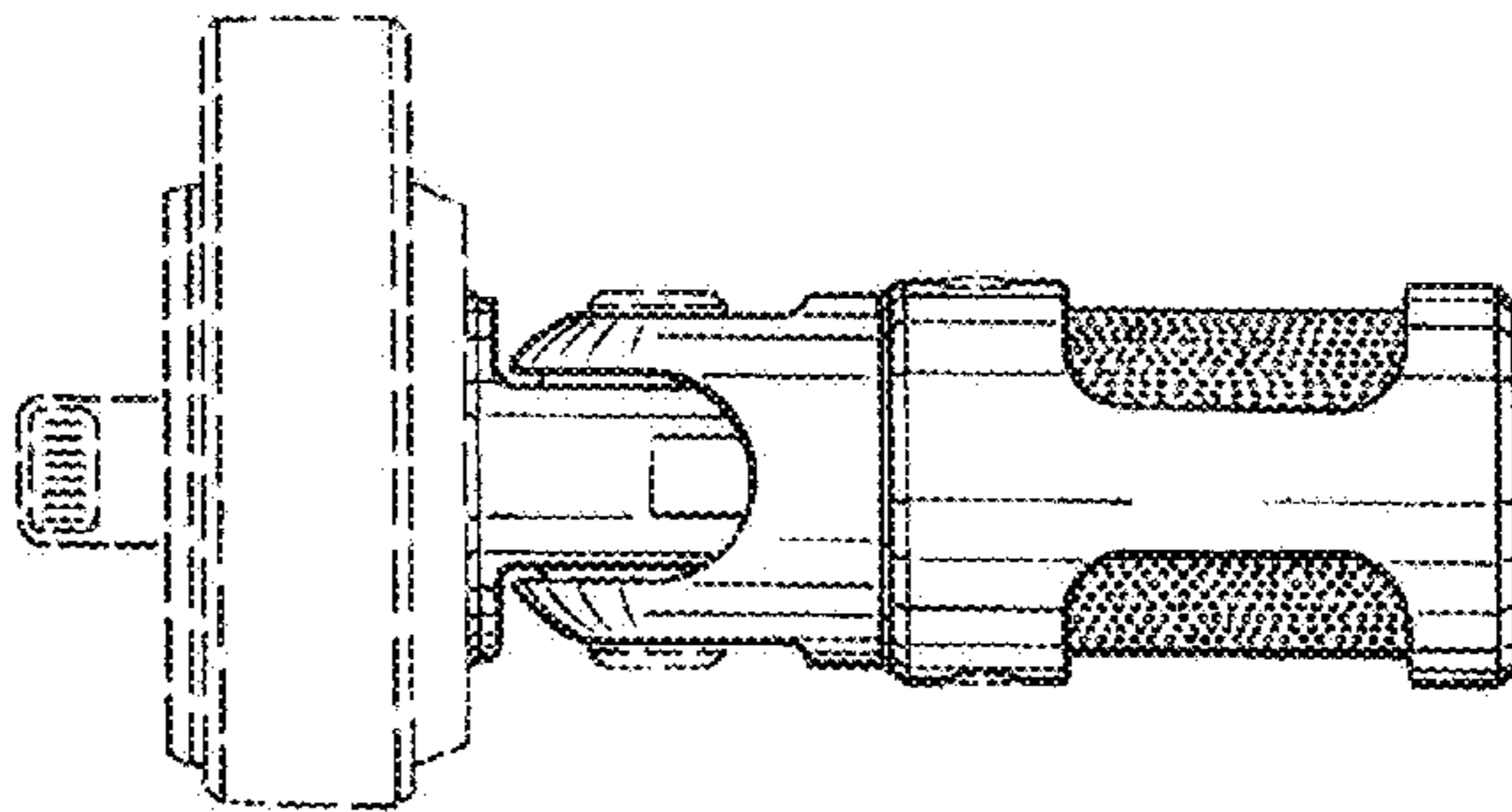


FIG. 4

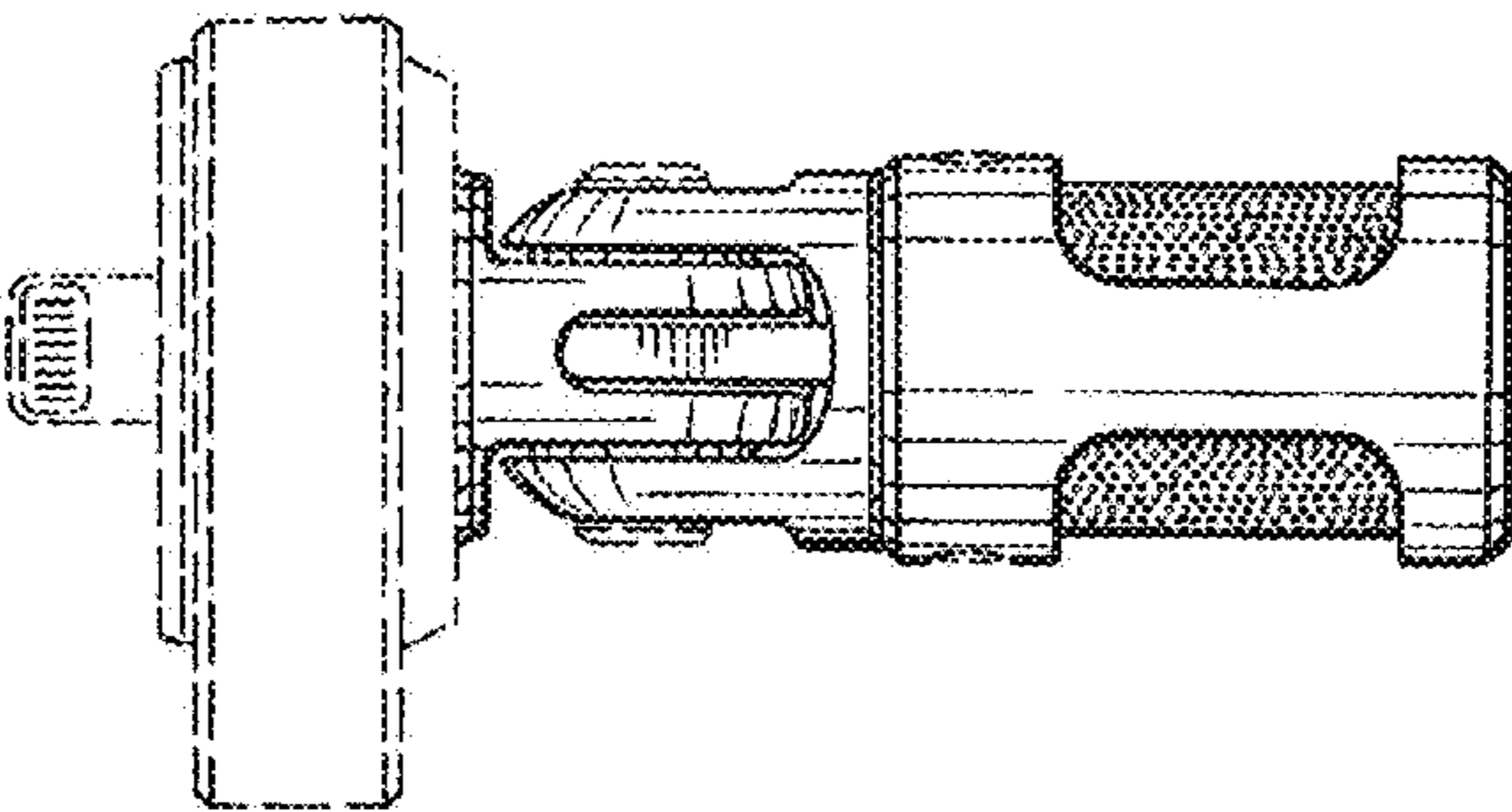


FIG. 5

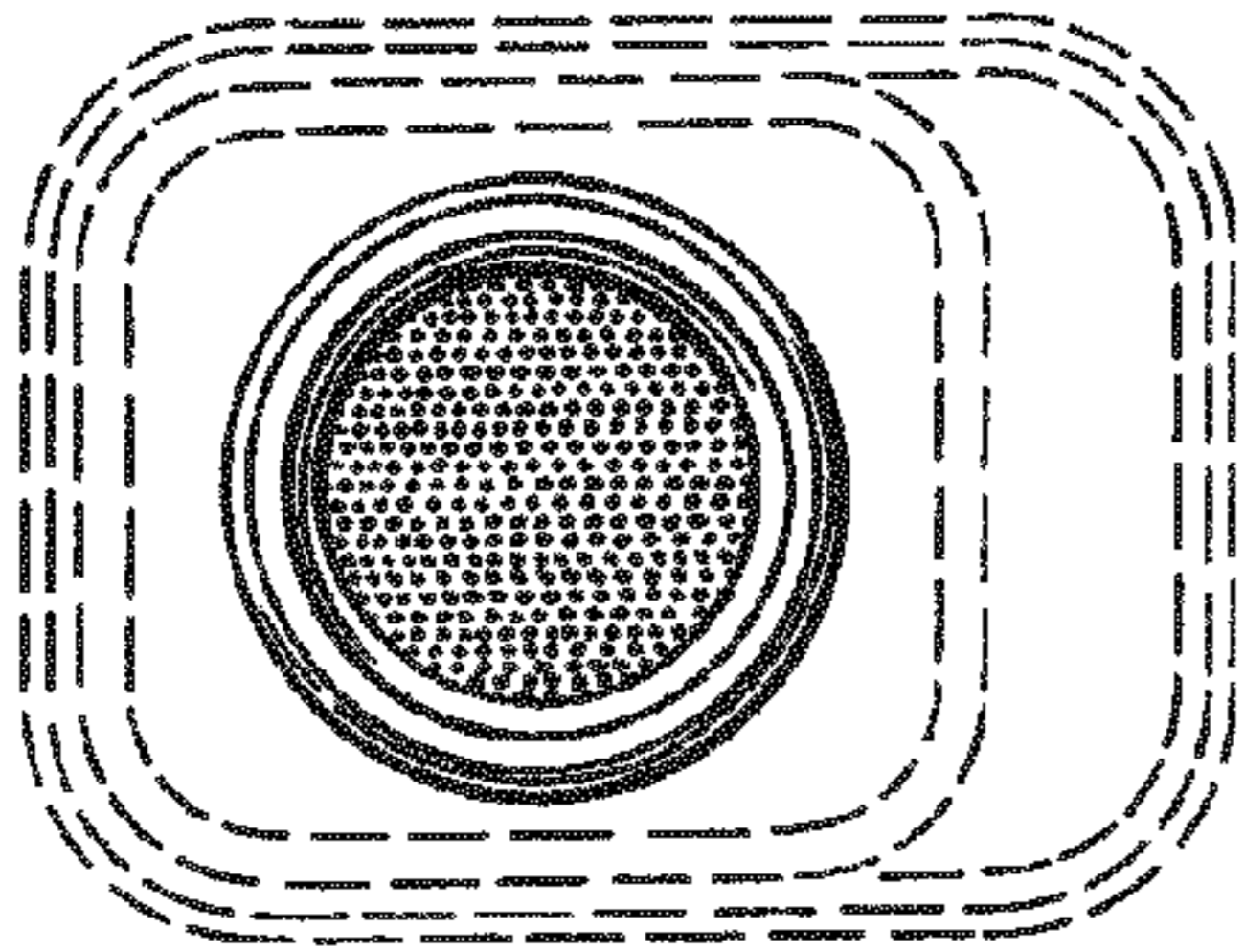


FIG. 6

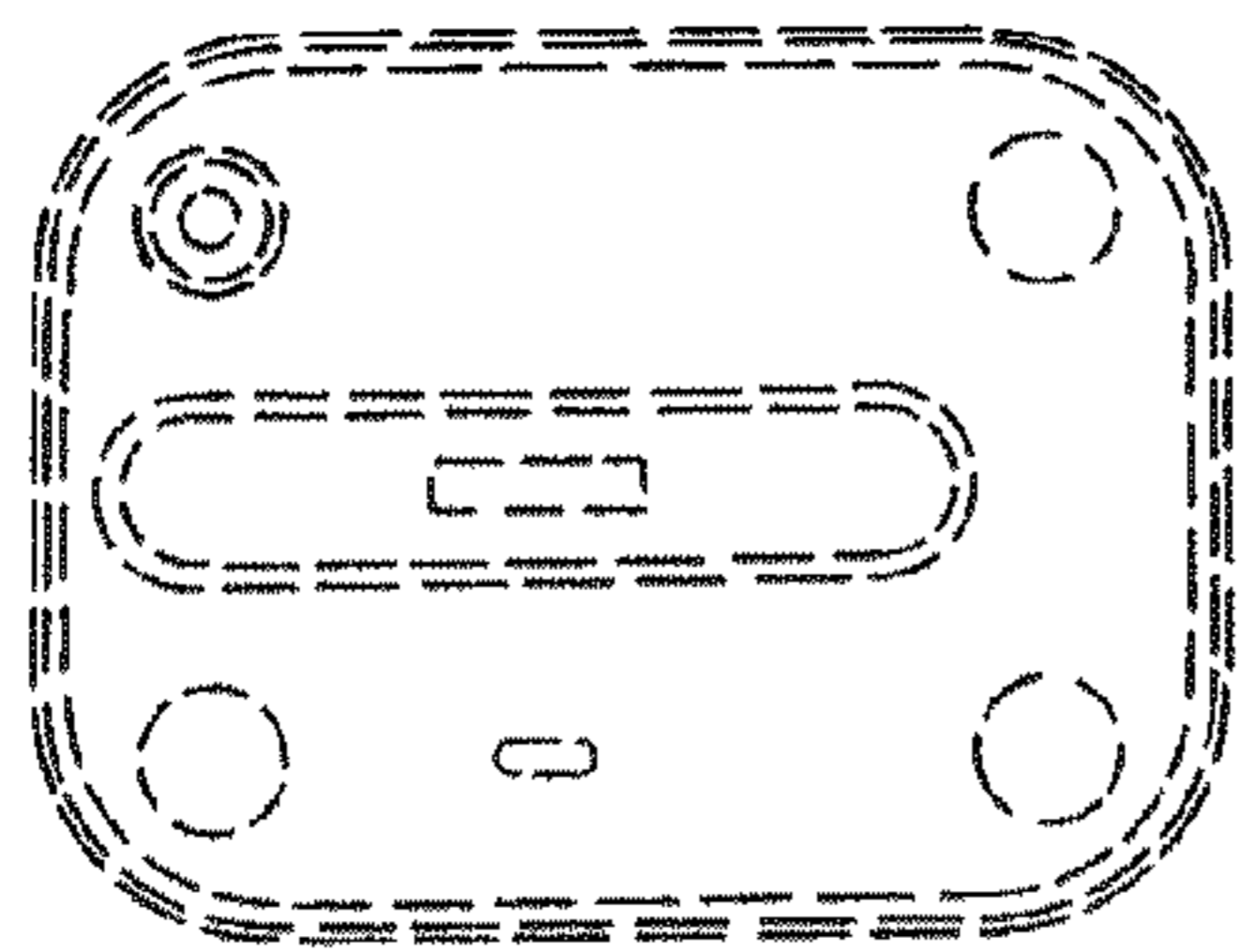


FIG. 7

