



US00D748609S

(12) **United States Design Patent**
Miller et al.

(10) **Patent No.:** **US D748,609 S**

(45) **Date of Patent:** **** Feb. 2, 2016**

- (54) **MICROPHONE**
- (71) Applicant: **Shure Acquisition Holdings, Inc.**,
Niles, IL (US)
- (72) Inventors: **John Matthew Miller**, Grayslake, IL
(US); **Thomas John Downs**, Western
Springs, IL (US); **Michael Chad**
Wiggins, Gilberts, IL (US)
- (73) Assignee: **Shure Acquisition Holdings, Inc.**,
Niles, IL (US)
- (**) Term: **14 Years**
- (21) Appl. No.: **29/511,301**
- (22) Filed: **Dec. 9, 2014**
- (51) **LOC (10) Cl.** **14-03**
- (52) **U.S. Cl.**
USPC **D14/225**
- (58) **Field of Classification Search**
USPC D14/139, 155, 157, 159, 203.8, 205,
D14/206, 209.1, 210, 211, 212, 214,
D14/223–229, 299; 181/158, 242; 381/91,
381/92, 122, 355, 356
See application file for complete search history.

- 4,057,124 A * 11/1977 Braden H04R 1/086
181/242
- D249,041 S * 8/1978 Culbertson D14/225
- 4,199,721 A * 4/1980 Ono H04B 1/3822
381/356
- D258,879 S * 4/1981 Eaton D14/225
- D264,335 S * 5/1982 Huntington D14/225
- D374,874 S * 10/1996 Lindeman D14/219
- 2015/0163588 A1 * 6/2015 Johansen H04R 1/326
381/92

* cited by examiner

Primary Examiner — Susan Bennett Hattan

Assistant Examiner — Leanne Was

(74) *Attorney, Agent, or Firm* — William J. Lenz, Esq.; Neal,
Gerber & Eisenberg LLP

(57) **CLAIM**

The ornamental design for a microphone, as shown and described in the accompanying drawings.

DESCRIPTION

FIG. 1 is a perspective view of a microphone in accordance with the invention;
FIG. 2 is a front view of the microphone depicted in FIG. 1;
FIG. 3 is a side view of the microphone depicted in FIG. 1;
FIG. 4 is a rear view of the microphone depicted in FIG. 1;
FIG. 5 is a top view of the microphone depicted in FIG. 1; and,
FIG. 6 is a rear view of the microphone depicted in FIG. 1.
The broken lines depict portions of the microphone that form no part of the claimed design.

(56) **References Cited**
U.S. PATENT DOCUMENTS

- D186,603 S * 11/1959 Jahn D14/227
- D234,957 S * 4/1975 Huntington et al. D14/225

1 Claim, 2 Drawing Sheets

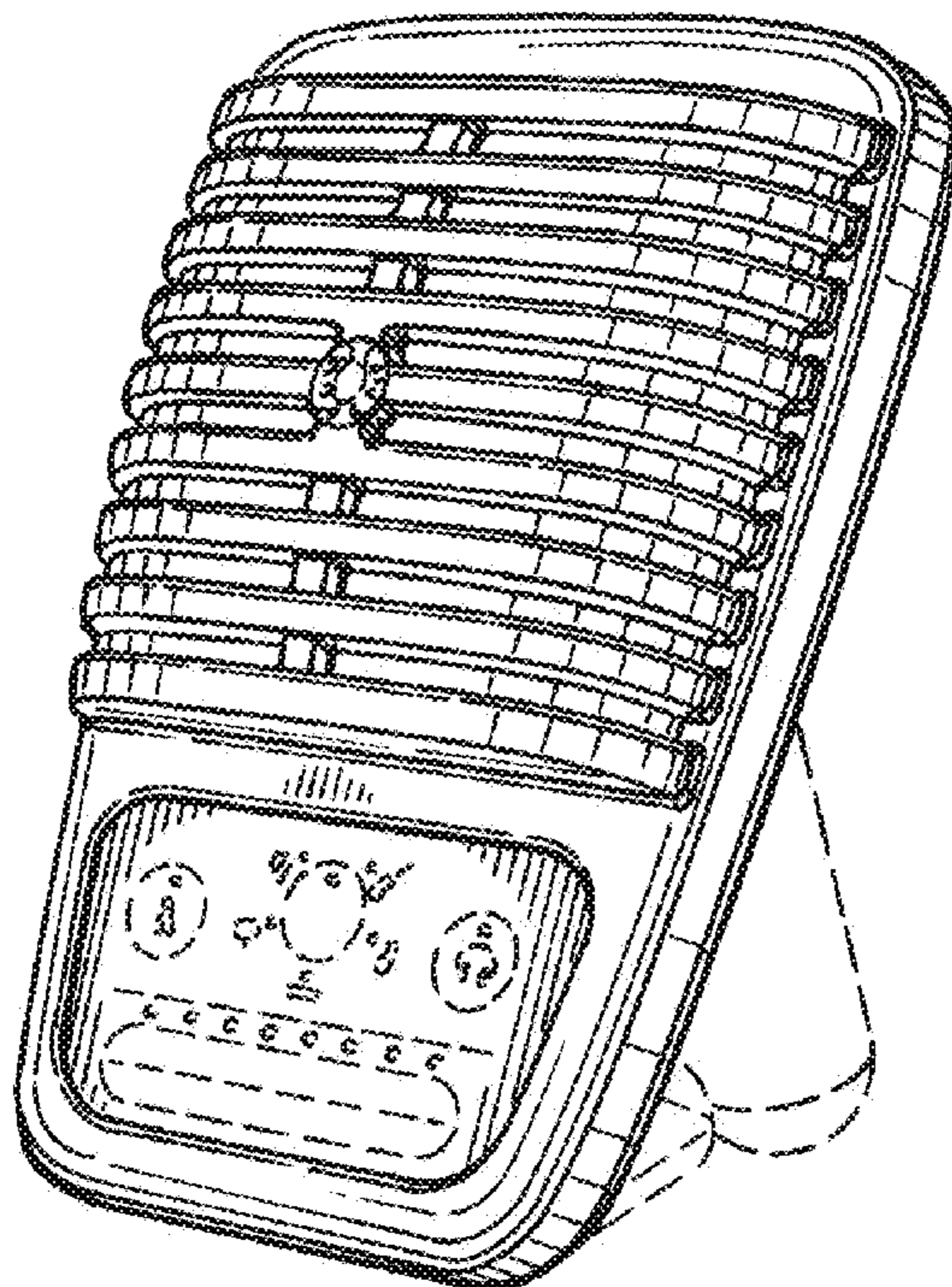


FIG. 1

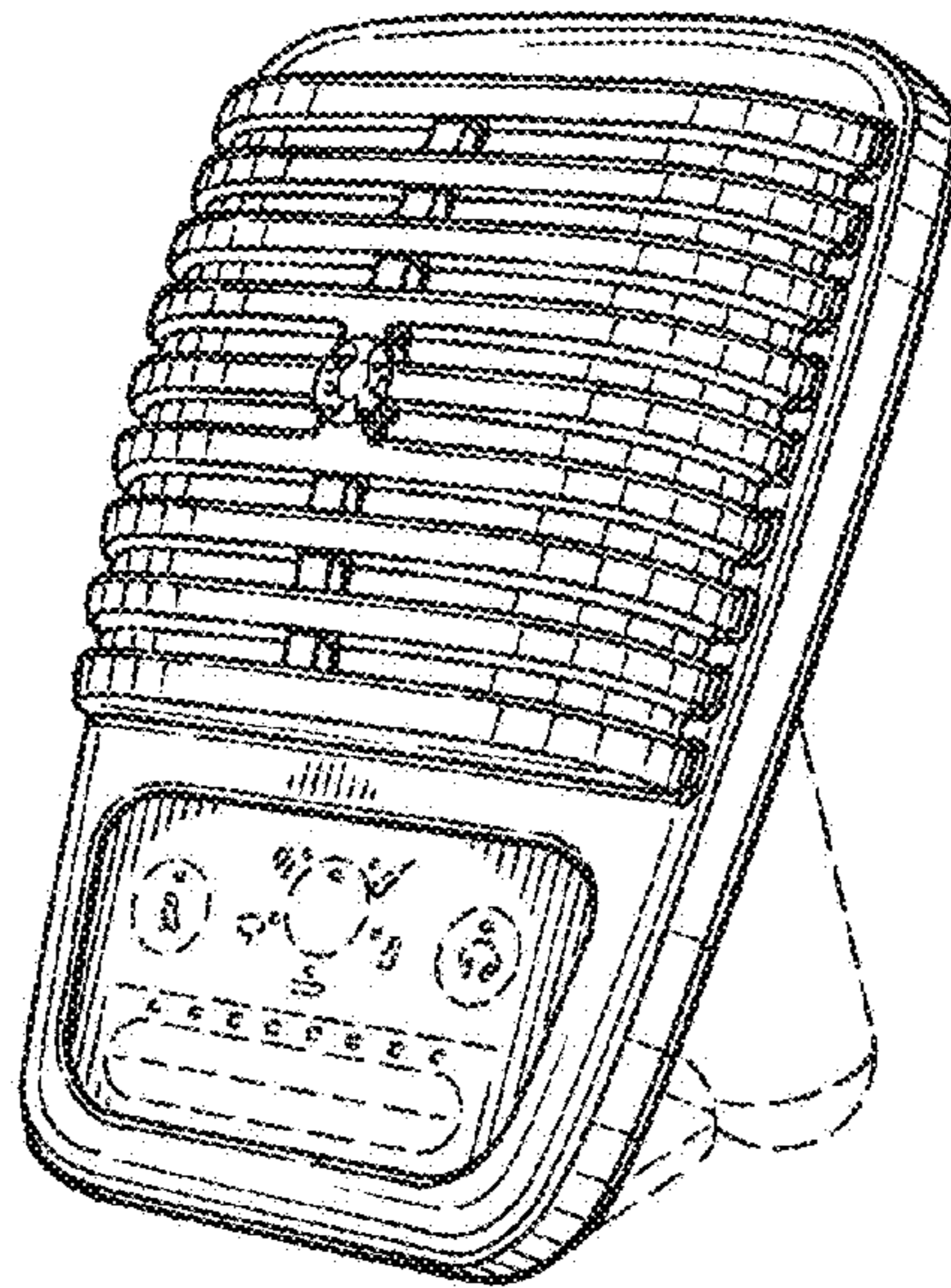


FIG. 2

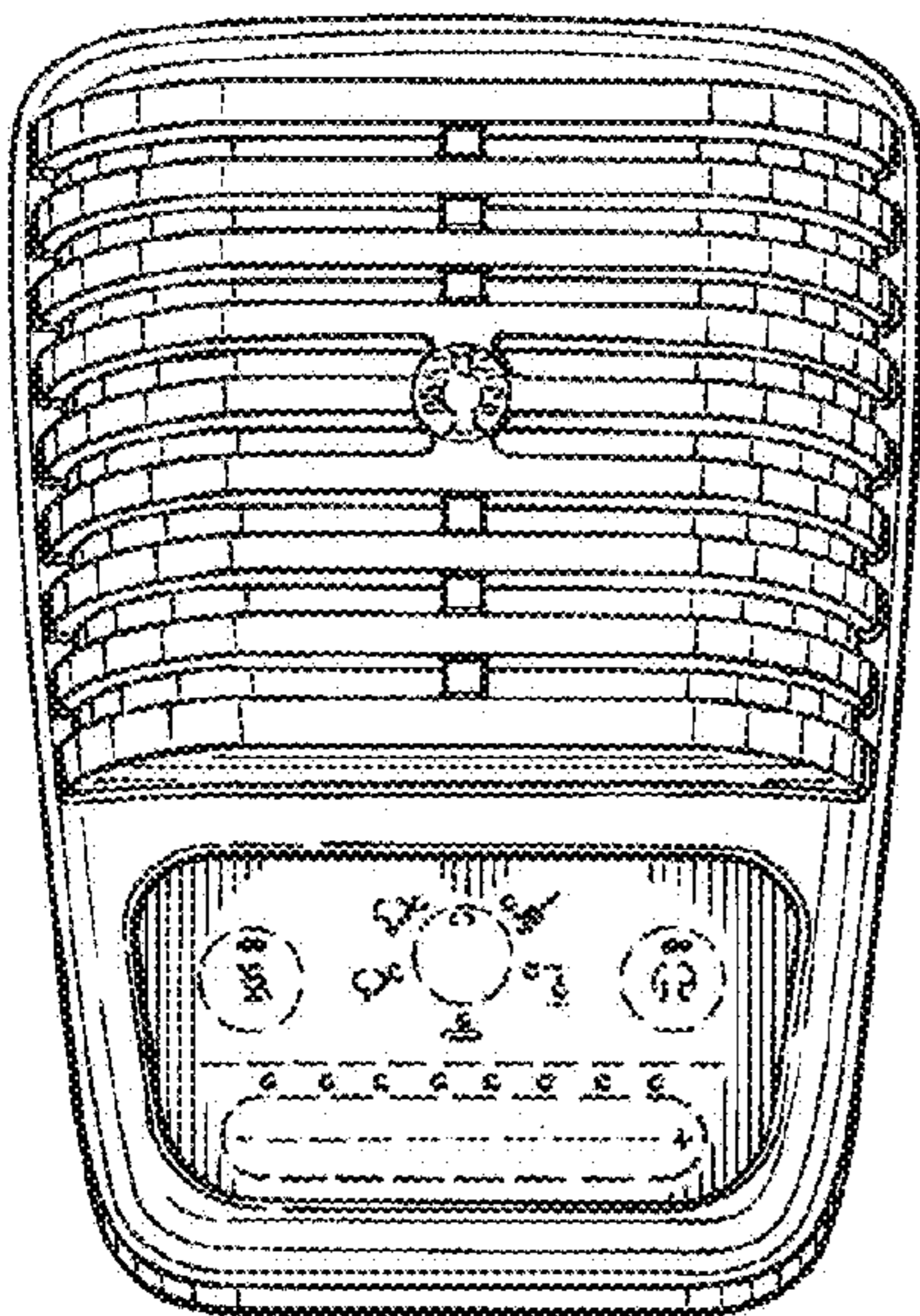


FIG. 3

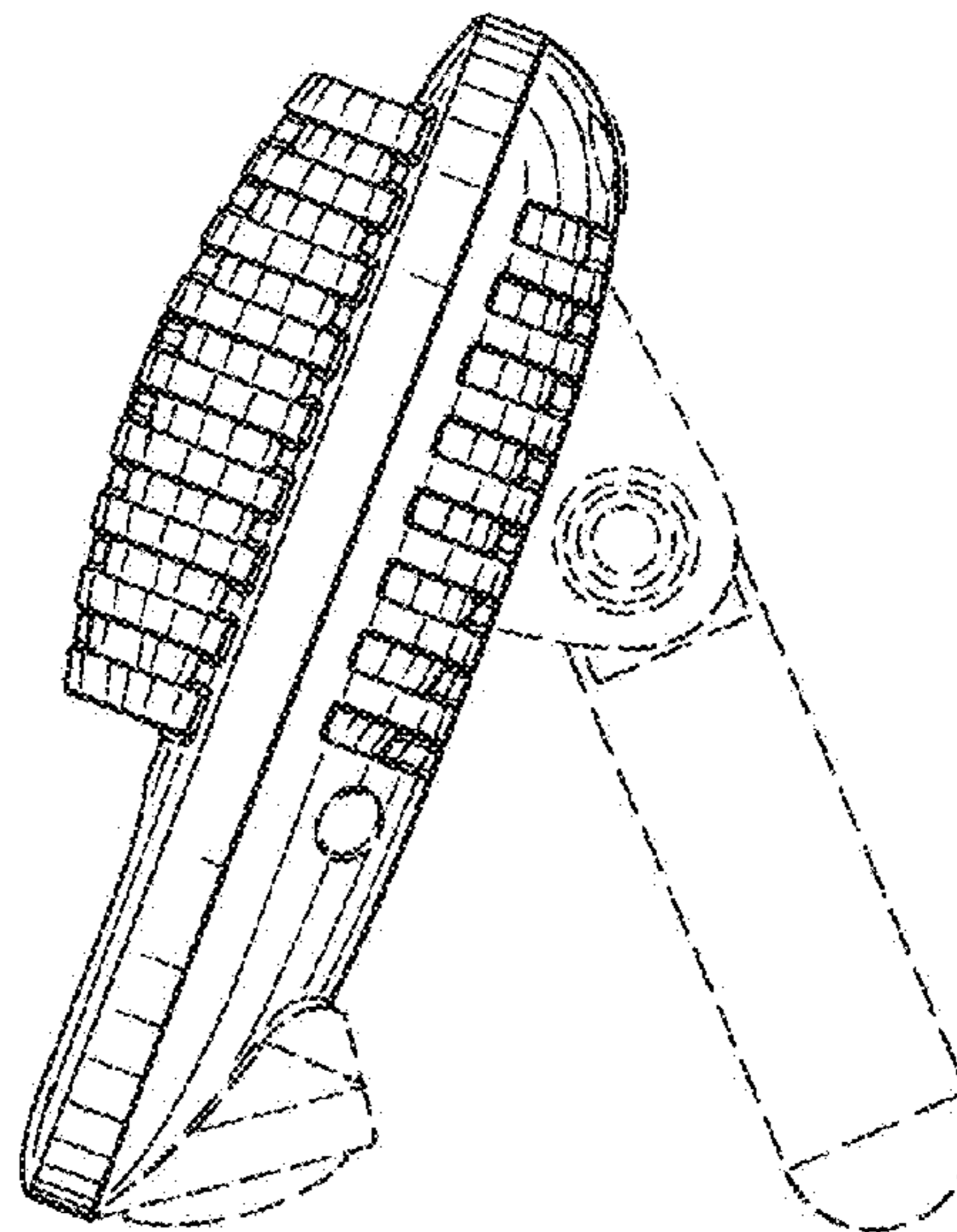


FIG. 4

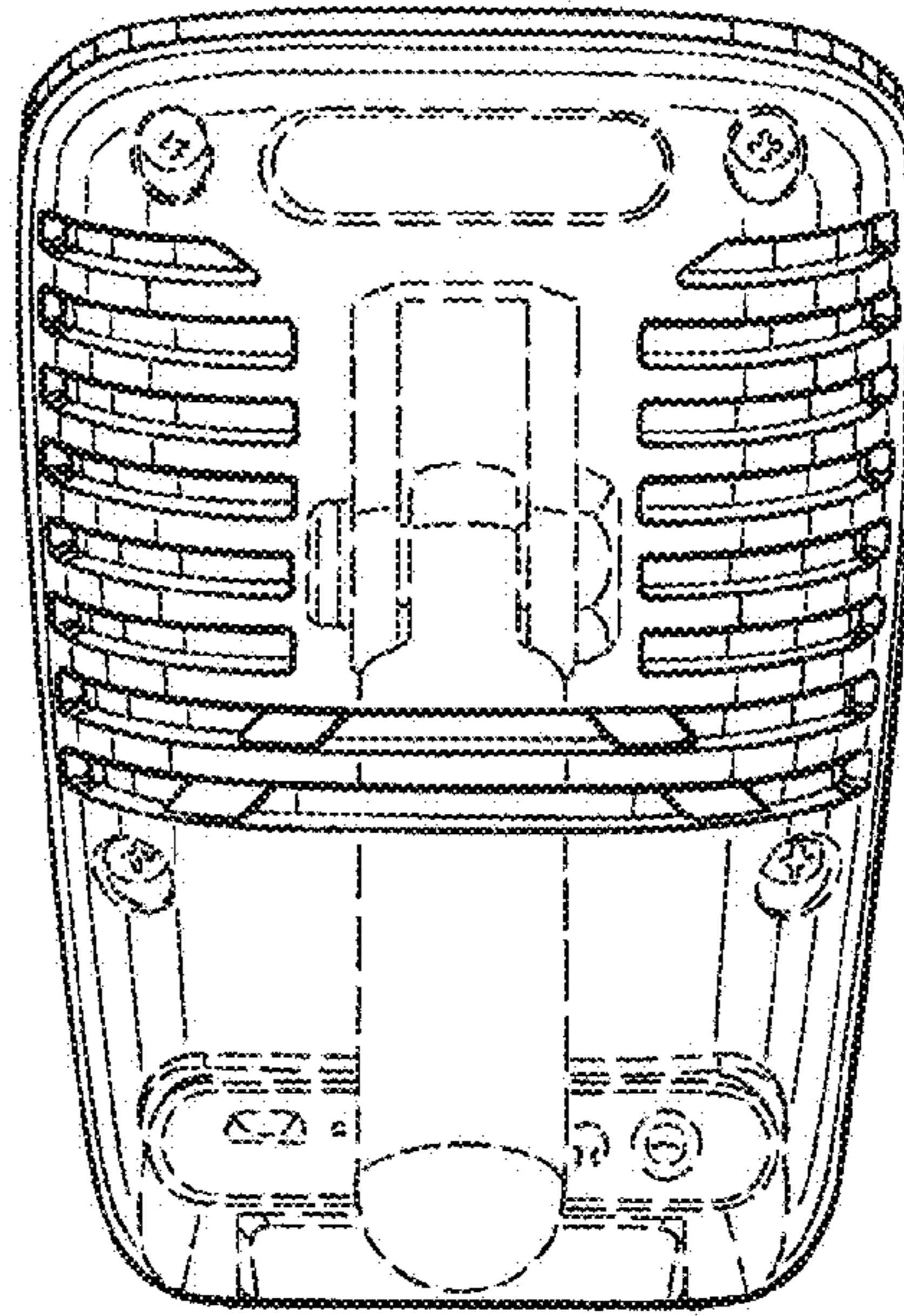


FIG. 5

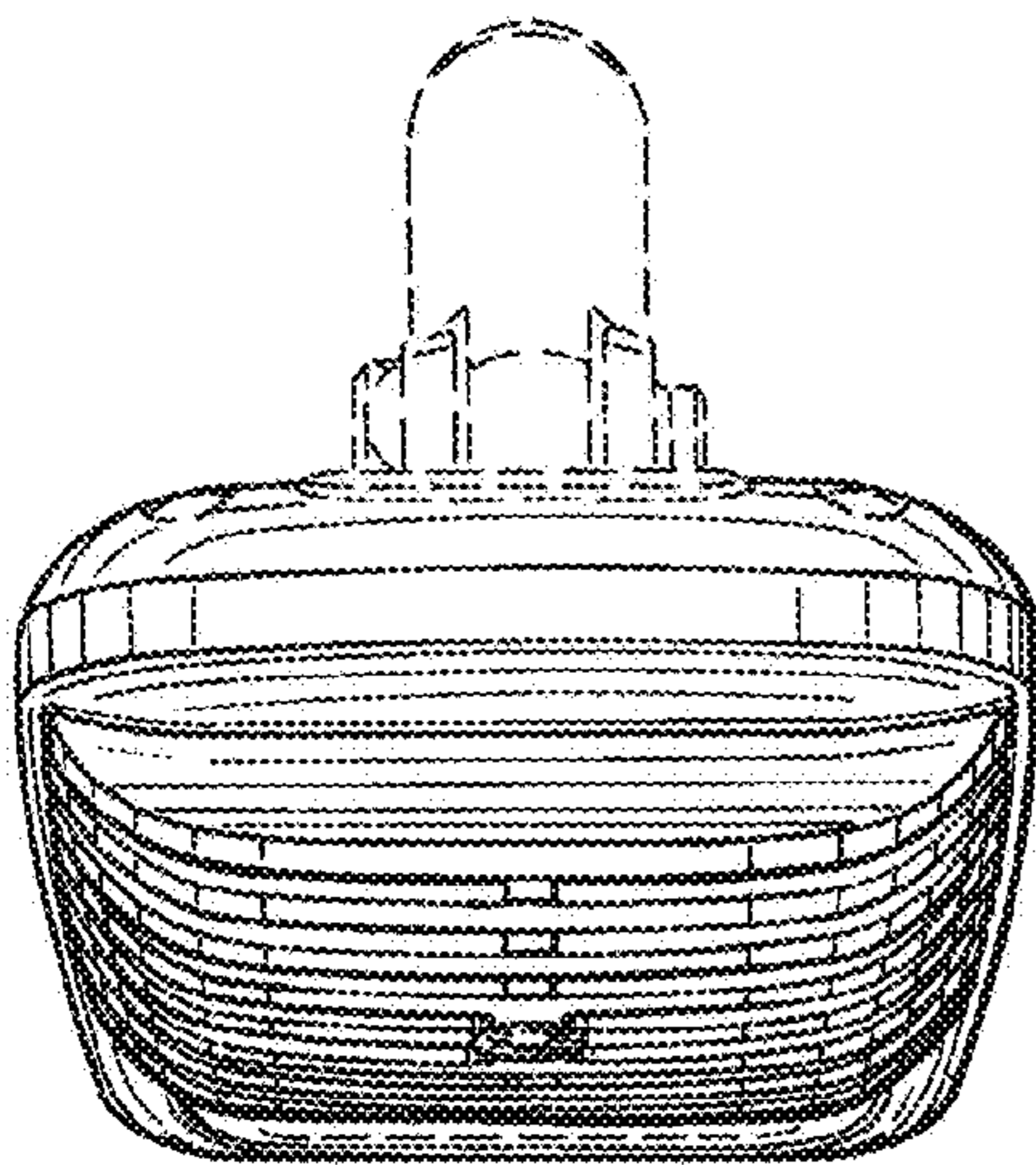


FIG. 6

