



US00D748608S

(12) **United States Design Patent**
Kuo

(10) **Patent No.:** **US D748,608 S**
(45) **Date of Patent:** **** Feb. 2, 2016**

- (54) **VARIABLE AUDIO FREQUENCY CONTROL DEVICE**
- (71) Applicant: **Traveljoy Internation Co., Ltd,**
Changhua County (TW)
- (72) Inventor: **Li-Mei Kuo,** Changhua County (TW)
- (73) Assignee: **TRAVELJOY INTERNATIONAL CO., LTD,** Changhua County (TW)
- (**) Term: **14 Years**
- (21) Appl. No.: **29/481,822**
- (22) Filed: **Feb. 11, 2014**
- (51) **LOC (10) Cl.** **14-03**
- (52) **U.S. Cl.**
USPC **D14/218**
- (58) **Field of Classification Search**
USPC D14/218, 137-139, 174, 151, 191-193,
D14/299, 167, 168, 221; D13/168,
D13/162-164; D21/512-517, 566;
D10/104, 106; 455/352-355,
455/151.1-151.4, 128, 347, 90.3; 348/114,
348/734
CPC G05D 1/0038; G08C 23/04; G08C 17/02;
H04N 5/23203; H04N 7/142; H03G 9/02;
H03G 3/001; H03G 1/02; H03G 3/04
See application file for complete search history.

- (56) **References Cited**
U.S. PATENT DOCUMENTS
D186,815 S * 12/1959 Boldt D14/218
D188,663 S * 8/1960 Montague D14/218
D196,647 S * 10/1963 Boldt D14/218

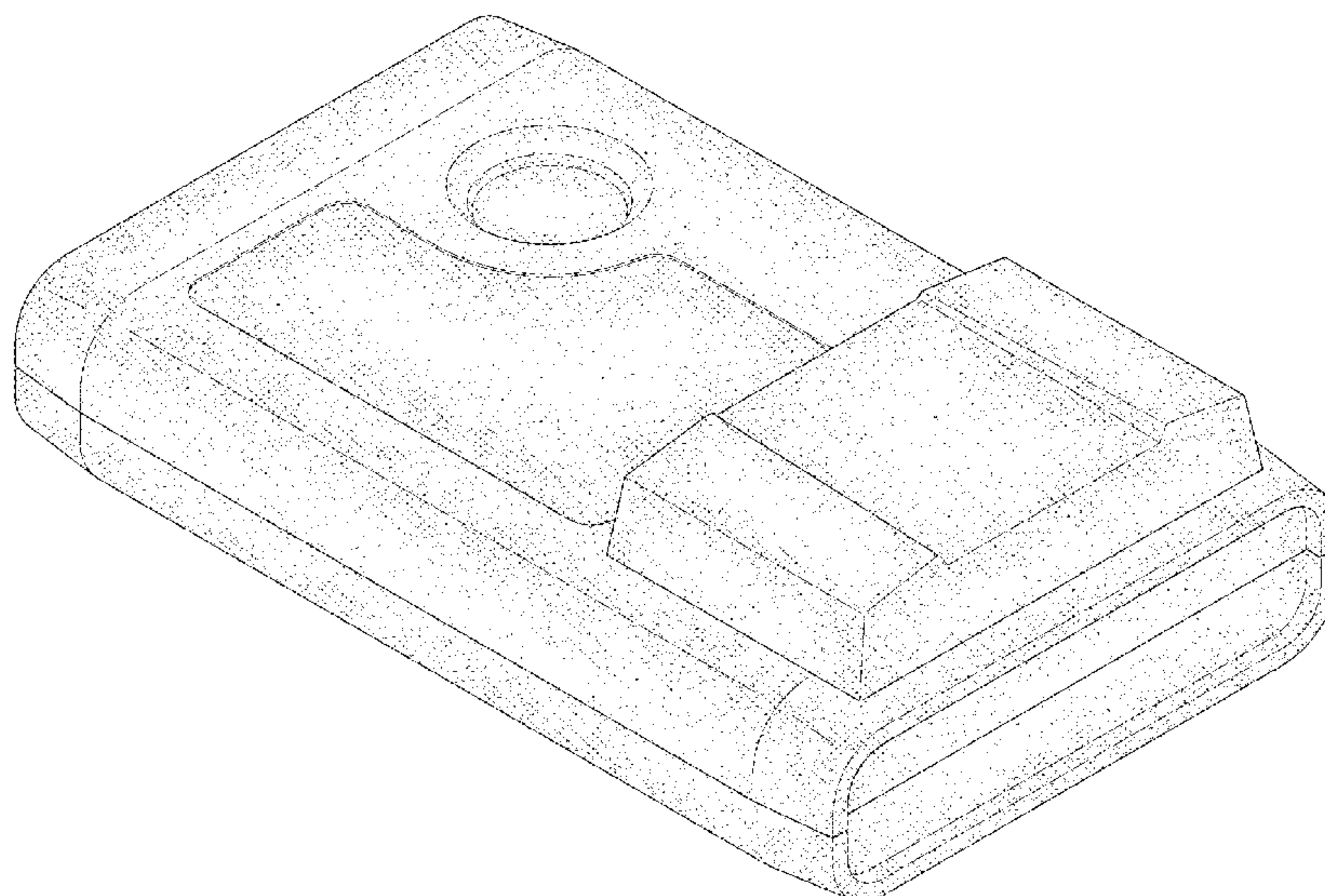
- D264,968 S * 6/1982 Iwata D14/155
- D292,288 S * 10/1987 Schwartz D14/218
- D299,922 S * 2/1989 Schremmer D13/168
- D310,063 S * 8/1990 Cheng D13/137.3
- D342,382 S * 12/1993 Kalinsky D3/205
- D353,042 S * 12/1994 Orina D3/209
- D537,810 S * 3/2007 Lee D14/203.3
- D570,871 S * 6/2008 Niizawa D14/496
- D593,535 S * 6/2009 Sheba D14/203.3
- D605,165 S * 12/2009 Sheba D14/203.7
- D607,874 S * 1/2010 Sheba D14/203.7
- D635,545 S * 4/2011 Sakai D14/167
- D639,751 S * 6/2011 Tucker D13/168
- D656,122 S * 3/2012 Niizawa D14/203.3
- D661,282 S * 6/2012 Tatara D14/218
- D710,313 S * 8/2014 Charleux D13/168
- D719,534 S * 12/2014 Woodman D13/168
- D723,007 S * 2/2015 Oh D14/218
- D738,321 S * 9/2015 Spira D13/168

* cited by examiner
Primary Examiner — John Windmuller
(74) *Attorney, Agent, or Firm* — Chun-Ming Shih

(57) **CLAIM**
The ornamental design for a variable audio frequency control device, as shown.

DESCRIPTION
FIG. 1 is a perspective view of a variable audio frequency control device showing my new design;
FIG. 2 is a front view thereof;
FIG. 3 is a rear view thereof;
FIG. 4 is a left side elevational view thereof;
FIG. 5 is a right side elevational view thereof;
FIG. 6 is a top plan view thereof; and,
FIG. 7 is a bottom side elevational view thereof.

1 Claim, 4 Drawing Sheets



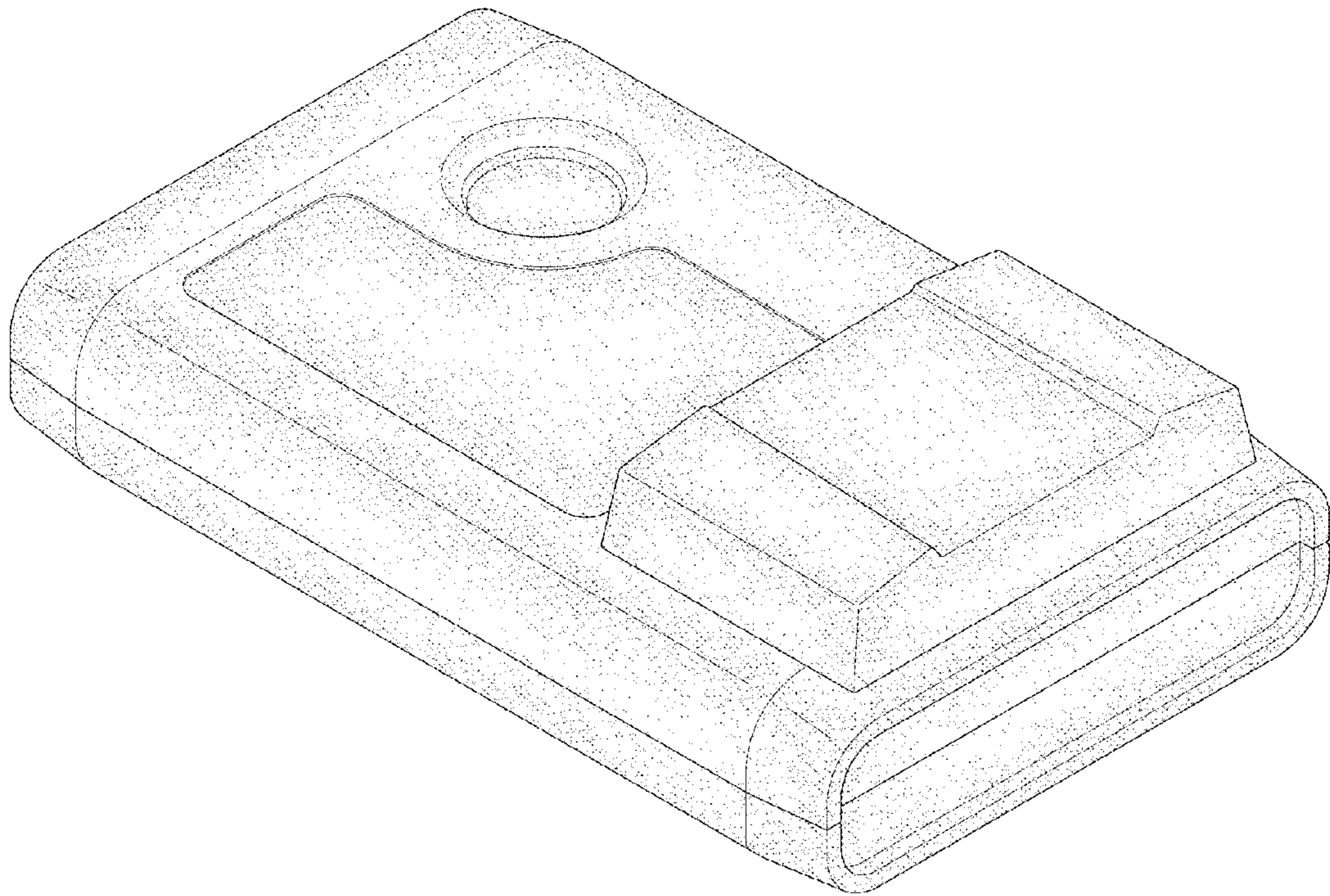


Fig.1

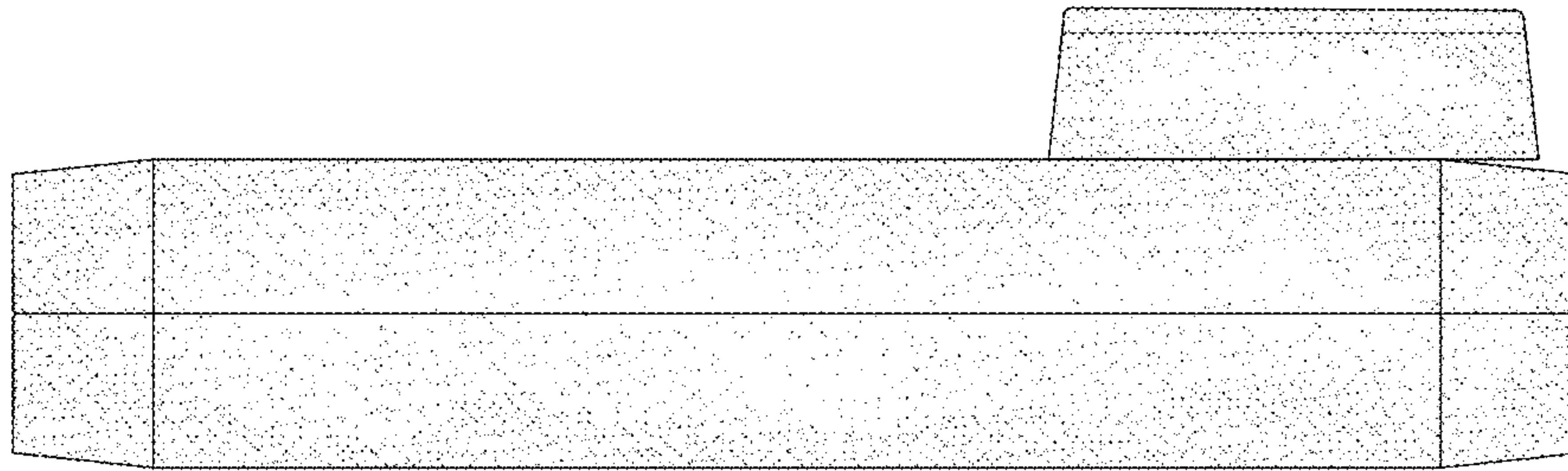


Fig. 2

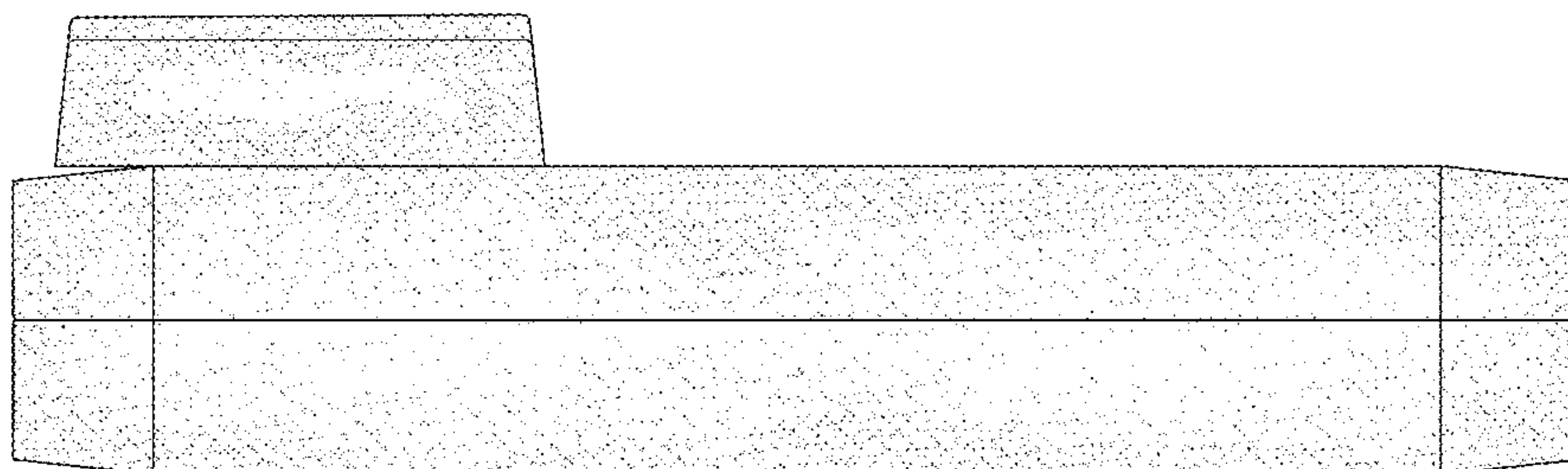


Fig. 3

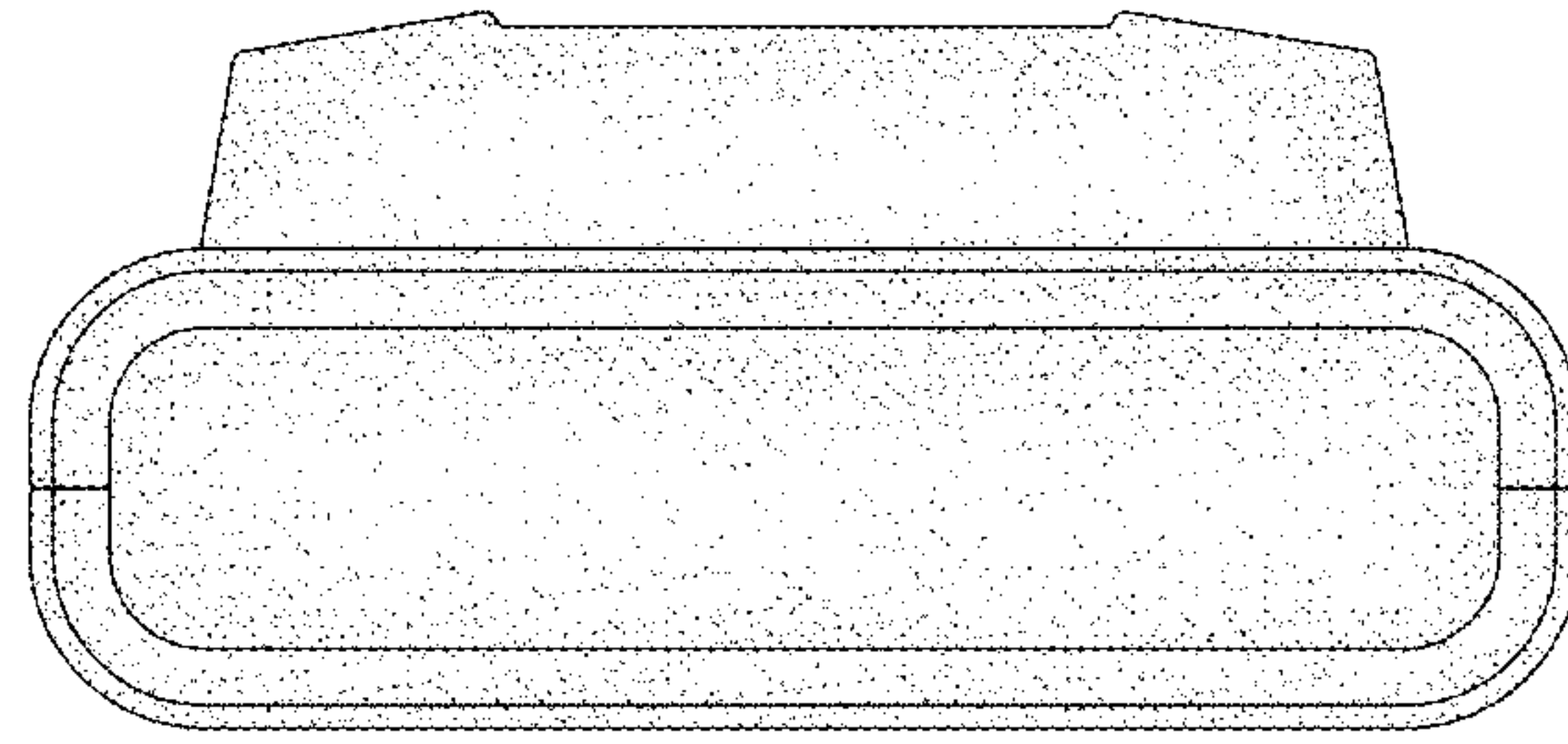


Fig.4

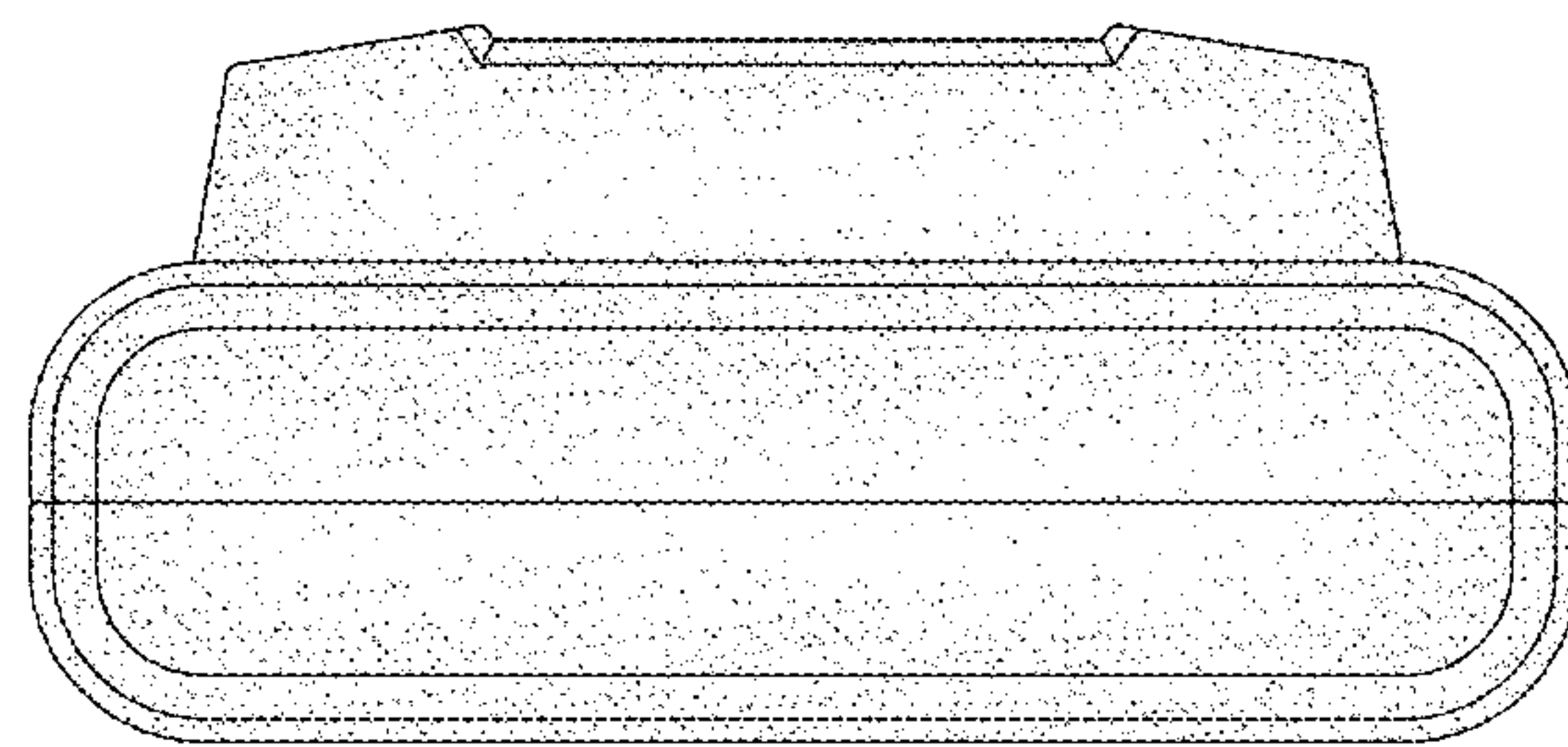


Fig.5

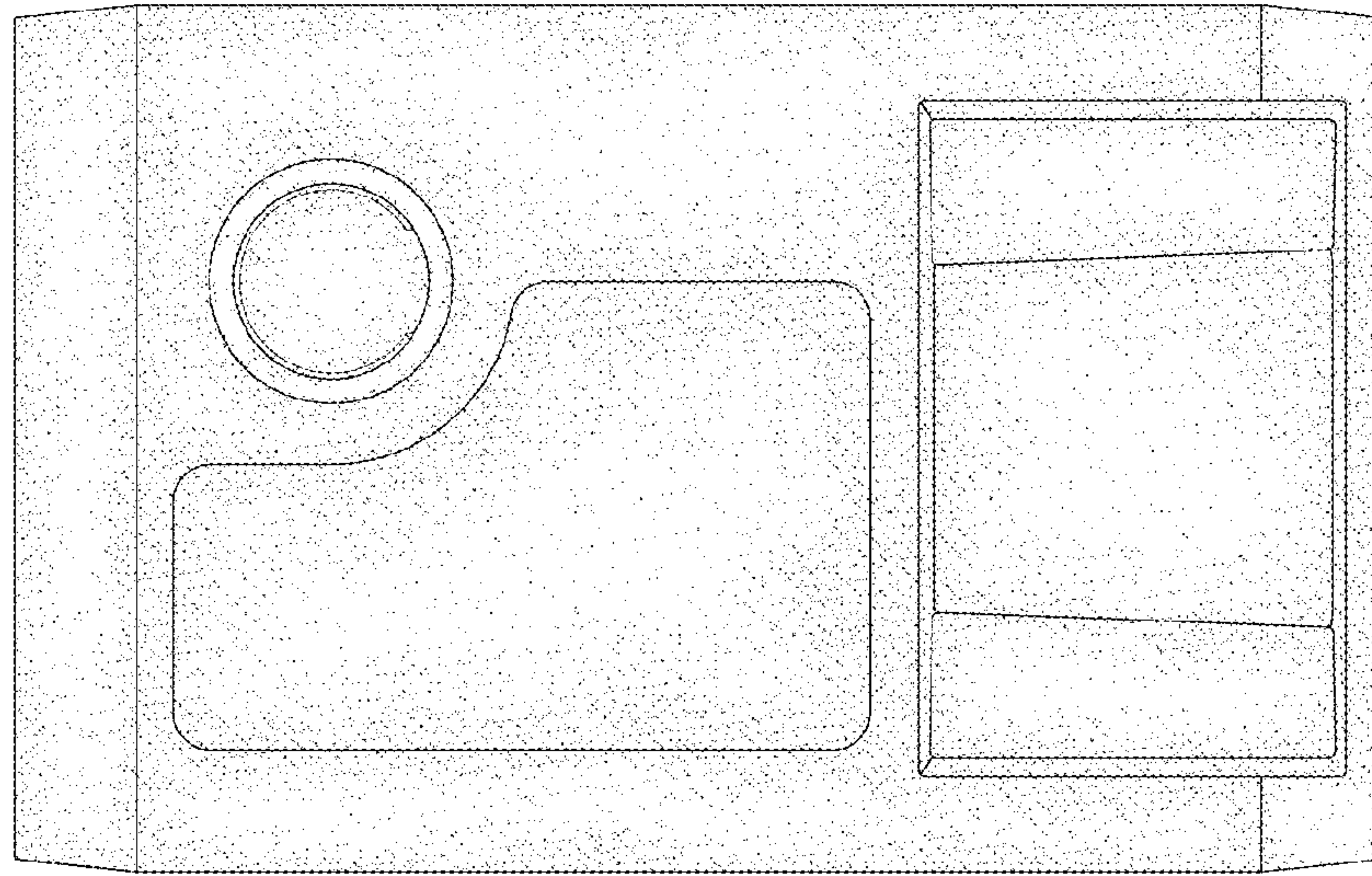


Fig.6

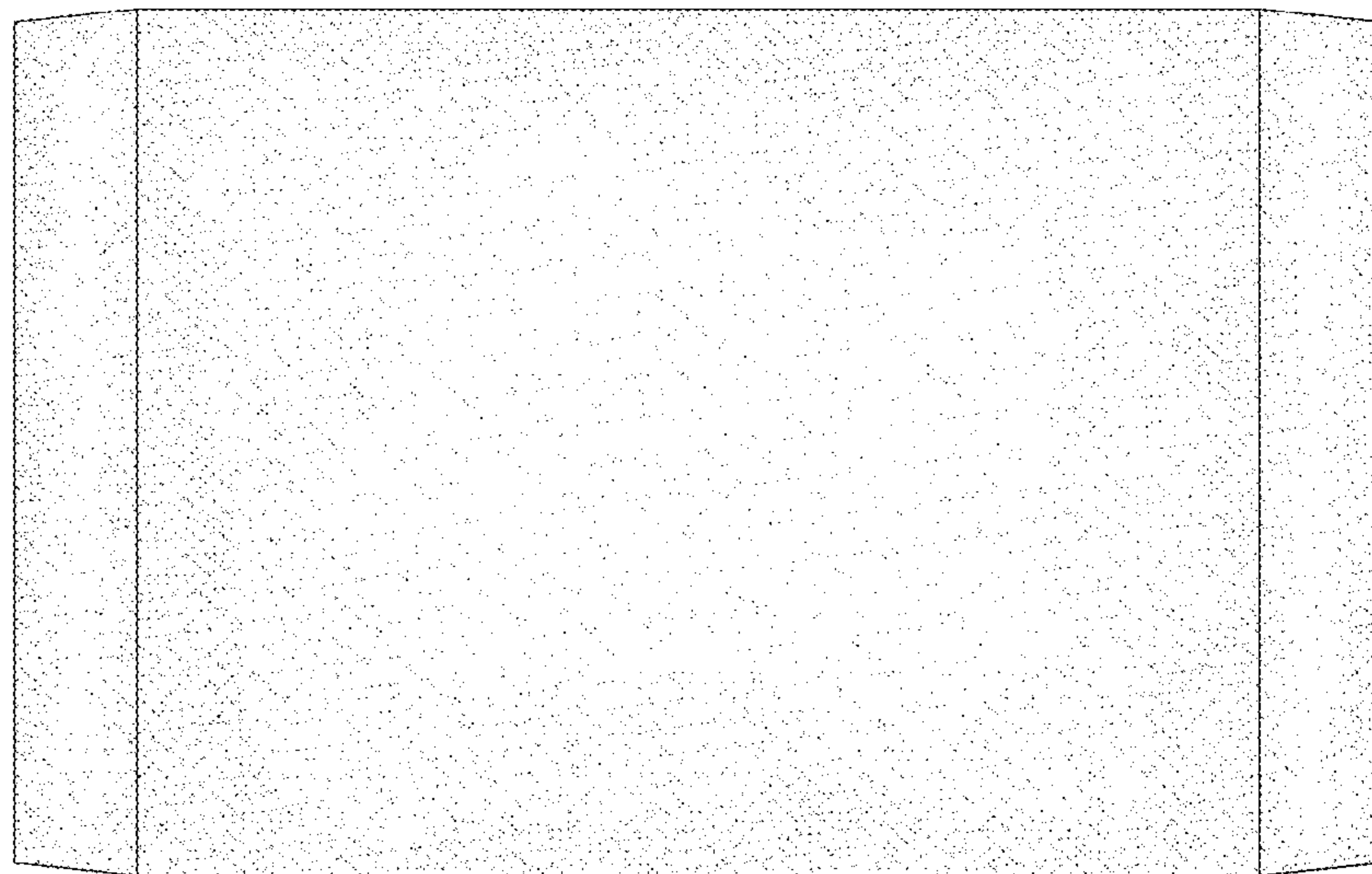


Fig.7