



US00D748605S

(12) **United States Design Patent**
McManigal

(10) **Patent No.:** **US D748,605 S**

(45) **Date of Patent:** **** Feb. 2, 2016**

(54) **AUDIO DEVICE**

(71) Applicant: **Scott McManigal**, Irvine, CA (US)

(72) Inventor: **Scott McManigal**, Irvine, CA (US)

(73) Assignee: **Vizio Inc**, Irvine, CA (US)

(**) Term: **14 Years**

(21) Appl. No.: **29/499,938**

(22) Filed: **Aug. 20, 2014**

(51) **LOC (10) Cl.** **14-03**

(52) **U.S. Cl.**
USPC **D14/214**

(58) **Field of Classification Search**
USPC D14/167, 168, 170–172, 188, 194–196,
D14/204, 207, 209.1, 210–216, 219, 221,
D14/222, 224, 496; 181/143, 144, 147, 148,
181/150, 153, 157, 198, 199; 381/300–303,
381/306, 332, 333, 336, 345, 361–364,
381/386–388; 369/6–12

CPC B60R 11/0217; G06F 1/1688; H04M 1/03;
H04M 1/035; H04R 1/02; H04R 1/06; H04R
1/021; H04R 1/025; H04R 1/026; H04R
1/028; H04R 1/105; H04R 1/323; H04R
1/403; H04R 1/2803; H04R 1/2834; H04R
5/02; H04R 7/20; H04R 9/06; H04R 9/025;
H04R 2201/021; H04R 2400/00; H04R
2400/07; H04R 2499/11; H04R 2499/13;
H04R 2499/15; H04S 3/00; H04S 7/30

See application file for complete search history.

(56) **References Cited**

U.S. PATENT DOCUMENTS

D389,483	S	*	1/1998	Christie et al.	D14/214
D538,258	S	*	3/2007	Ishibashi	D14/168
D538,782	S	*	3/2007	Ishibashi	D14/168
D582,416	S	*	12/2008	Duarte et al.	D14/434
D597,529	S	*	8/2009	Tan et al.	D14/214
D620,921	S	*	8/2010	Skurdal	D14/209.1
D641,338	S	*	7/2011	Chen	D14/209.1
D672,747	S	*	12/2012	Khoo et al.	D14/214
D676,413	S	*	2/2013	Poandl	D14/171
D677,244	S	*	3/2013	Funayama	D14/209.1
D681,604	S	*	5/2013	Funayama	D14/209.1
D726,142	S	*	4/2015	Itoh et al.	D14/196
D726,153	S	*	4/2015	Chang	D14/215
D726,686	S	*	4/2015	Yoon	D14/216

* cited by examiner

Primary Examiner — Keli L Hill

(74) *Attorney, Agent, or Firm* — Law Office of Scott C Harris, Inc

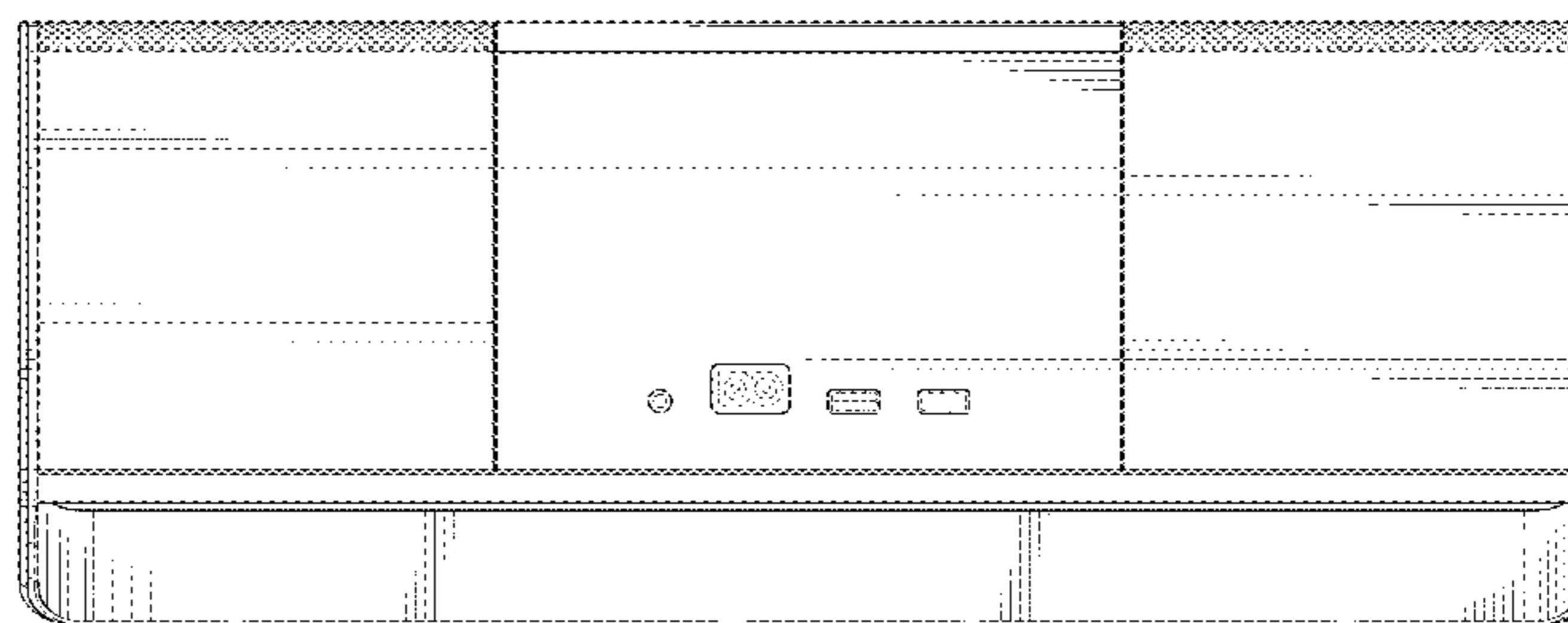
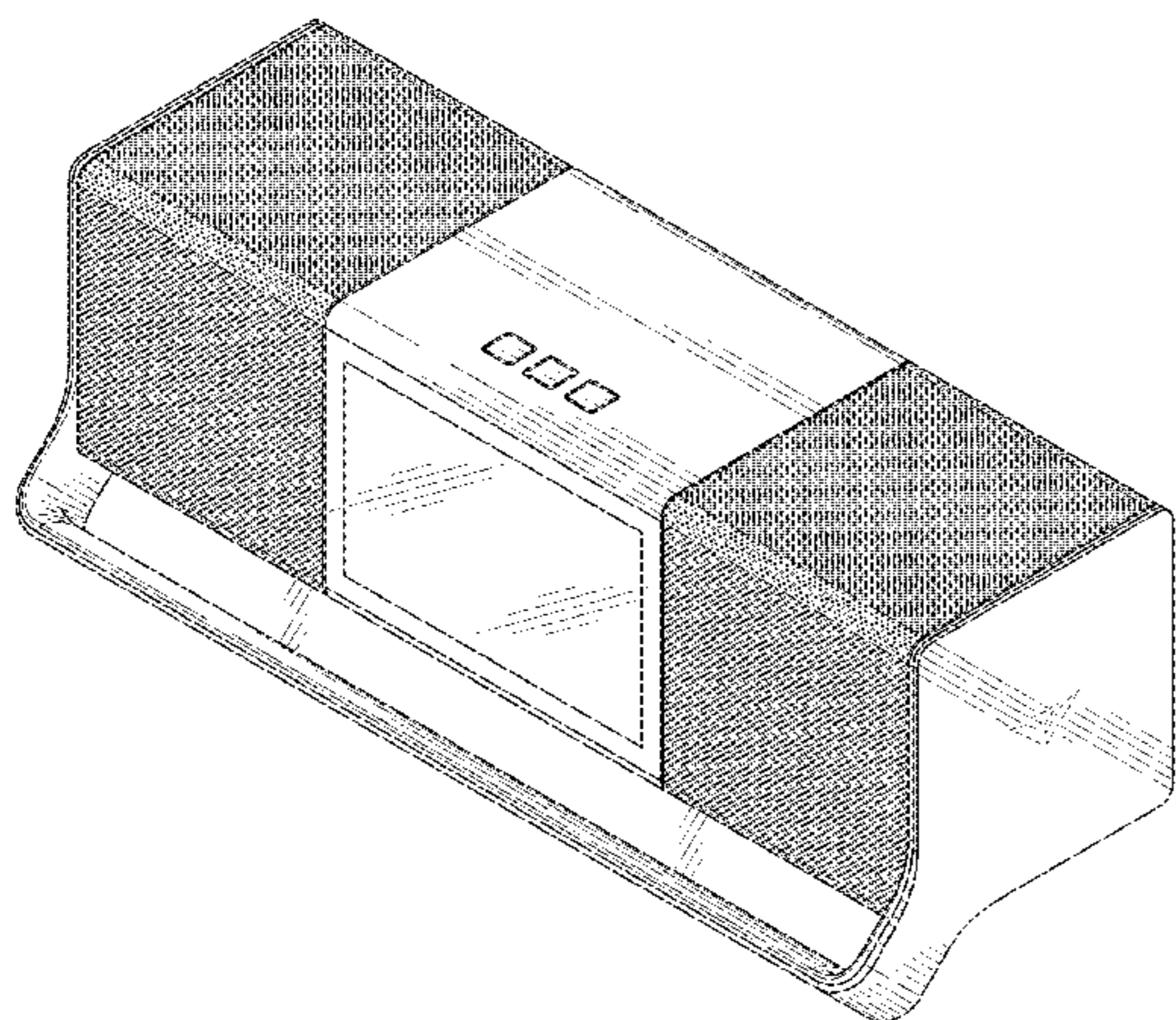
(57) **CLAIM**

I claim the ornamental design for an audio device, as shown and described.

DESCRIPTION

FIG. 1 shows a front perspective view of the audio device; FIG. 2 shows a front view of the audio device; FIG. 3 shows a rear view of the audio device; FIG. 4 shows a first side view of the audio device; FIG. 5 shows a second side view of the audio device; FIG. 6 shows a top view of the audio device; and, FIG. 7 shows a bottom view of the audio device. The portions of the audio device shown in broken lines form no part of the claimed design.

1 Claim, 6 Drawing Sheets



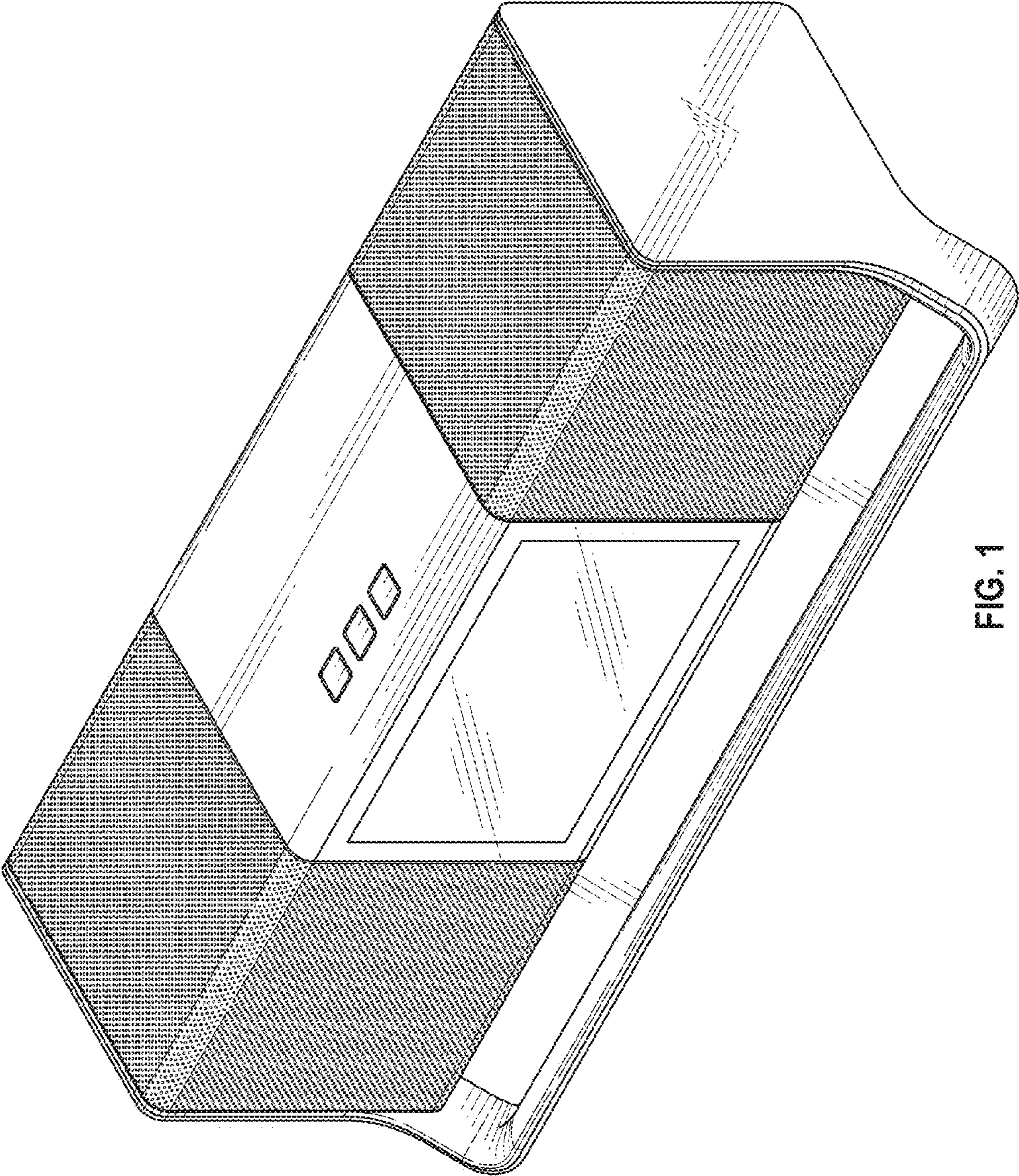


FIG. 1

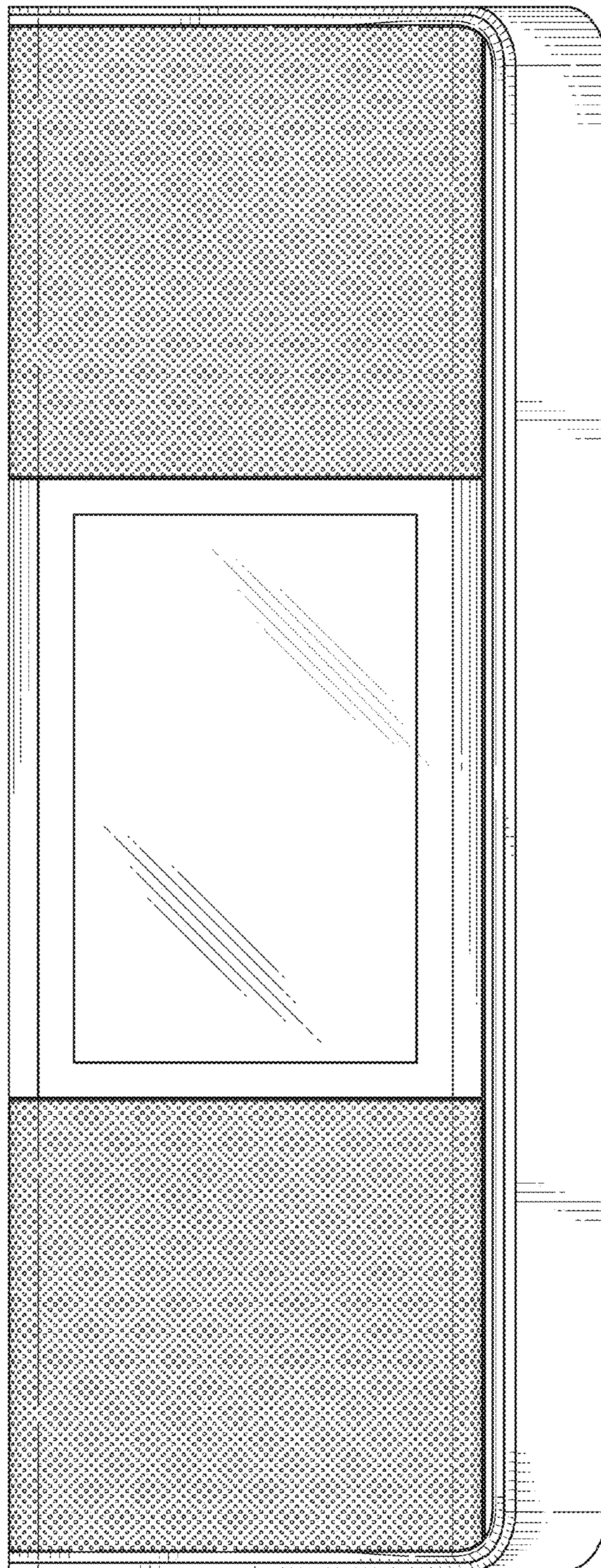


FIG. 2

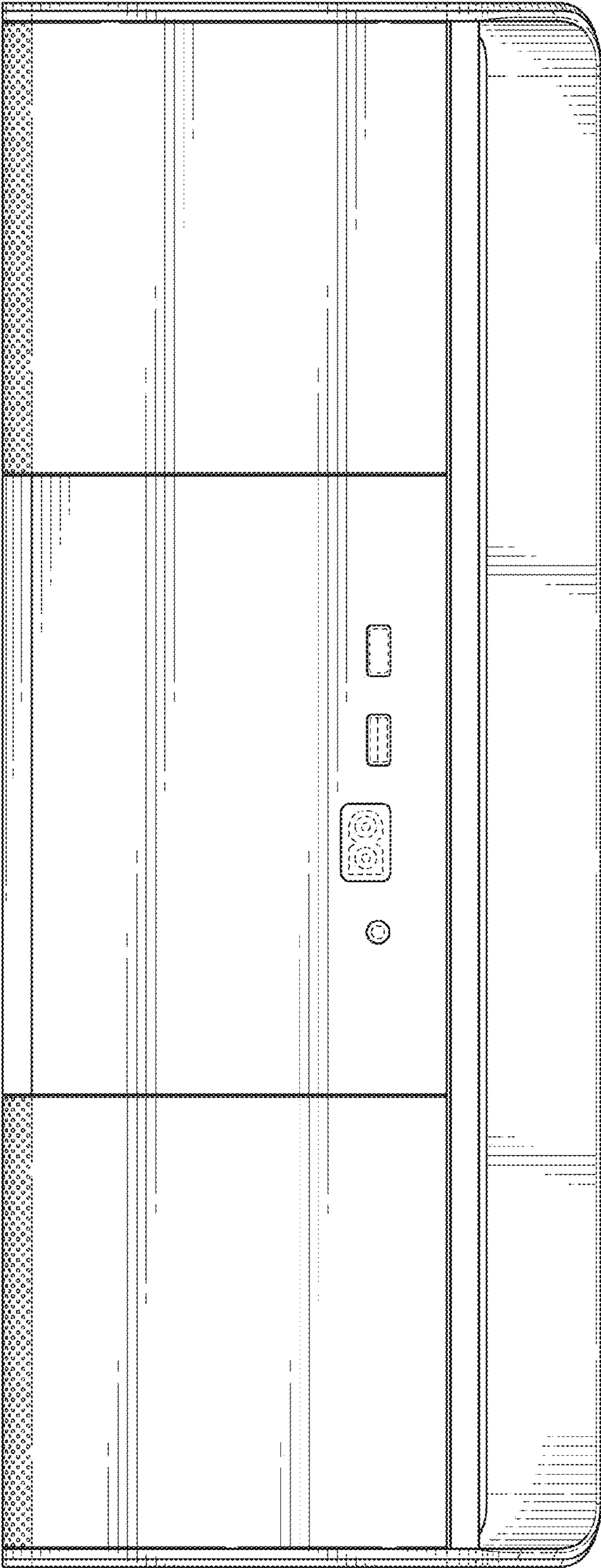


FIG. 3

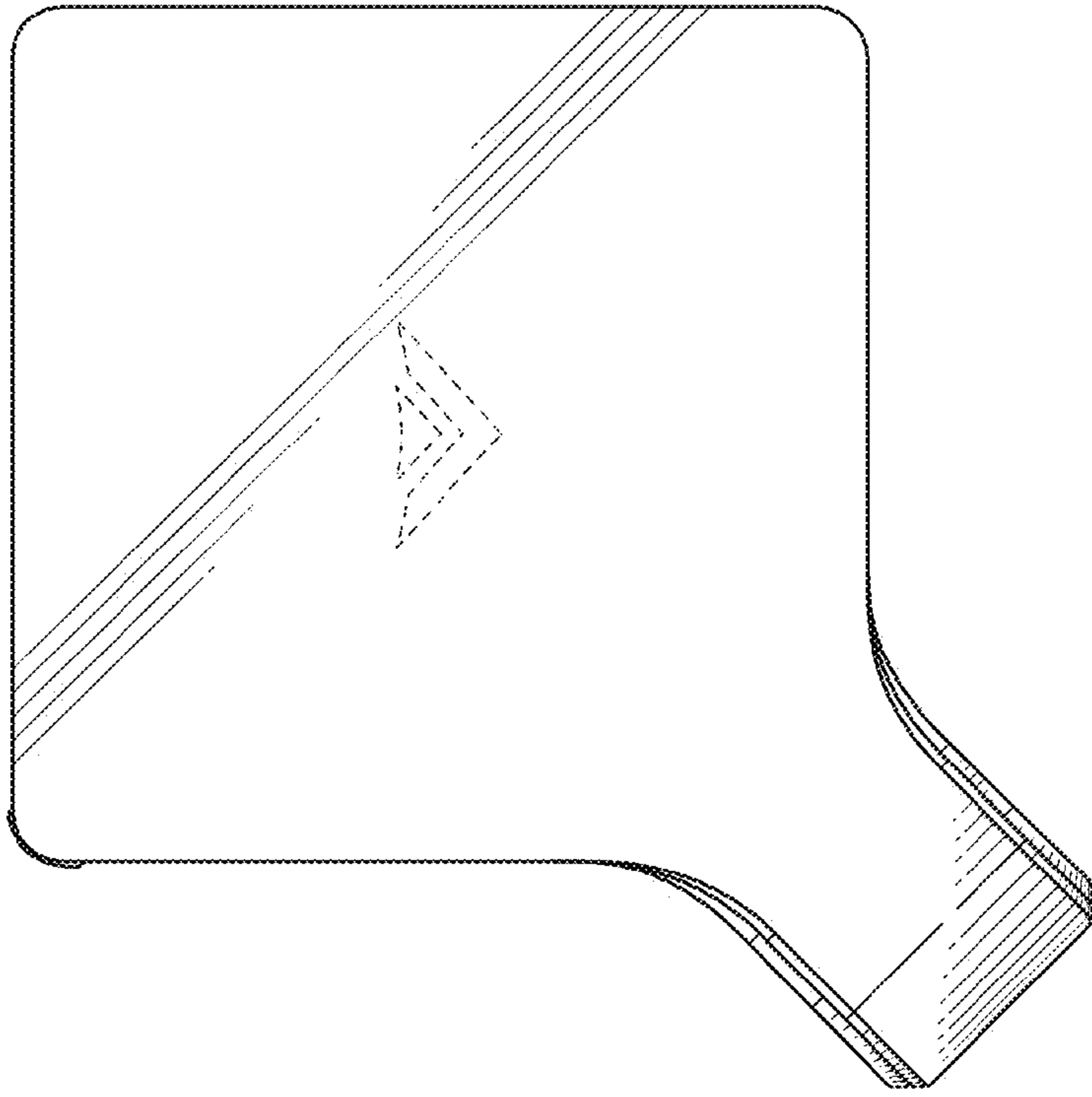


FIG. 5

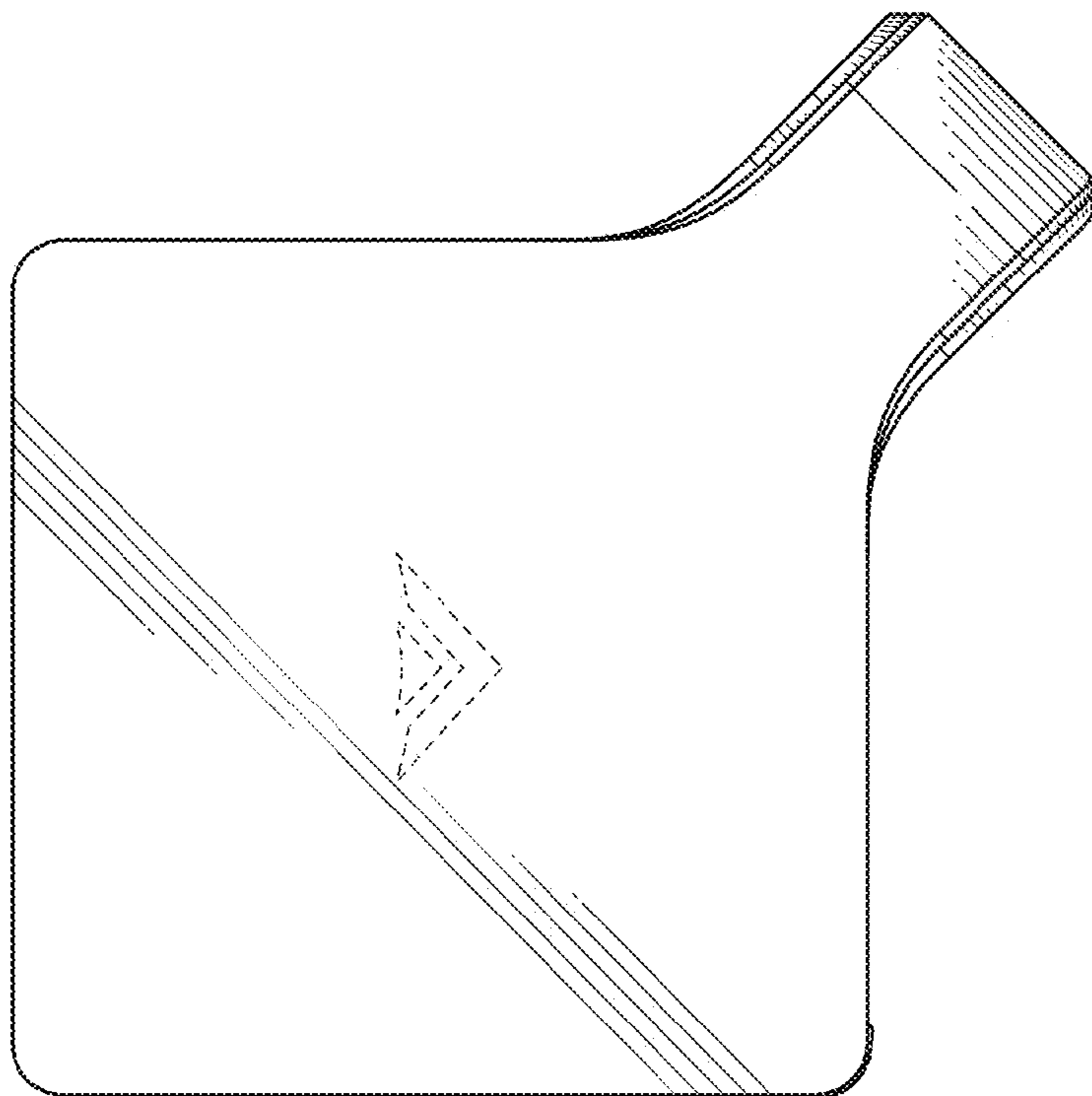


FIG. 4

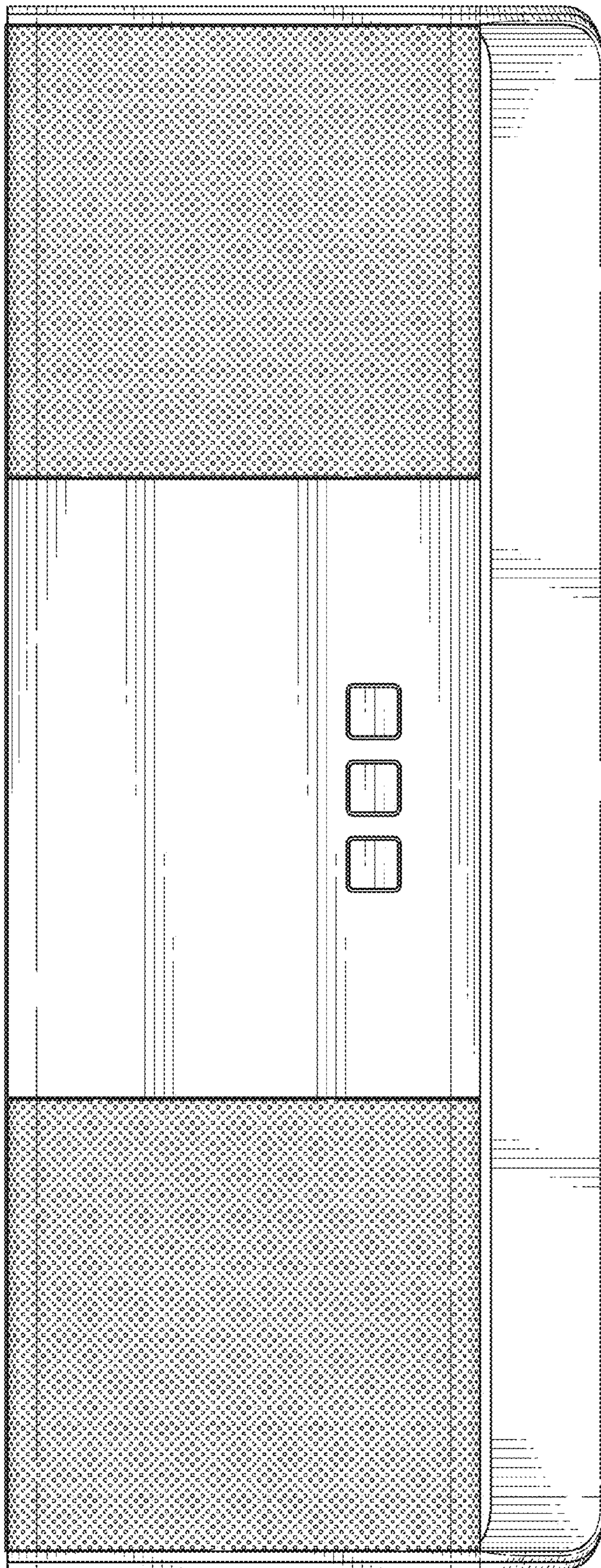


FIG. 6

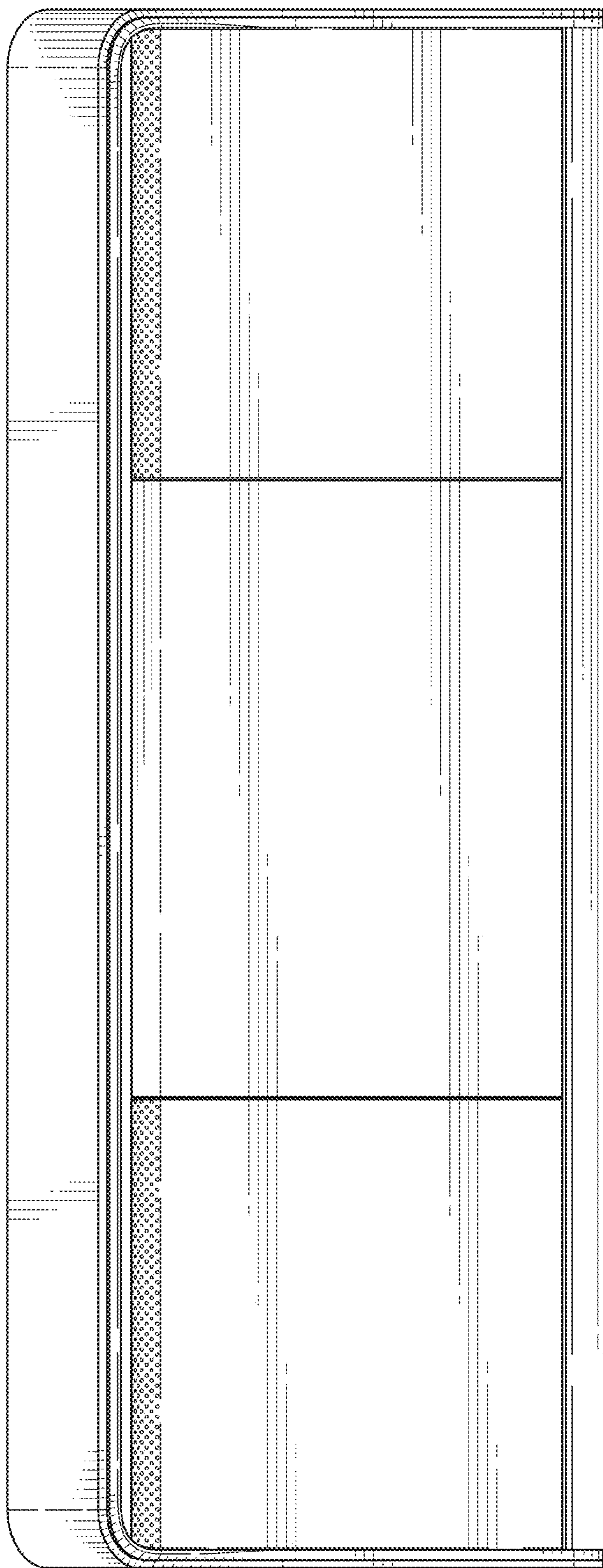


FIG. 7