



US00D748604S

(12) **United States Design Patent**  
**Hartmann**

(10) **Patent No.:** **US D748,604 S**

(45) **Date of Patent:** **\*\* \*Feb. 2, 2016**

(54) **SPEAKER**

(71) Applicant: **Gibson Brands, Inc.**, Nashville, TN  
(US)

(72) Inventor: **Axel Hartmann**, Ravensburg (DE)

(73) Assignee: **Gibson Brands, Inc.**, Nashville, TN  
(US)

(\*) Notice: This patent is subject to a terminal disclaimer.

(\*\*) Term: **14 Years**

(21) Appl. No.: **29/462,722**

(22) Filed: **Aug. 7, 2013**

(51) **LOC (10) Cl.** ..... **14-03**

(52) **U.S. Cl.**  
USPC ..... **D14/214**

(58) **Field of Classification Search**  
USPC ..... D14/167, 168, 170–172, 188, 194–196,  
D14/204, 207, 209.1, 210–216, 219, 221,  
D14/222, 224, 496; 181/143, 144, 147, 148,  
181/150, 153, 157, 198, 199; 381/300–303,  
381/306, 332, 333, 336, 345, 361–364,  
381/386–388; 369/6–12

See application file for complete search history.

(56) **References Cited**

U.S. PATENT DOCUMENTS

D336,475 S *	6/1993	Christie	.....	D14/215
D436,946 S *	1/2001	Lin	.....	D14/215
D439,239 S *	3/2001	Ito et al.	.....	D14/215
D439,240 S *	3/2001	Ito et al.	.....	D14/215
D542,777 S *	5/2007	Sato	.....	D14/215
D544,466 S *	6/2007	Pincek et al.	.....	D14/214
D581,901 S *	12/2008	Pincek et al.	.....	D14/214
D624,047 S *	9/2010	Kim	.....	D14/215
D645,453 S *	9/2011	Kim et al.	.....	D14/215
D657,777 S *	4/2012	Jursch et al.	.....	D14/215
D672,750 S *	12/2012	Lee	.....	D14/215

\* cited by examiner

*Primary Examiner* — Keli L Hill

(74) *Attorney, Agent, or Firm* — Bates & Bates, LLC

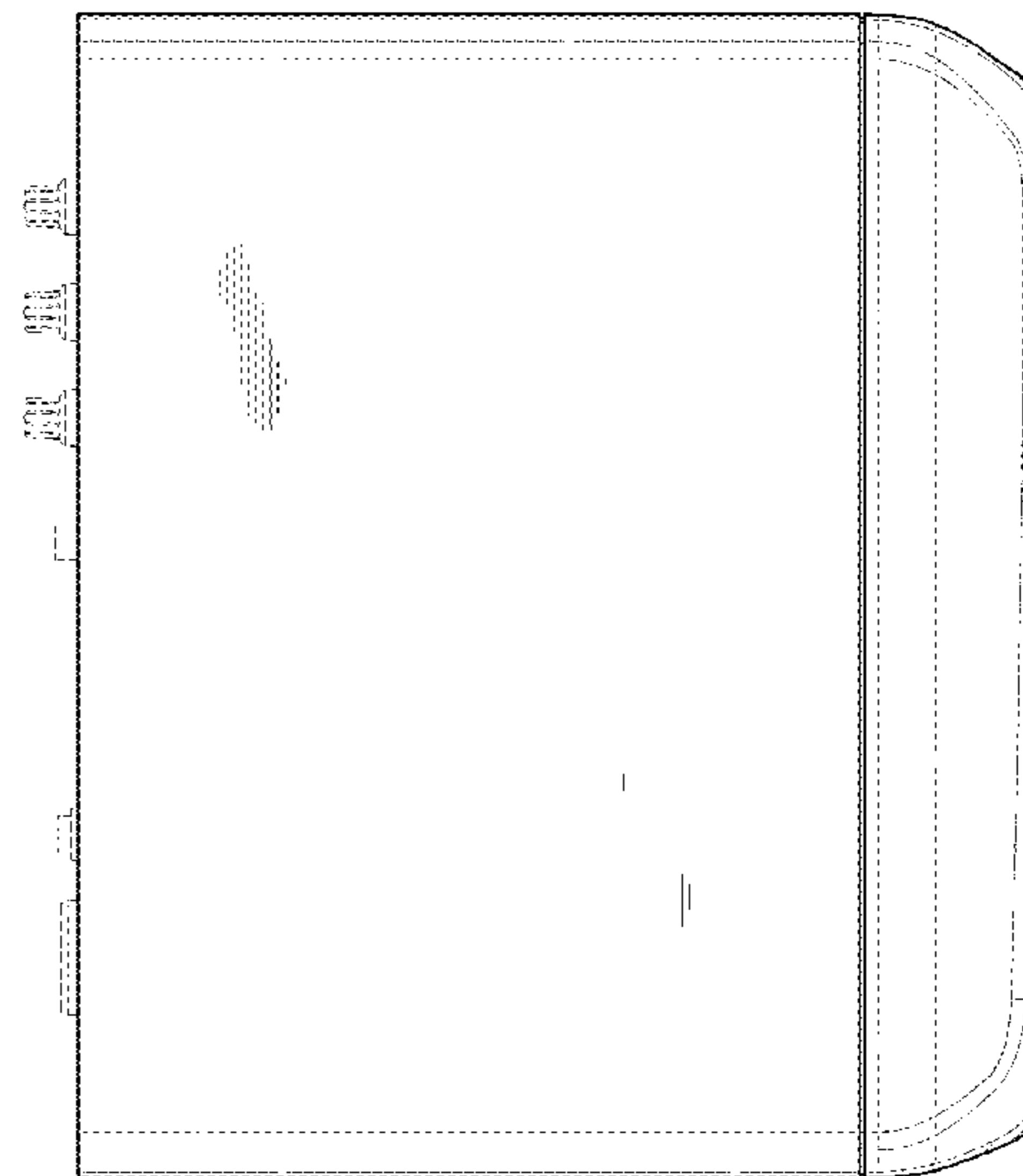
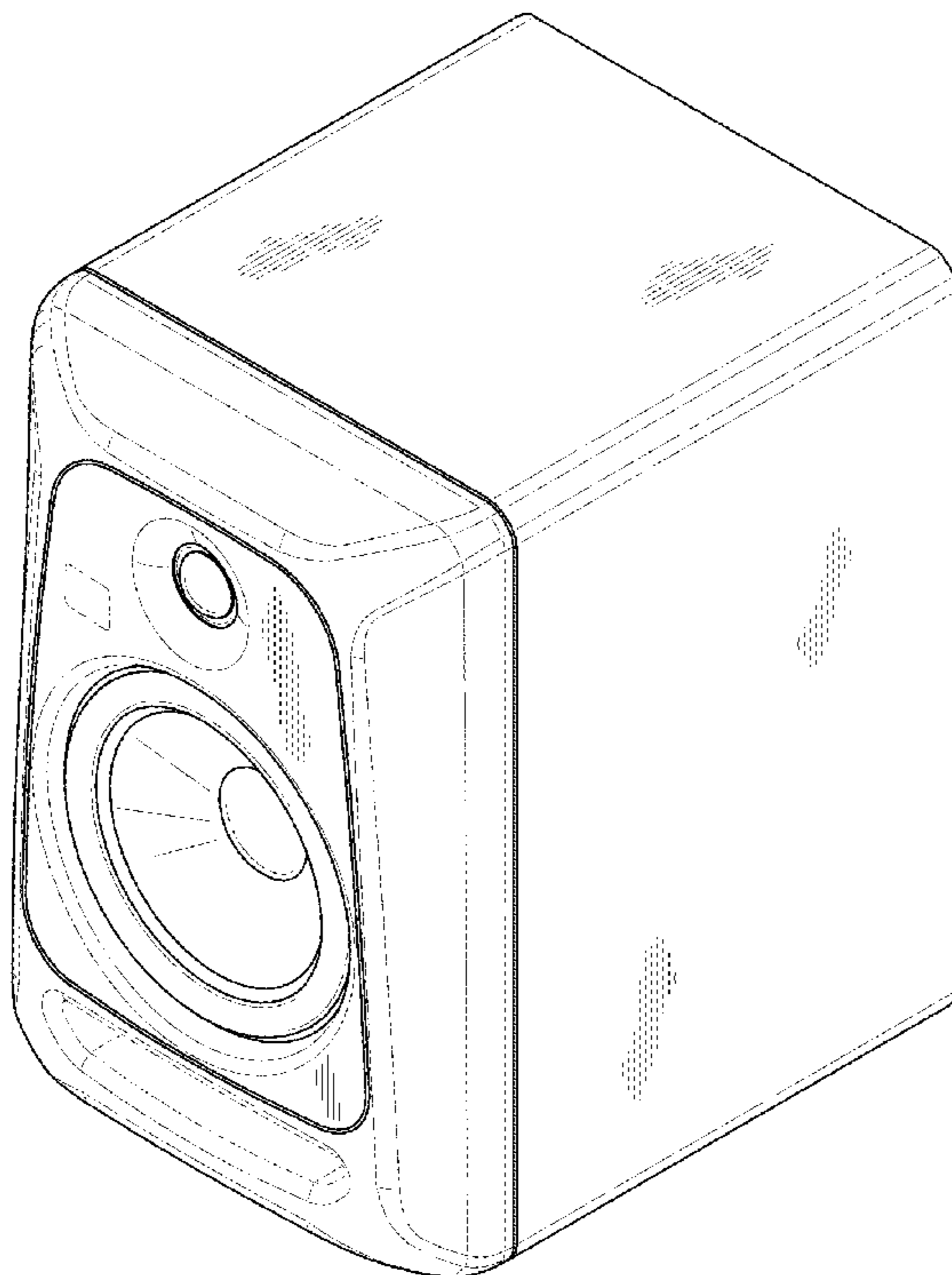
(57) **CLAIM**

What is claimed is the ornamental design for a speaker, as shown and described.

**DESCRIPTION**

FIG. 1 is a perspective view of the front of the speaker; FIG. 2 is a front view of the speaker; FIG. 3 is a back view of the speaker; FIG. 4 is a left side view of the speaker; FIG. 5 is a right side view of the speaker; FIG. 6 is a top view of the speaker; and, FIG. 7 is a bottom view of the speaker. The broken lines shown are included for the purpose of illustrating portions of the speaker that form no part of the claimed design.

**1 Claim, 7 Drawing Sheets**



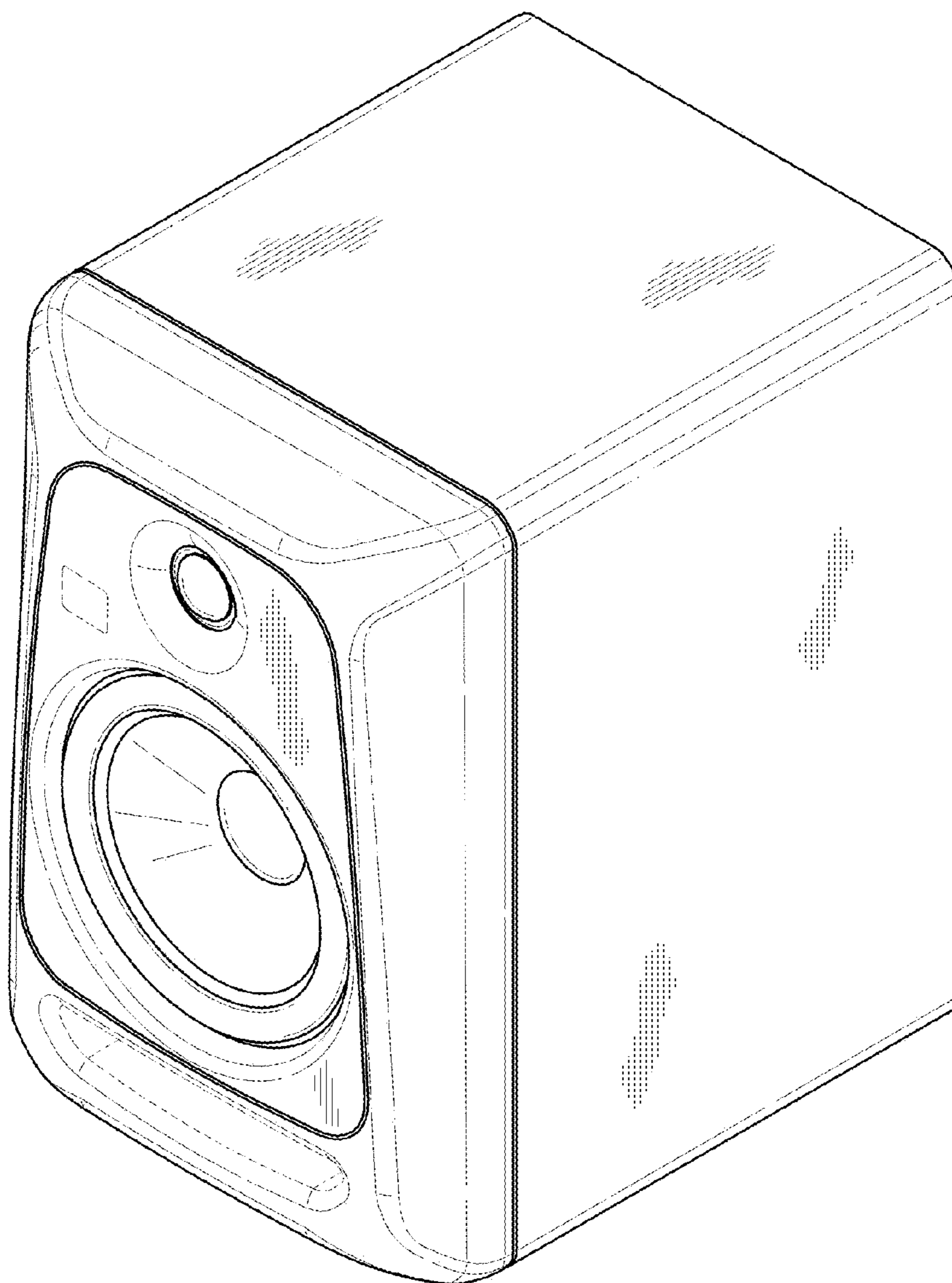


FIG. 1

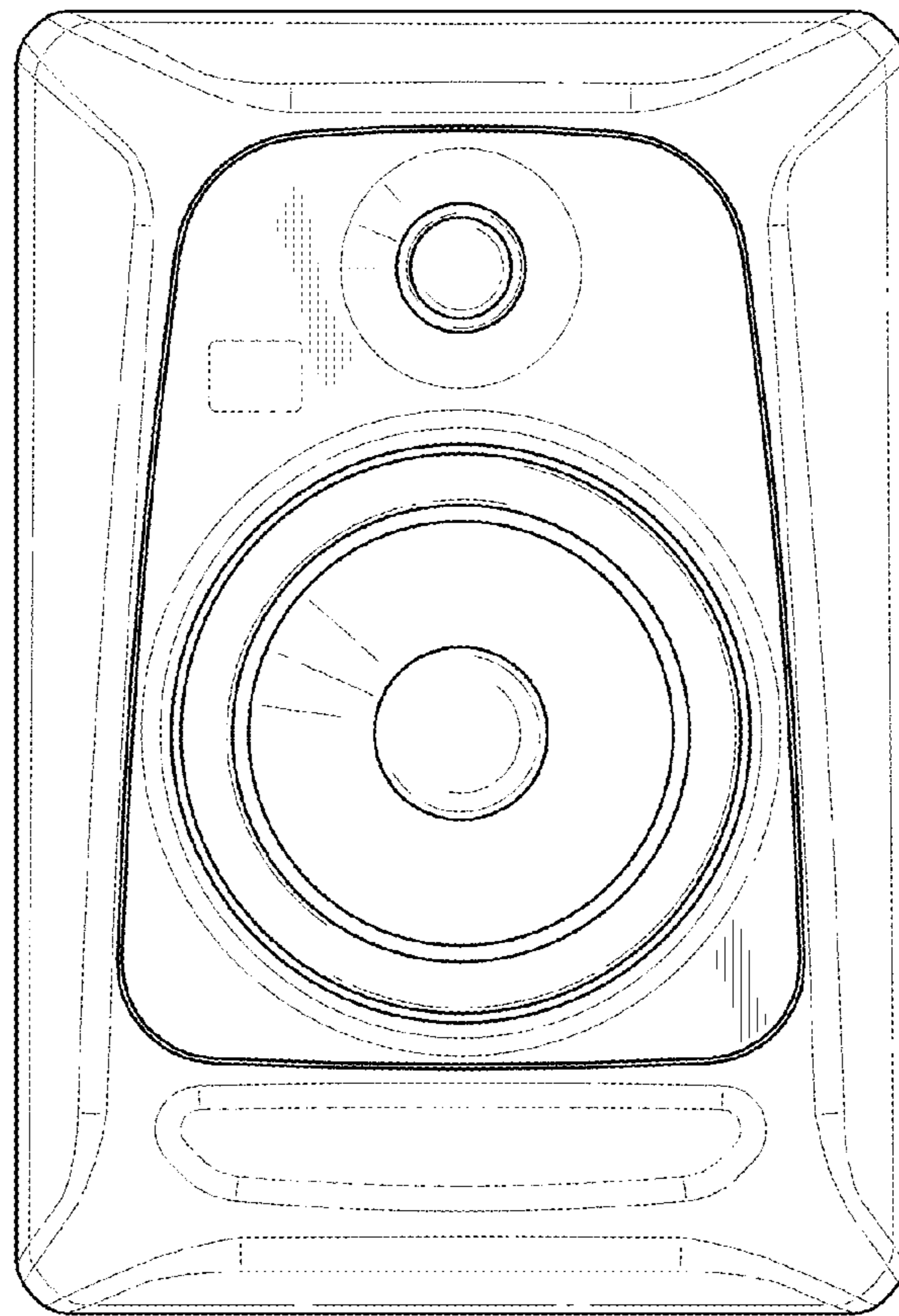


FIG. 2

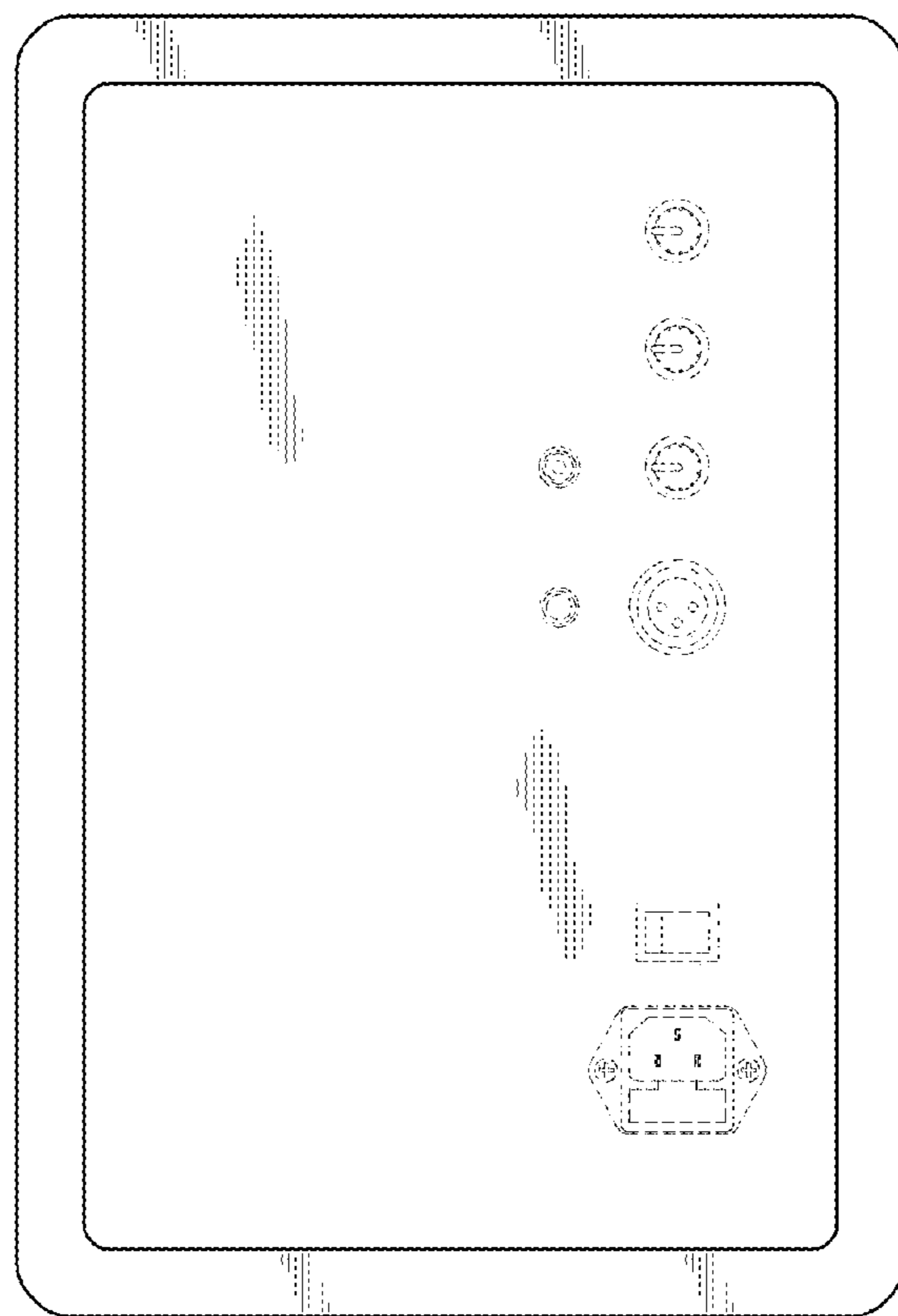


FIG. 3

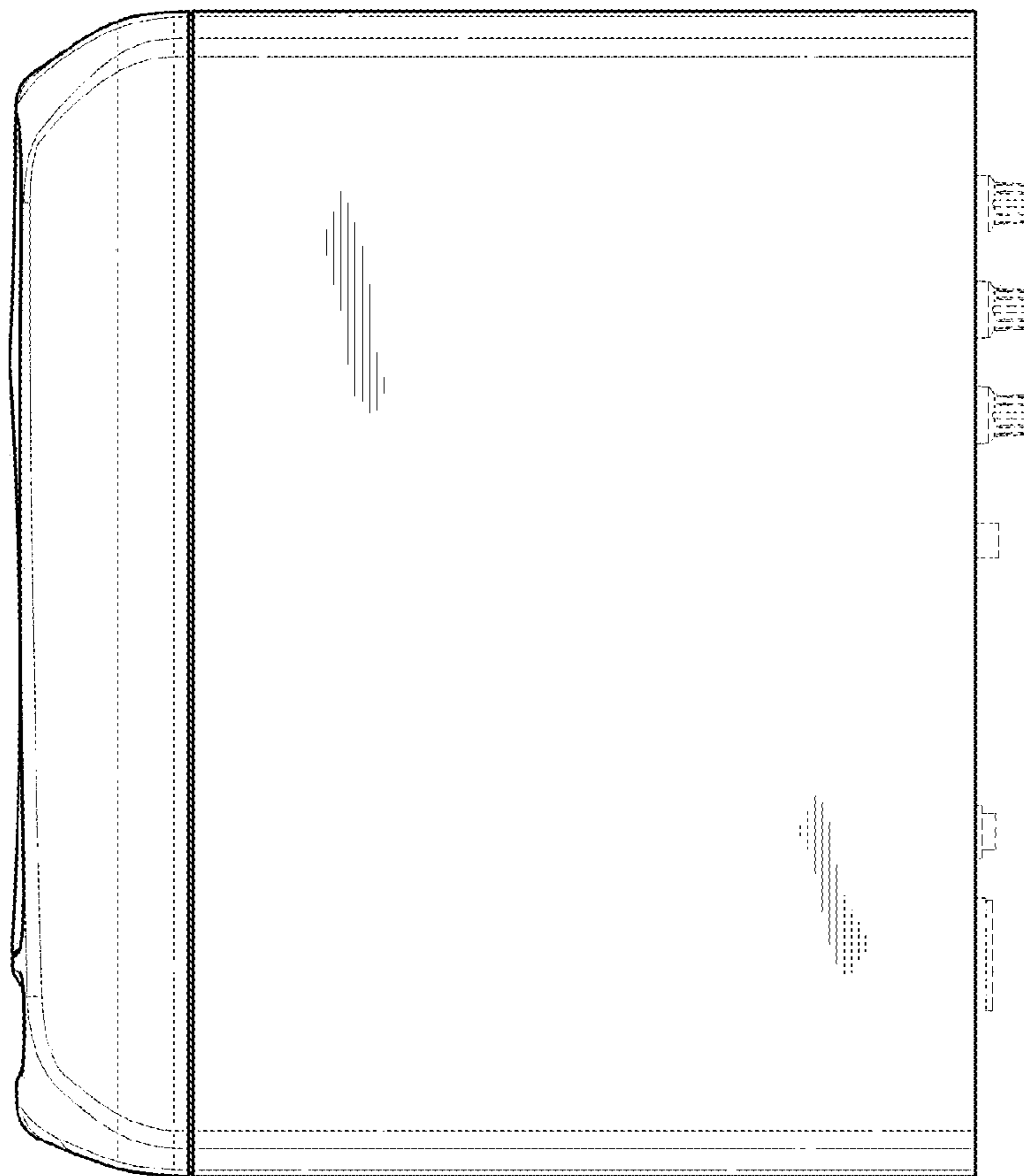


FIG. 4

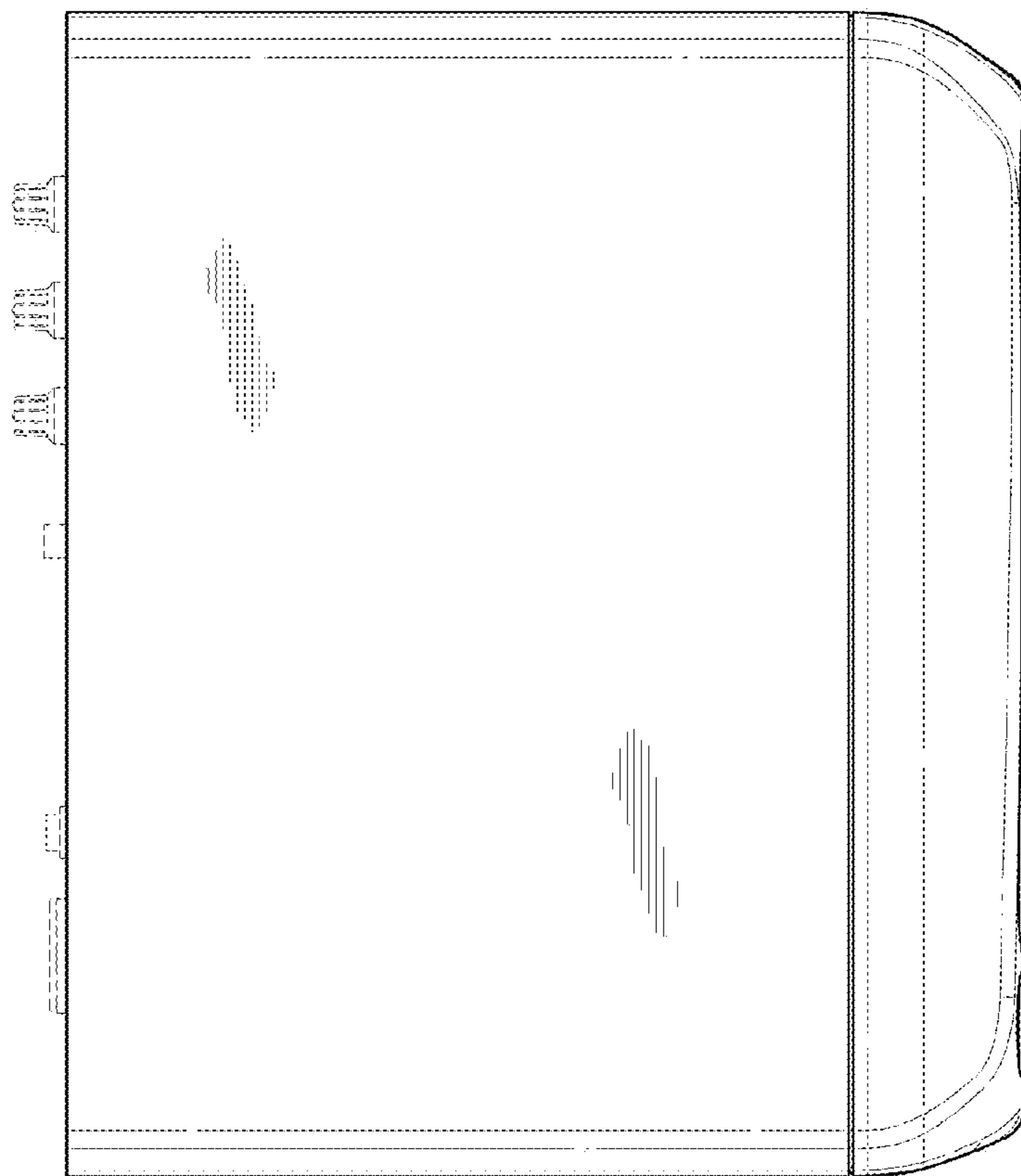


FIG. 5

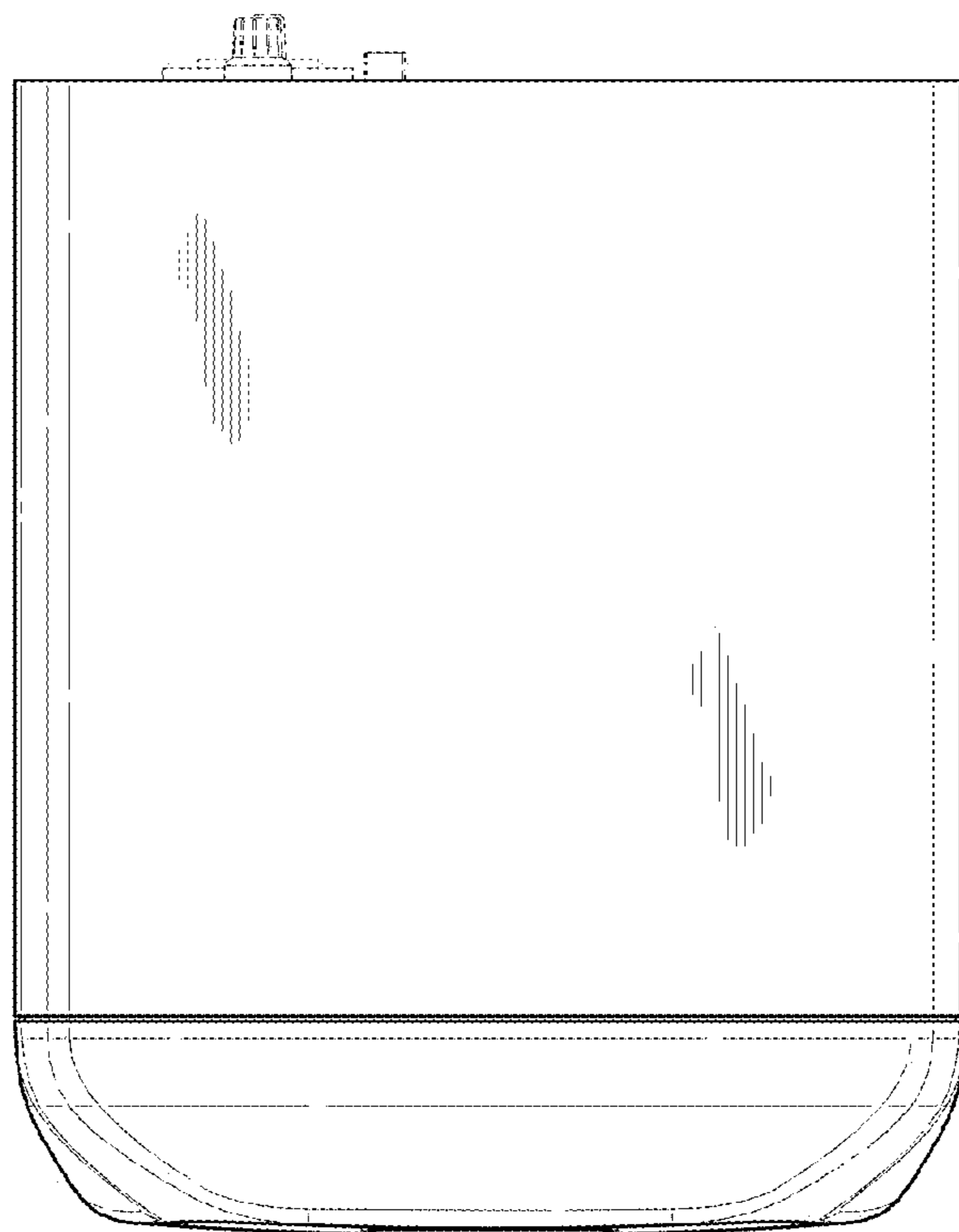


FIG. 6

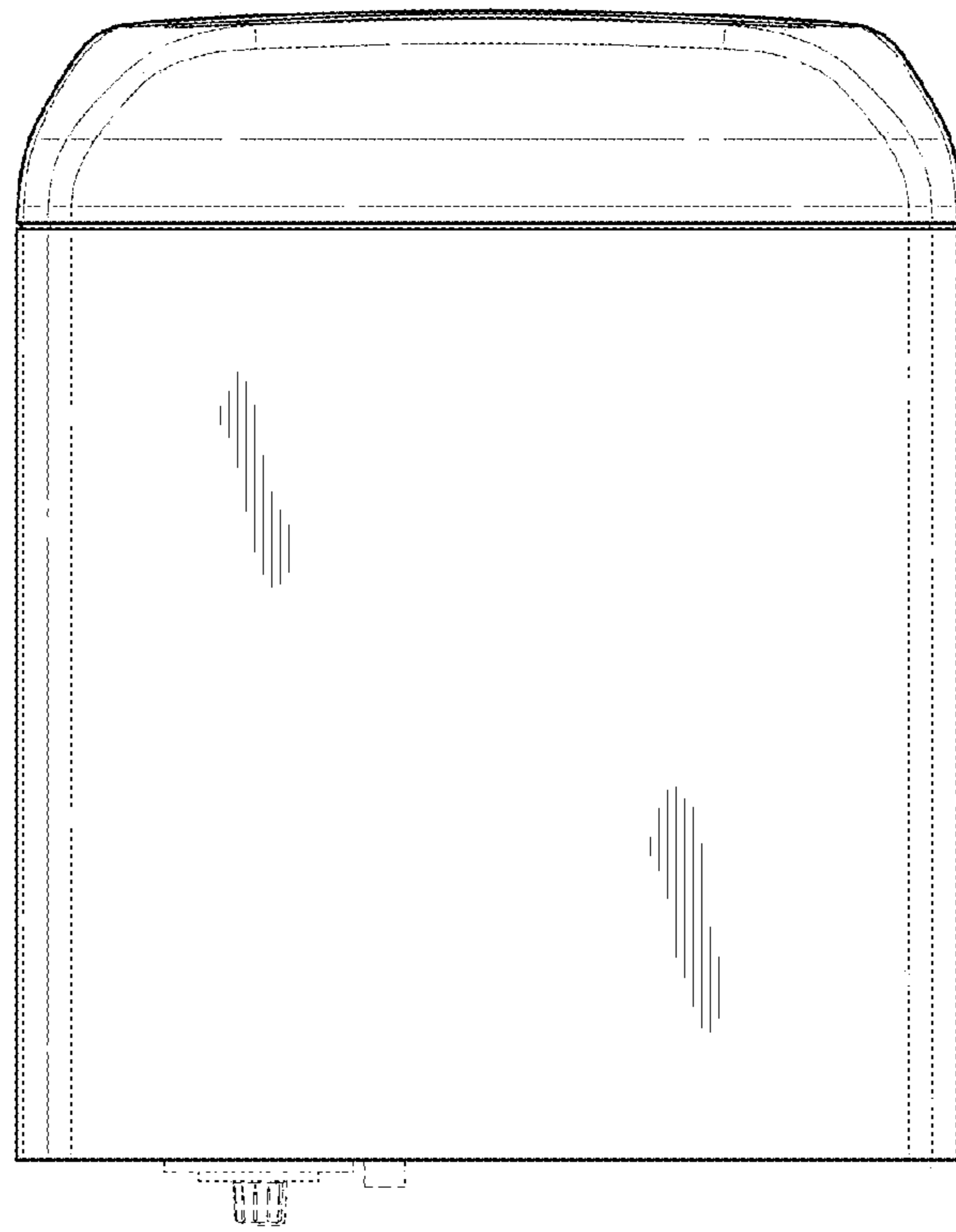


FIG. 7