



US00D748597S

(12) **United States Design Patent**
Boynton et al.

(10) **Patent No.:** **US D748,597 S**

(45) **Date of Patent:** **** Feb. 2, 2016**

(54) **OUTDOOR CPE RADIO**

(71) Applicant: **Vivint, Inc.**, Provo, UT (US)

(72) Inventors: **Stephen Edward Boynton**, Spanish Fork, UT (US); **Abhijeet Bhattacharya**, Draper, UT (US)

(73) Assignee: **VIVINT, INC.**, Provo, UT (US)

(**) Term: **14 Years**

(21) Appl. No.: **29/496,534**

(22) Filed: **Jul. 14, 2014**

(51) **LOC (10) Cl.** **14-03**

(52) **U.S. Cl.**
USPC **D14/188**; D14/240

(58) **Field of Classification Search**
USPC D14/168–171, 188–198, 203.1,
D14/204–216, 498–511; 455/90.1–90.3,
455/344–355; 312/7.1; D13/184
CPC G04G 17/00; G04G 17/08; G04G 21/04;
H04B 1/06; H04B 1/08; H04B 1/086
See application file for complete search history.

(56) **References Cited**

U.S. PATENT DOCUMENTS

D342,250 S	*	12/1993	Beaumont	D13/184
D347,004 S	*	5/1994	Beaumont	D14/188
D374,673 S	*	10/1996	Beaumont	D13/184
D424,028 S	*	5/2000	Vaiani	D13/184
D431,230 S	*	9/2000	Began	D13/184
D483,353 S	*	12/2003	Hyogo	D14/240
D518,002 S	*	3/2006	Johanneck	D13/184
D558,737 S	*	1/2008	Poandl	D14/214

* cited by examiner

Primary Examiner — Sandra Morris

(74) *Attorney, Agent, or Firm* — Holland & Hart

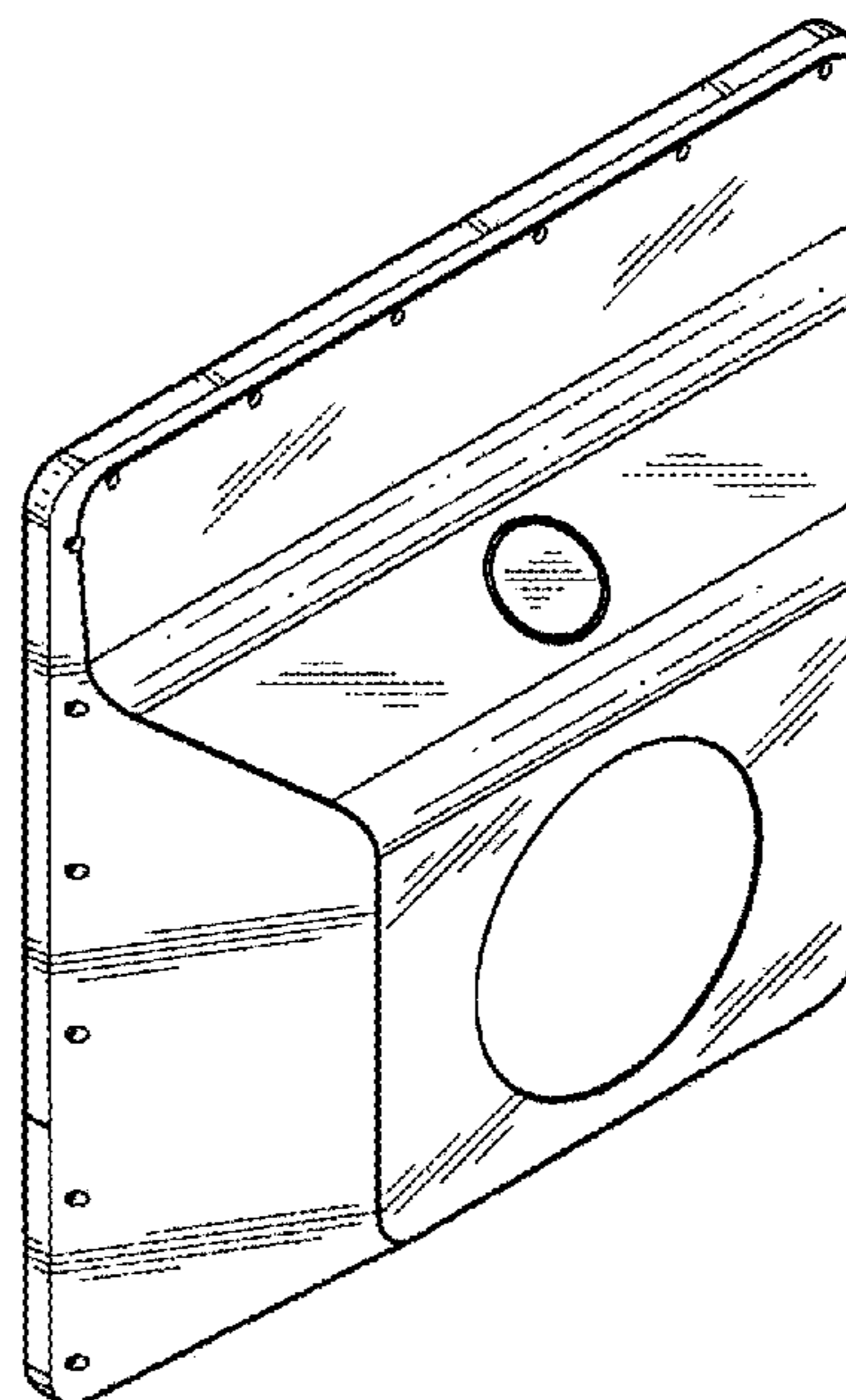
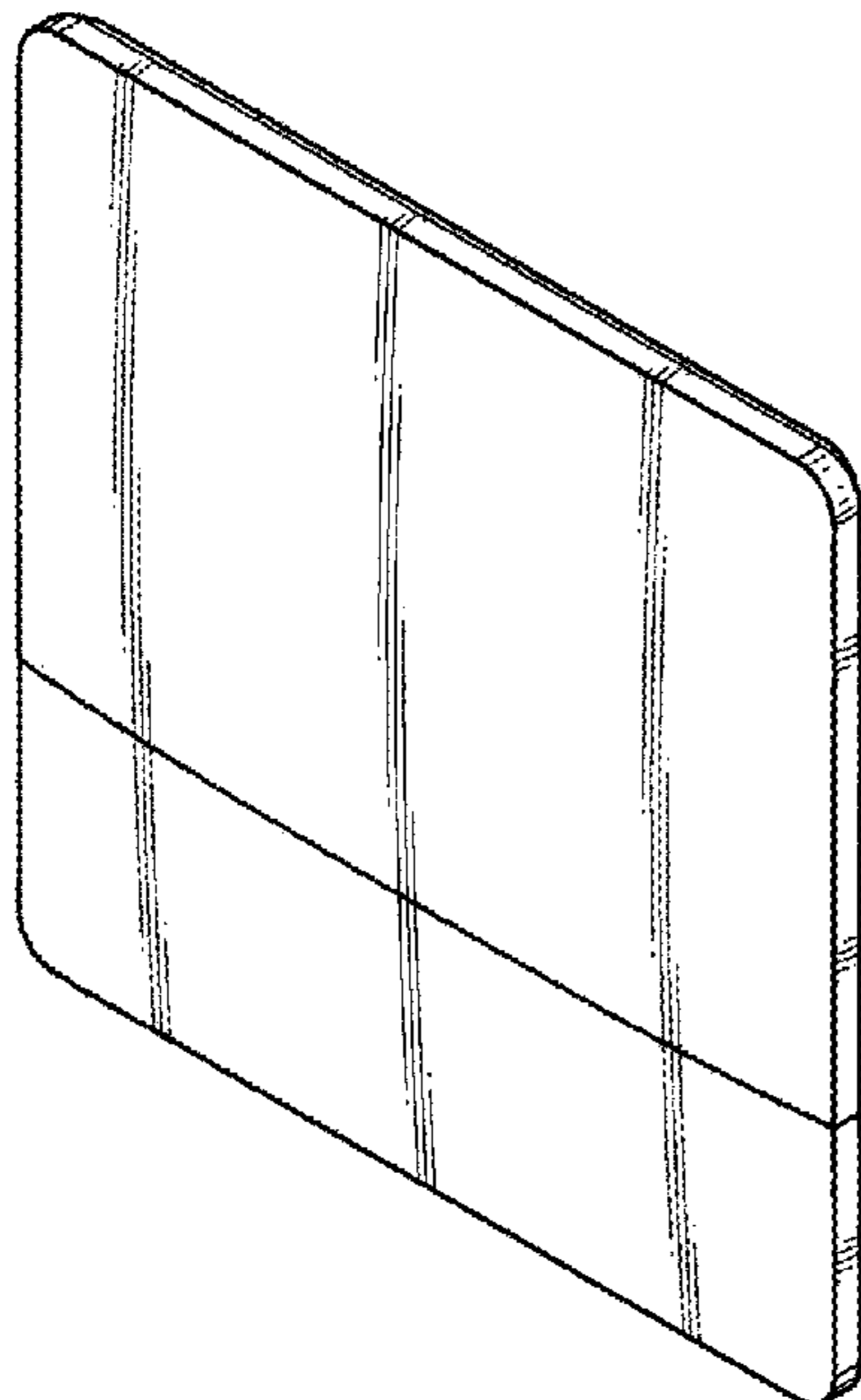
(57) **CLAIM**

The ornamental design for an “outdoor CPE radio,” as shown and described.

DESCRIPTION

FIG. 1 is a top perspective view of an outdoor CPE radio according to the present invention;
 FIG. 2 is a rear perspective view thereof;
 FIG. 3 is a front view thereof;
 FIG. 4 is a right side view thereof;
 FIG. 5 is a left side view thereof;
 FIG. 6 is a top view thereof;
 FIG. 7 is a bottom view thereof;
 FIG. 8 is a rear view thereof;
 FIG. 9 is a top perspective view of an alternative embodiment of an outdoor CPE radio design according to the present invention;
 FIG. 10 is a rear perspective view of the alternative embodiment thereof;
 FIG. 11 is a front perspective view of the alternative embodiment thereof;
 FIG. 12 is a right side perspective view of the alternative embodiment thereof;
 FIG. 13 is a left side perspective view of the alternative embodiment thereof;
 FIG. 14 is a top view of the alternative embodiment thereof;
 FIG. 15 is a bottom view of the alternative embodiment thereof; and,
 FIG. 16 is a rear view of the alternative embodiment thereof.

1 Claim, 6 Drawing Sheets



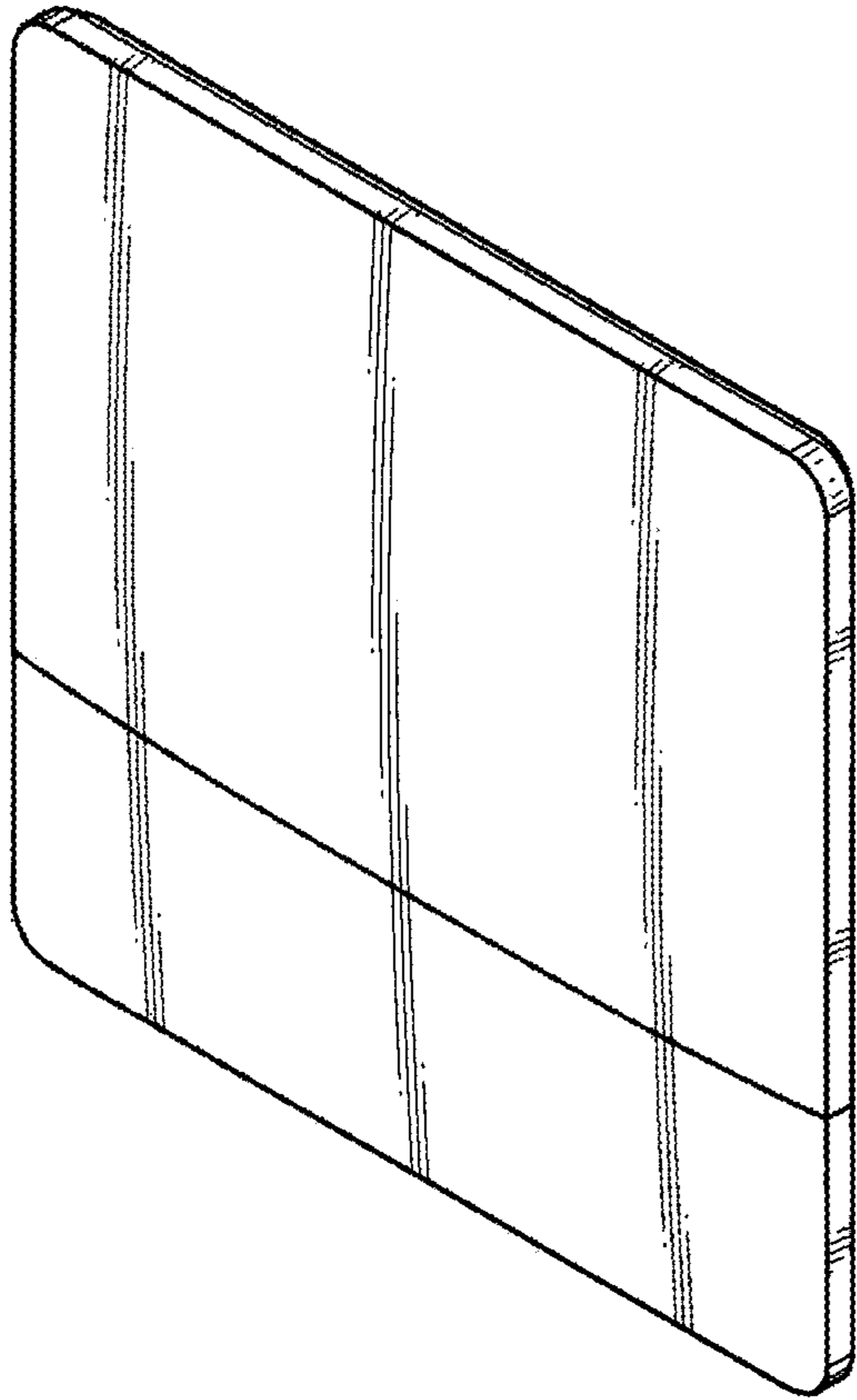


FIG. 1

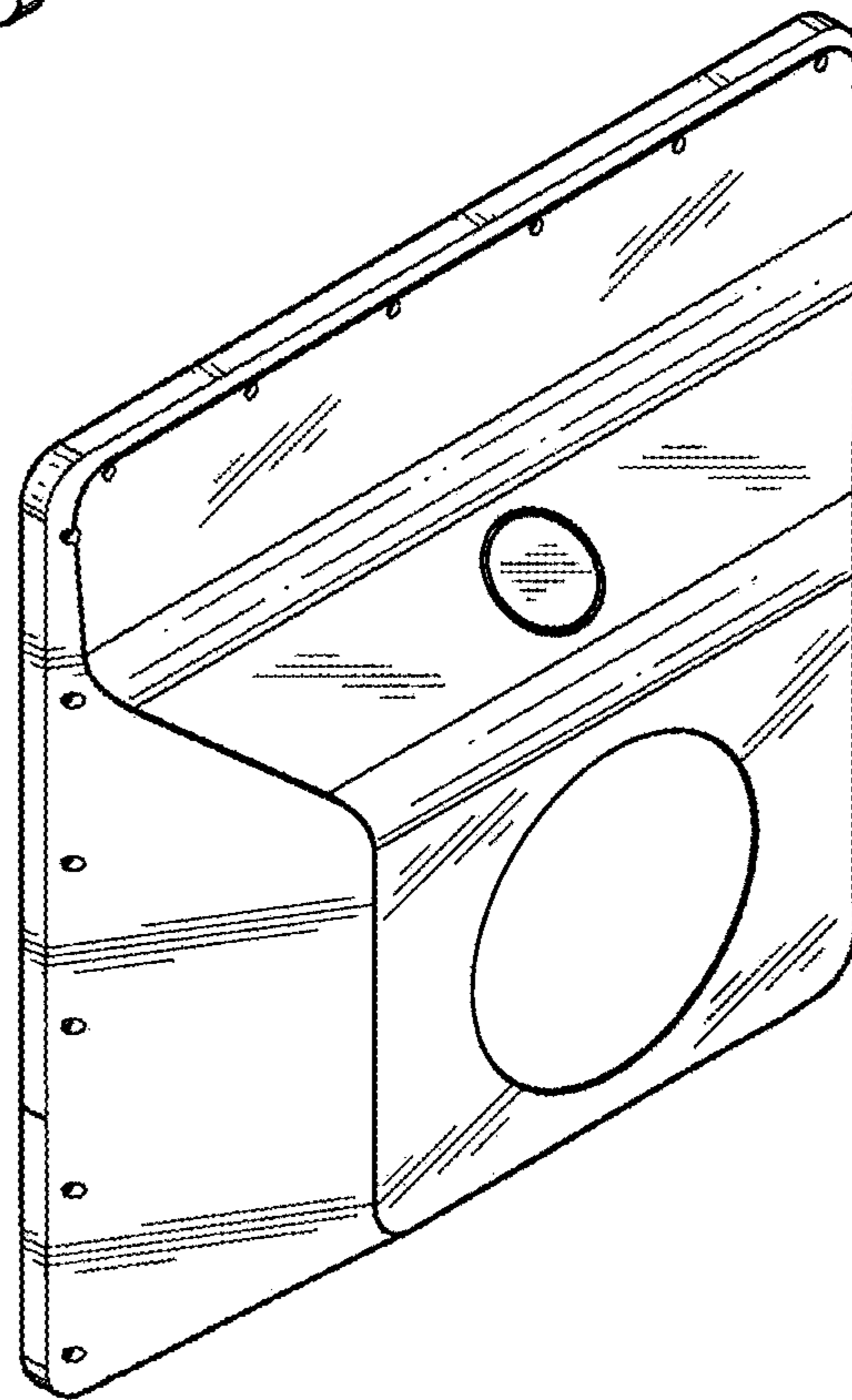


FIG. 2

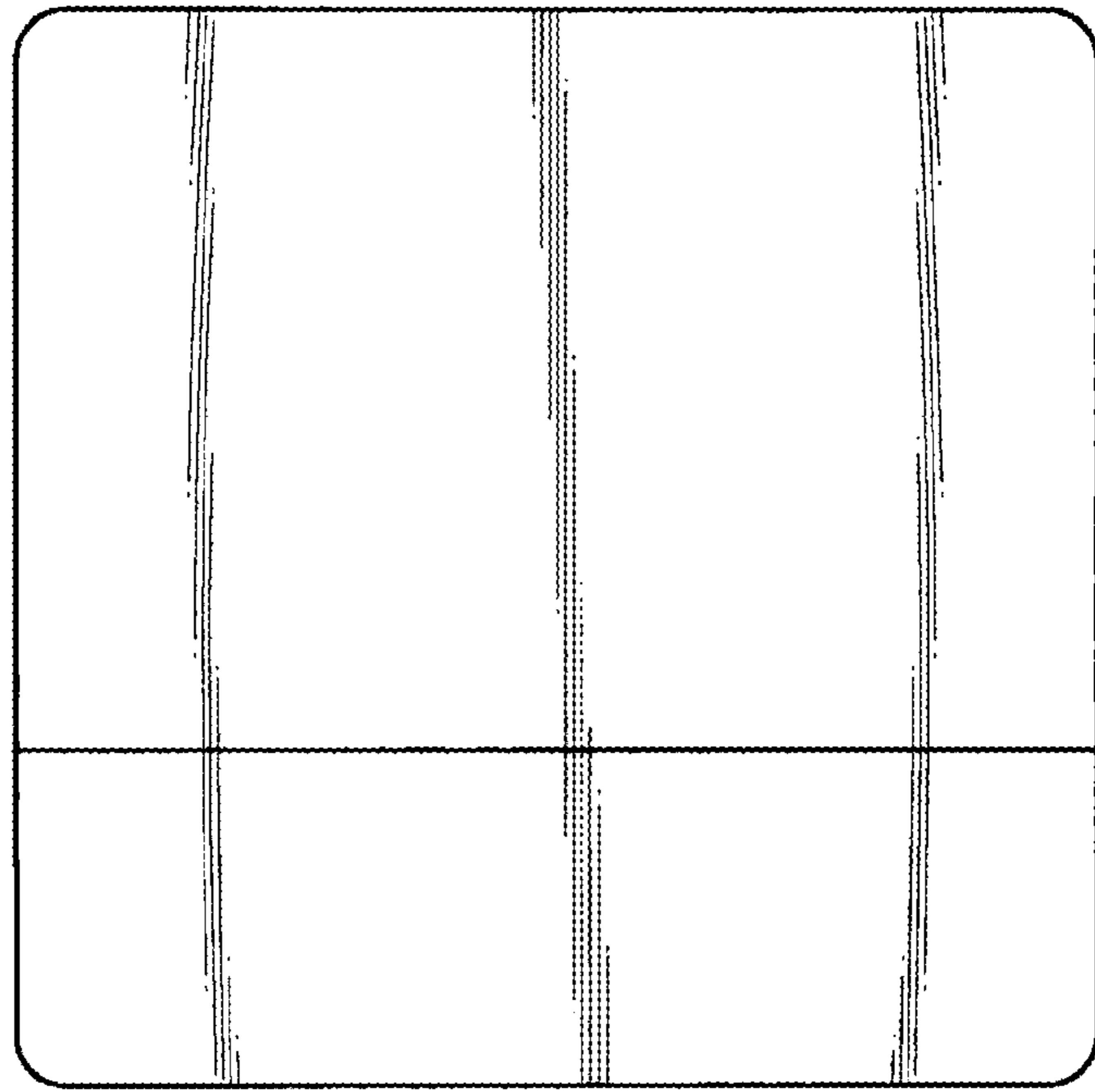


FIG. 3

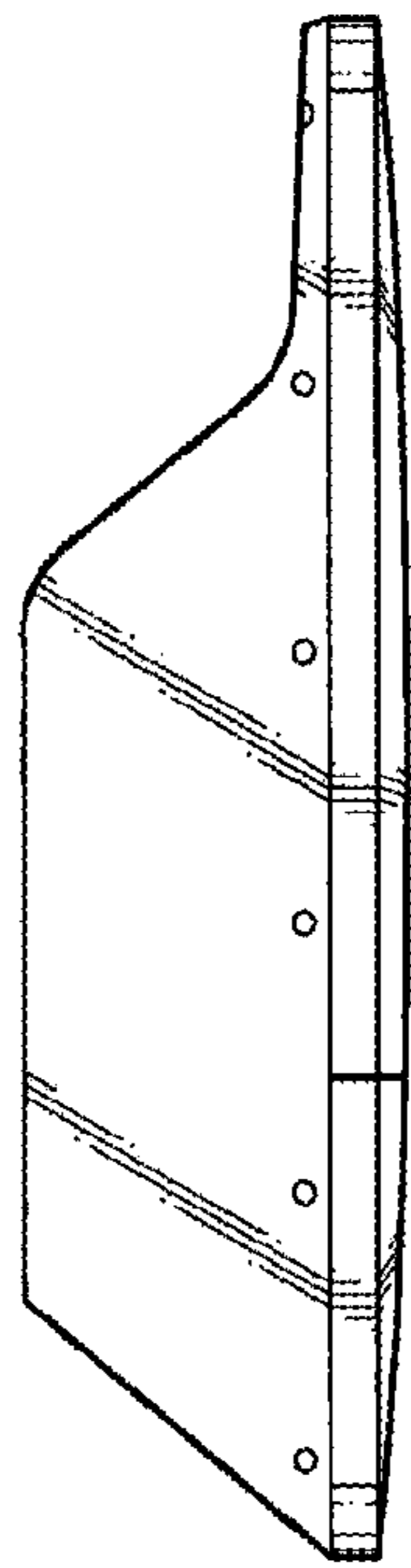


FIG. 4

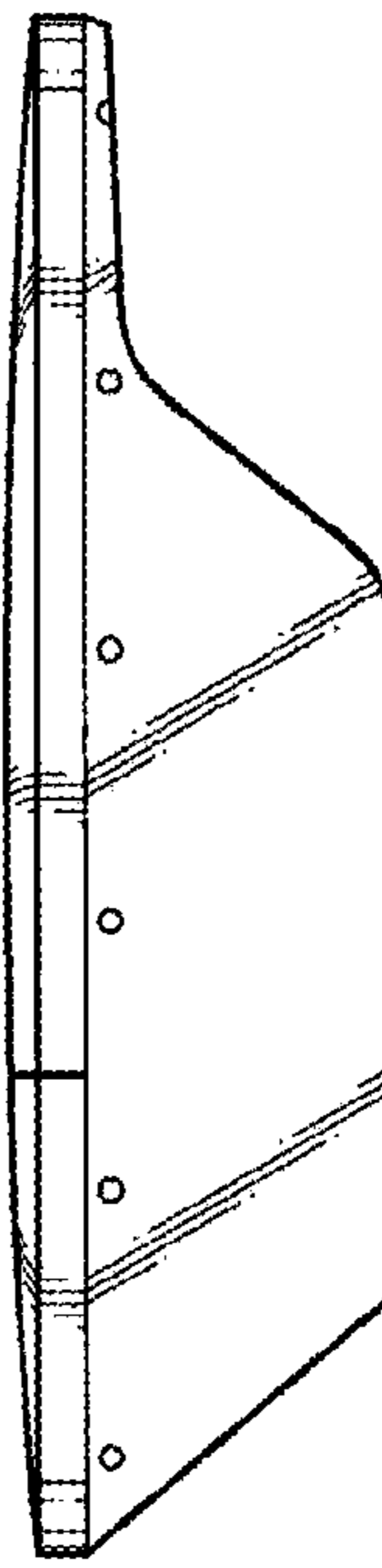


FIG. 5

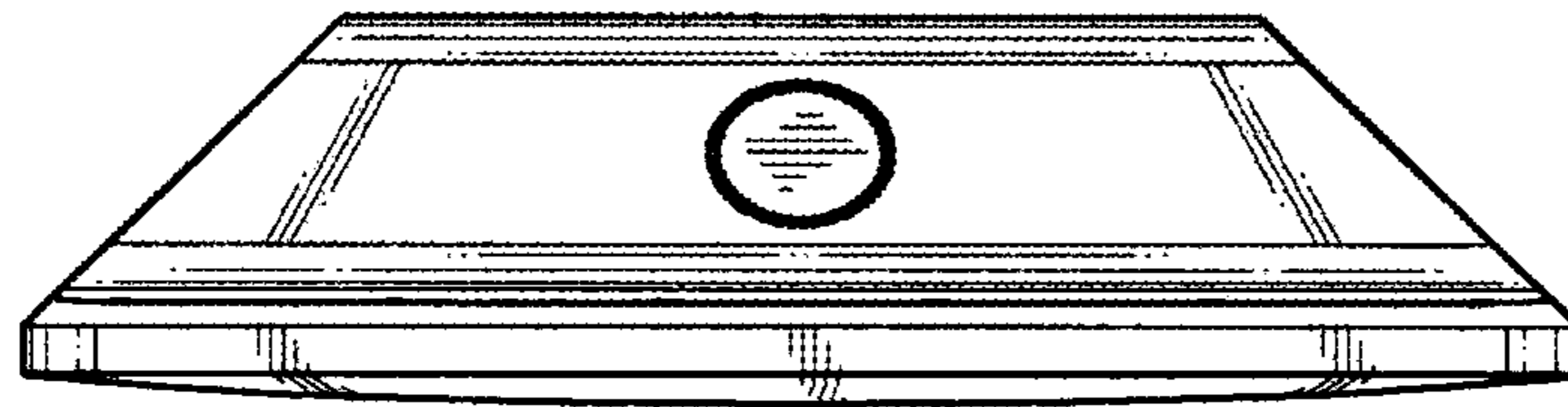


FIG. 6

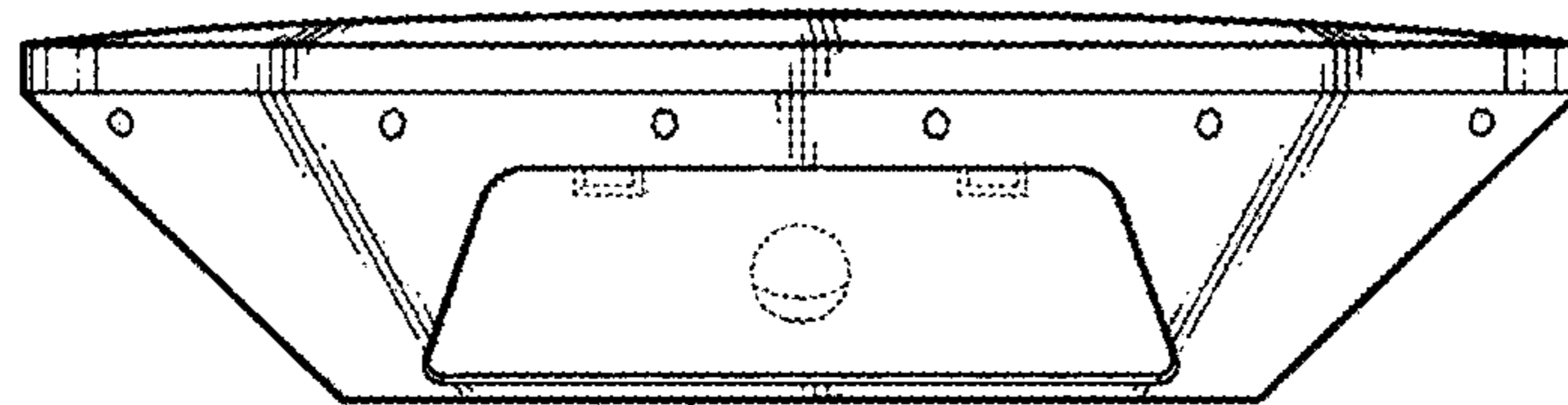


FIG. 7

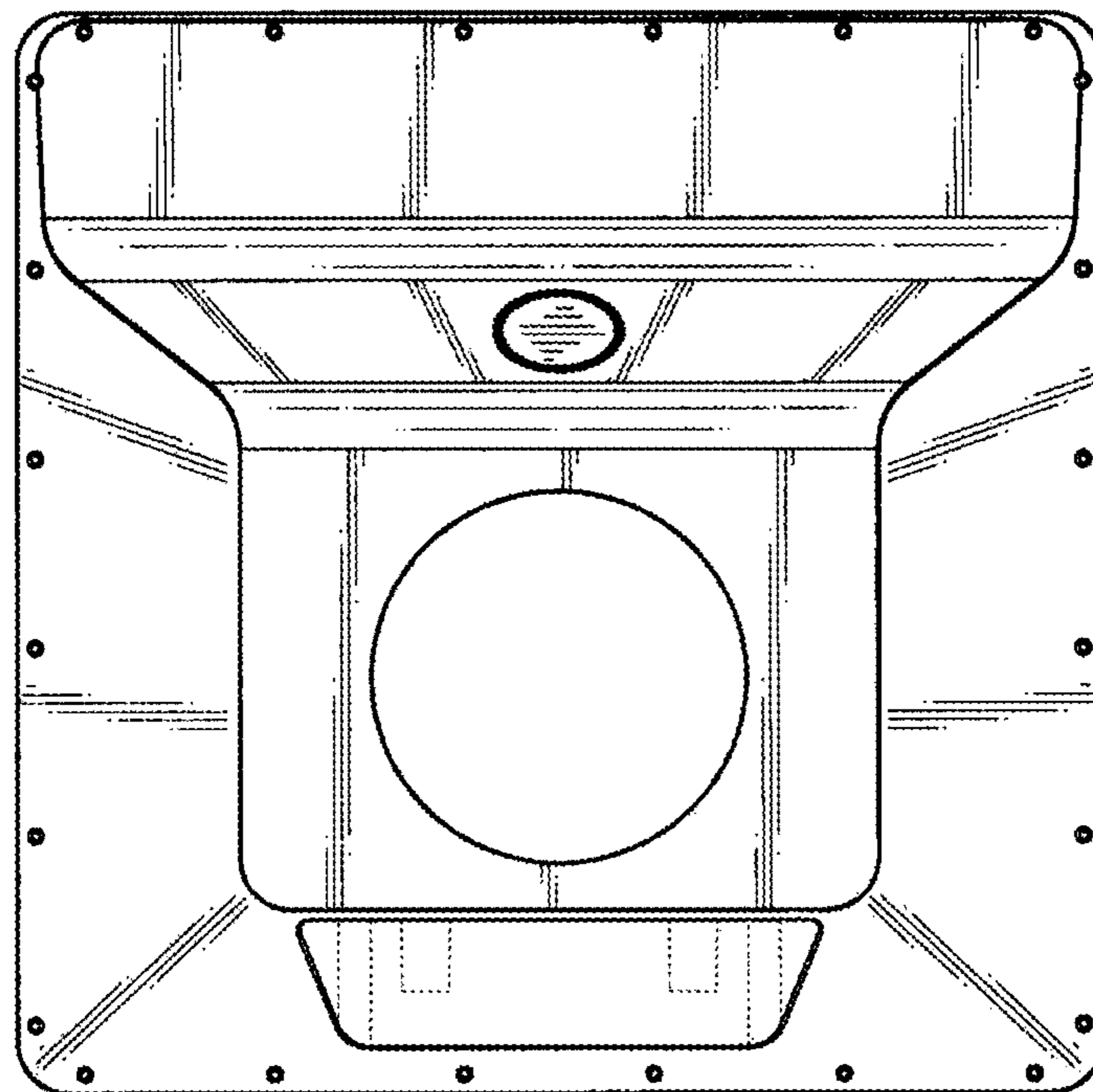


FIG. 8

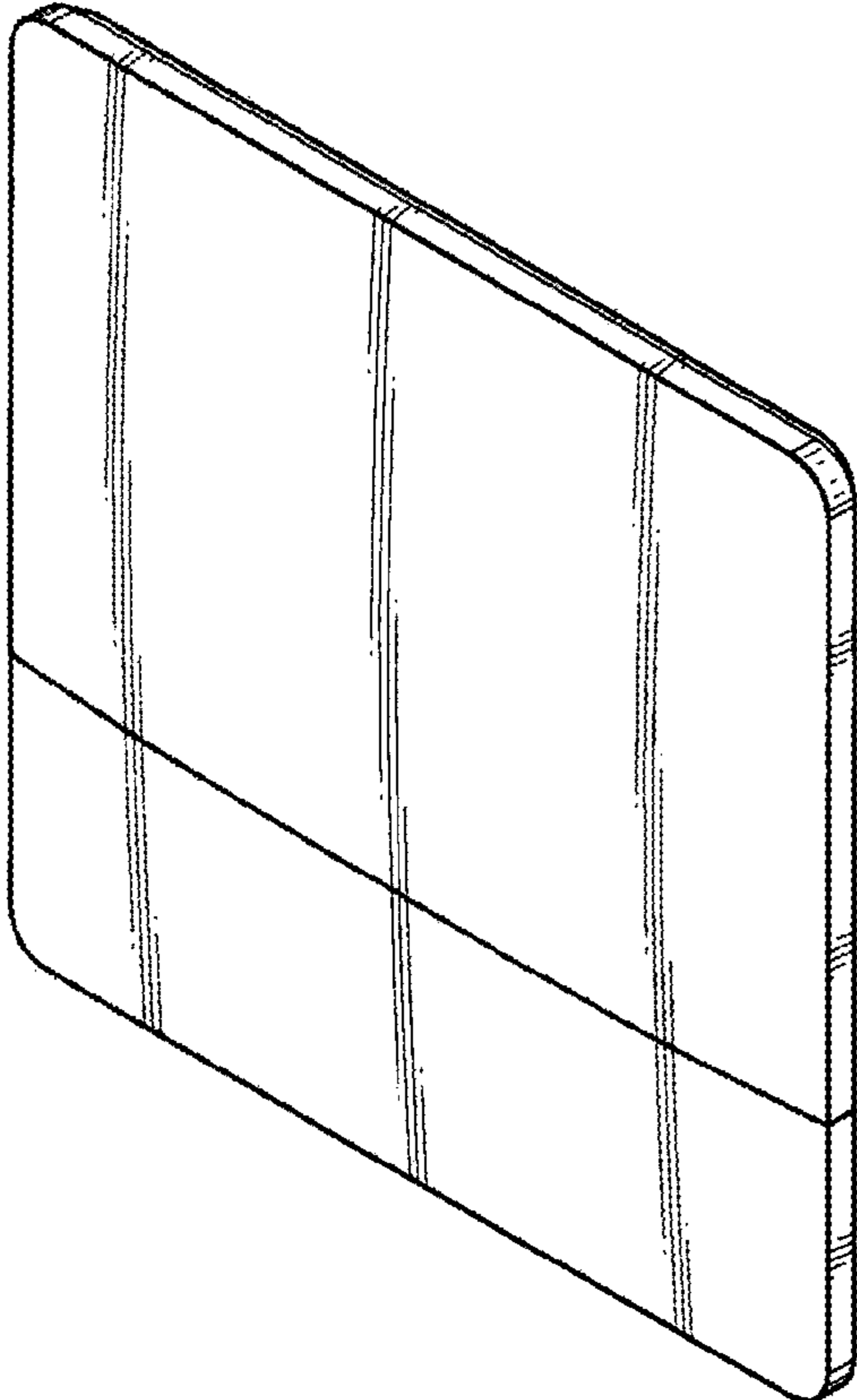


FIG. 9

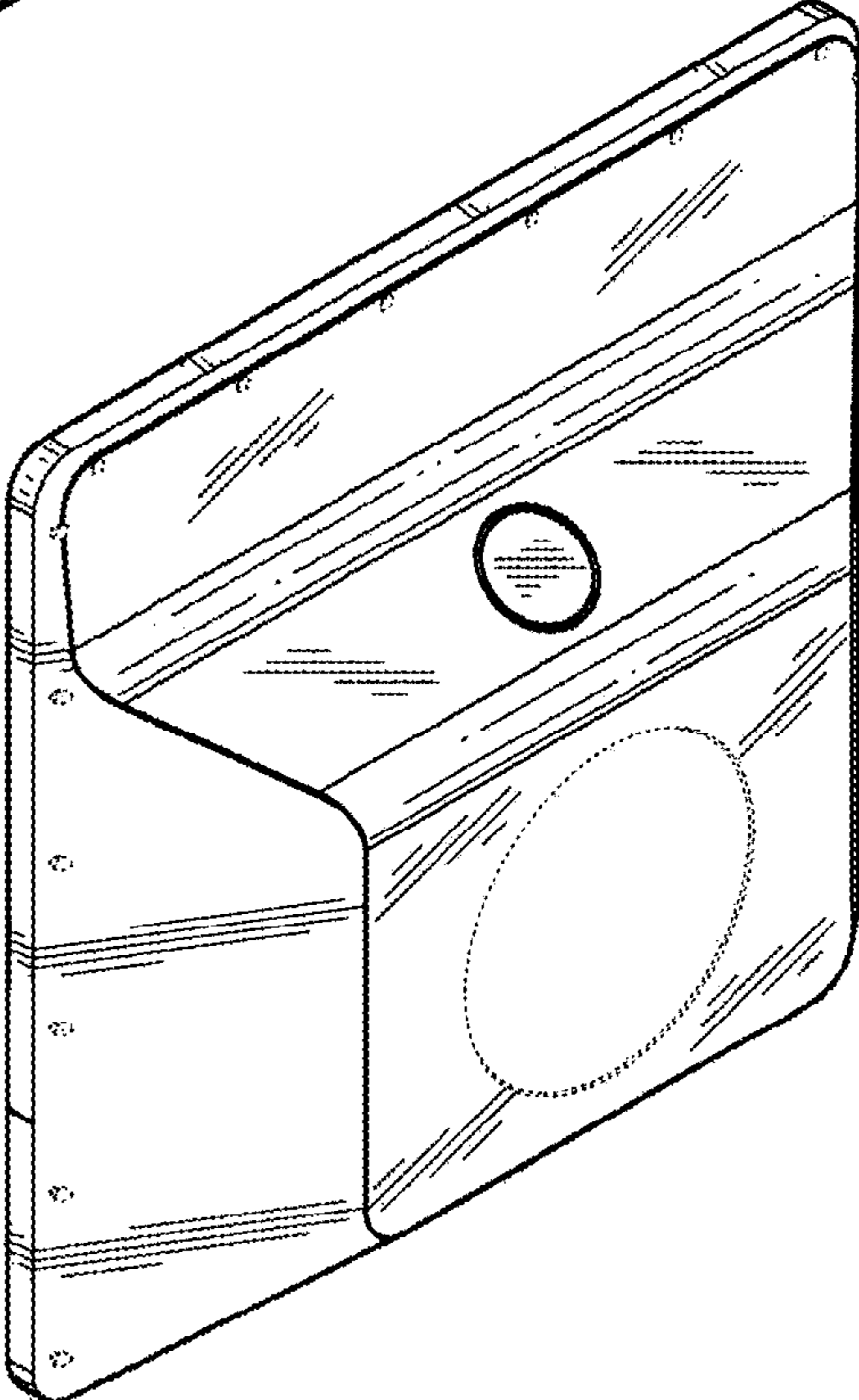


FIG. 10

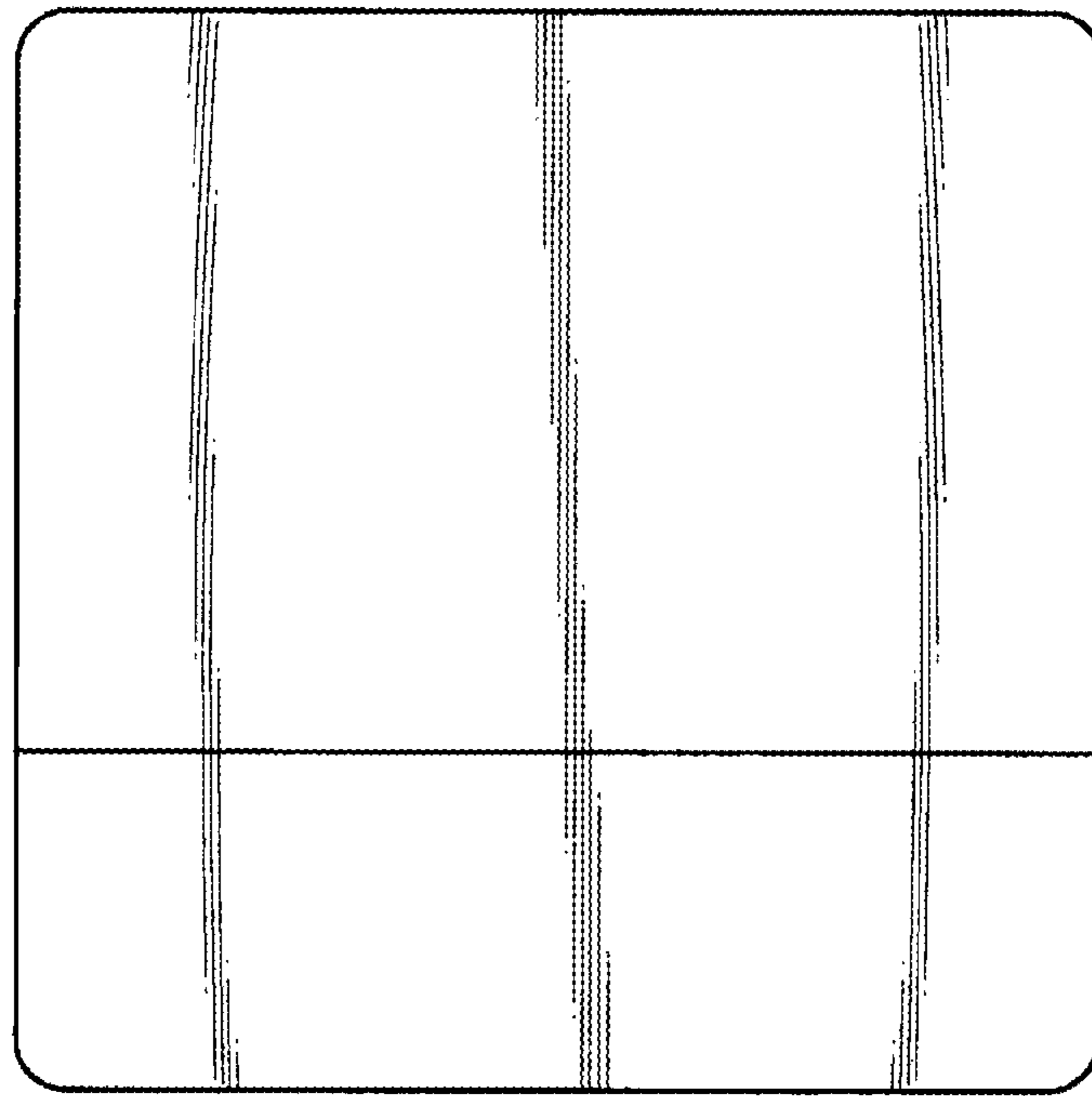


FIG. 11

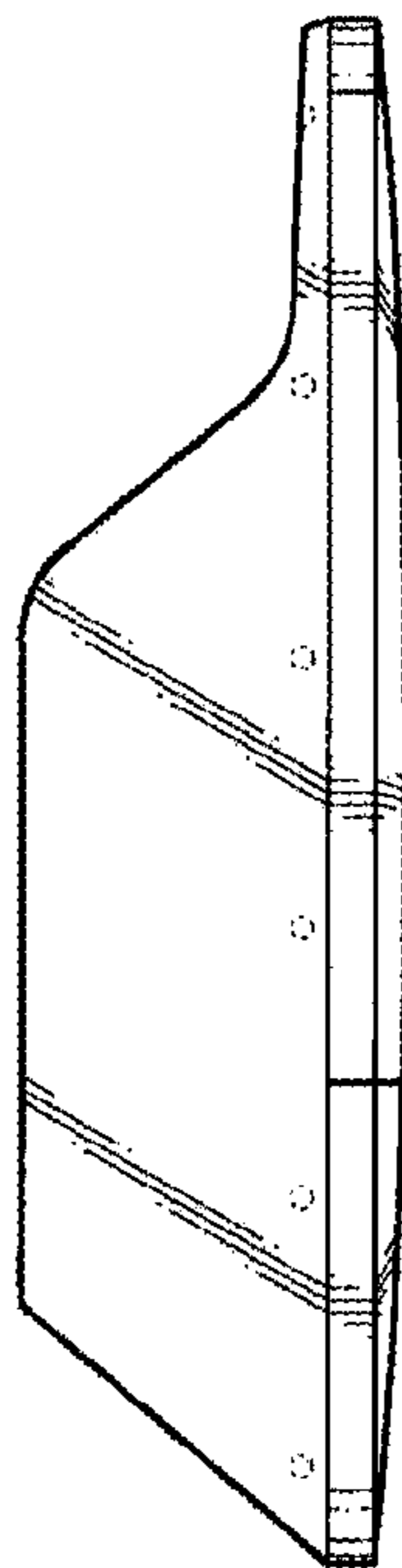


FIG. 12

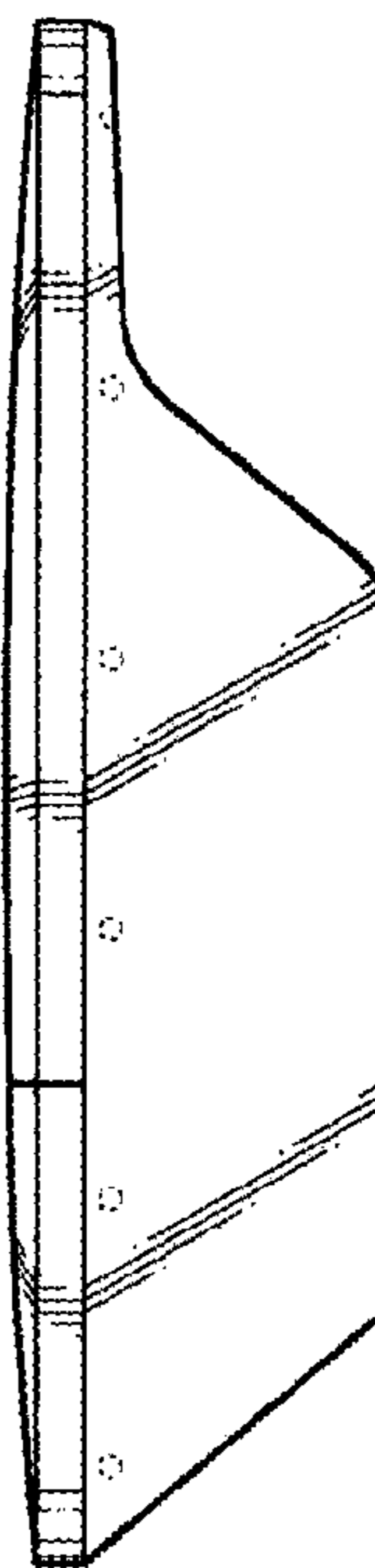


FIG. 13

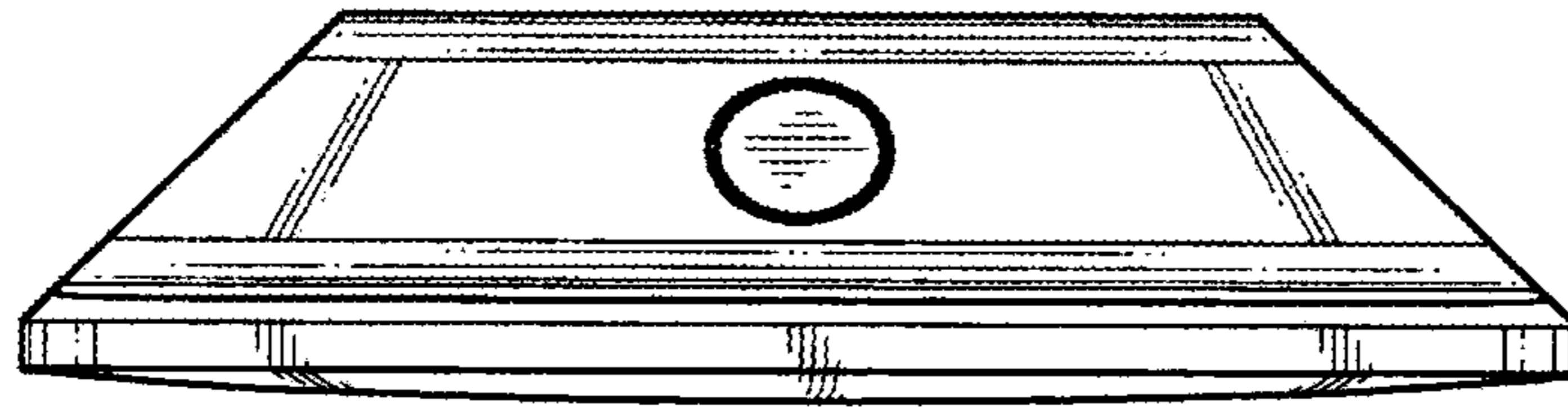


FIG. 14

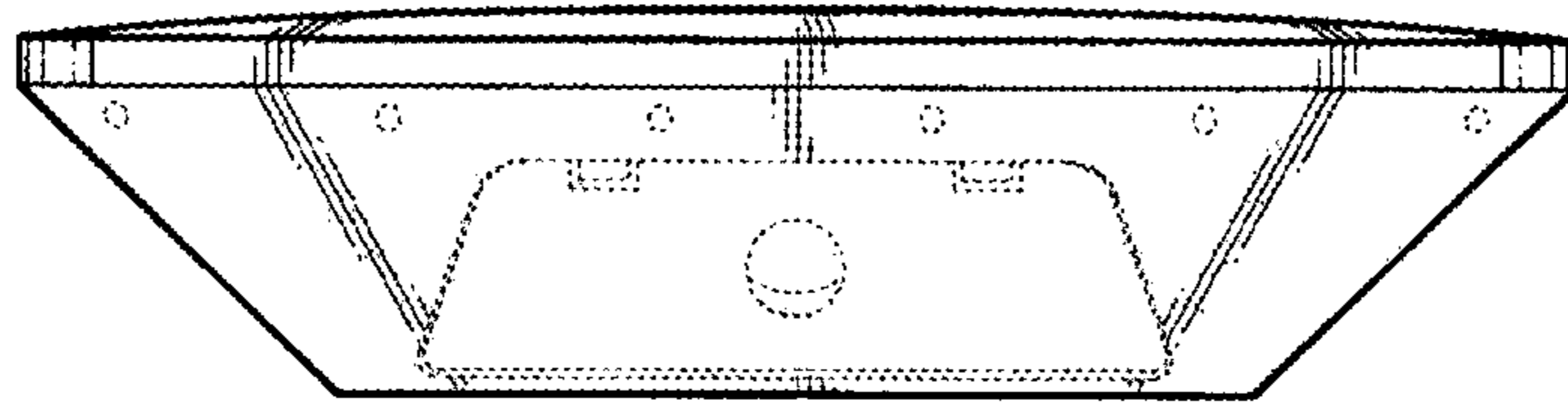


FIG. 15

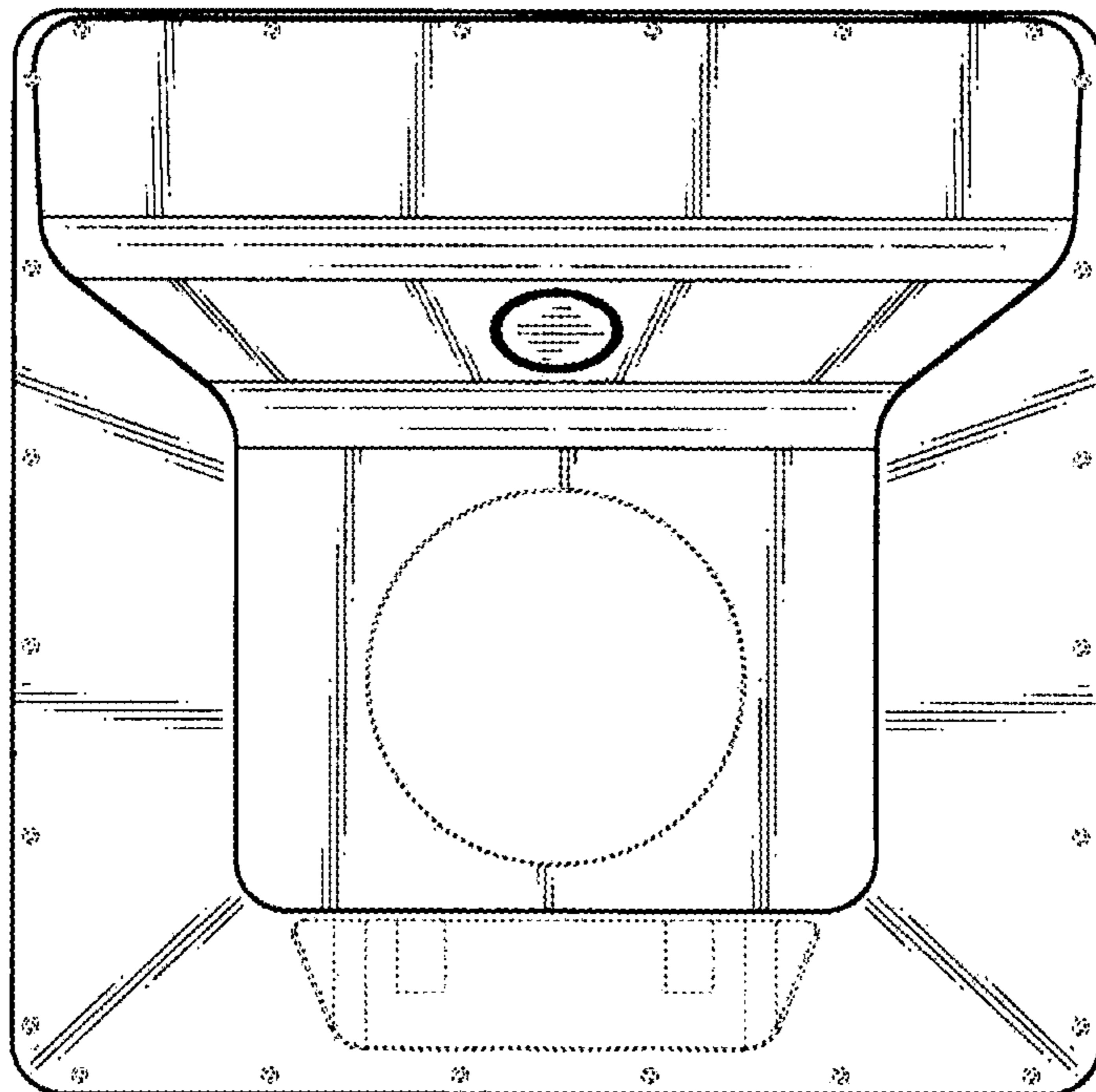


FIG. 16