



US00D748592S

(12) **United States Design Patent**
Yeh et al.

(10) **Patent No.:** **US D748,592 S**

(45) **Date of Patent:** **** Feb. 2, 2016**

(54) **LIGHT EMITTING DIODE DEVICE**

(71) Applicant: **EPISTAR CORPORATION**, Hsinchu (TW)

(72) Inventors: **Hui-Chun Yeh**, Hsinchu (TW);
Chien-Fu Shen, Hsinchu (TW);
Tsun-Kai Ko, Hsinchu (TW)

(73) Assignee: **EPISTAR CORPORATION**, Hsinchu (TW)

(**) Term: **14 Years**

(21) Appl. No.: **29/520,237**

(22) Filed: **Mar. 12, 2015**

Related U.S. Application Data

(63) Continuation of application No. 29/483,864, filed on Mar. 4, 2014, now Pat. No. Des. 728,494.

(51) **LOC (10) Cl.** **13-03**

(52) **U.S. Cl.**
USPC **D13/180**

(58) **Field of Classification Search**
USPC D13/180; D26/1
CPC ... H01L 25/167; H01L 25/0753; H01L 27/15;
H01L 27/156; H01L 31/02; H01L 33/00;
H01L 33/04; H01L 33/08; H01L 33/10;
H01L 33/20; H01L 33/38; H01L 33/42;
H01L 33/48; H01L 33/62; H01L 33/483;
H01L 33/486; F21K 9/00; F21K 9/30; F21K
9/54

See application file for complete search history.

(56) **References Cited**

U.S. PATENT DOCUMENTS

D579,019 S * 10/2008 Lei et al. D14/435
D648,287 S * 11/2011 Hsu et al. D13/180
D656,908 S * 4/2012 Hsu et al. D13/180
8,188,504 B2 * 5/2012 Lee 257/99

D681,564 S * 5/2013 Hsu et al. D13/180
D681,569 S * 5/2013 Yeh et al. D13/180
D684,550 S * 6/2013 Yeh et al. D13/180
8,546,840 B2 * 10/2013 Inoue et al. 257/99
D697,490 S * 1/2014 Yeh et al. D13/180
D707,641 S * 6/2014 Lu et al. D13/180
D716,238 S * 10/2014 Yeh et al. D13/180
D728,494 S * 5/2015 Yeh et al. D13/180
2005/0212002 A1 * 9/2005 Sanga et al. 257/96
2006/0163604 A1 * 7/2006 Shin et al. 257/103

(Continued)

Primary Examiner — Selina Sikder

(74) *Attorney, Agent, or Firm* — Muncy, Geissler, Olds & Lowe, P.C.

(57) **CLAIM**

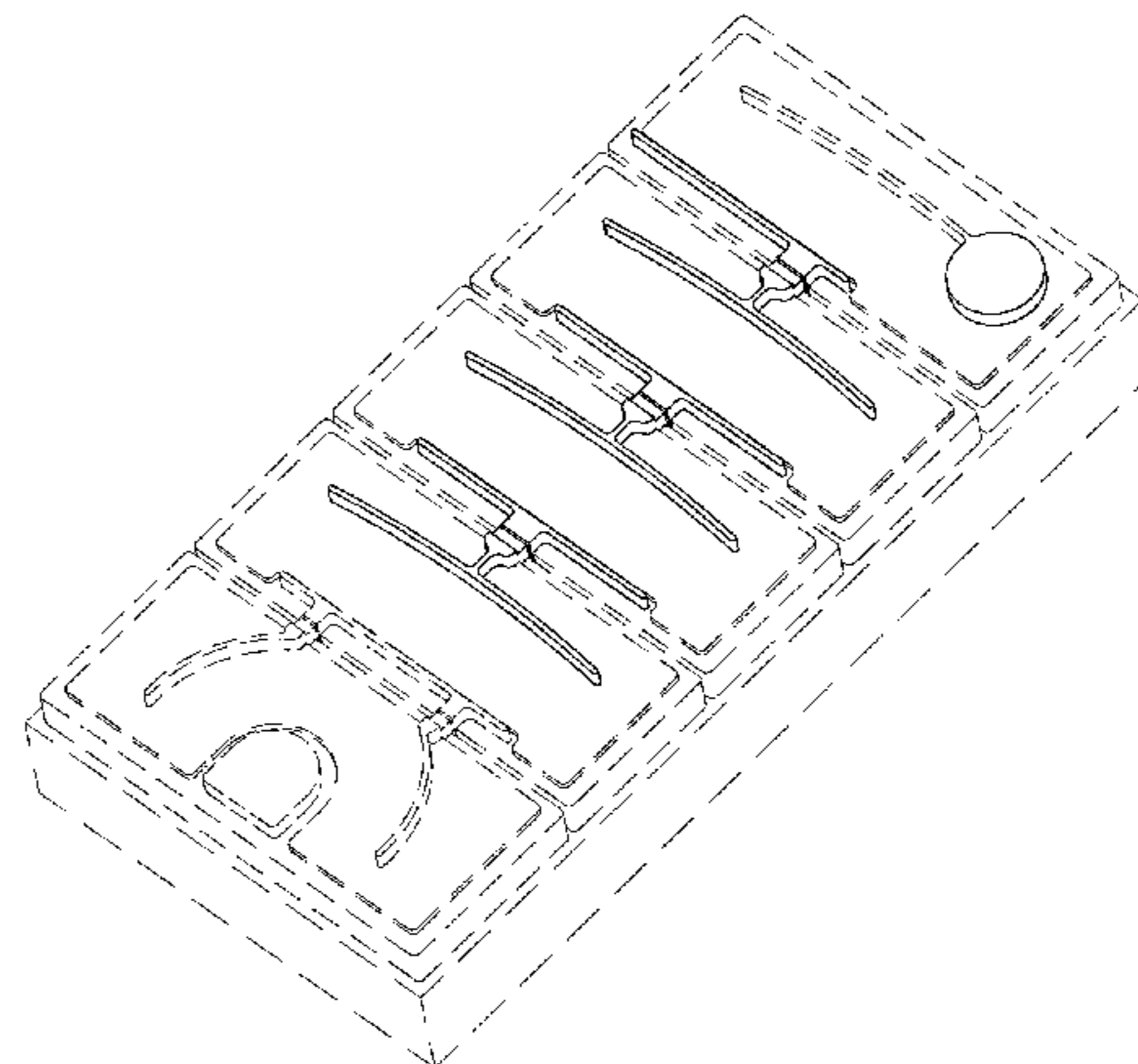
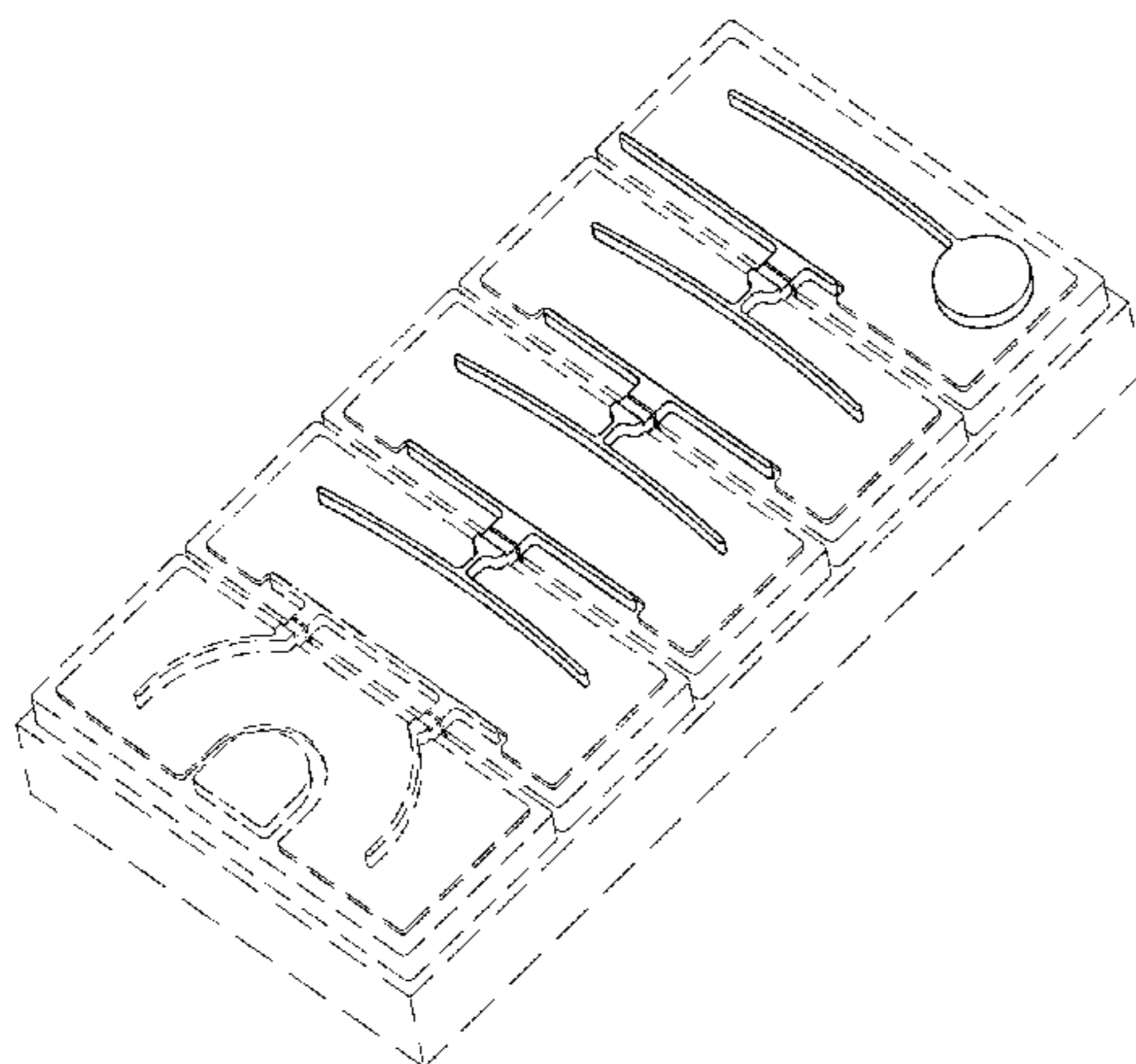
The ornamental design for a light emitting diode device, as shown and described.

DESCRIPTION

FIG. 1 is a perspective view of a light emitting diode device showing our first example of the new design; FIG. 2 is another perspective view thereof; FIG. 3 is a front elevational view thereof; FIG. 4 is a rear elevational view thereof; FIG. 5 is a left side view thereof; FIG. 6 is a right side view thereof; FIG. 7 is a top plan view thereof; FIG. 8 is a bottom plan view thereof; FIG. 9 is a perspective view of a light emitting diode device showing our second example of the new design; FIG. 10 is another perspective view thereof; FIG. 11 is a front elevational view thereof; FIG. 12 is a rear elevational view thereof; FIG. 13 is a left side view thereof; FIG. 14 is a right side view thereof; FIG. 15 is a top plan view thereof; and, FIG. 16 is a bottom plan view thereof.

The broken line showing is for the purpose of illustrating environmental structure only and forms no part of the claimed design.

1 Claim, 12 Drawing Sheets



US D748,592 S

Page 2

(56)

References Cited

U.S. PATENT DOCUMENTS

2011/0215363	A1 *	9/2011	Kimura et al.	257/99	
2011/0272730	A1 *	11/2011	Bae et al.	257/99	* cited by examiner
2012/0018766	A1 *	1/2012	Emura	257/99	
2013/0009197	A1 *	1/2013	Seo et al.	257/99	
2014/0034901	A1 *	2/2014	Moon	257/13	

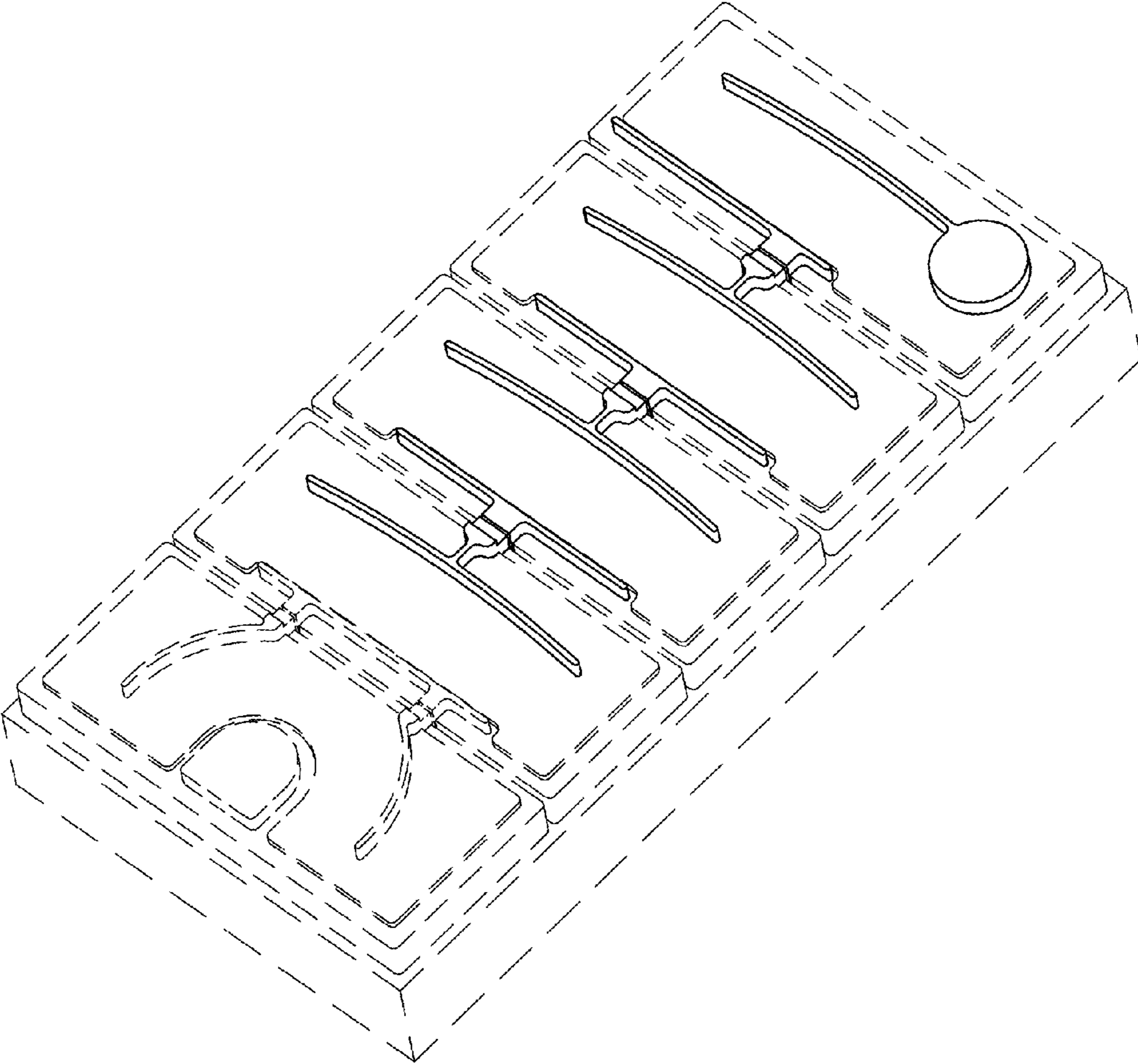


FIG. 1

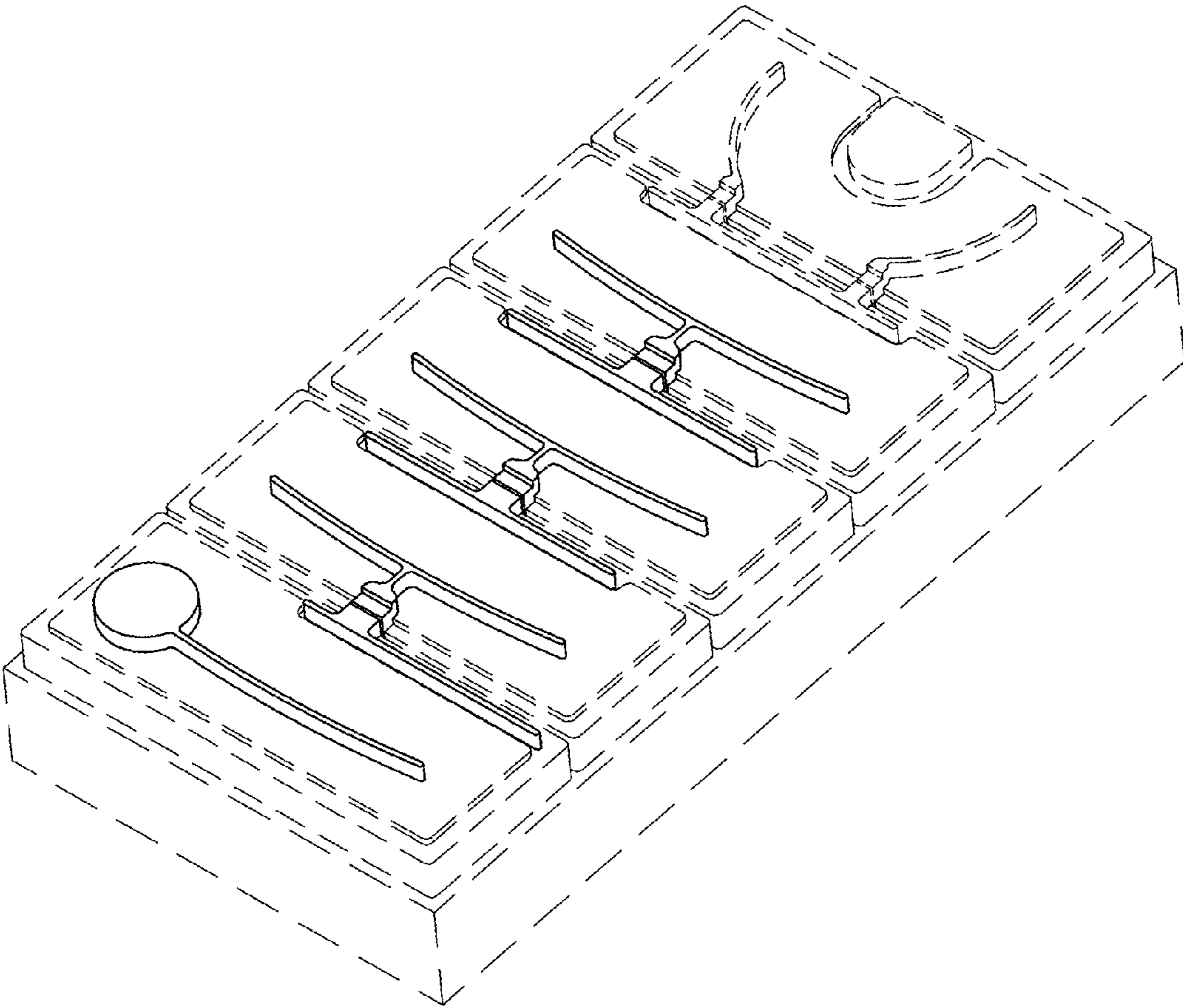


FIG. 2

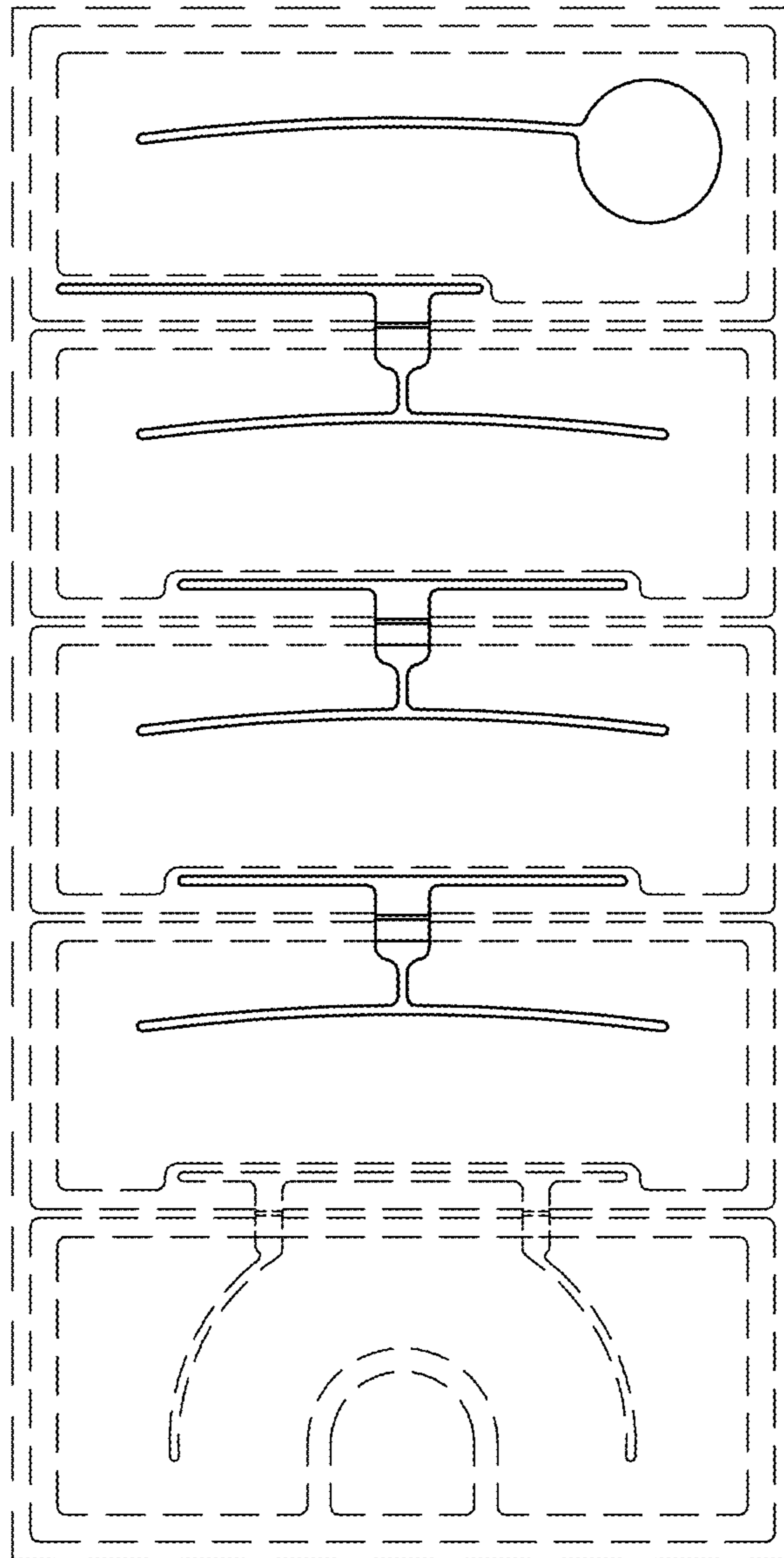


FIG. 3

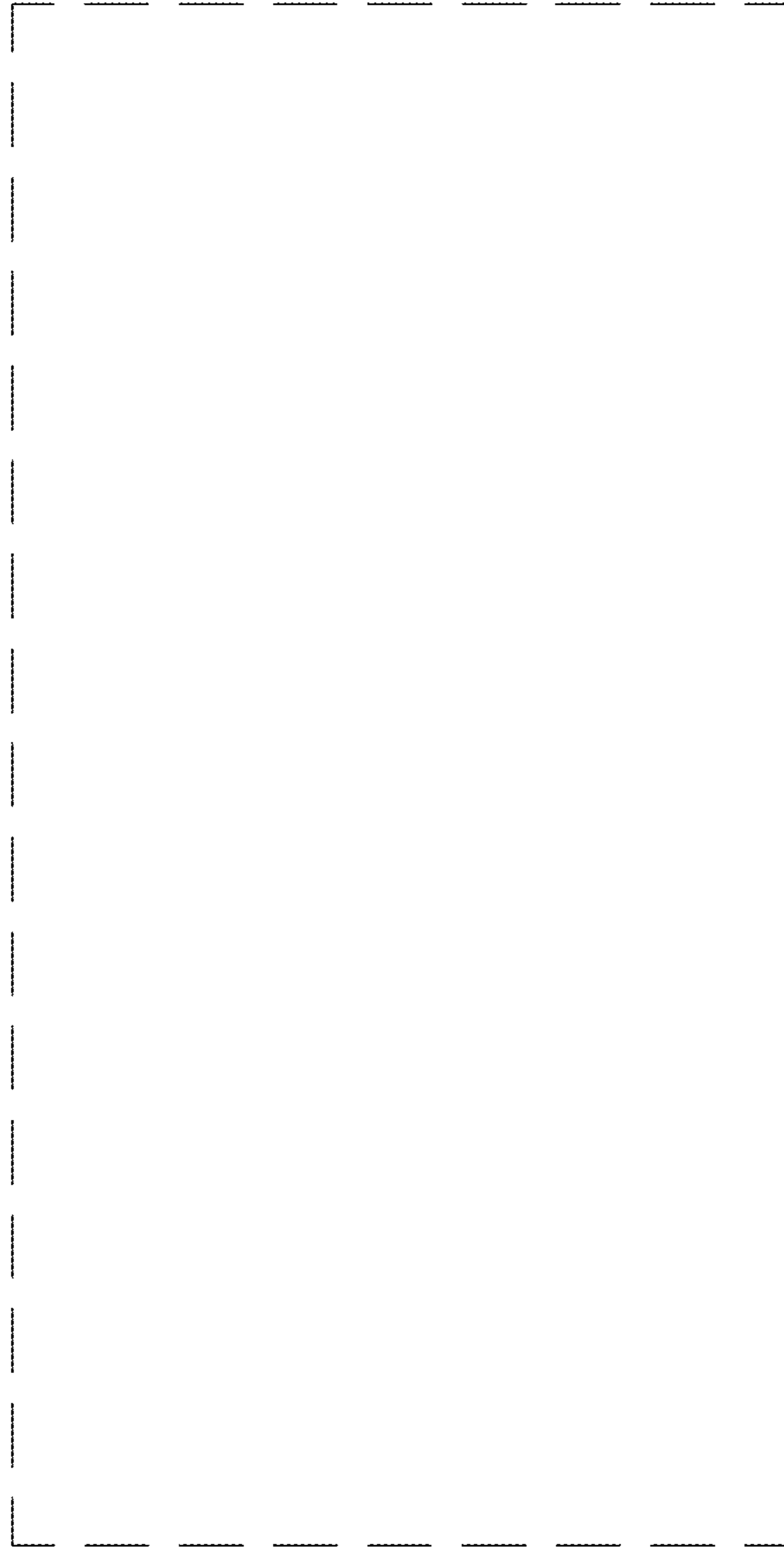


FIG. 4

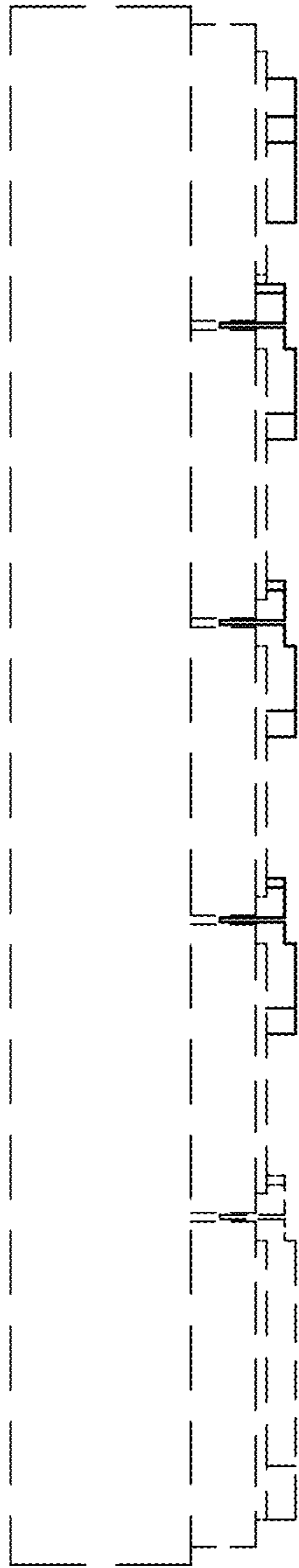


FIG. 5

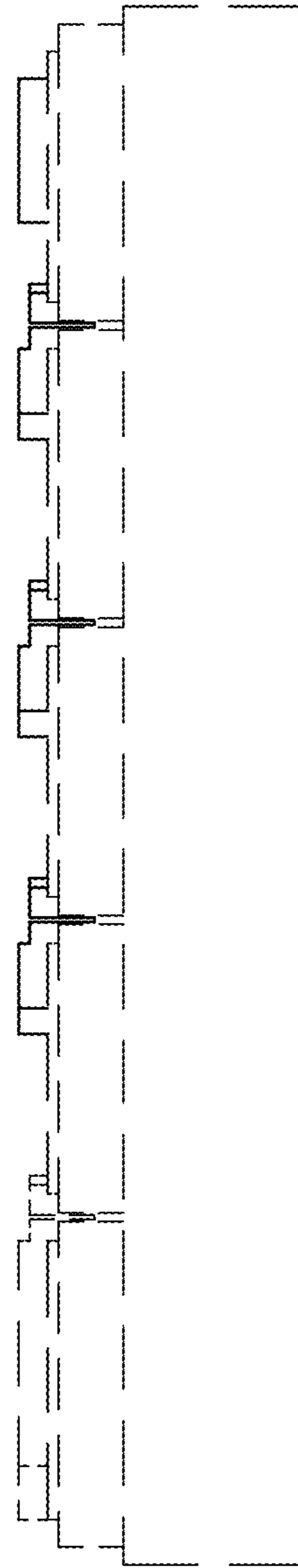


FIG. 6

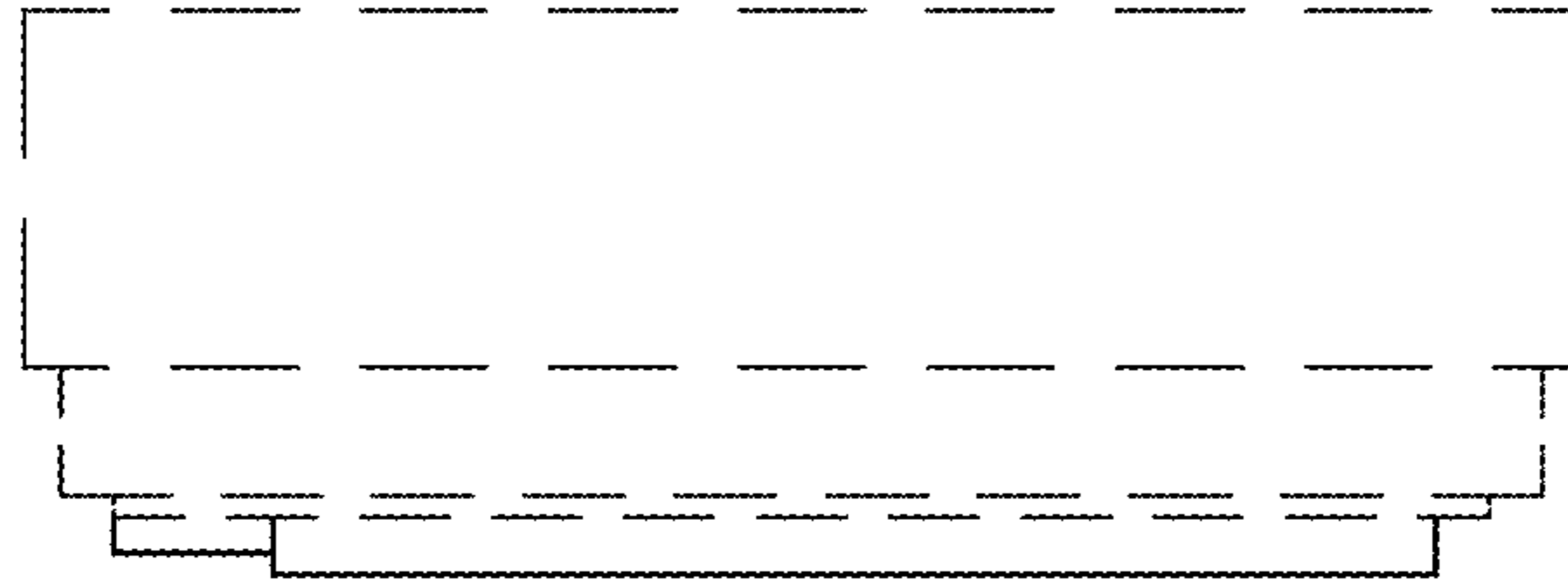


FIG. 7

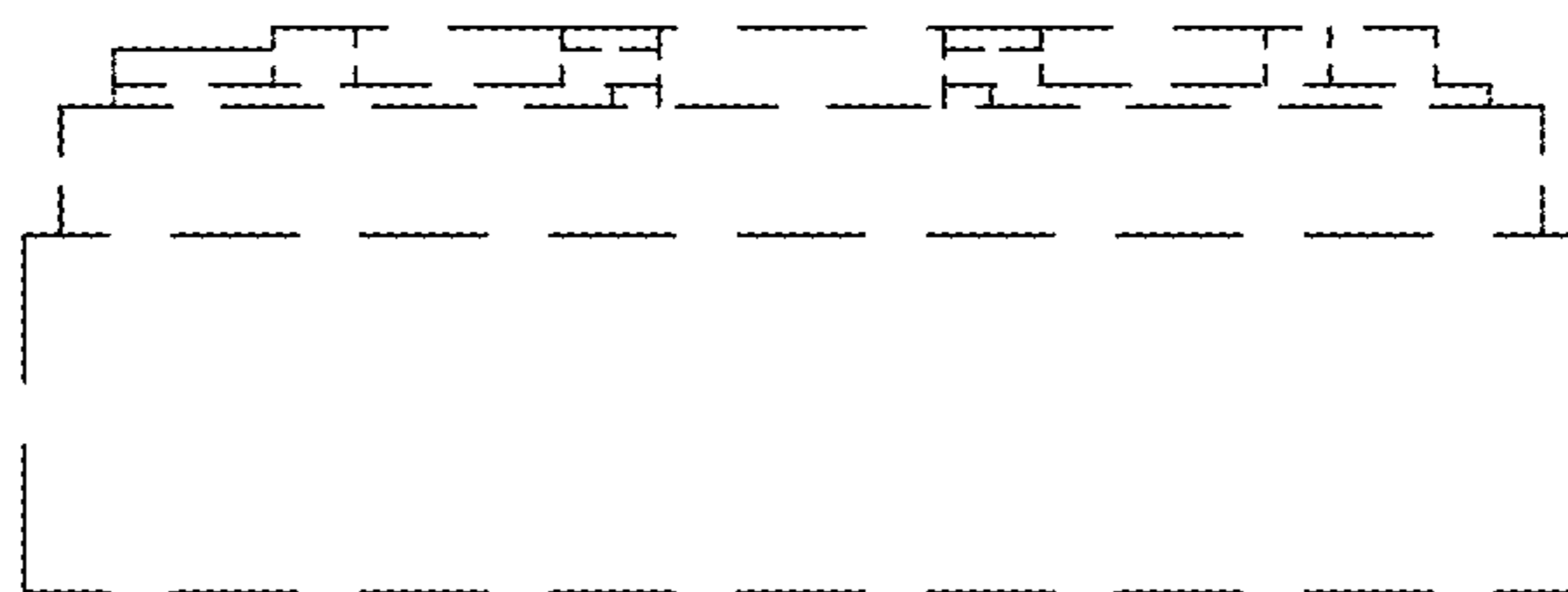


FIG. 8

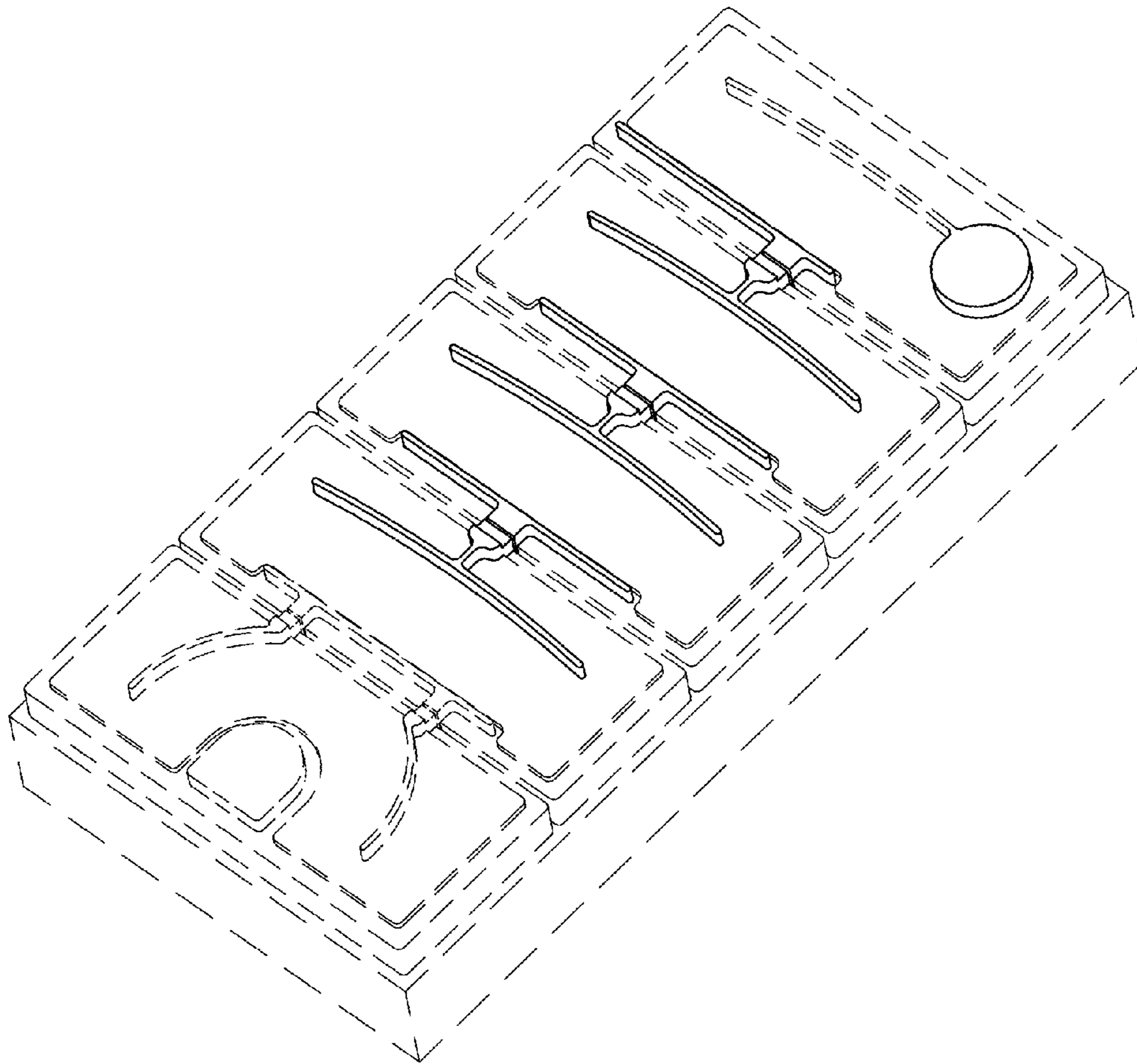


FIG. 9

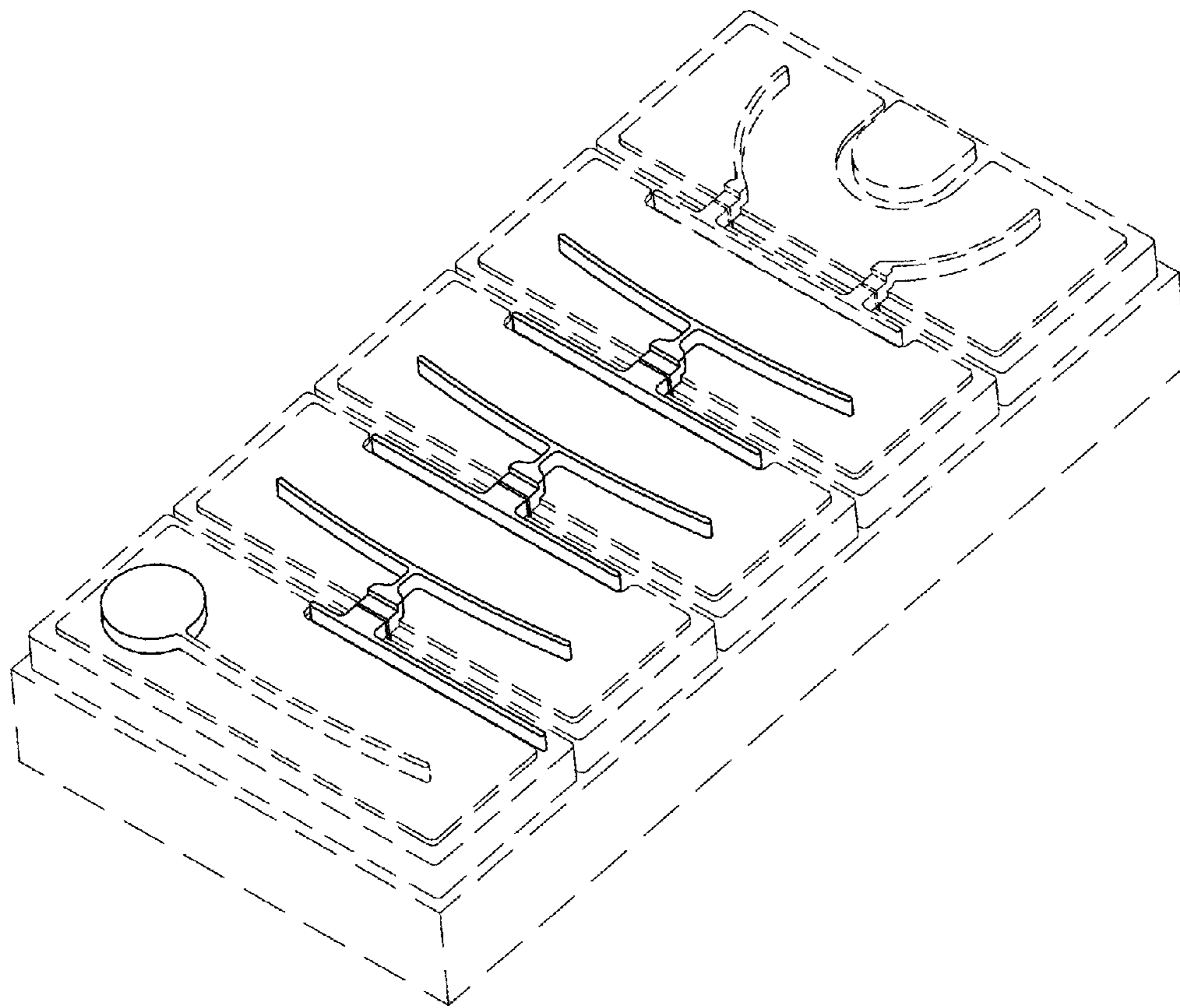


FIG. 10

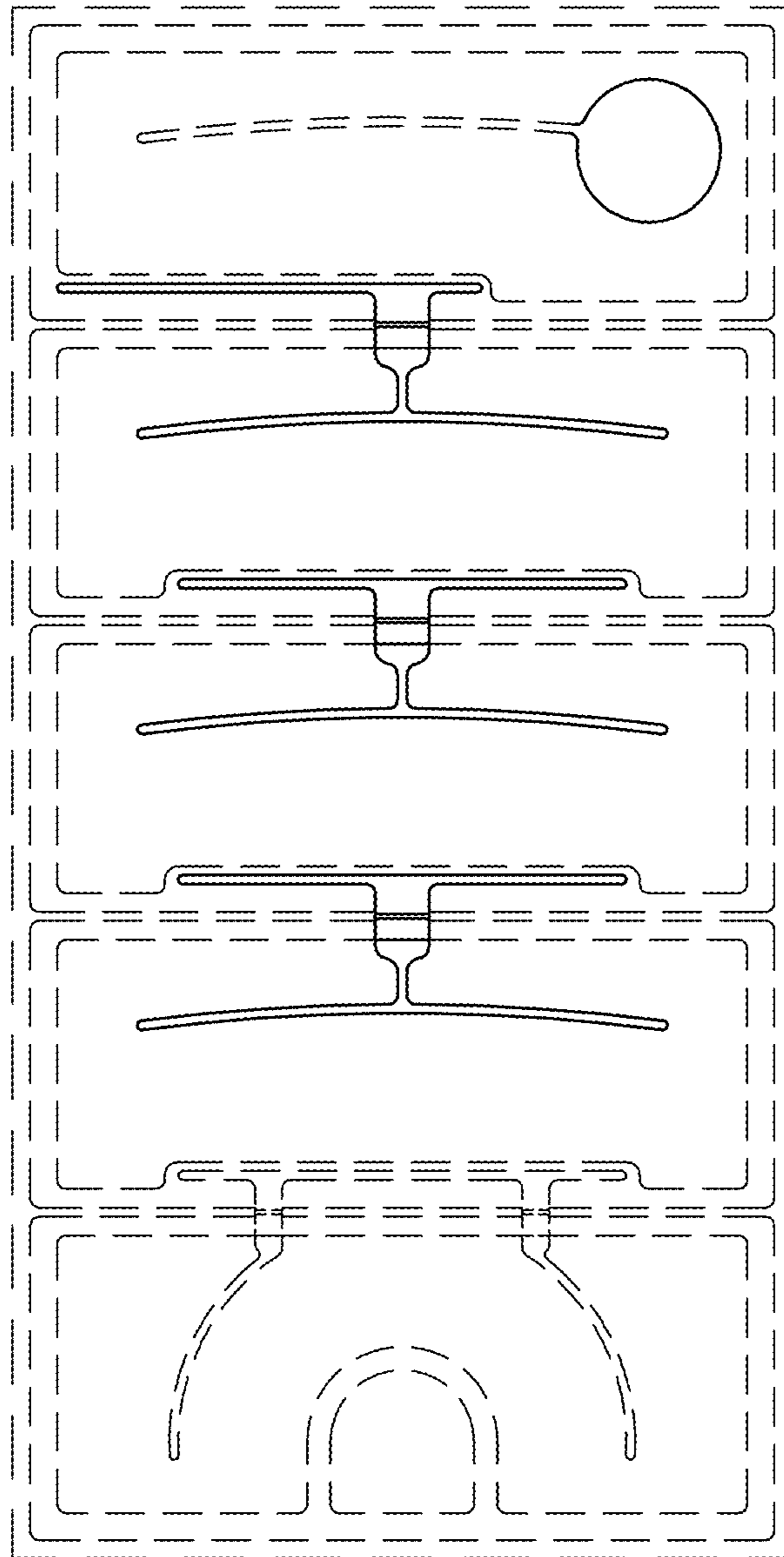


FIG. 11

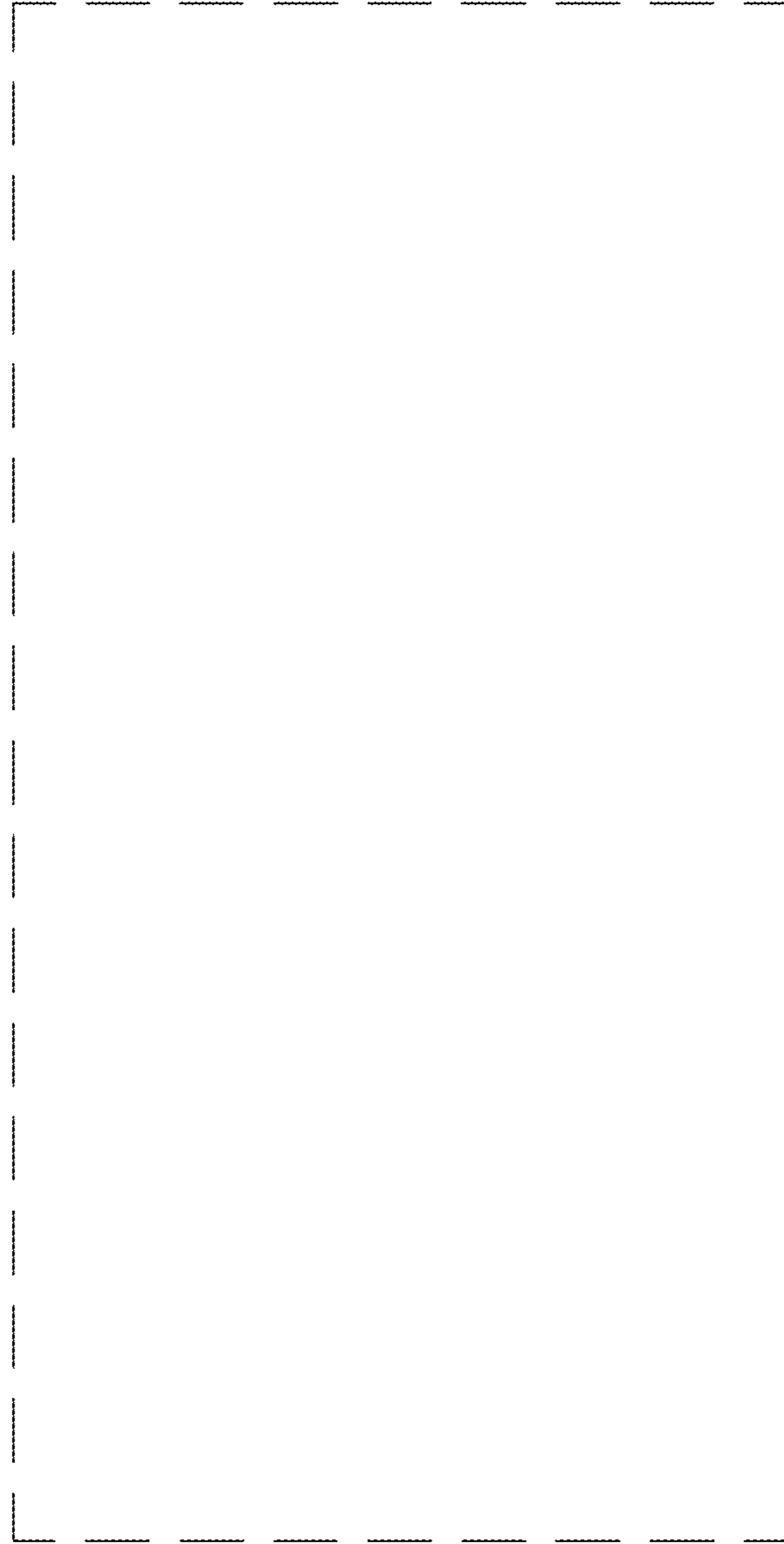


FIG. 12

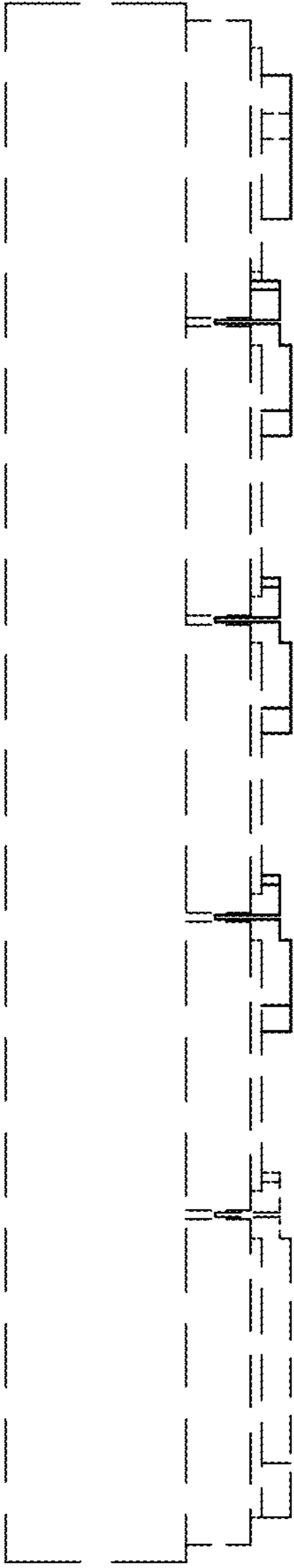


FIG. 13

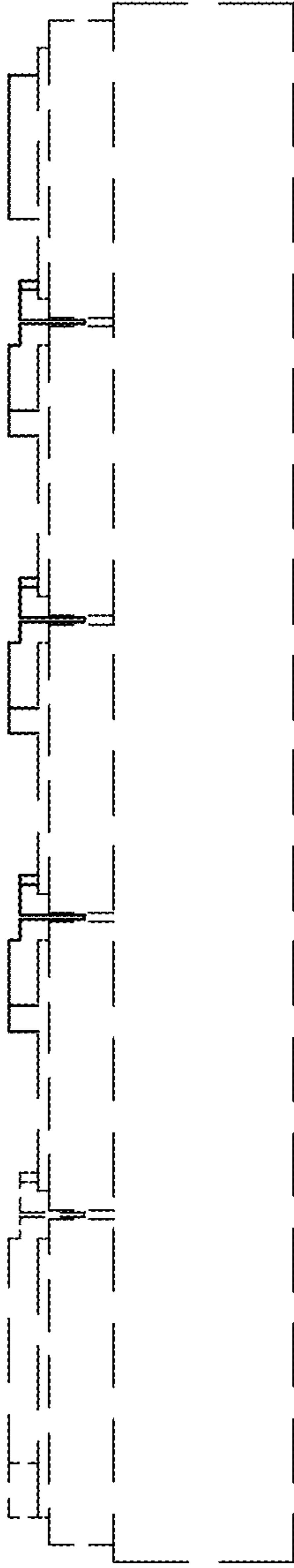


FIG. 14



FIG. 15



FIG. 16