



US00D748589S

(12) **United States Design Patent**
Endo et al.

(10) **Patent No.:** **US D748,589 S**
(45) **Date of Patent:** **** Feb. 2, 2016**

(54) **ELECTRIC CONNECTOR**

- (71) Applicant: **DAI-ICHI SEIKO CO., LTD.**, Kyoto (JP)
- (72) Inventors: **Takayoshi Endo**, Shizuoka (JP); **Jun Mukunoki**, Shizuoka (JP); **Koji Hanaki**, Shizuoka (JP)
- (73) Assignee: **DAI-ICHI SEIKO CO., LTD.**, Kyoto (JP)
- (**) Term: **15 Years**
- (21) Appl. No.: **29/537,268**
- (22) Filed: **Aug. 24, 2015**

Related U.S. Application Data

- (62) Division of application No. 29/513,469, filed on Dec. 31, 2014, now Pat. No. Des. 742,322.

Foreign Application Priority Data

- Jul. 11, 2014 (JP) 2014-015218
- Jul. 11, 2014 (JP) 2014-015219
- (51) **LOC (10) Cl.** **13-03**
- (52) **U.S. Cl.**
USPC **D13/147**
- (58) **Field of Classification Search**
USPC D13/133, 146, 147, 154, 184, 199
See application file for complete search history.

(56) **References Cited**

U.S. PATENT DOCUMENTS

D605,133 S *	12/2009	Tanaka	D13/147
D742,321 S *	11/2015	Endo	D13/147
D742,322 S *	11/2015	Endo	D13/147
D742,323 S *	11/2015	Endo	D13/147

* cited by examiner

Primary Examiner — Daniel Bui

(74) *Attorney, Agent, or Firm* — Nakanishi IP Associates, LLC

(57) **CLAIM**

The ornamental design for an electric connector, as shown and described.

DESCRIPTION

FIG. 1 is a front, top, and right side perspective view of an electric connector showing our new design;
 FIG. 2 is a rear, top, and left side perspective view thereof;
 FIG. 3 is a front elevation view thereof;
 FIG. 4 is a rear elevation view thereof;
 FIG. 5 is a top plan view thereof;
 FIG. 6 is a bottom plan view thereof;
 FIG. 7 is a right side elevation view thereof;
 FIG. 8 is a left side elevation view thereof; and,
 FIG. 9 is a front, top, and right side perspective view thereof, in use condition.

The broken lines shown in the drawings are included for the purpose of illustrating unclaimed environment only, and form no part of the claimed design.

1 Claim, 5 Drawing Sheets

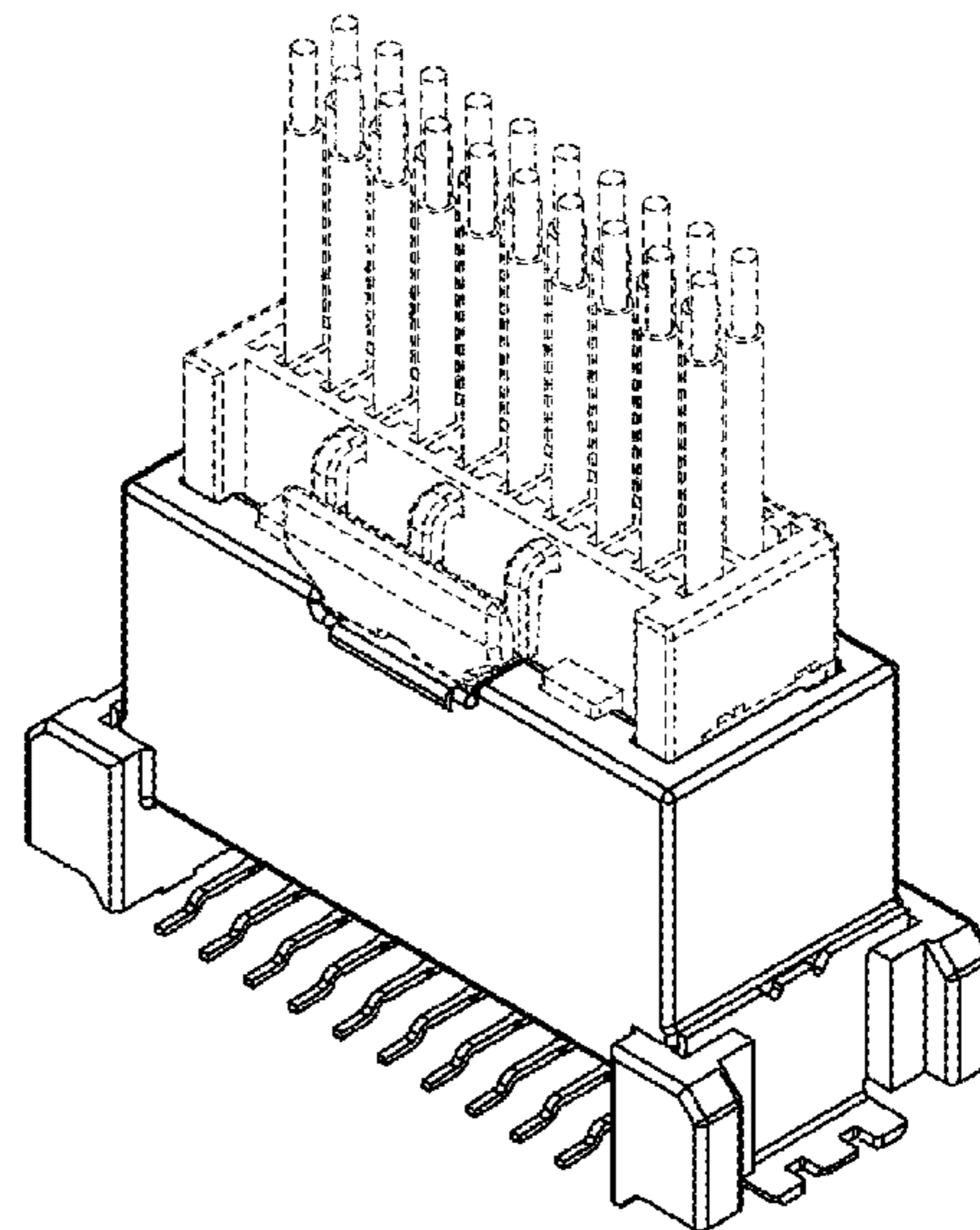
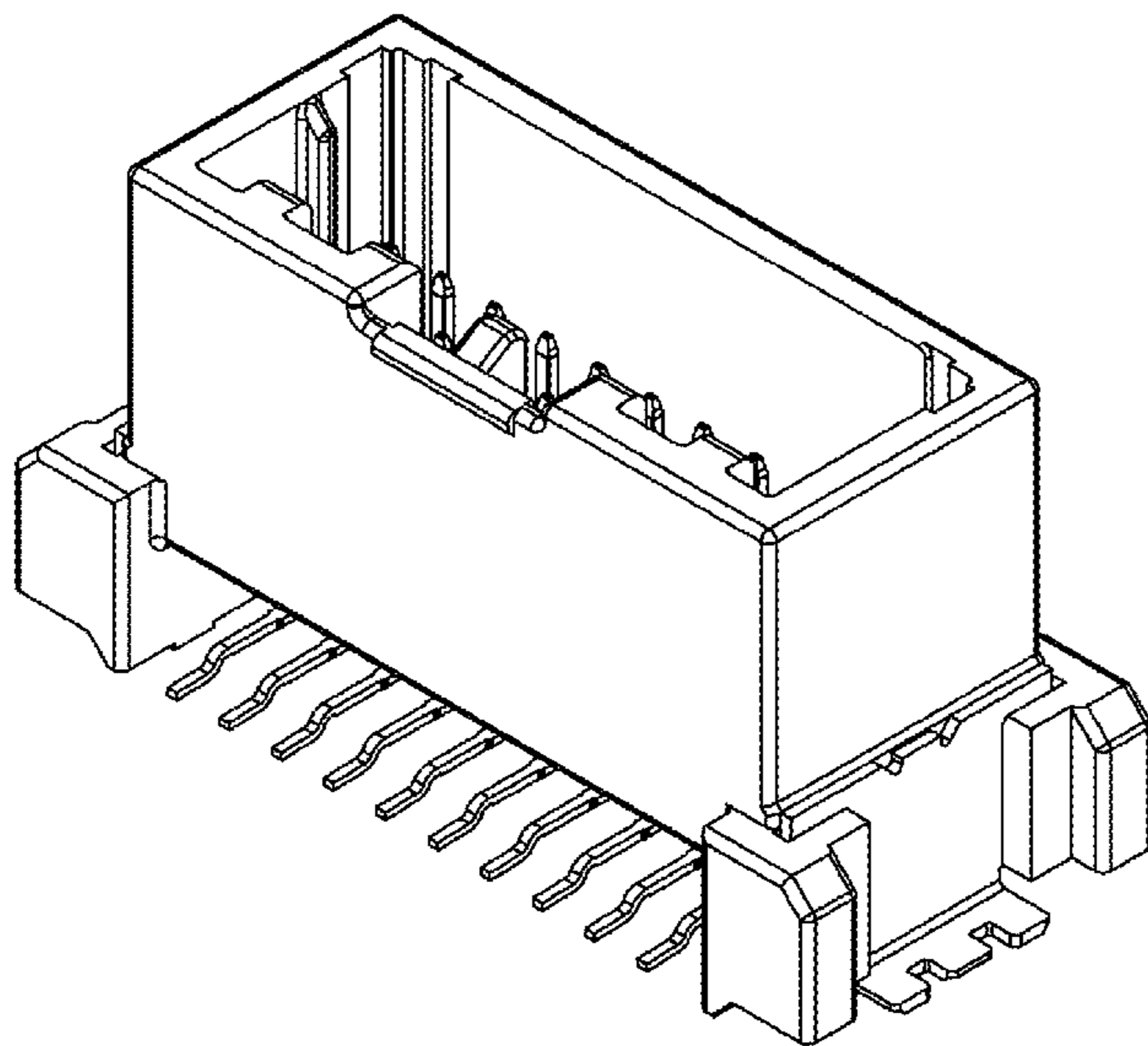


FIG. 1

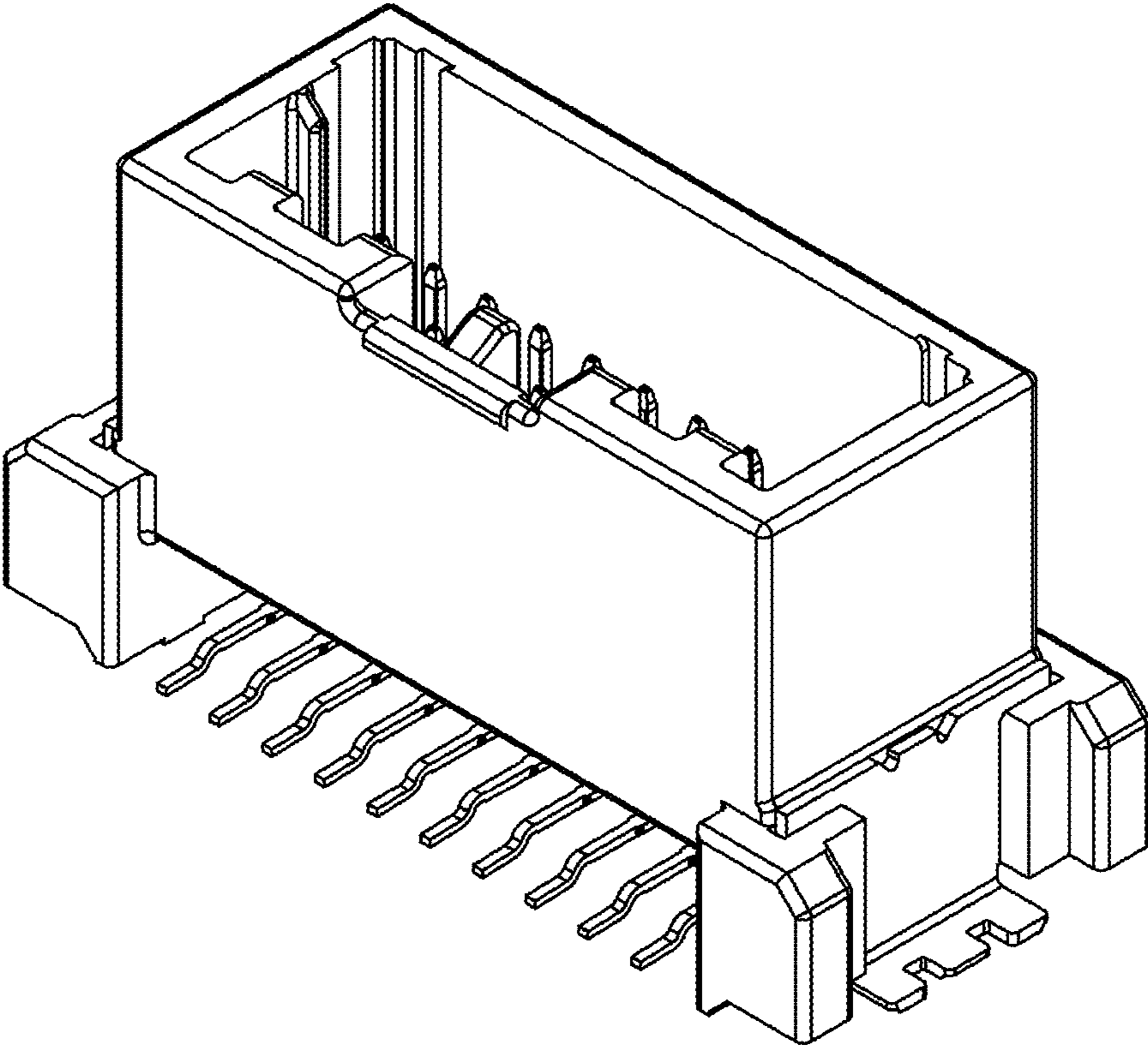


FIG. 2

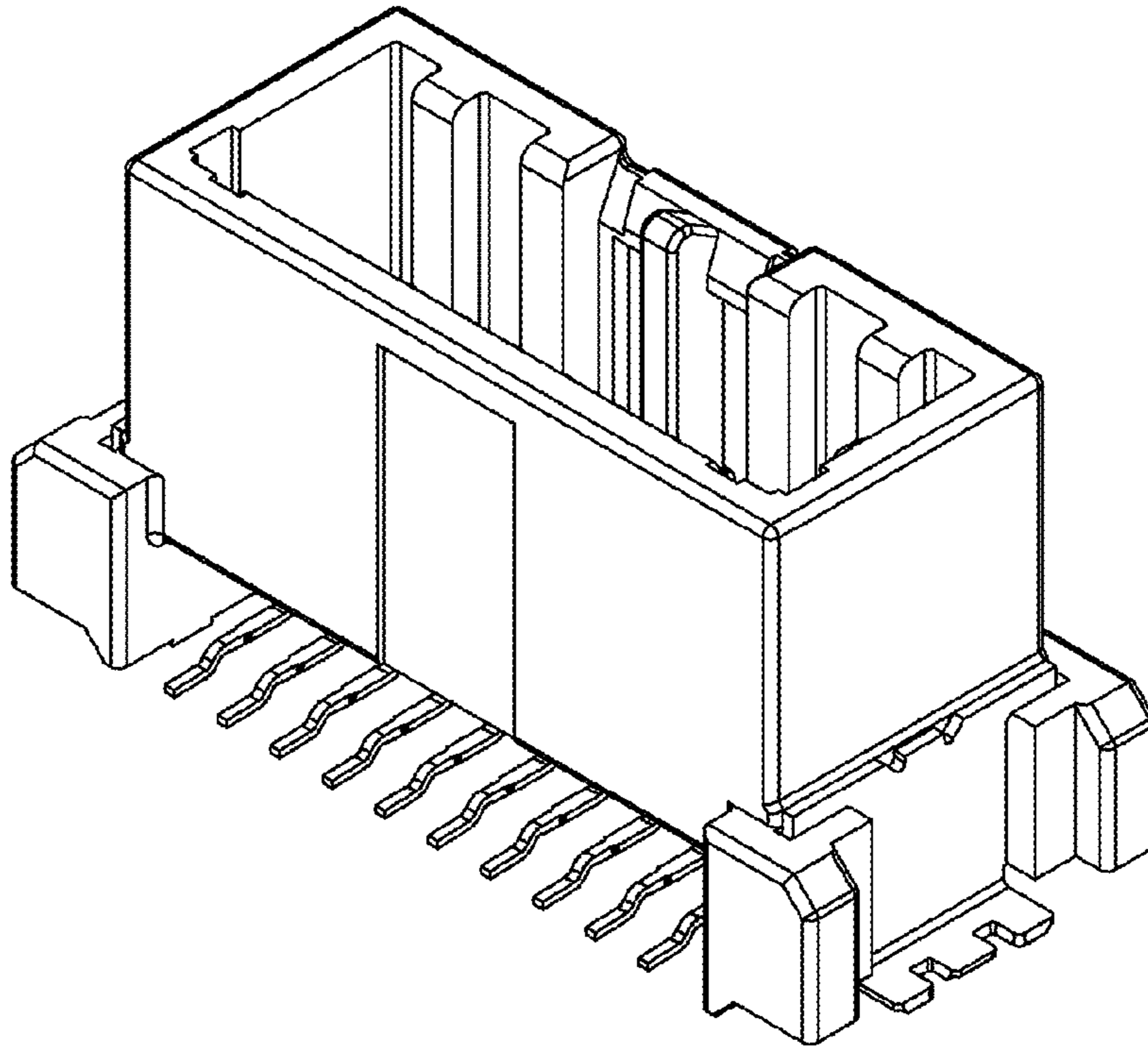


FIG. 3

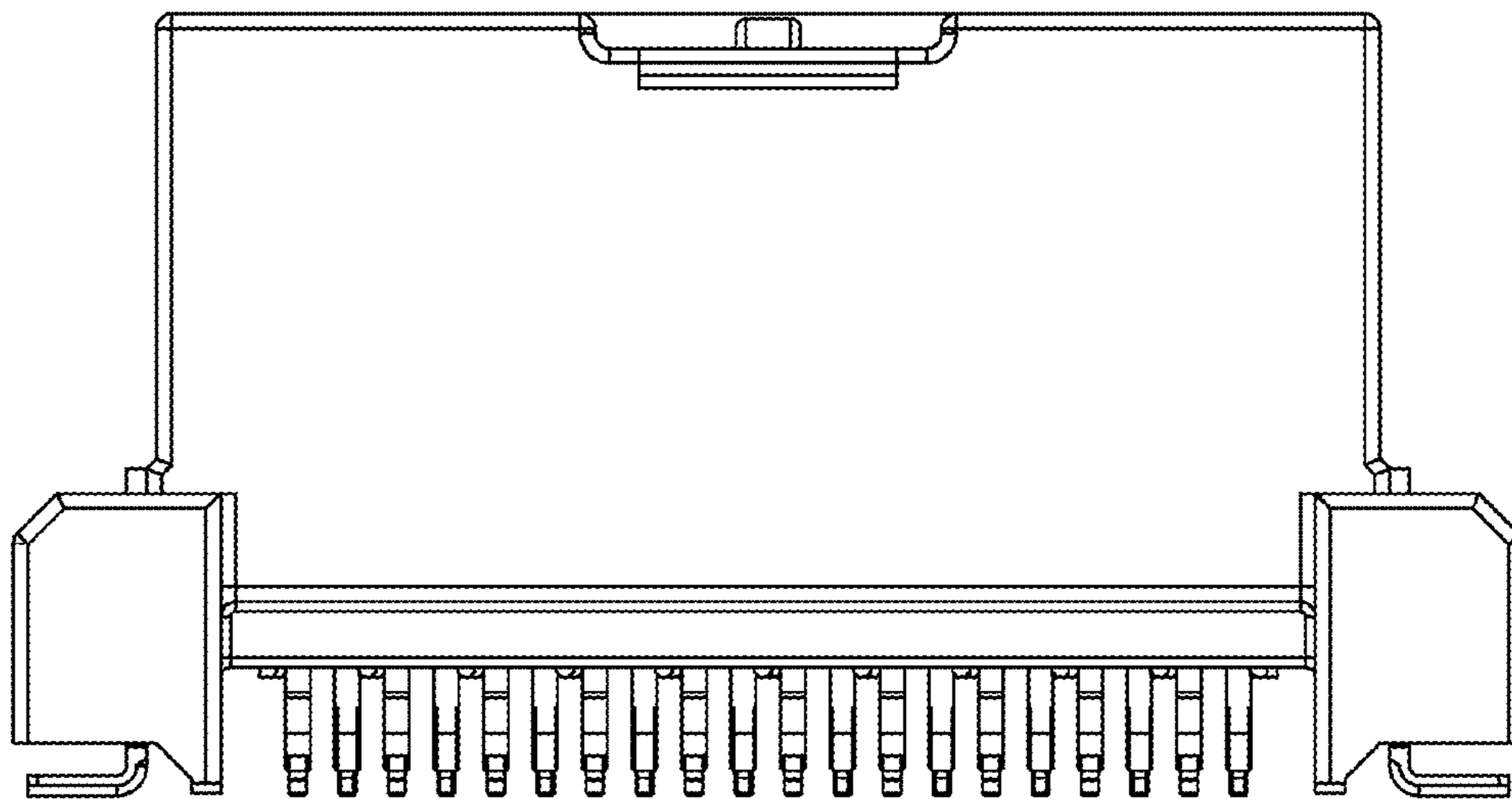


FIG. 4

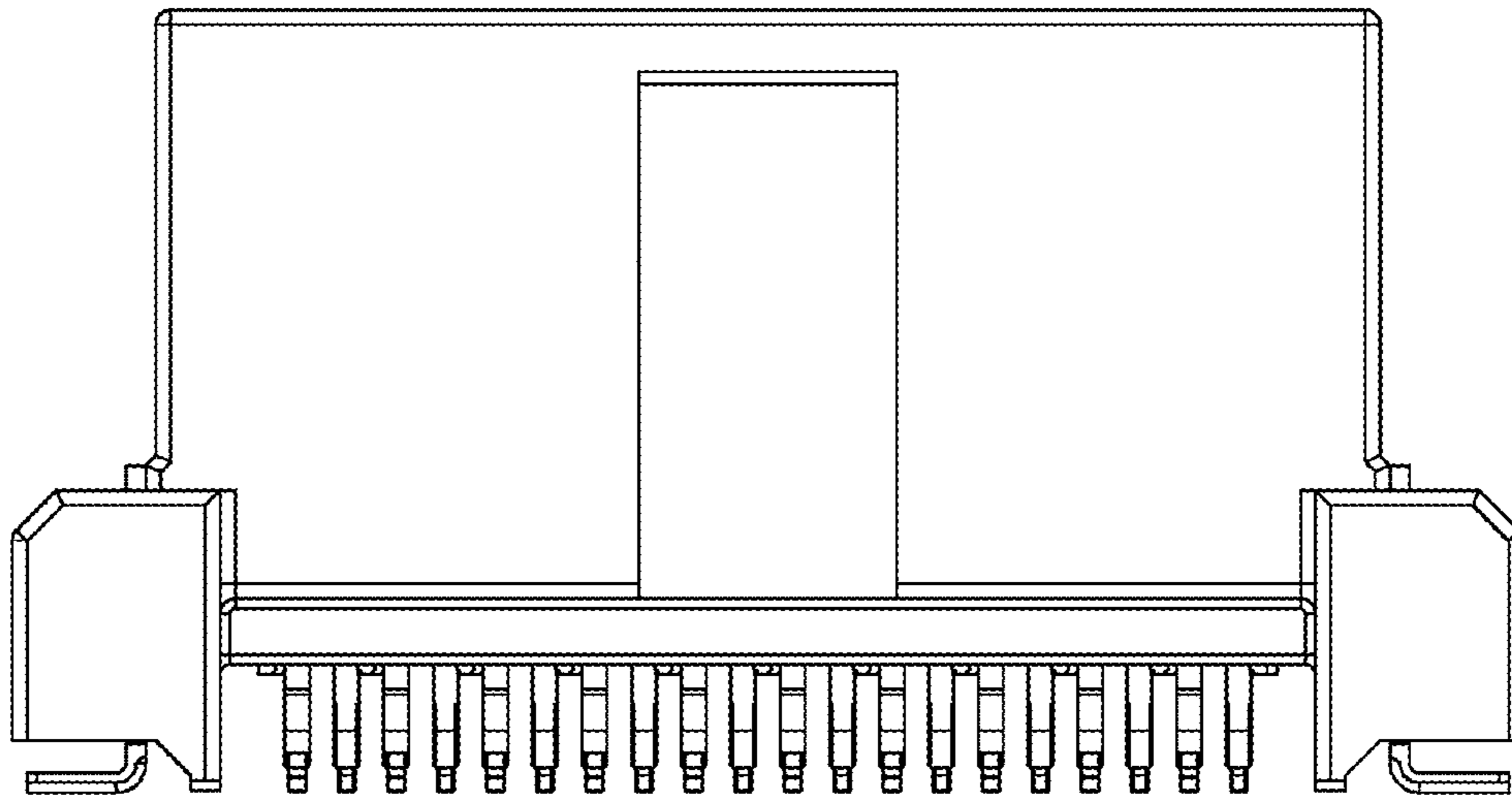


FIG. 5

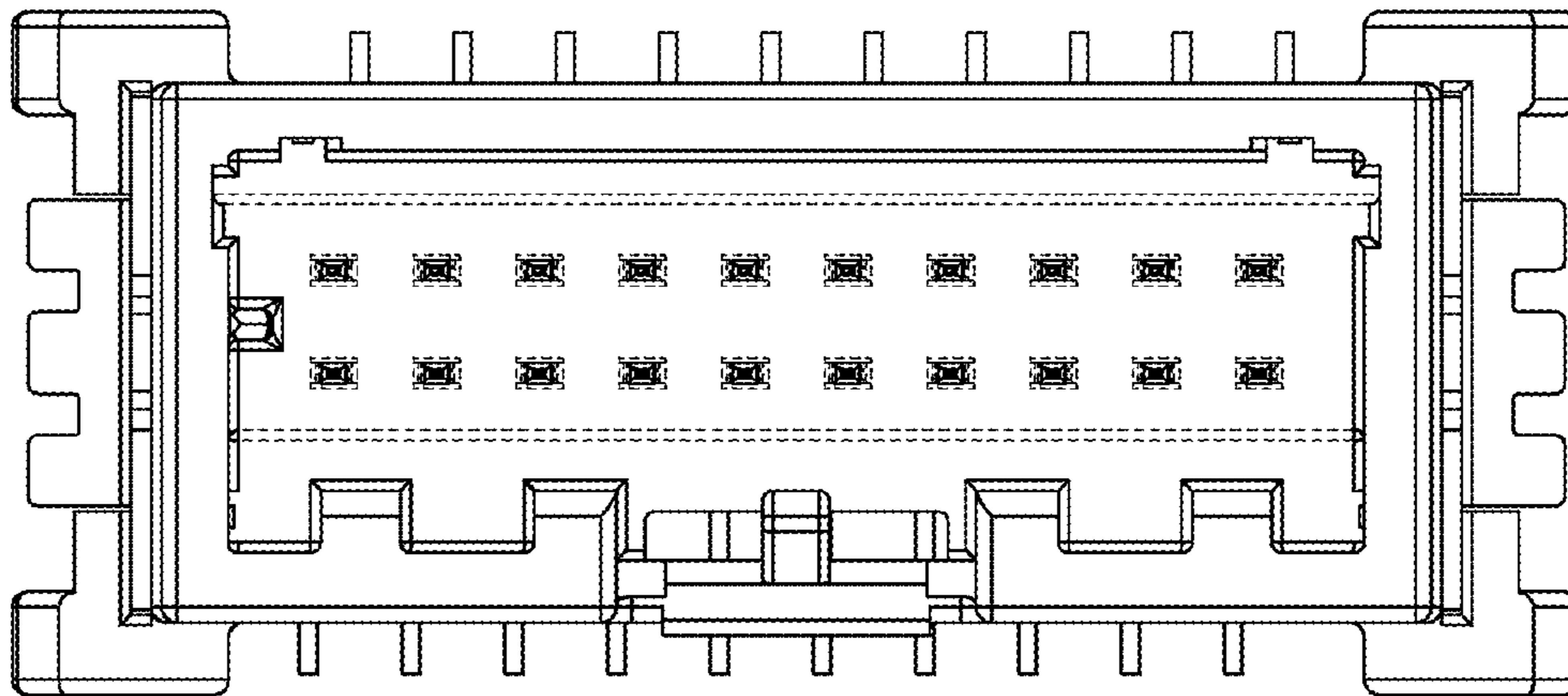


FIG. 6

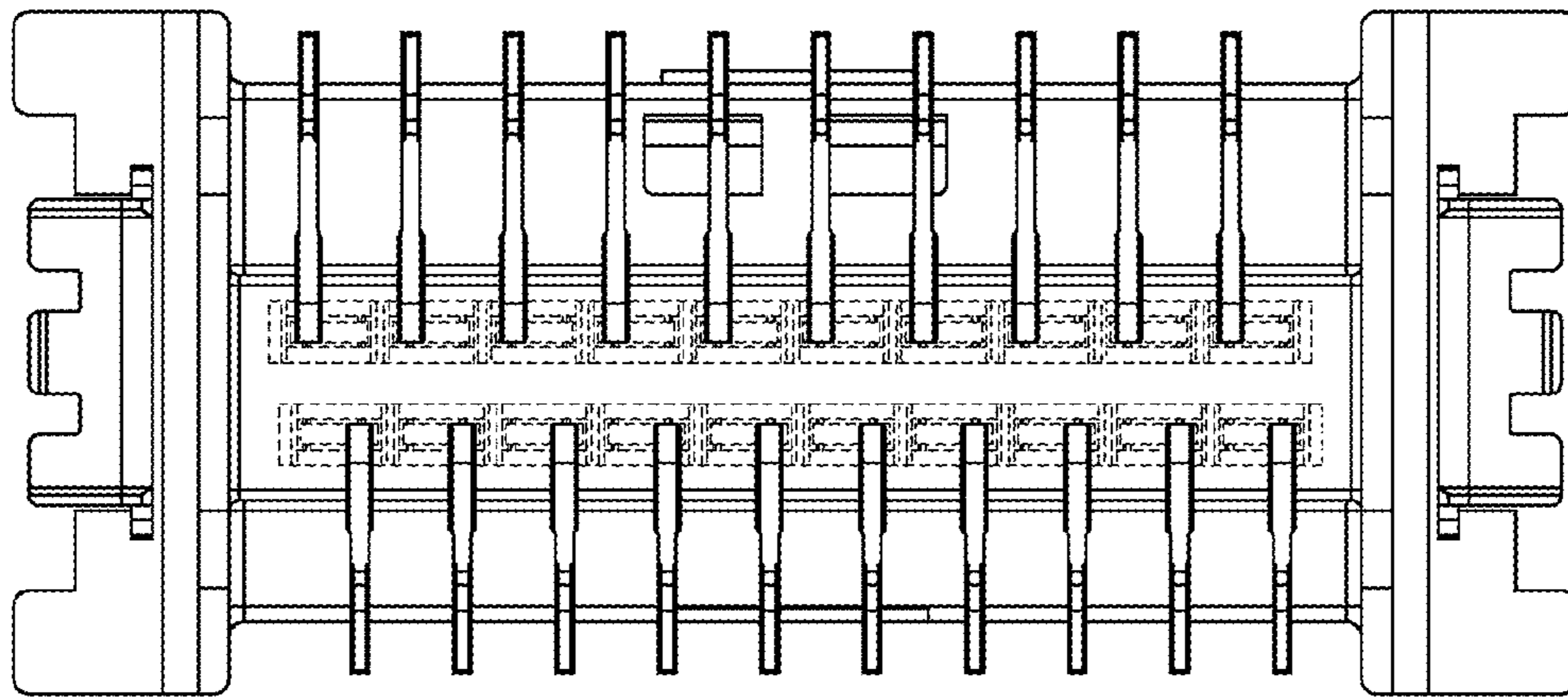


FIG. 7

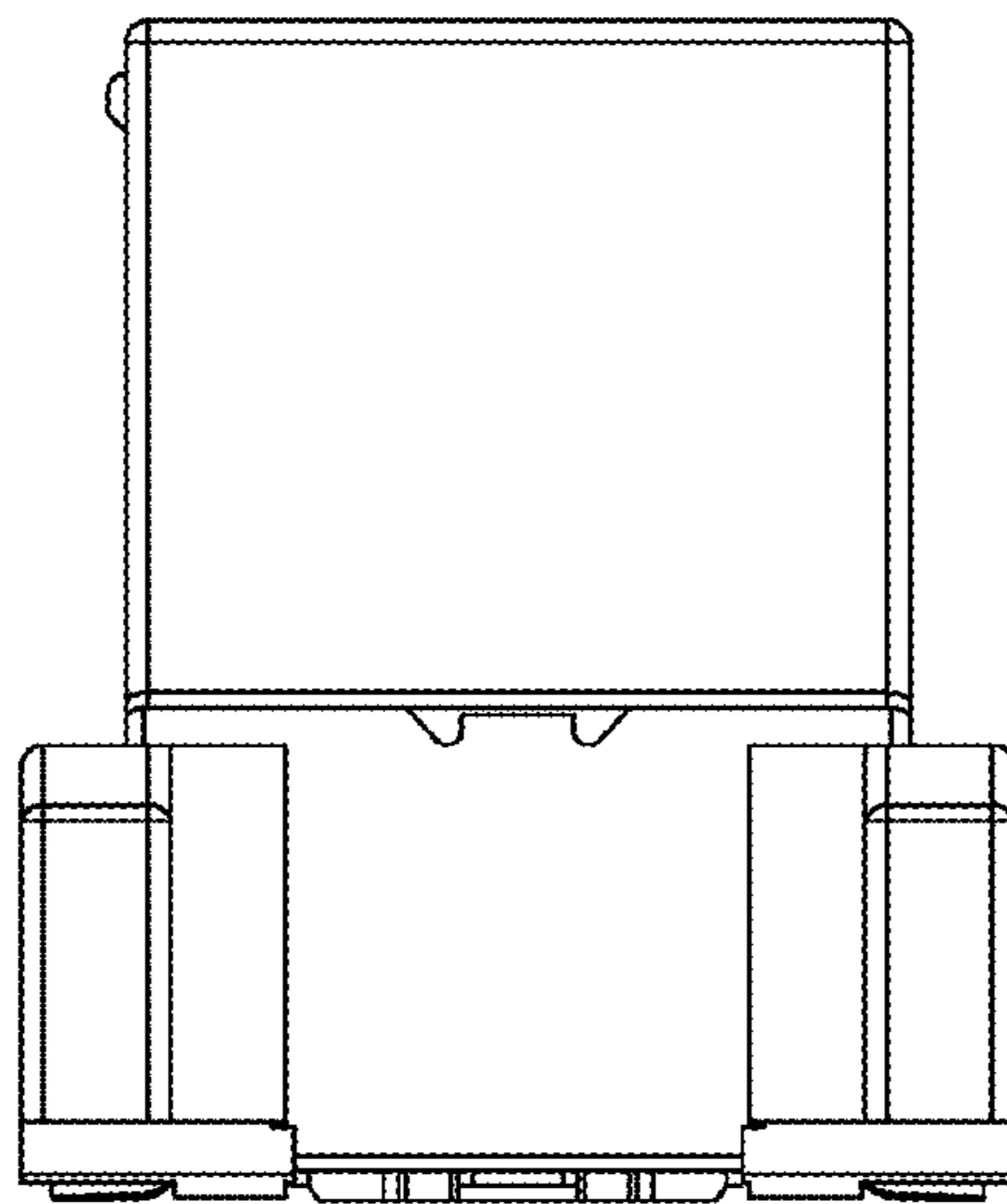


FIG. 8

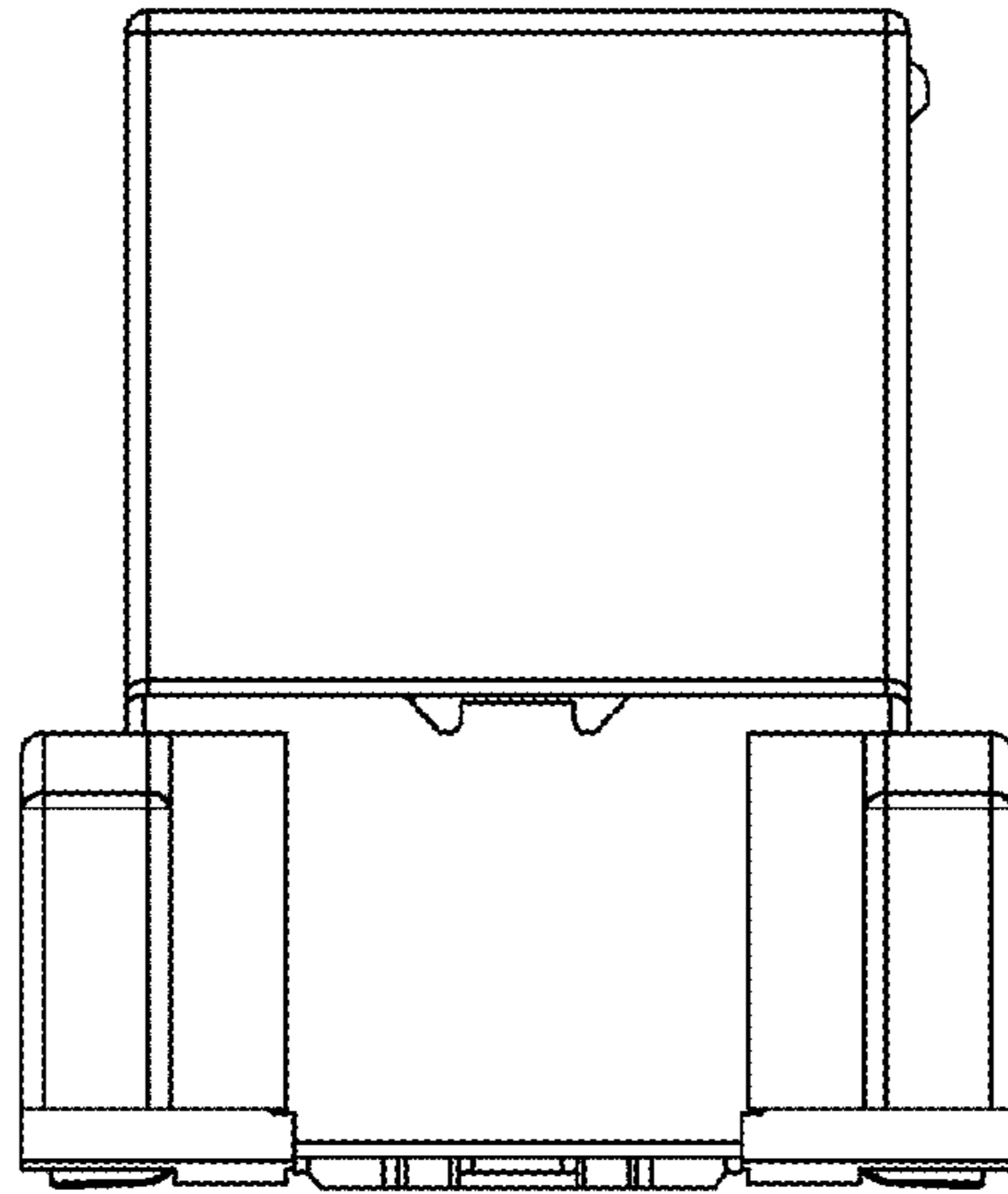


FIG. 9

