



US00D748584S

(12) **United States Design Patent**  
**Endo et al.**

(10) **Patent No.:** **US D748,584 S**  
(45) **Date of Patent:** **\*\* Feb. 2, 2016**

(54) **ELECTRIC CONNECTOR**

(71) Applicant: **DAI-ICHI SEIKO CO., LTD.**, Kyoto (JP)

(72) Inventors: **Takayoshi Endo**, Shizuoka (JP); **Sakai Yagi**, Shizuoka (JP); **Koji Hanaki**, Shizuoka (JP)

(73) Assignee: **DAI-ICHI SEIKO CO., LTD.**, Kyoto (JP)

(\*\*) Term: **15 Years**

(21) Appl. No.: **29/537,240**

(22) Filed: **Aug. 24, 2015**

**Related U.S. Application Data**

(62) Division of application No. 29/480,255, filed on Jan. 24, 2014.

(30) **Foreign Application Priority Data**

Jul. 24, 2013	(JP)	2013-016855
Jul. 24, 2013	(JP)	2013-016857
Jul. 24, 2013	(JP)	2013-016859
Jan. 14, 2014	(JP)	2014-000458
Jan. 14, 2014	(JP)	2014-000459
Jan. 14, 2014	(JP)	2014-000460

(51) **LOC (10) Cl.** ..... **13-03**

(52) **U.S. Cl.**  
USPC ..... **D13/147**

(58) **Field of Classification Search**

USPC ..... D13/133, 147, 154, 184, 199  
See application file for complete search history.

(56) **References Cited**

**U.S. PATENT DOCUMENTS**

D733,057	S	*	6/2015	Amano	.....	D13/147
D737,214	S	*	8/2015	Endo	.....	D13/147

\* cited by examiner

*Primary Examiner* — Daniel Bui

(74) *Attorney, Agent, or Firm* — Nakanishi IP Associates, LLC

(57) **CLAIM**

The ornamental design for an electric connector, as shown and described.

**DESCRIPTION**

FIG. 1 is a front, top, and right side perspective view of an electric connector;  
FIG. 2 is a rear, top, and left side perspective view thereof;  
FIG. 3 is a front elevation view thereof;  
FIG. 4 is a rear elevation view thereof;  
FIG. 5 is a top plan view thereof;  
FIG. 6 is a bottom plan view thereof;  
FIG. 7 is a right side elevation view thereof;  
FIG. 8 is a left side elevation view thereof; and,  
FIG. 9 is a rear, top, and left side perspective view thereof, in use condition.

The broken lines shown in the drawings are included for the purpose of illustrating unclaimed environment only, and form no part of the claimed design.

**1 Claim, 7 Drawing Sheets**

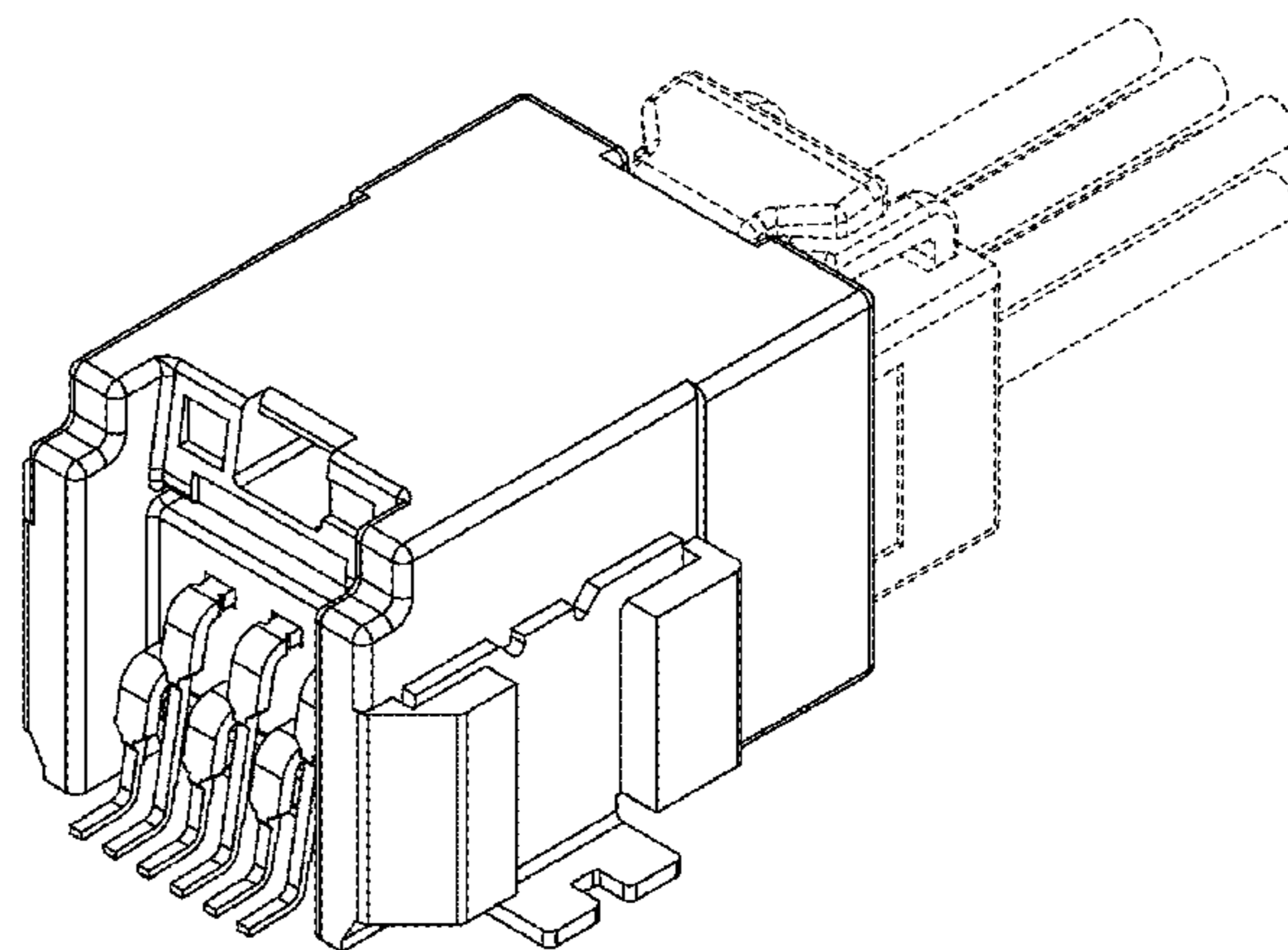
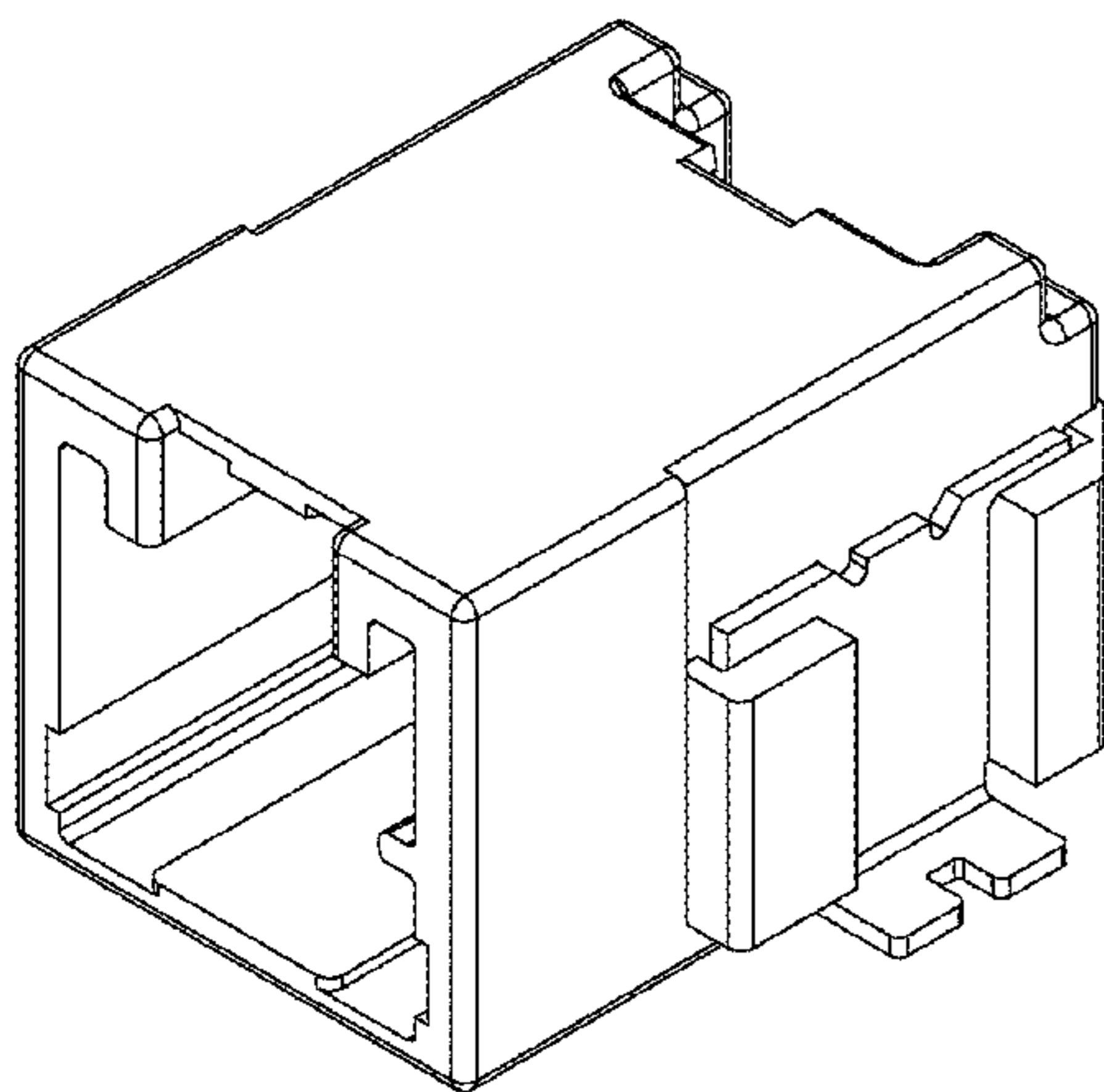


FIG.1

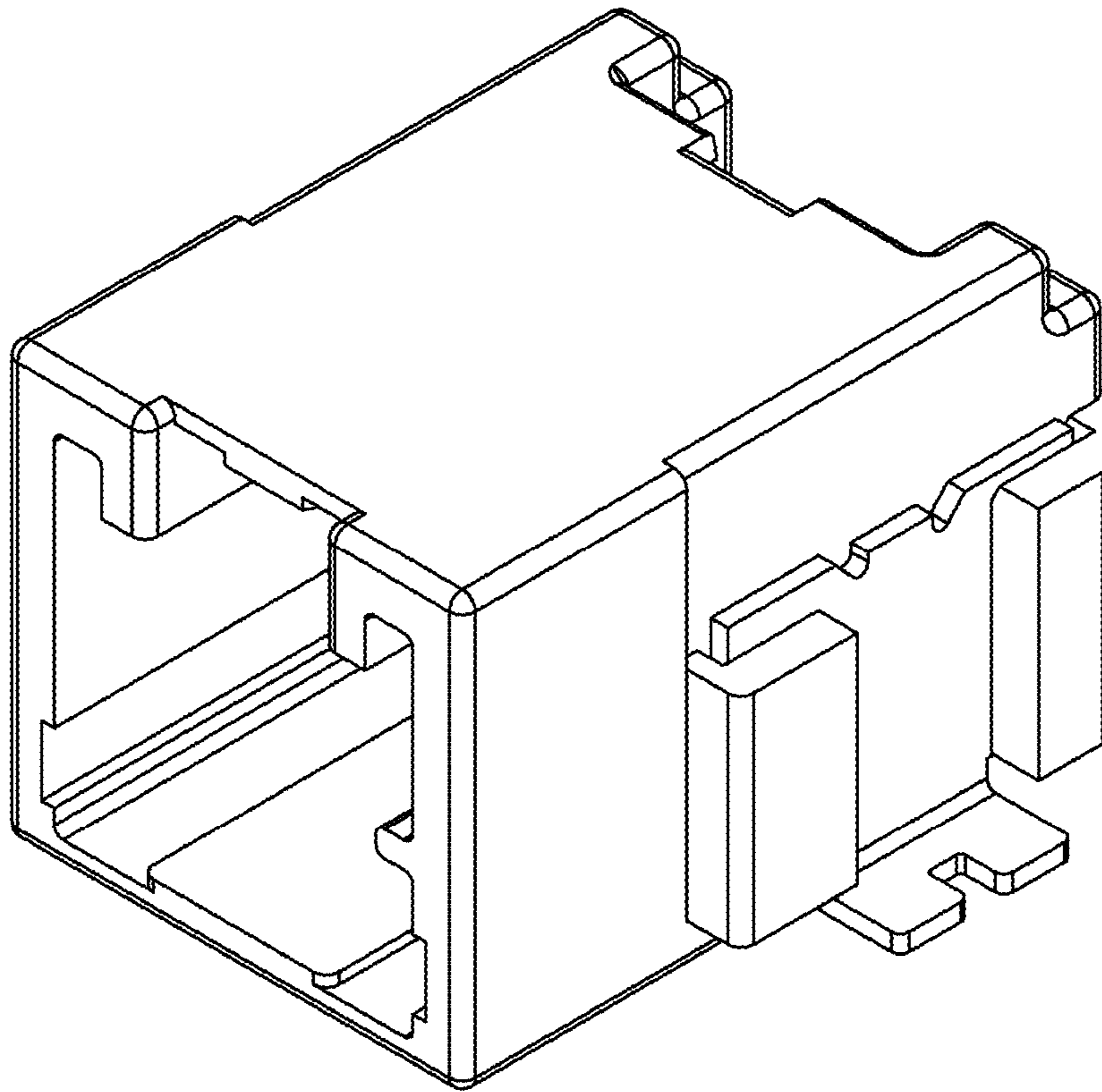


FIG.2

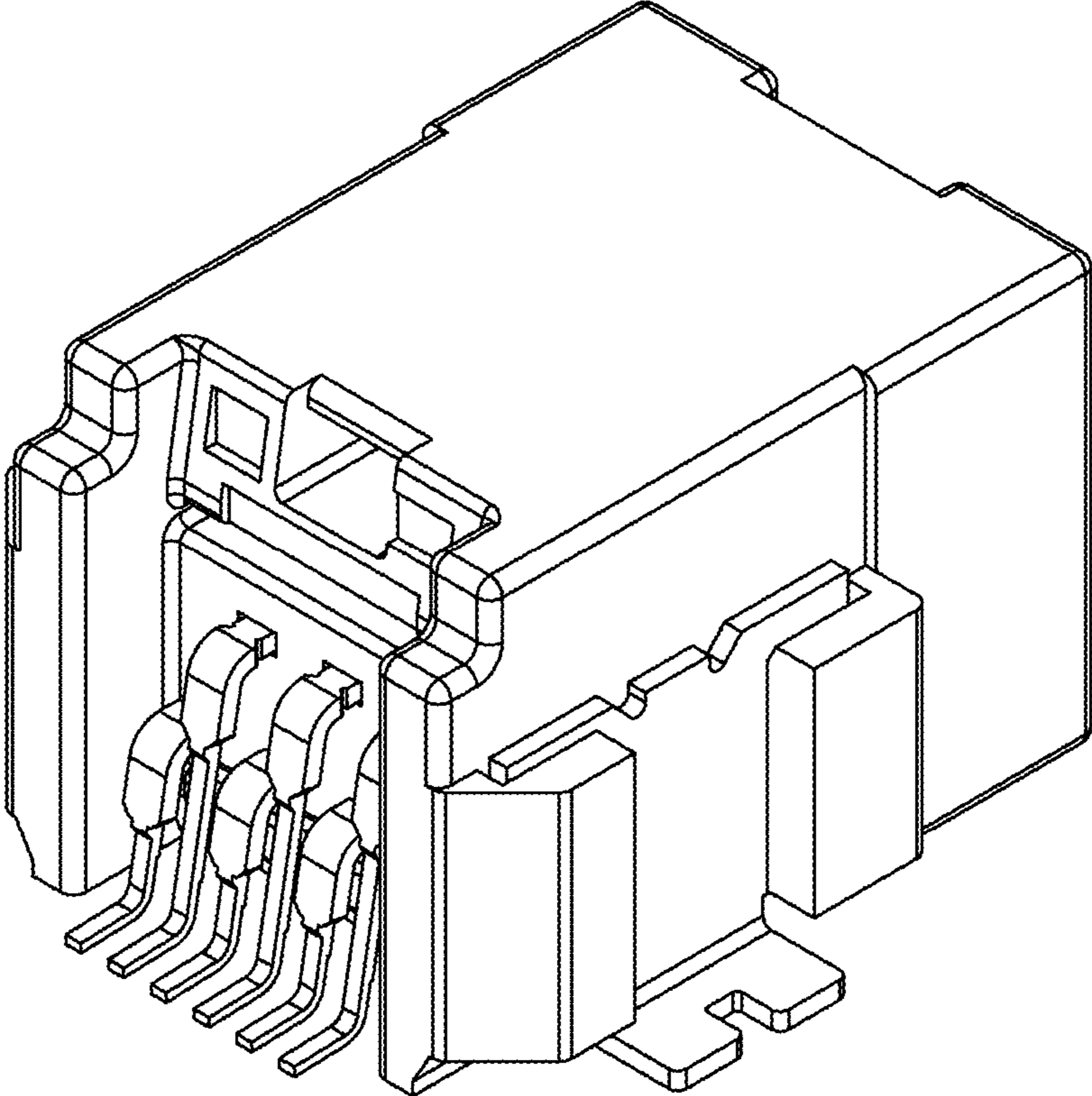


FIG.3

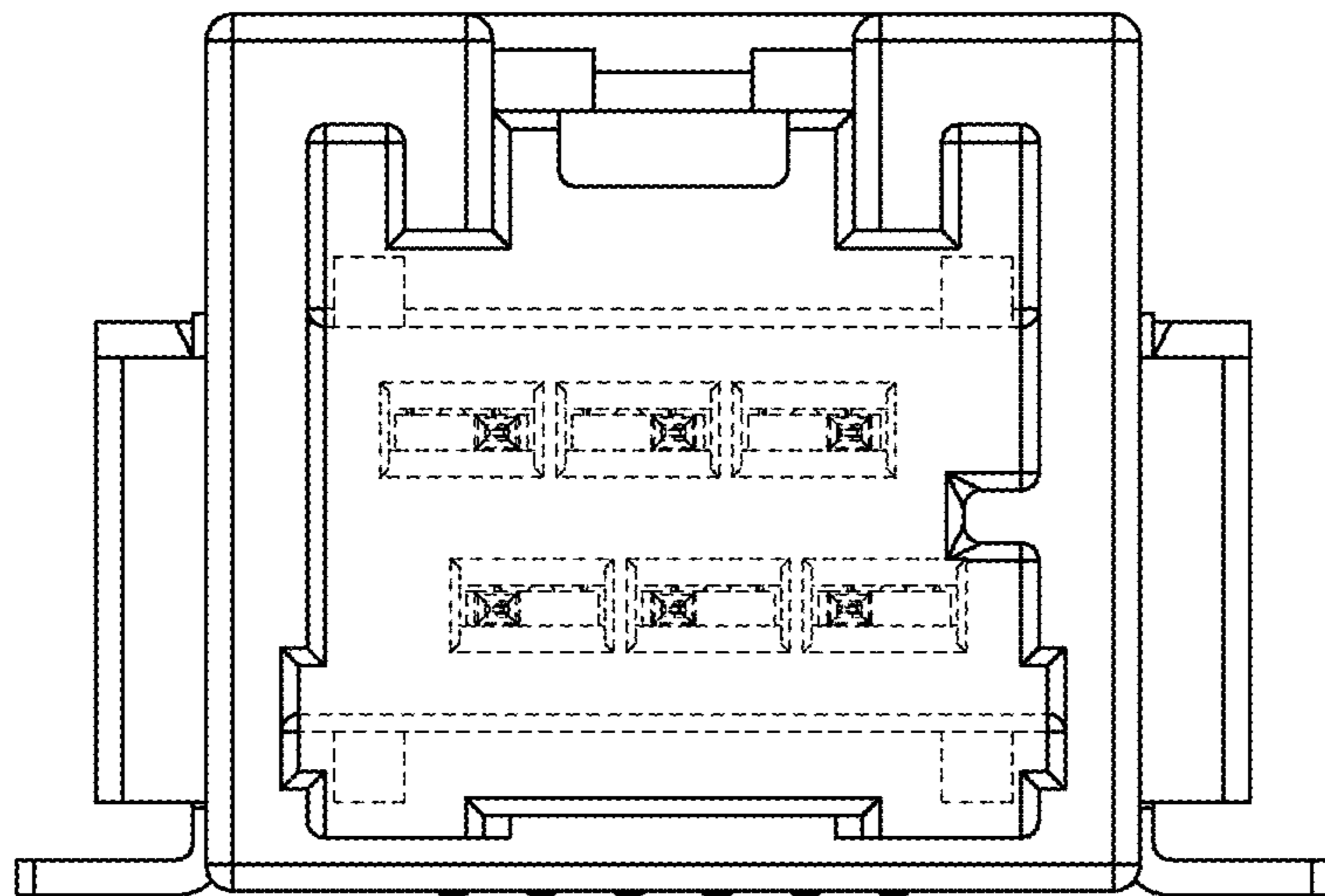


FIG.4

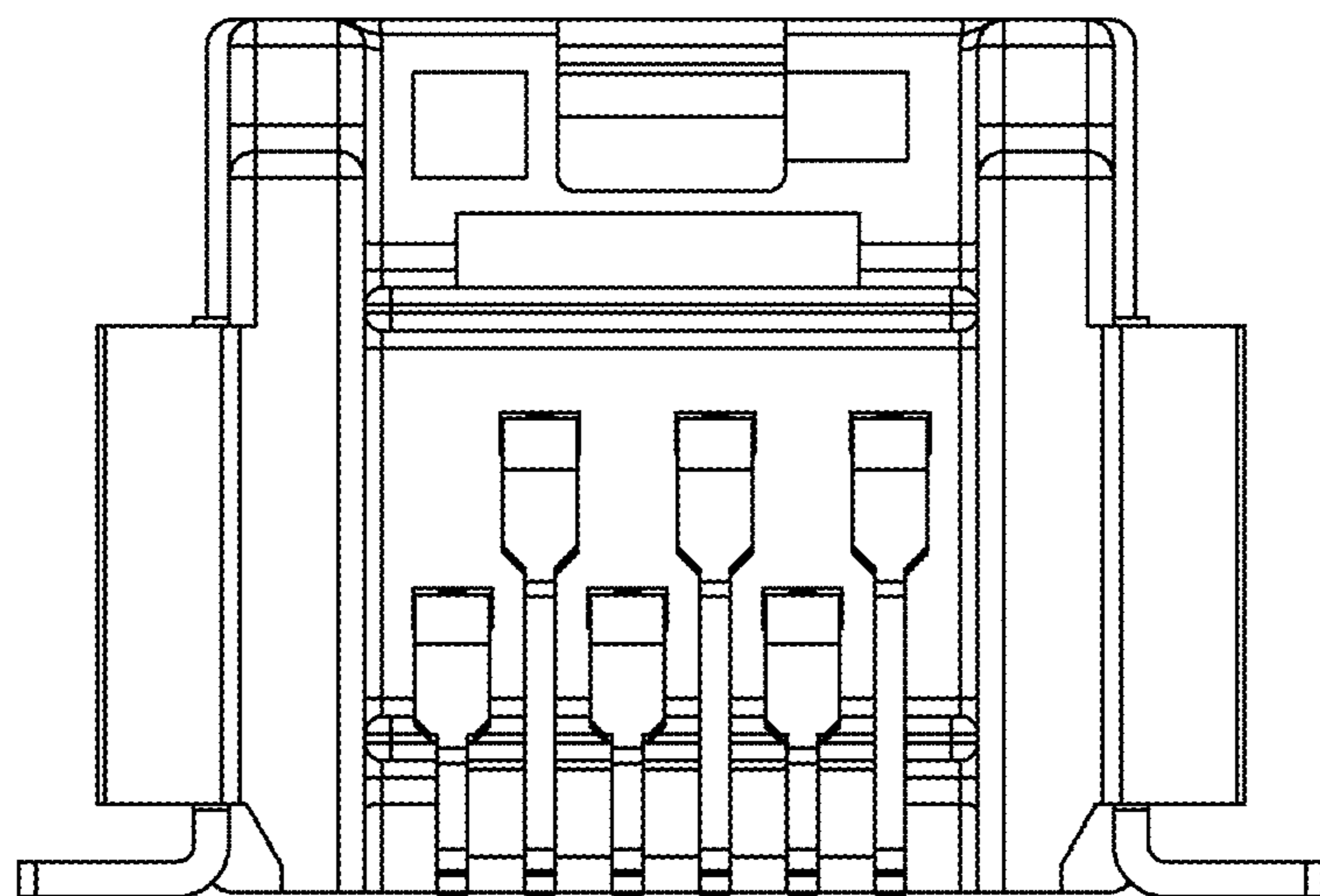


FIG.5

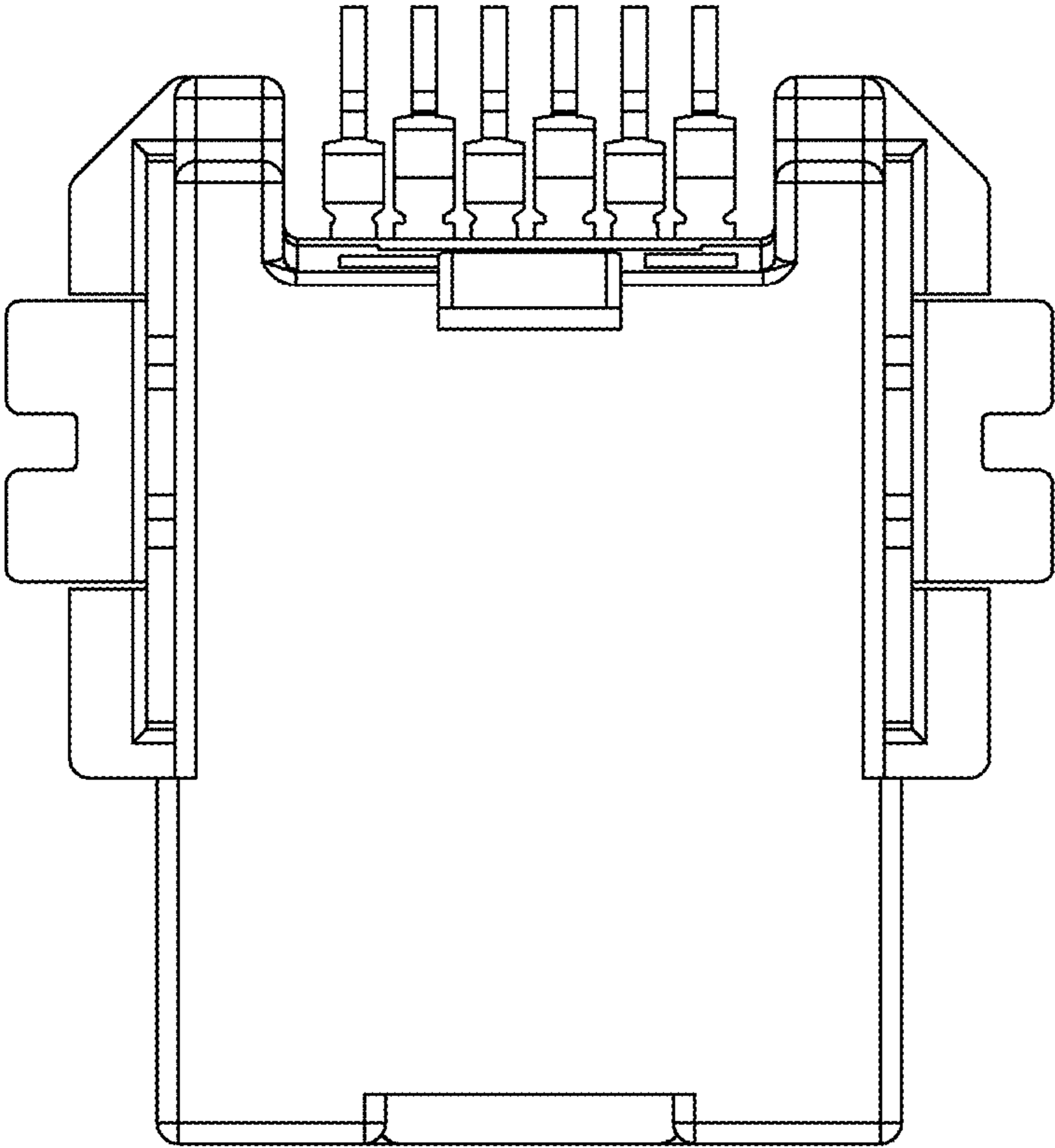




FIG.6

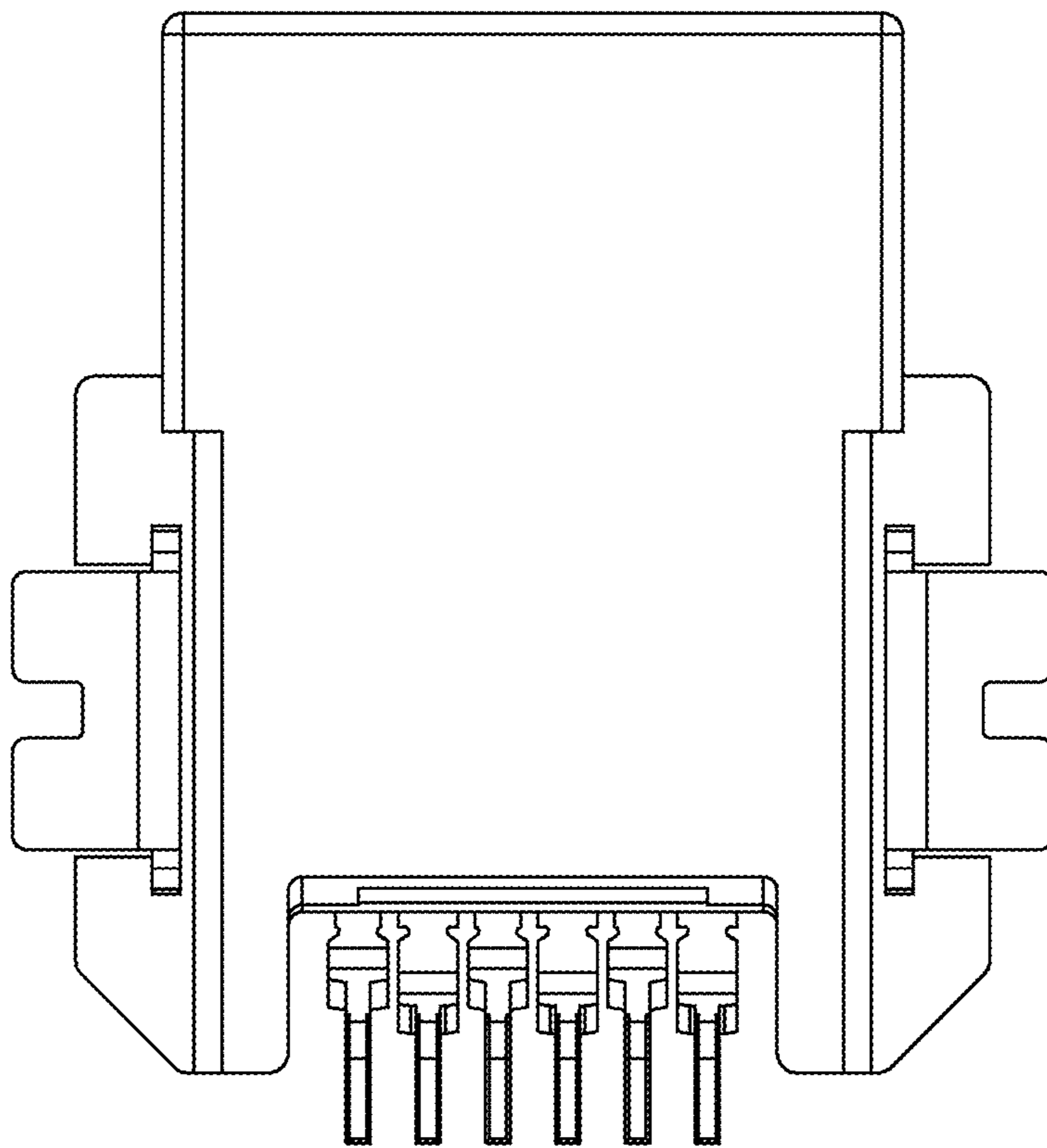


FIG.7

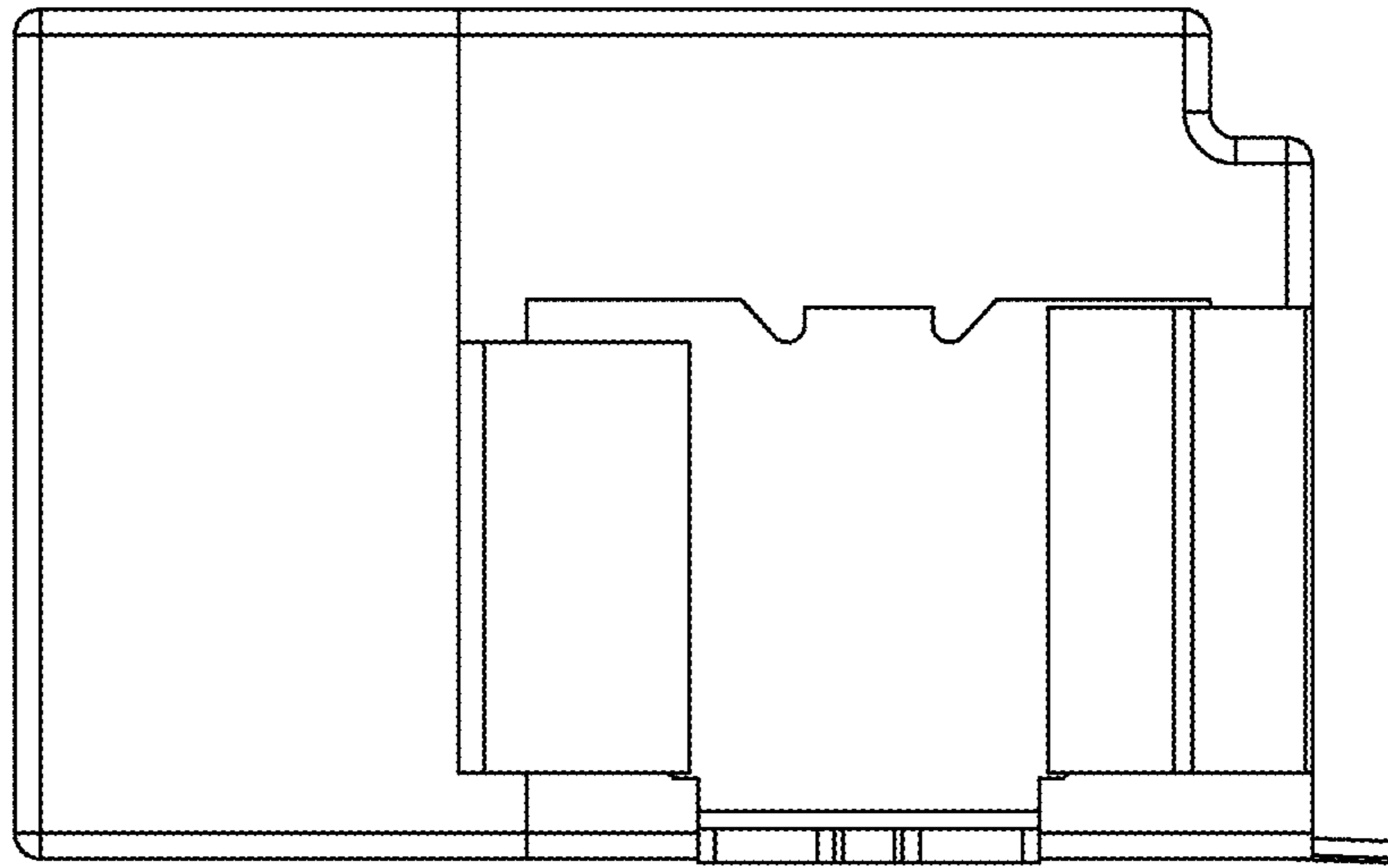


FIG.8

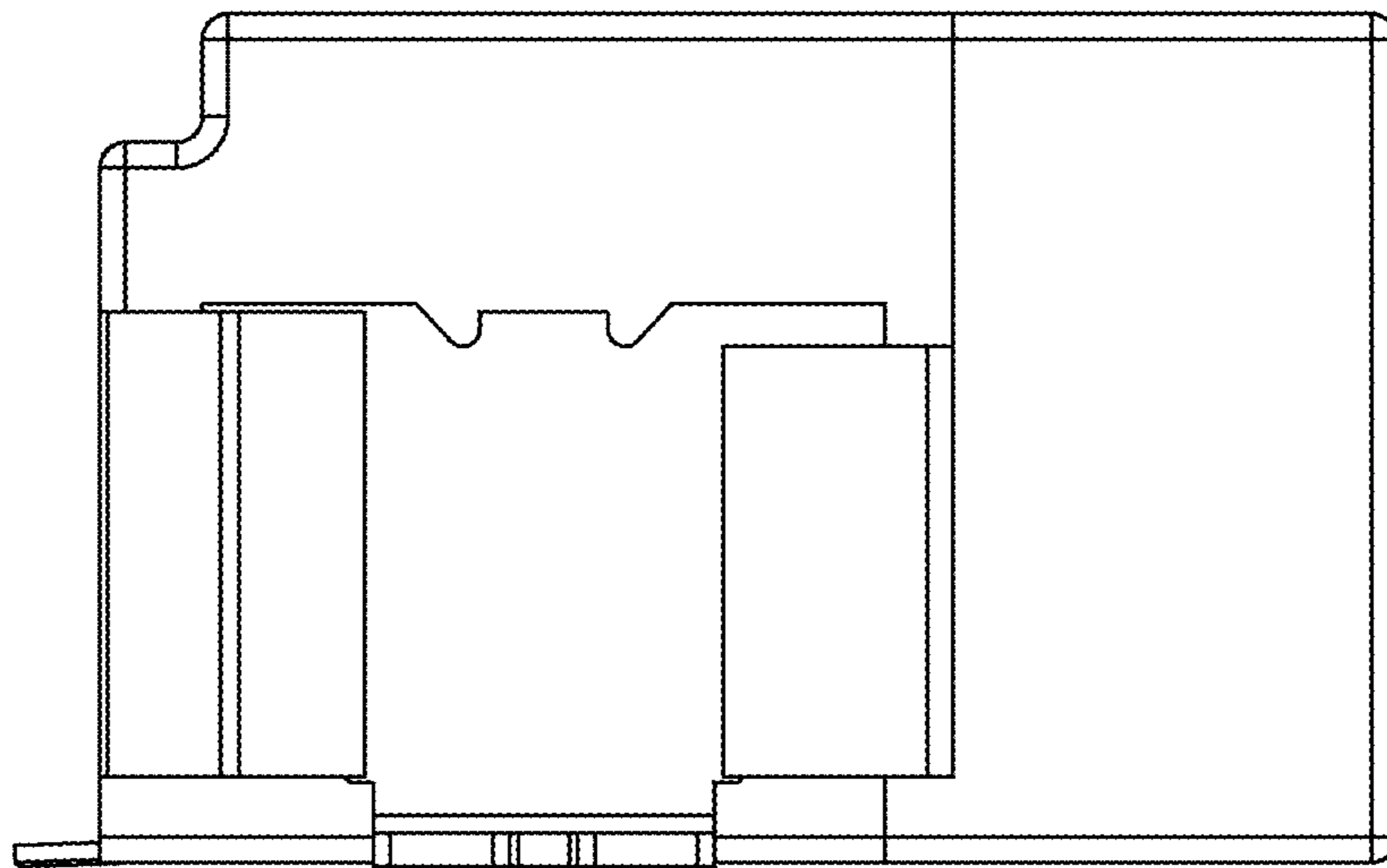


FIG.9

