



US00D748582S

(12) **United States Design Patent**  
**Sasaki et al.**

(10) **Patent No.:** **US D748,582 S**  
(45) **Date of Patent:** **\*\* Feb. 2, 2016**

(54) **ELECTRICAL CONNECTOR**

(71) Applicant: **Tyco Electronics Japan G.K.**,  
Kanagawa (JP)  
(72) Inventors: **Yoichi Sasaki**, Kanagawa (JP); **Makiya Kimura**, Tokyo (JP)  
(73) Assignee: **Tyco Electronics Japan G.K.**,  
Kanagawa-Ken (JP)

(\*\*) Term: **14 Years**

(21) Appl. No.: **29/502,555**

(22) Filed: **Sep. 17, 2014**

(30) **Foreign Application Priority Data**

Mar. 17, 2014 (JP) ..... 2014-005540

(51) **LOC (10) Cl.** ..... **13-03**

(52) **U.S. Cl.**  
USPC ..... **D13/147**

(58) **Field of Classification Search**  
USPC ..... D13/146, 147, 154, 184, 199  
See application file for complete search history.

(56) **References Cited**

**U.S. PATENT DOCUMENTS**

D519,461 S *	4/2006	Su	.....	D13/147
D552,554 S *	10/2007	Lin	.....	D13/147
D570,784 S *	6/2008	Lin	.....	D13/147
D583,328 S *	12/2008	Chiang	.....	D13/147
D595,657 S *	7/2009	Liu	.....	D13/147
D598,391 S *	8/2009	Yu	.....	D13/147
D698,735 S *	2/2014	Sasada	.....	D13/147

**FOREIGN PATENT DOCUMENTS**

JP	D1199255 S	3/2004
JP	D1199469 S	3/2004
JP	D1314038 S	11/2007
JP	D1450983 S	9/2012
JP	D1451796 S	9/2012
JP	D1477456 S	8/2013
JP	D1478299 S	9/2013
JP	D1491506 S	3/2014
JP	D1491507 S	3/2014

\* cited by examiner

*Primary Examiner* — Daniel Bui

(74) *Attorney, Agent, or Firm* — Barley Snyder

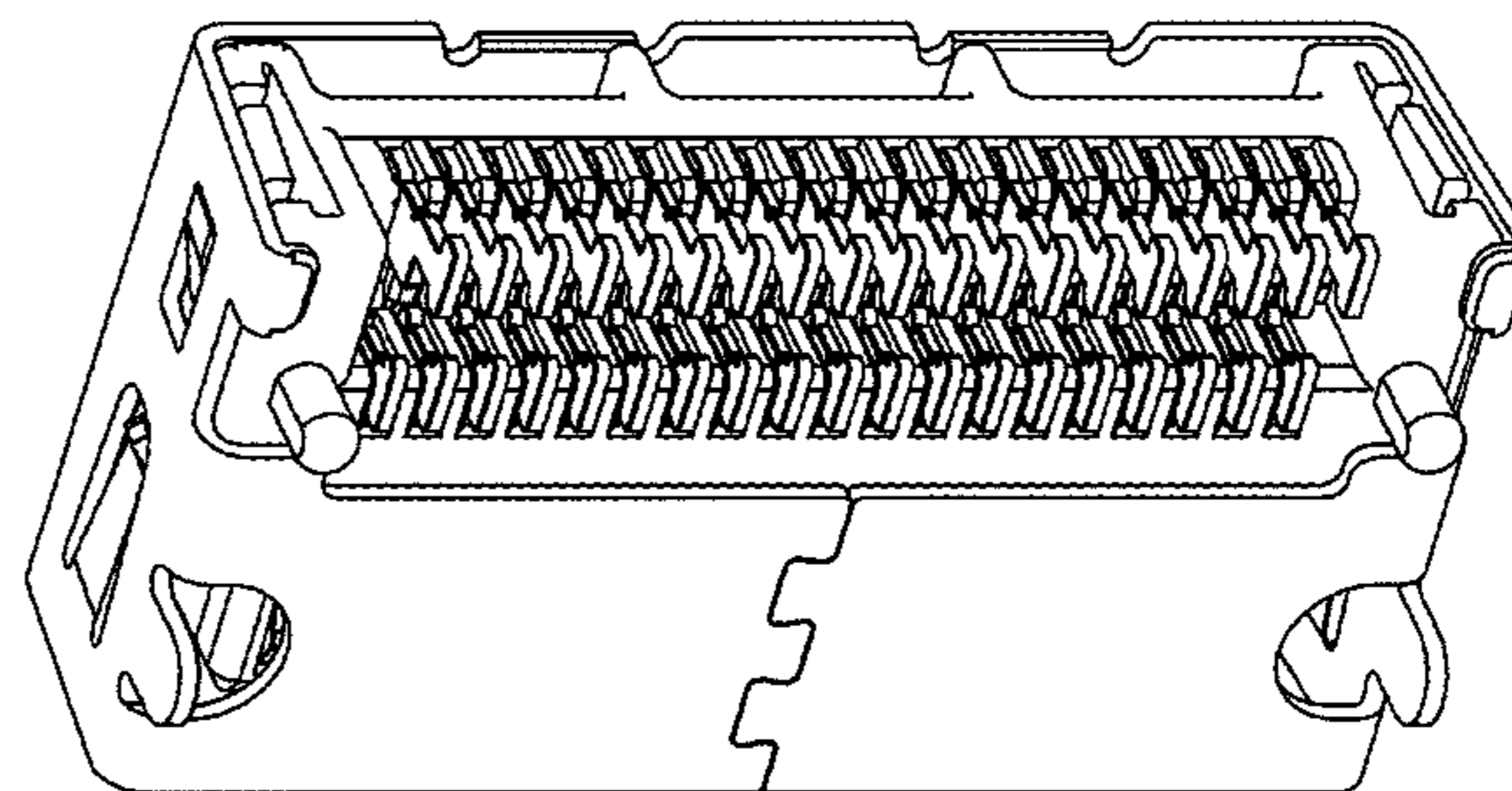
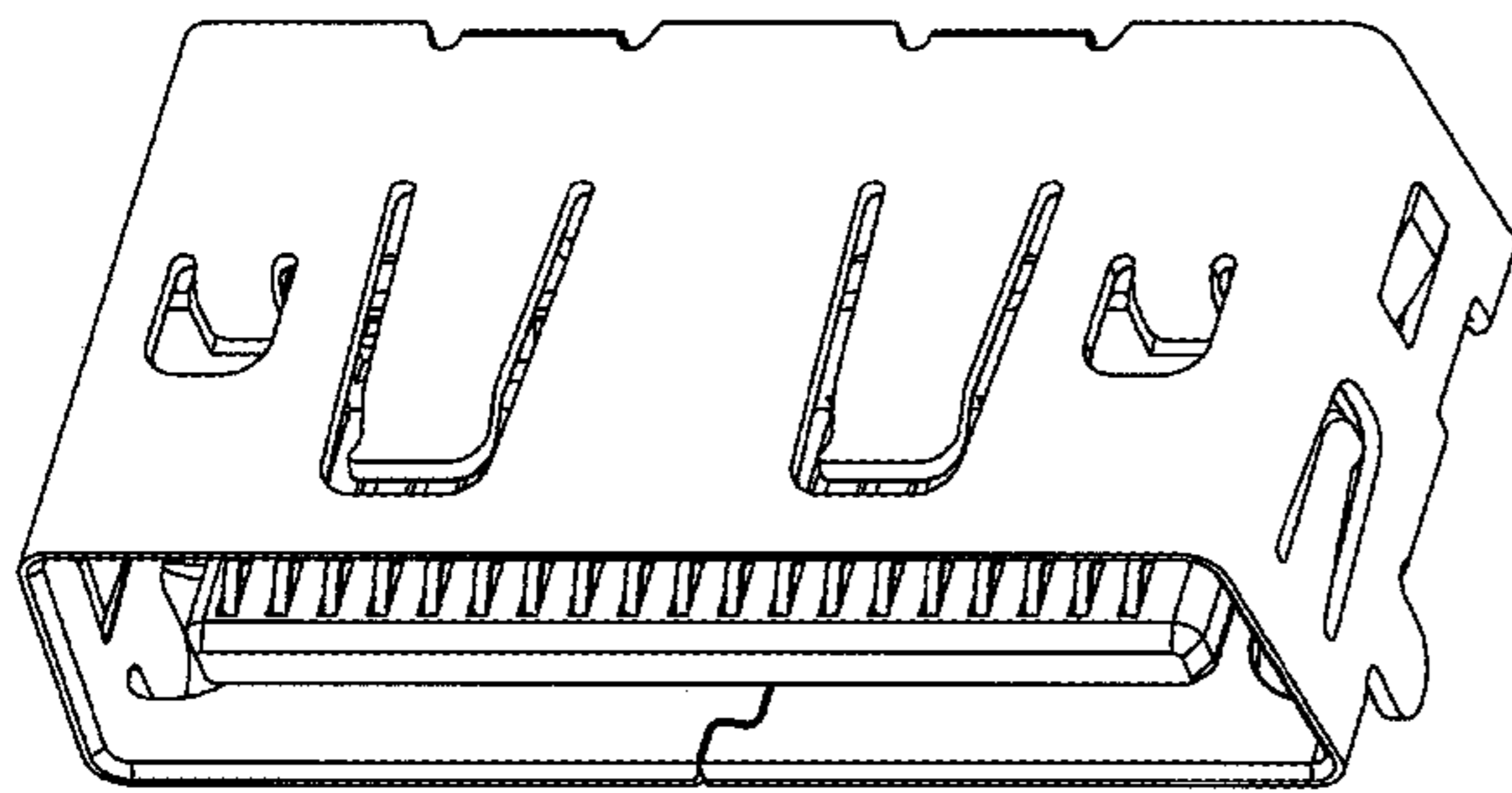
(57) **CLAIM**

The ornamental design for an electrical connector, as shown and described.

**DESCRIPTION**

FIG. 1 is a front elevation view of an electrical connector, showing our new design;  
FIG. 2 is a top plan view thereof;  
FIG. 3 is a rear elevation view thereof;  
FIG. 4 is a bottom plan view thereof;  
FIG. 5 is a left side elevation view thereof;  
FIG. 6 is a right side elevation view thereof;  
FIG. 7 is a front, top and right side perspective view thereof;  
FIG. 8 is a front, bottom, and left side perspective view thereof; and,  
FIG. 9 is a rear, bottom, and right side perspective view.

**1 Claim, 9 Drawing Sheets**



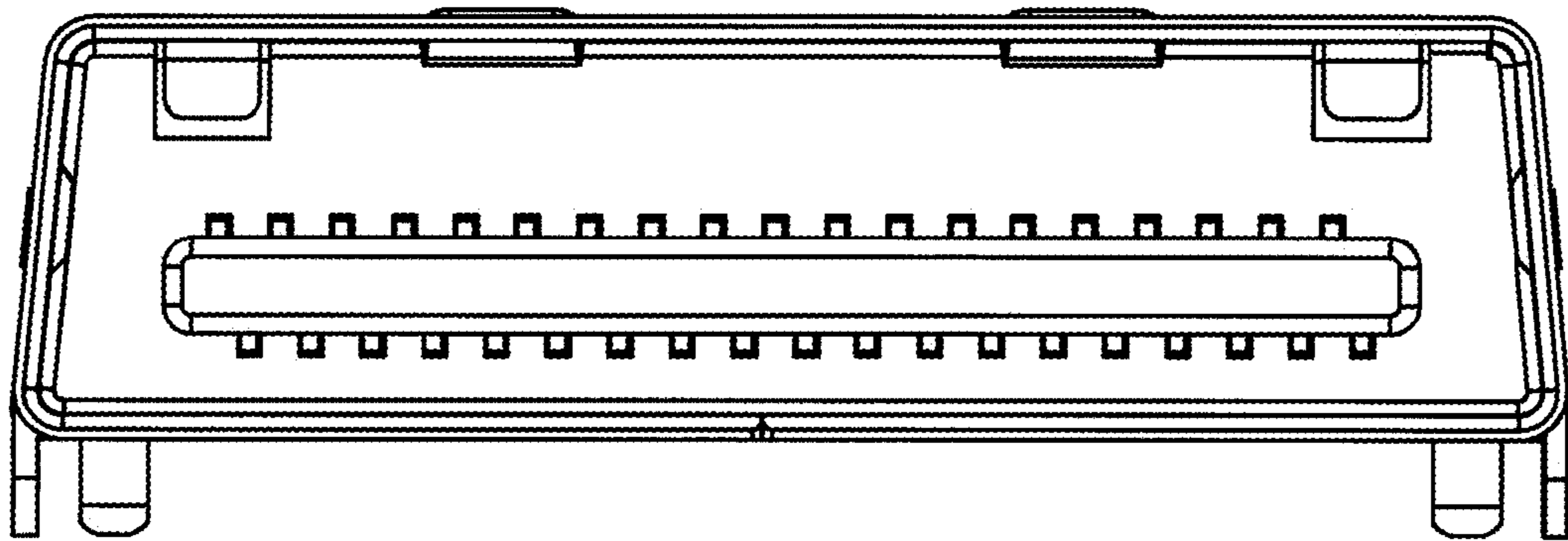


Fig. 1

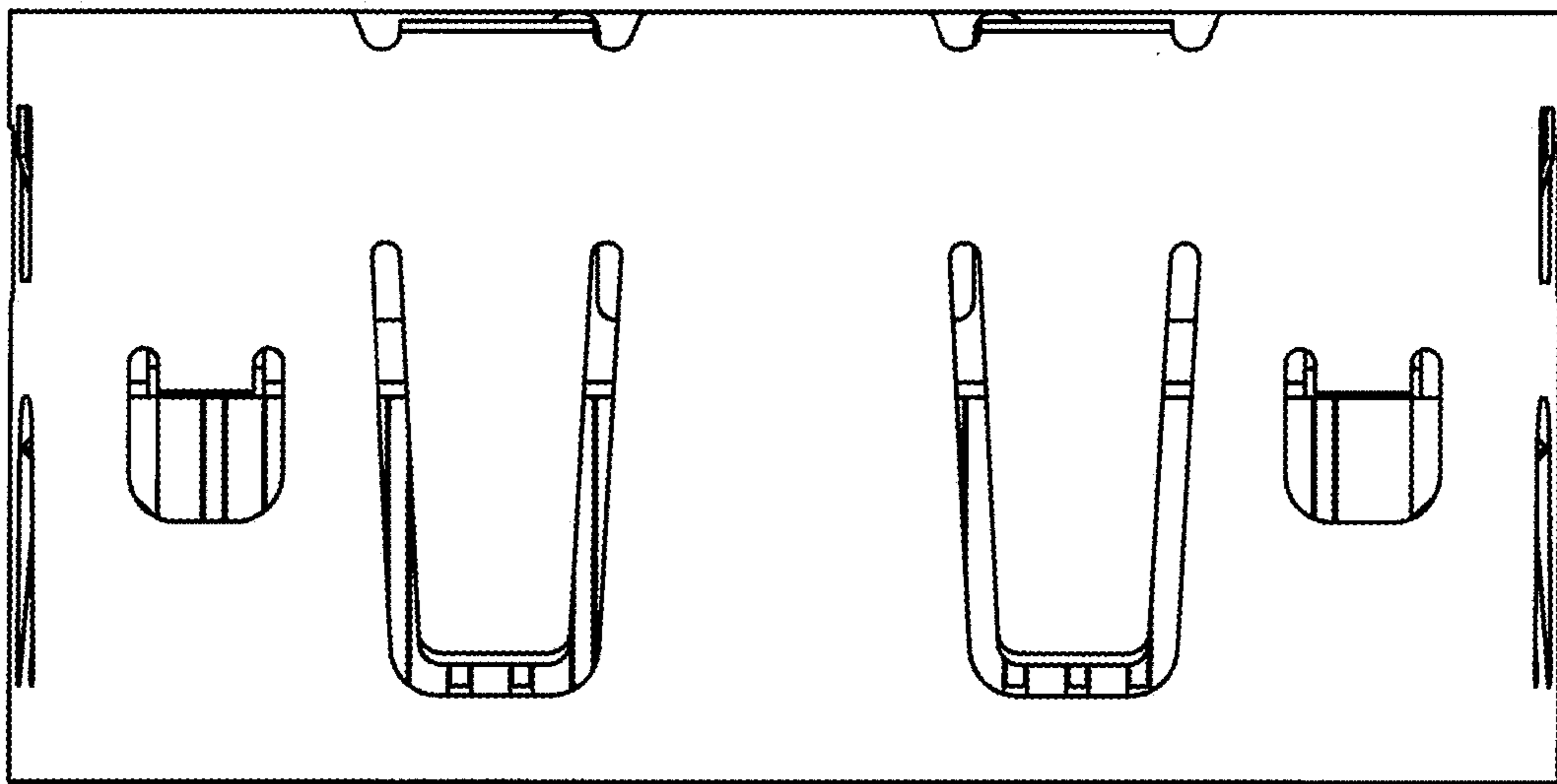


Fig. 2

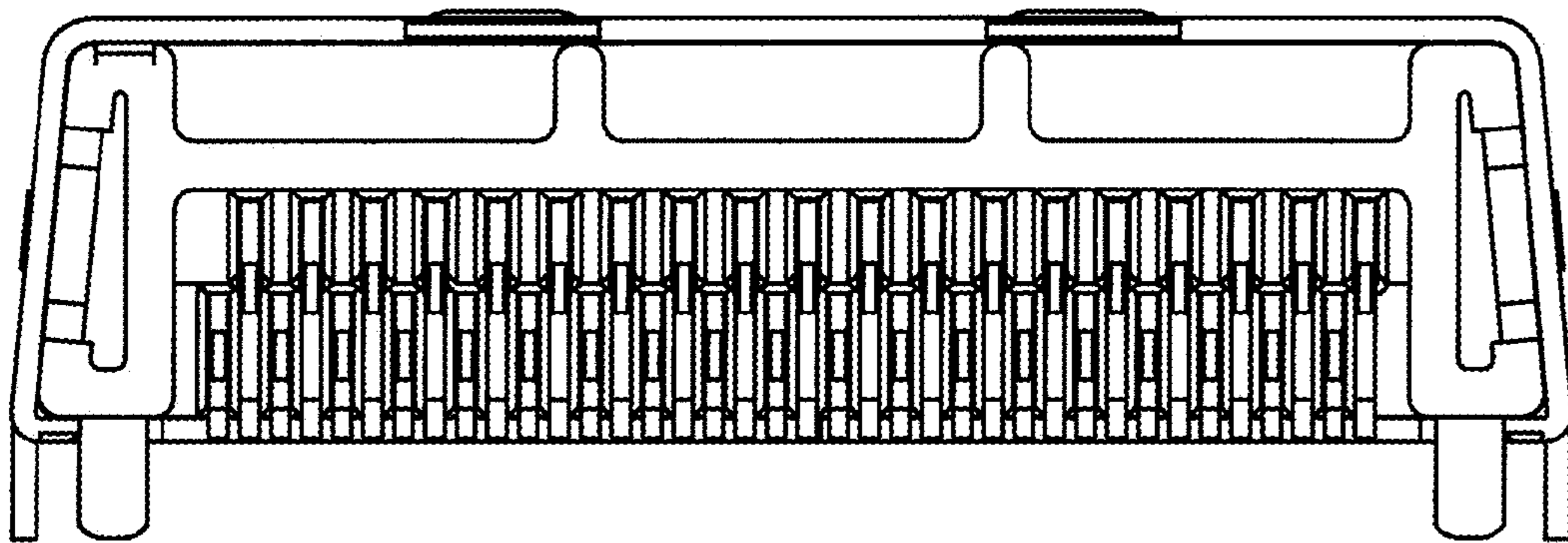


Fig. 3

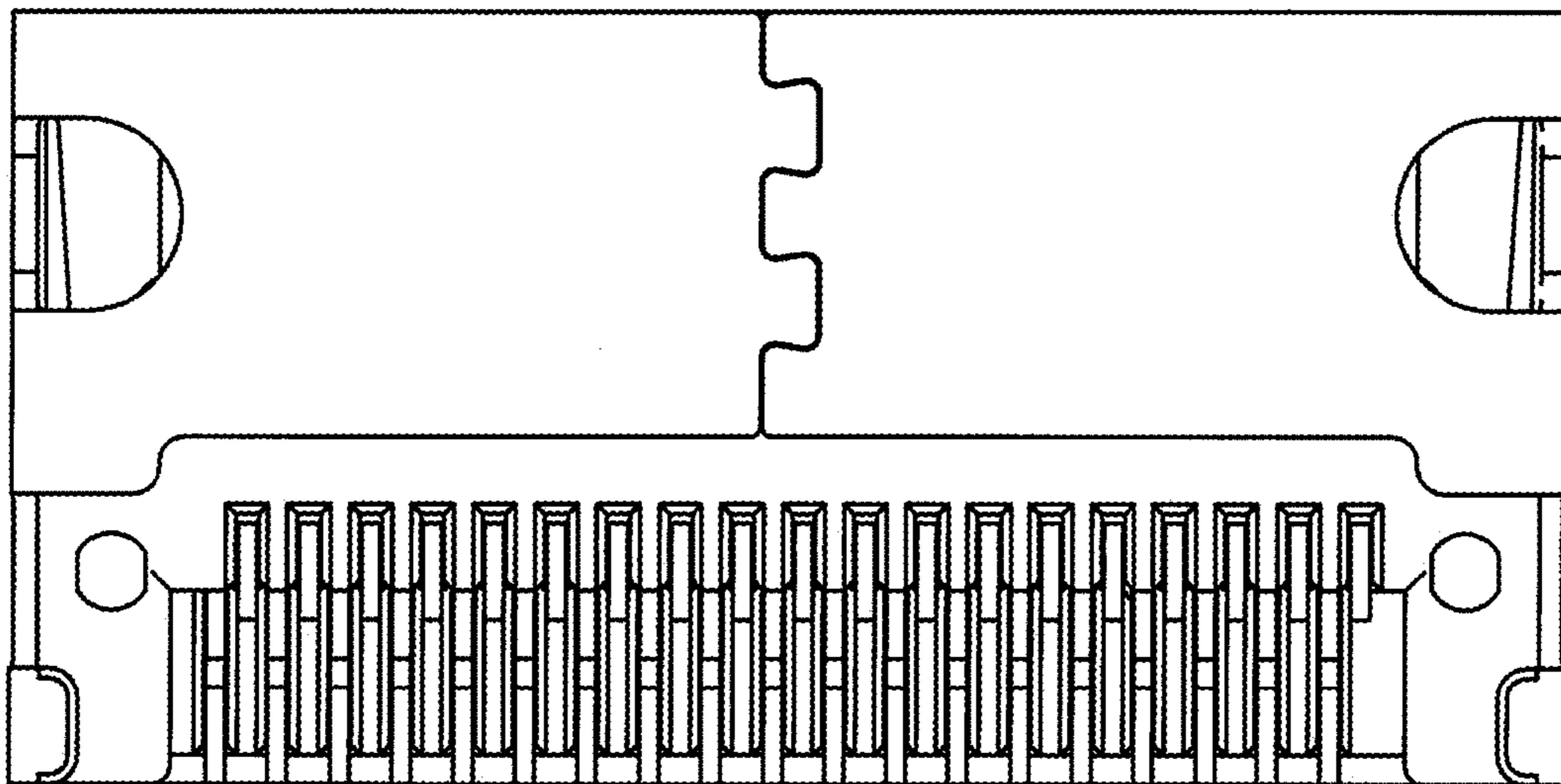


Fig. 4

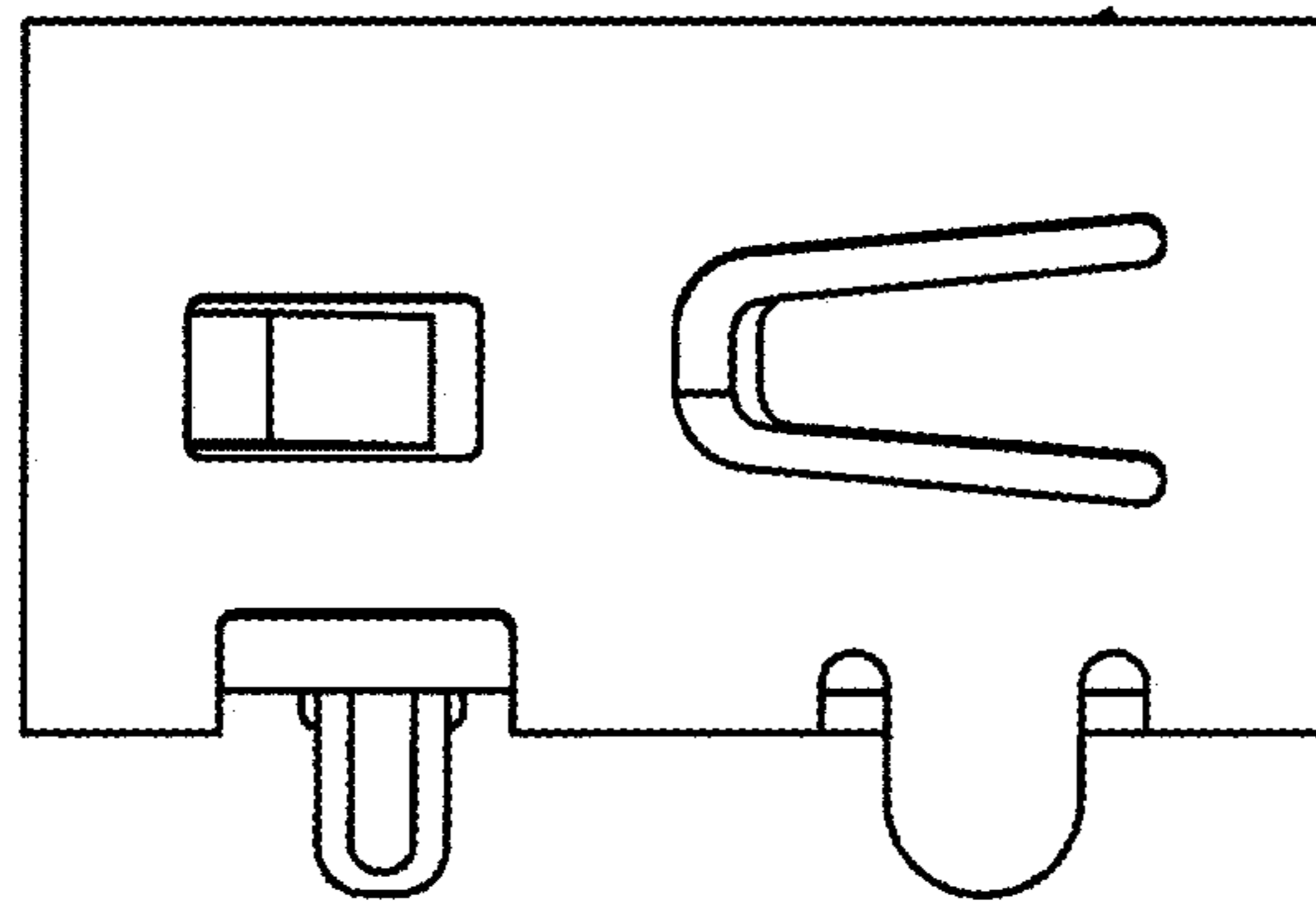


Fig. 5

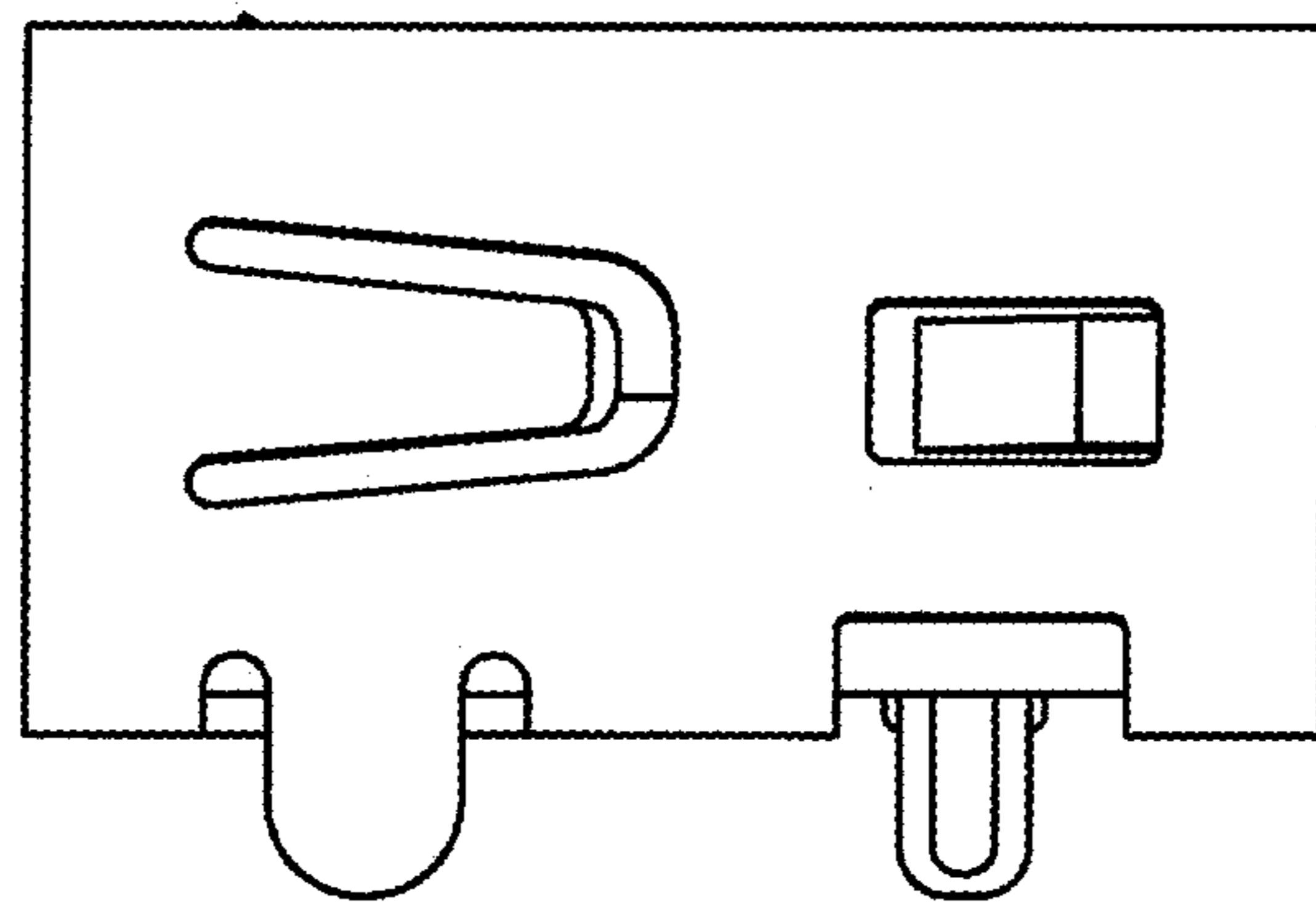


Fig. 6

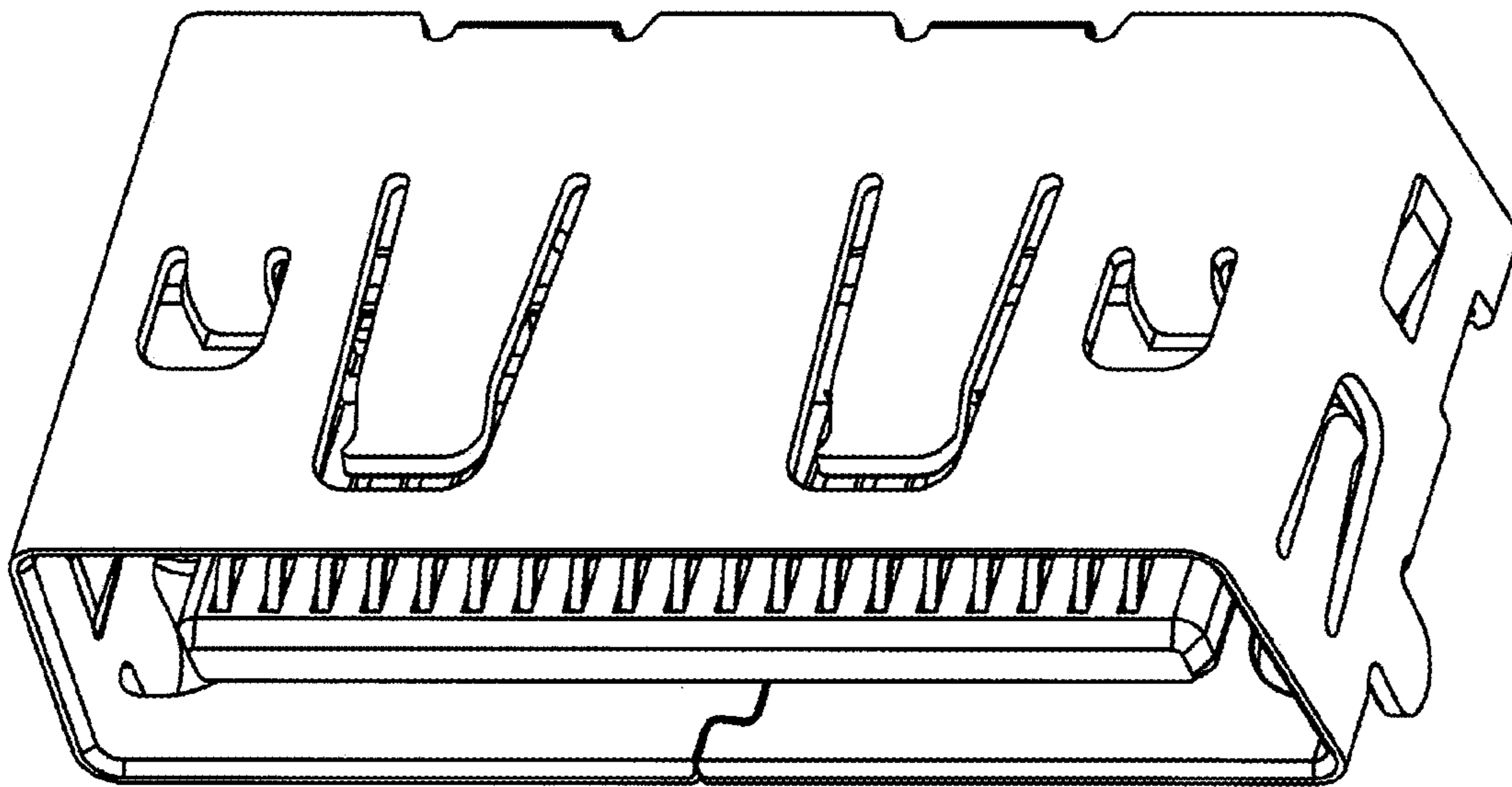


Fig. 7



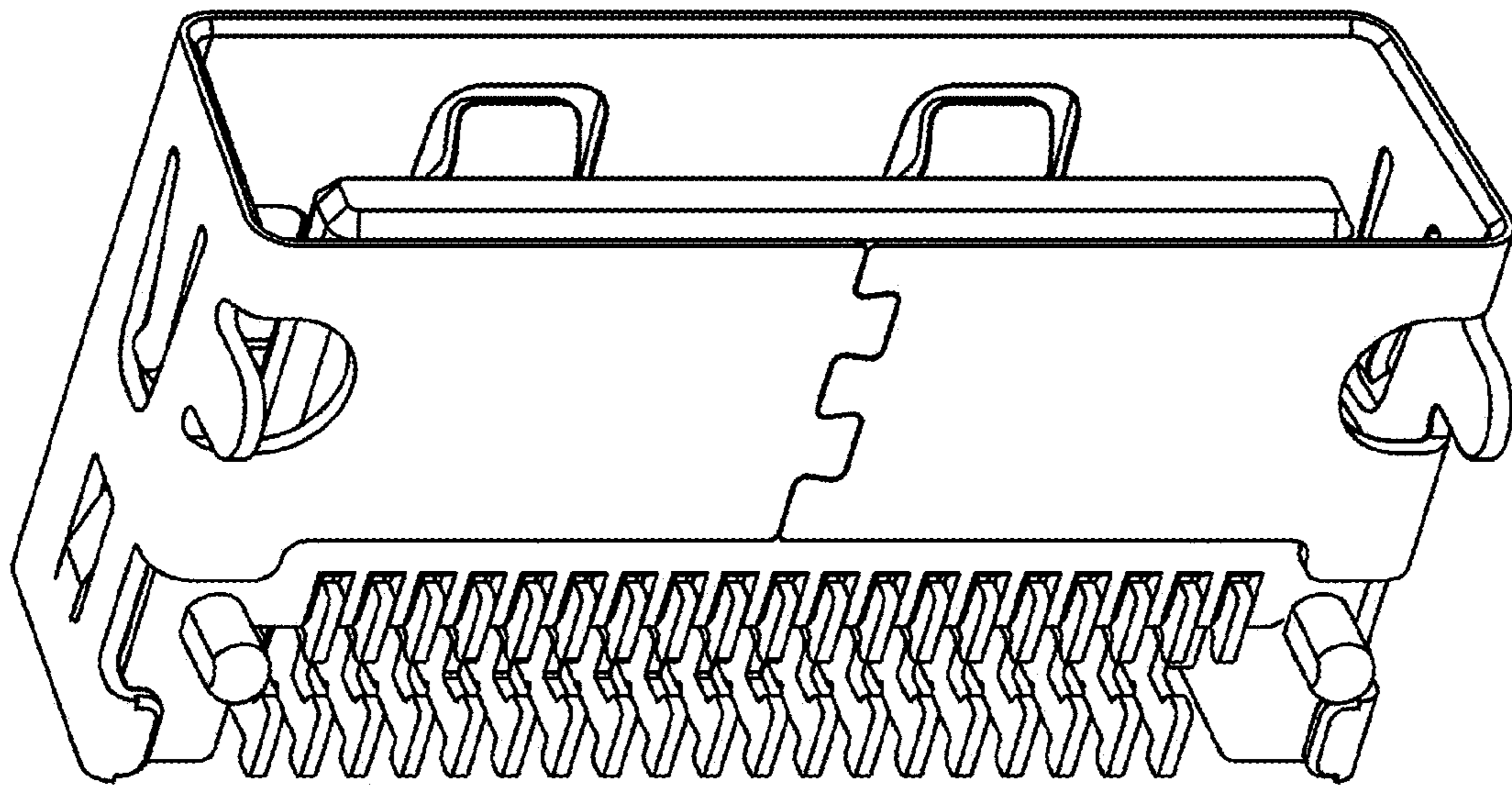


Fig. 8

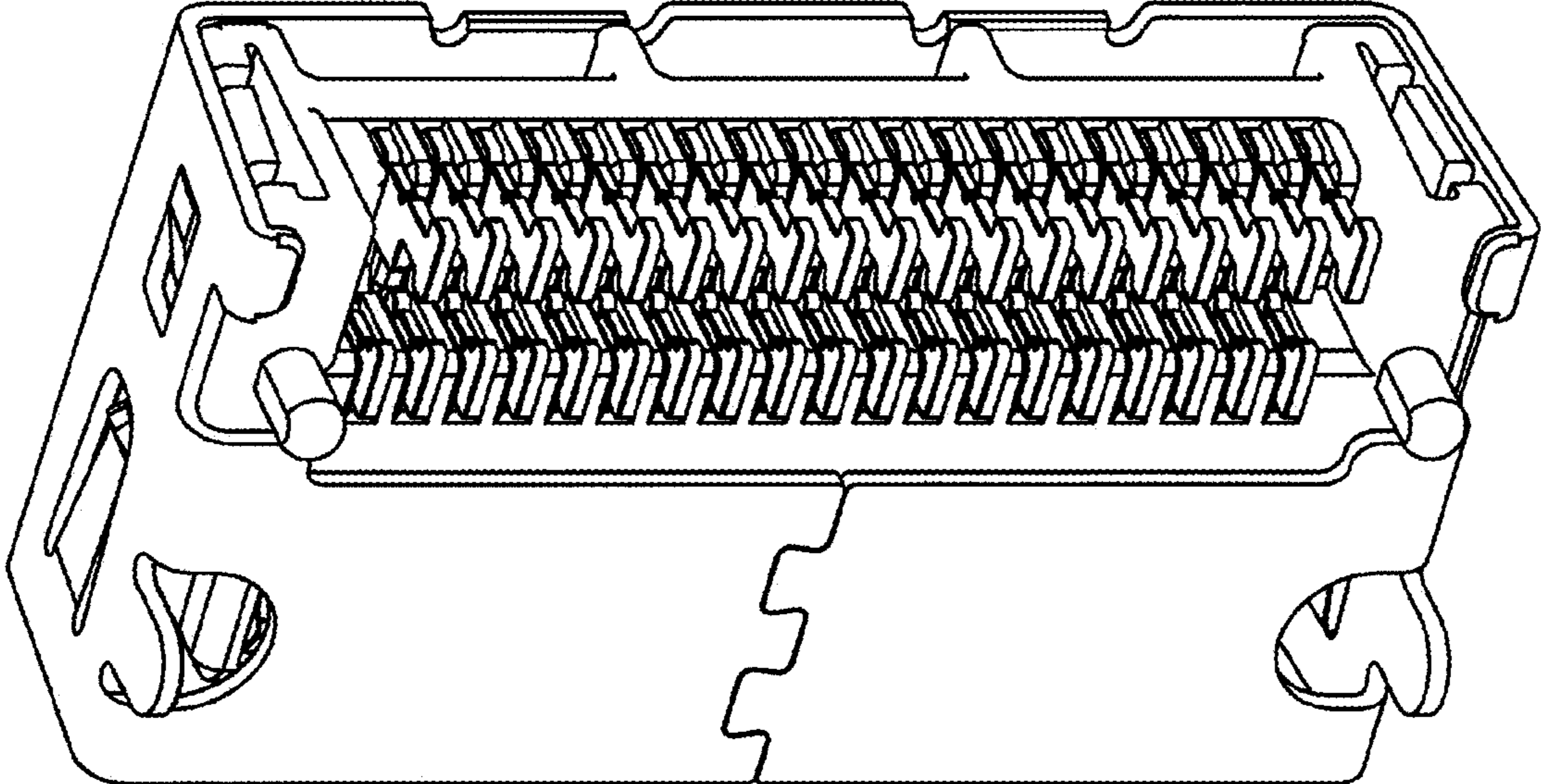


Fig. 9