



US00D748579S

(12) **United States Design Patent**  
**Yeh**

(10) **Patent No.:** **US D748,579 S**  
(45) **Date of Patent:** **\*\* Feb. 2, 2016**

(54) **POWER CONNECTOR**

(71) Applicant: **DELTA ELECTRONICS, INC.,**  
Taoyuan Hsien (TW)

(72) Inventor: **Chun-Hsiung Yeh,** Taoyuan Hsien (TW)

(73) Assignee: **DELTA ELECTRONICS, INC.,**  
Taoyuan Hsien (TW)

(\*\*) Term: **14 Years**

(21) Appl. No.: **29/486,541**

(22) Filed: **Mar. 31, 2014**

(51) **LOC (10) Cl.** ..... **13-03**

(52) **U.S. Cl.**  
USPC ..... **D13/146**

(58) **Field of Classification Search**  
USPC ..... D13/146, 147, 154, 184, 199  
See application file for complete search history.

(56) **References Cited**

**U.S. PATENT DOCUMENTS**

D411,827 S *	7/1999	Gilliland .....	D13/147
D573,106 S *	7/2008	Shu .....	D13/156
D652,798 S *	1/2012	Sekine .....	D13/133
D659,640 S *	5/2012	Tseng .....	D13/133

\* cited by examiner

*Primary Examiner* — Daniel Bui

(74) *Attorney, Agent, or Firm* — Kirton McConkie; Evan R. Witt

(57) **CLAIM**

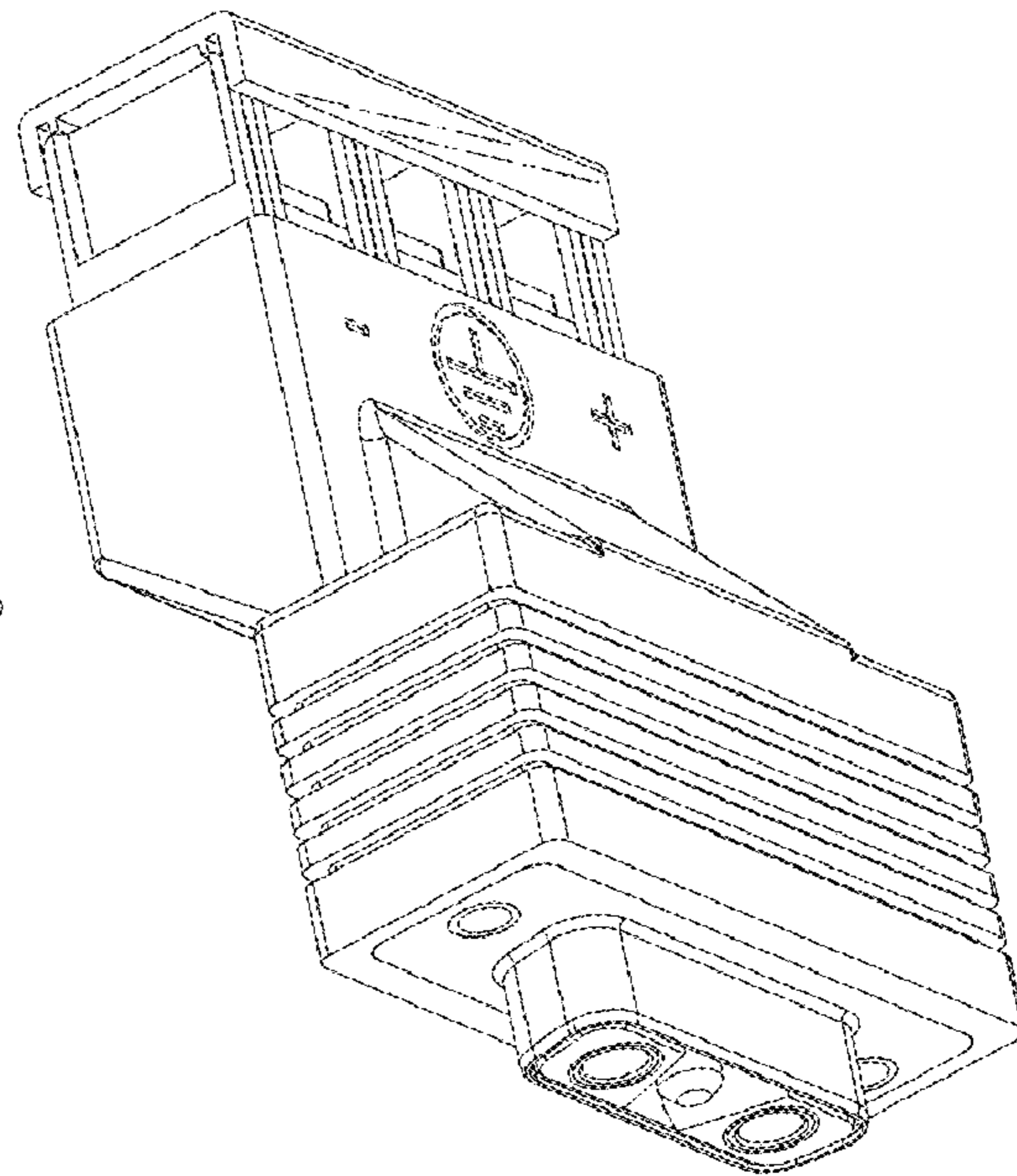
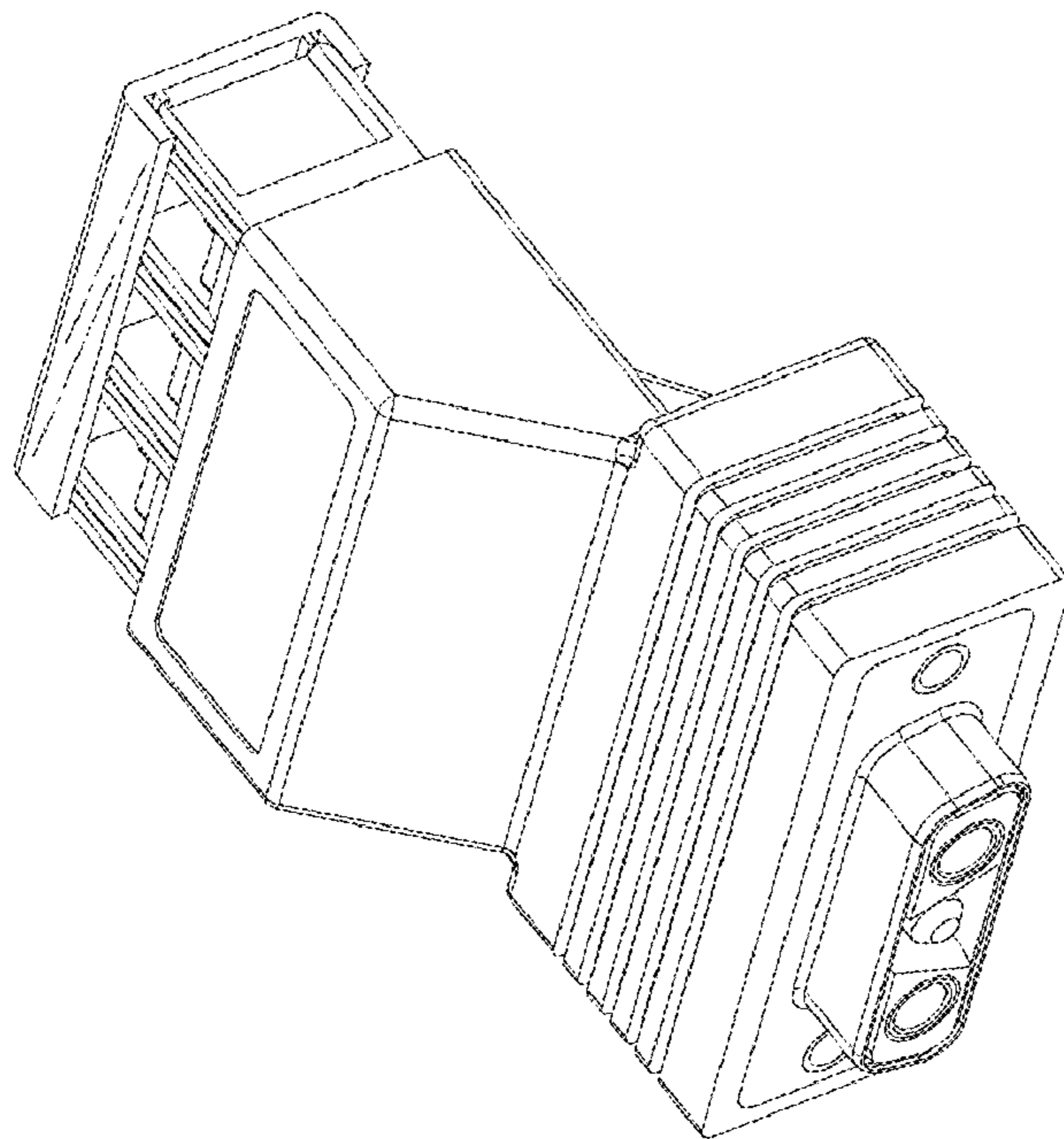
The ornamental design for a power connector, as shown and described.

**DESCRIPTION**

FIG. 1 is a perspective view of a power connector showing my new design;  
FIG. 2 is another perspective view thereof;  
FIG. 3 is a front elevation view thereof;  
FIG. 4 is a rear elevation view thereof;  
FIG. 5 is a left side elevation view thereof;  
FIG. 6 is a right side elevation view thereof;  
FIG. 7 is a top plan view thereof; and,  
FIG. 8 is a bottom plan view thereof.

The broken line in the figure drawings is included for the purpose of illustrating environment and forms no part of the claimed design.

**1 Claim, 5 Drawing Sheets**



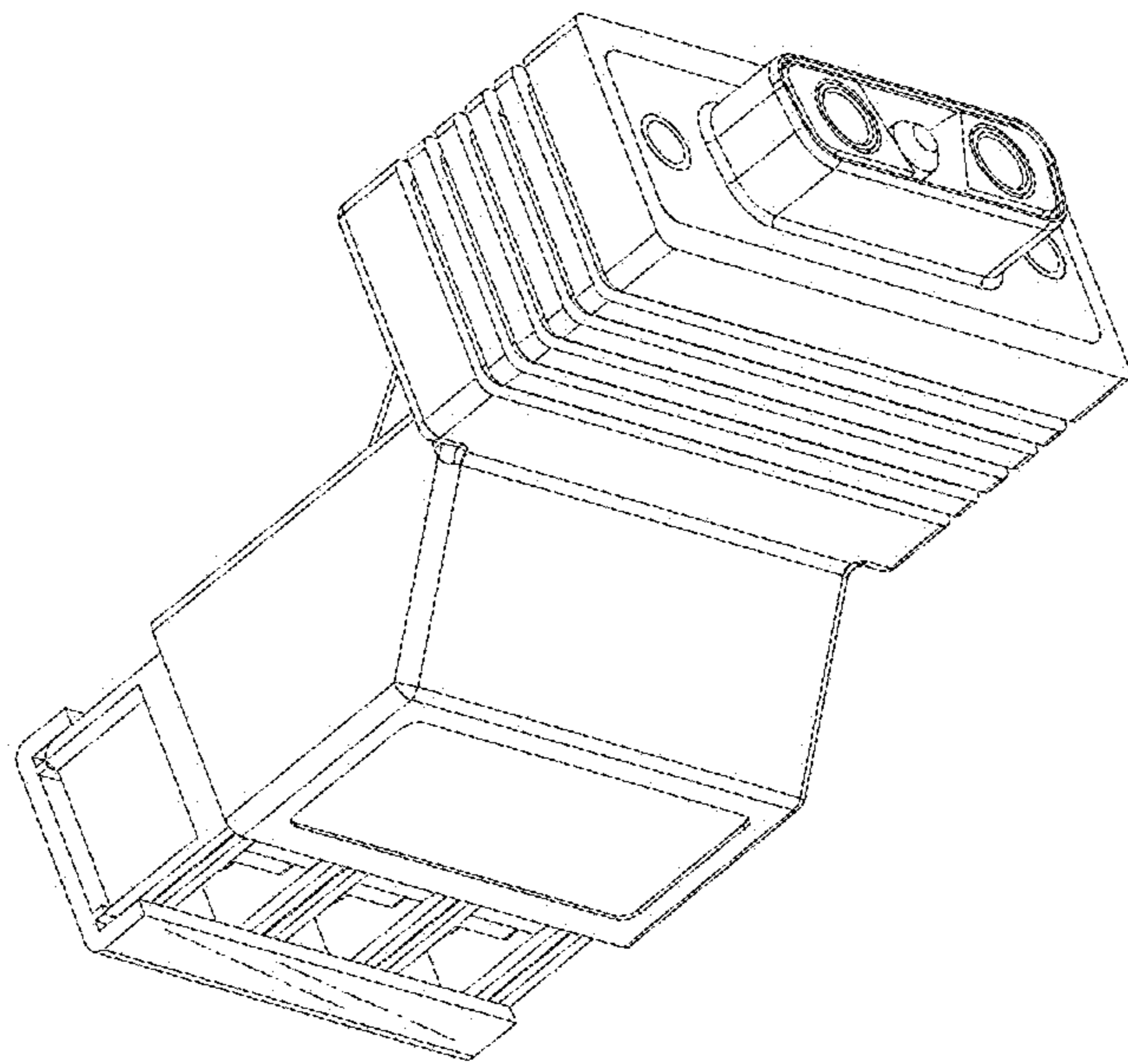


FIG. 1

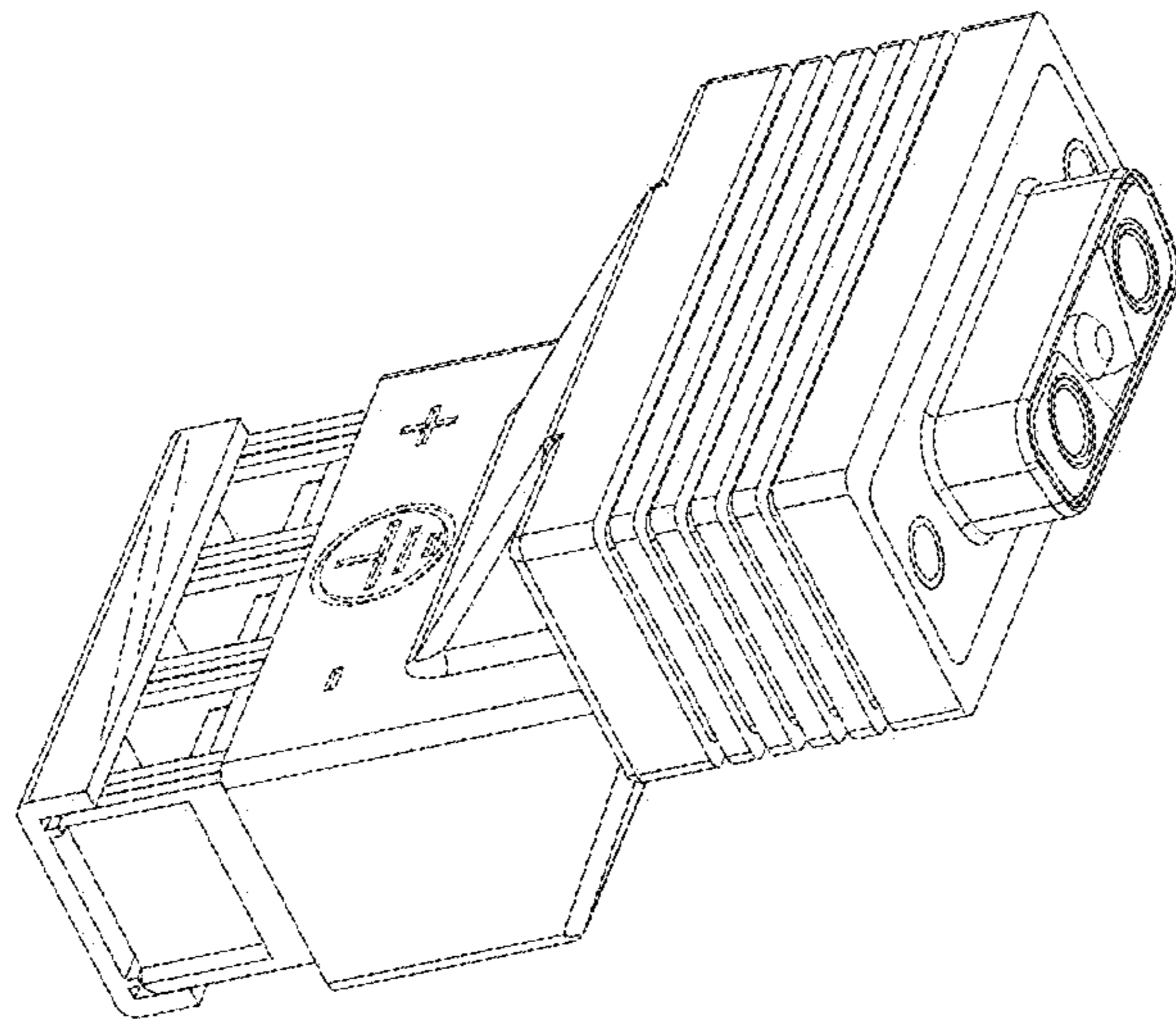


FIG. 2

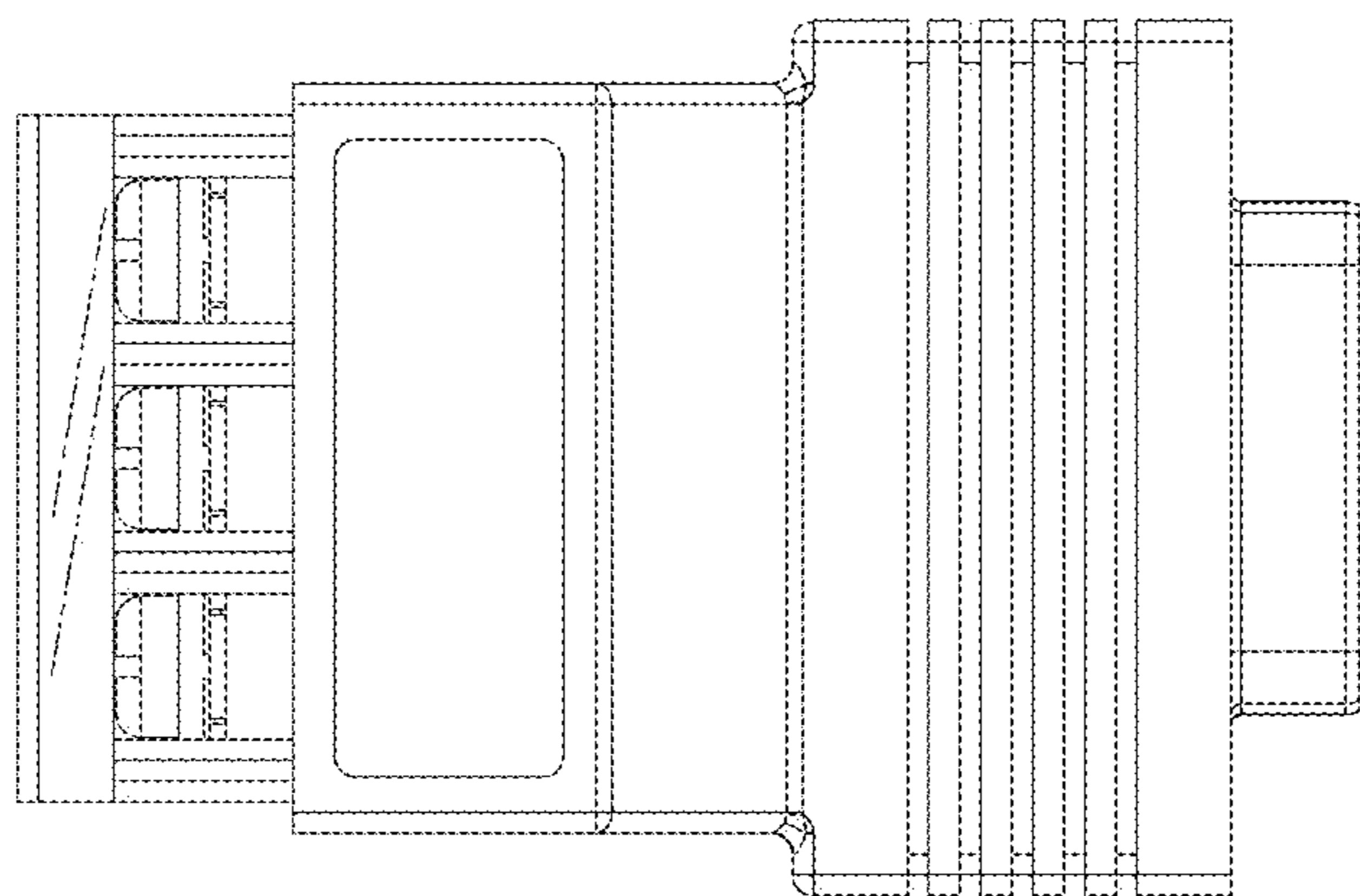


FIG. 4

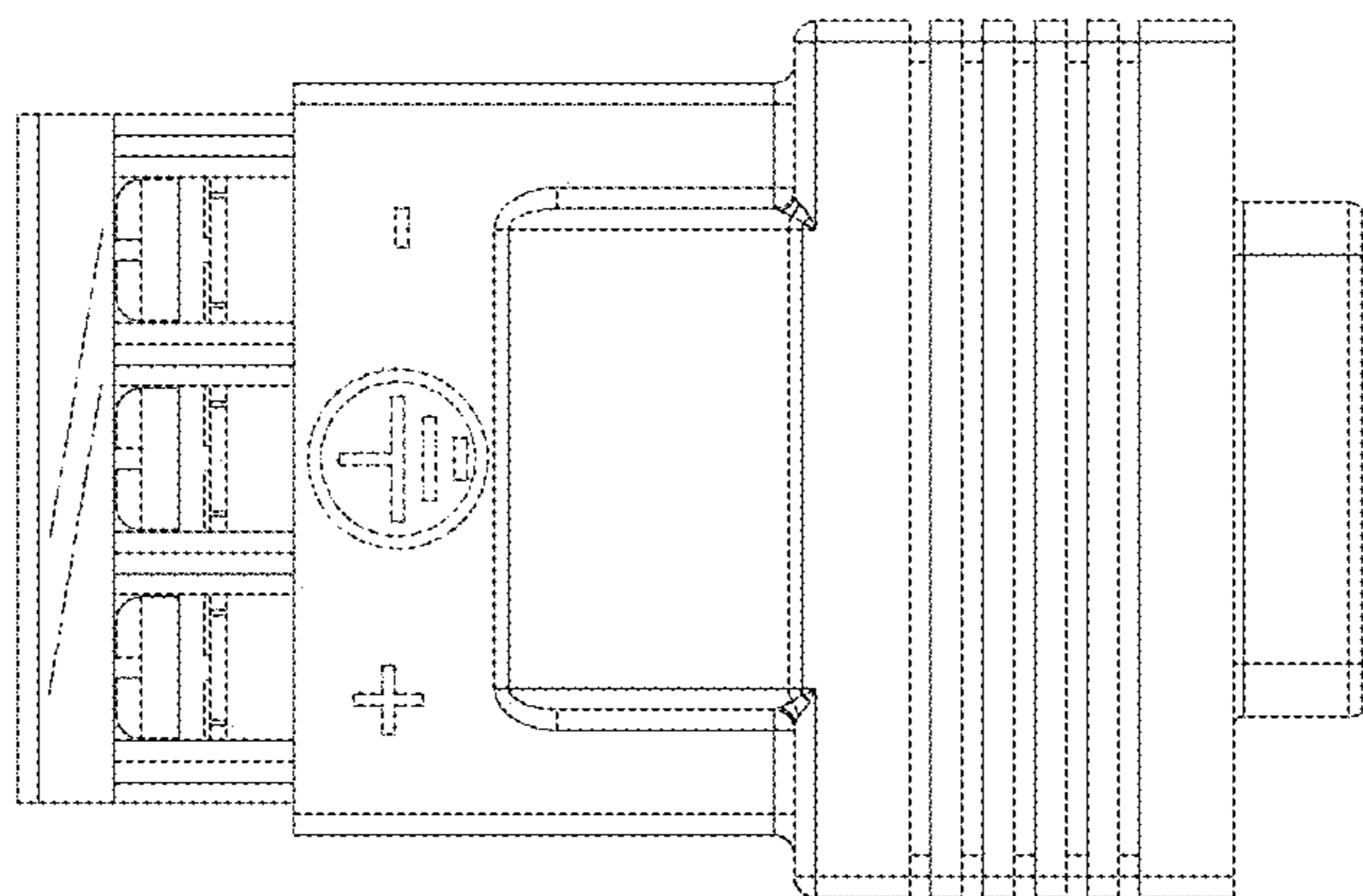


FIG. 3

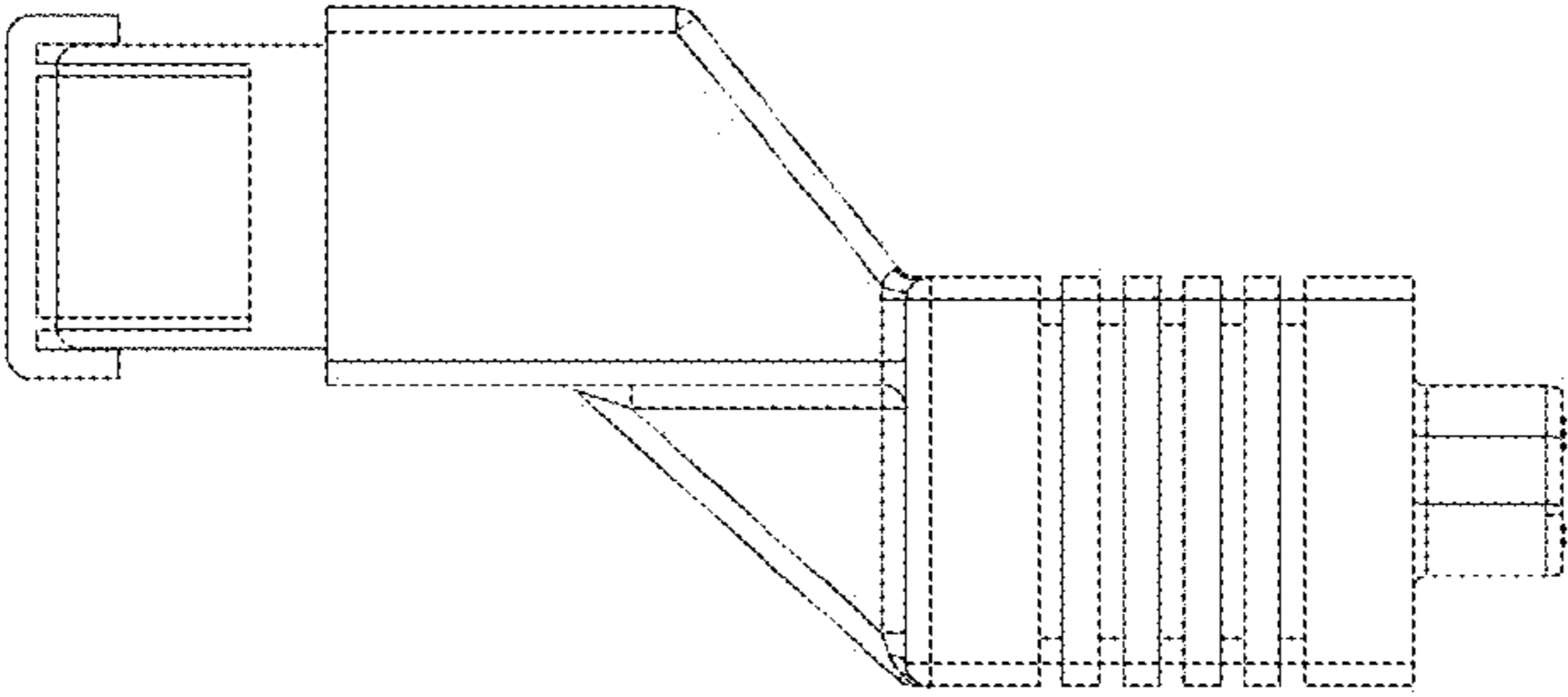


FIG. 6

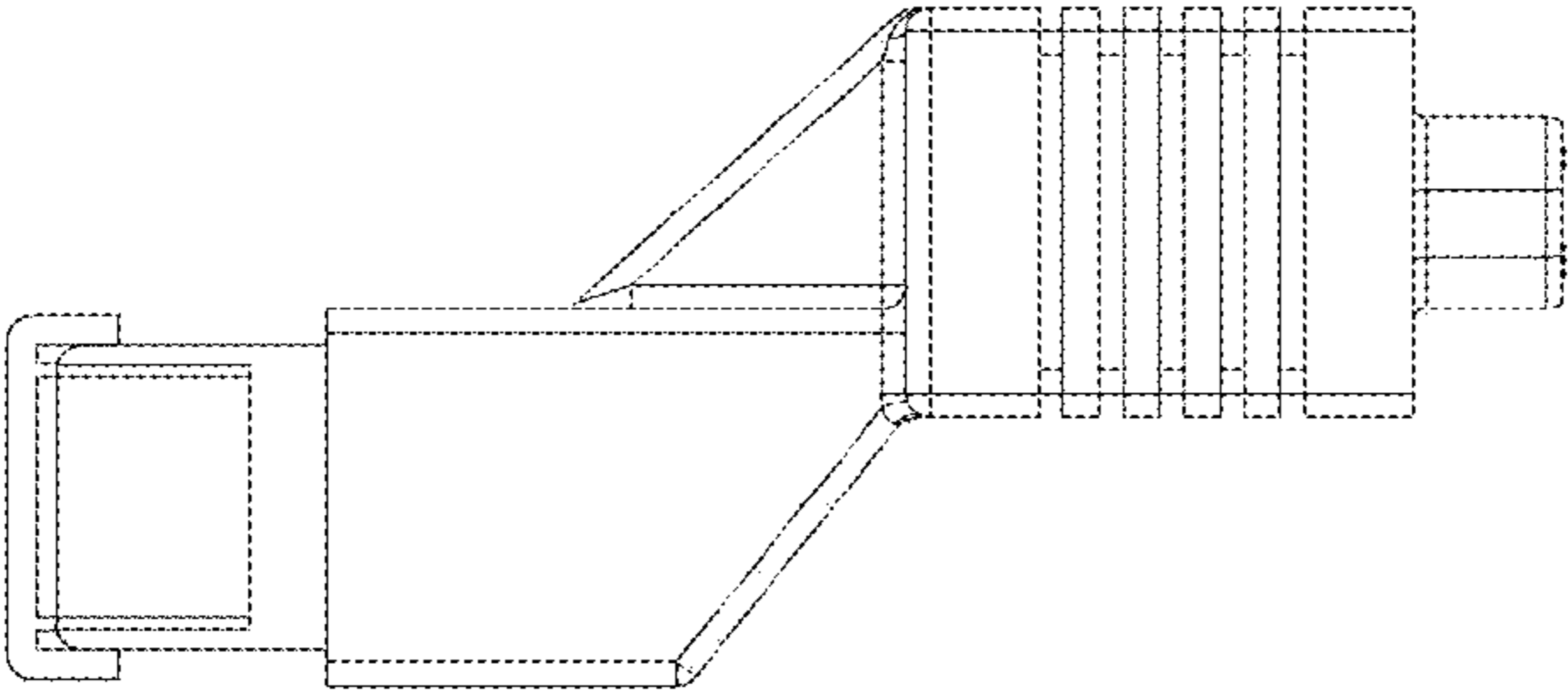


FIG. 5



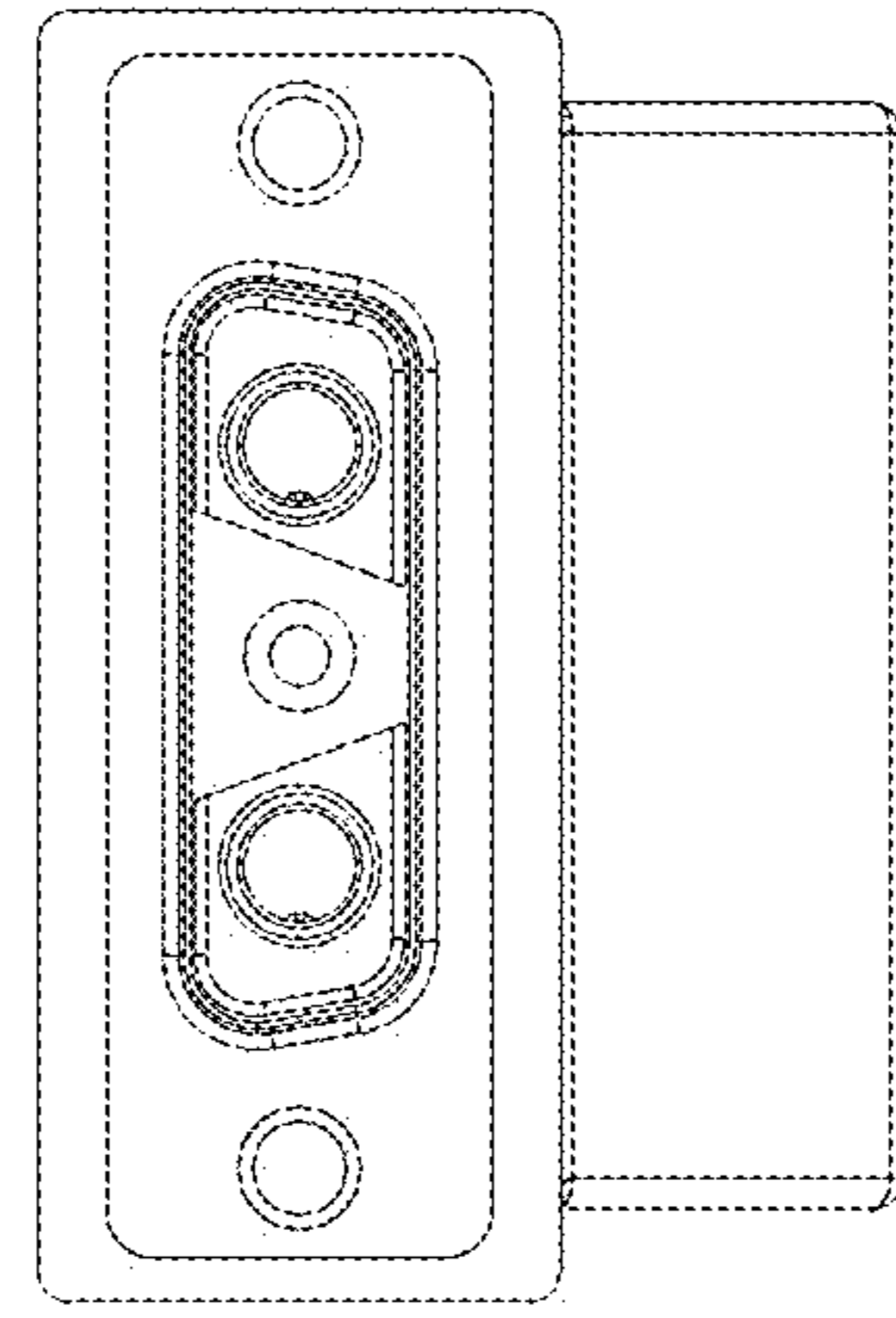


FIG. 8

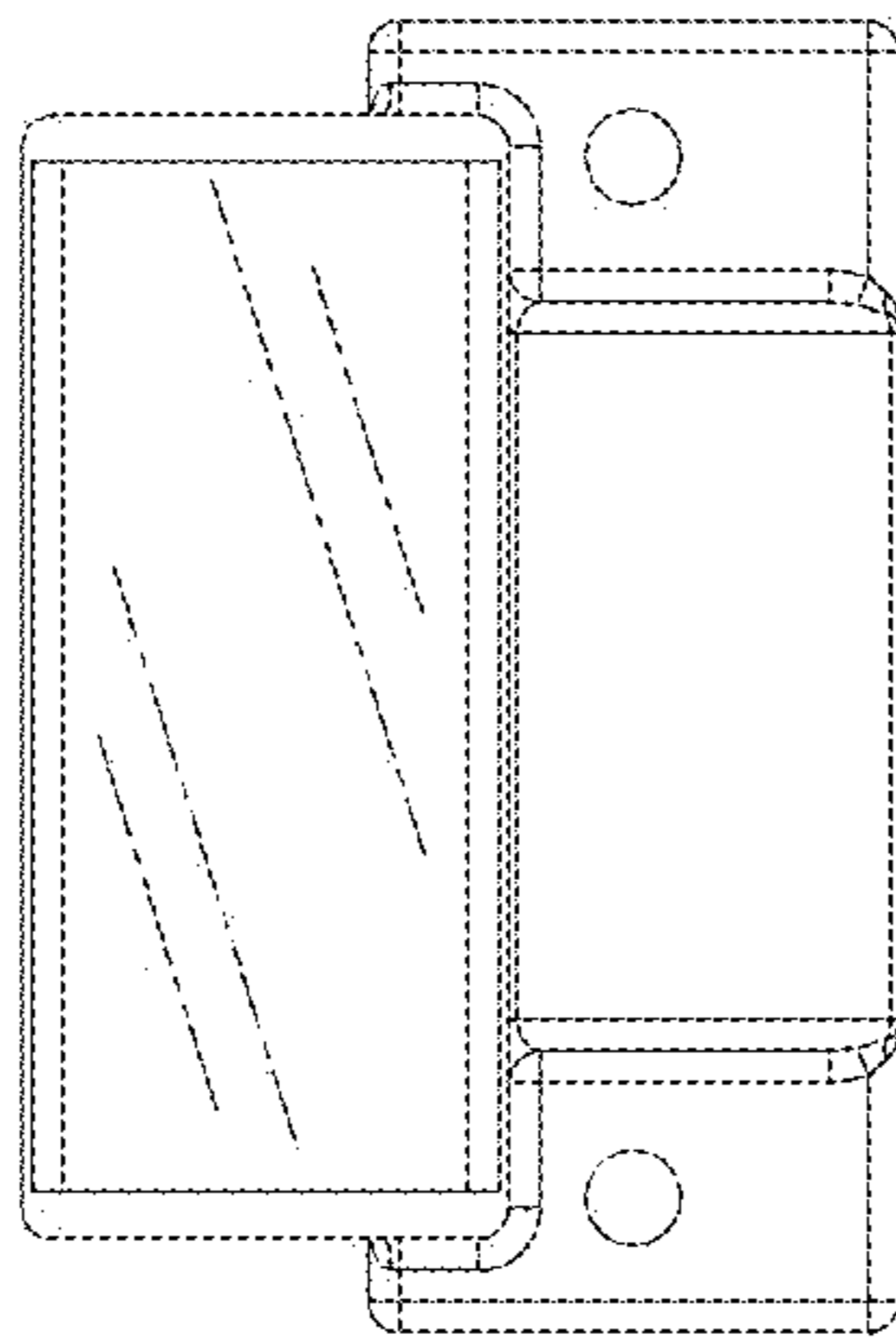


FIG. 7