



US00D748578S

(12) **United States Design Patent**  
**Takagi et al.**

(10) **Patent No.:** **US D748,578 S**  
(45) **Date of Patent:** **\*\* Feb. 2, 2016**

(54) **ADAPTER PLATE**  
(71) Applicant: **Hitachi Kokusai Electric Inc.**, Tokyo (JP)  
(72) Inventors: **Kosuke Takagi**, Toyama (JP); **Takaaki Noda**, Toyama (JP)  
(73) Assignee: **Hitachi Kokusai Electric Inc.**, Tokyo (JP)  
(\*\*) Term: **14 Years**  
(21) Appl. No.: **29/510,989**  
(22) Filed: **Dec. 5, 2014**

4,454,565 A \* 6/1984 Krasij ..... H02B 1/044  
200/295  
4,687,165 A \* 8/1987 Blackburn ..... B23Q 1/25  
248/178.1  
5,438,483 A \* 8/1995 Fasano ..... H02B 1/048  
174/66  
5,643,024 A \* 7/1997 Roberson, Jr. .... B63H 20/32  
440/76  
6,205,994 B1 \* 3/2001 Freund ..... B28D 5/0011  
125/23.01  
D492,253 S \* 6/2004 Lee ..... D13/137.2  
D529,000 S \* 9/2006 Ishii ..... D13/182  
D585,834 S \* 2/2009 Mason ..... D13/154  
D616,823 S \* 6/2010 Shi ..... D13/137.2  
D623,595 S \* 9/2010 Ruffner ..... D13/110  
D671,901 S \* 12/2012 Angelov ..... D13/182  
D676,387 S \* 2/2013 Kennedy ..... D13/137.2  
8,455,759 B2 \* 6/2013 Mortun ..... H01R 13/447  
174/50  
D719,091 S \* 12/2014 Leddusire ..... D13/110

(30) **Foreign Application Priority Data**  
Jun. 6, 2014 (JP) ..... 2014-012298

(51) **LOC (10) Cl.** ..... **13-03**  
(52) **U.S. Cl.**  
USPC ..... **D13/137.2**

(58) **Field of Classification Search**  
USPC ..... D13/133, 154, 156, 152, 139.1-139.8,  
D13/137.1-137.4, 110, 177, 182; 174/50,  
174/17 R, 520, 53, 57, 58, 66, 67, 151,  
174/138 F, 113 R; 439/536, 105, 502, 373,  
439/108, 346; 220/3.2-3.94, 241, 242;  
361/600, 601, 679.01, 728, 730, 752,  
361/796  
CPC ..... H02G 3/08; H02G 3/081; H02G 3/086;  
H02G 3/10; H02G 3/14; H02B 1/056; H02B  
1/0565; H02B 1/26; H02B 1/32; H01R 31/06;  
H01R 31/065; H01R 31/00; H01R 33/94  
See application file for complete search history.

(56) **References Cited**  
U.S. PATENT DOCUMENTS  
2,570,559 A \* 10/1951 Juergenson ..... B60B 3/14  
301/35.629  
3,009,167 A \* 11/1961 Leonard, Jr. .... E03C 1/01  
285/64

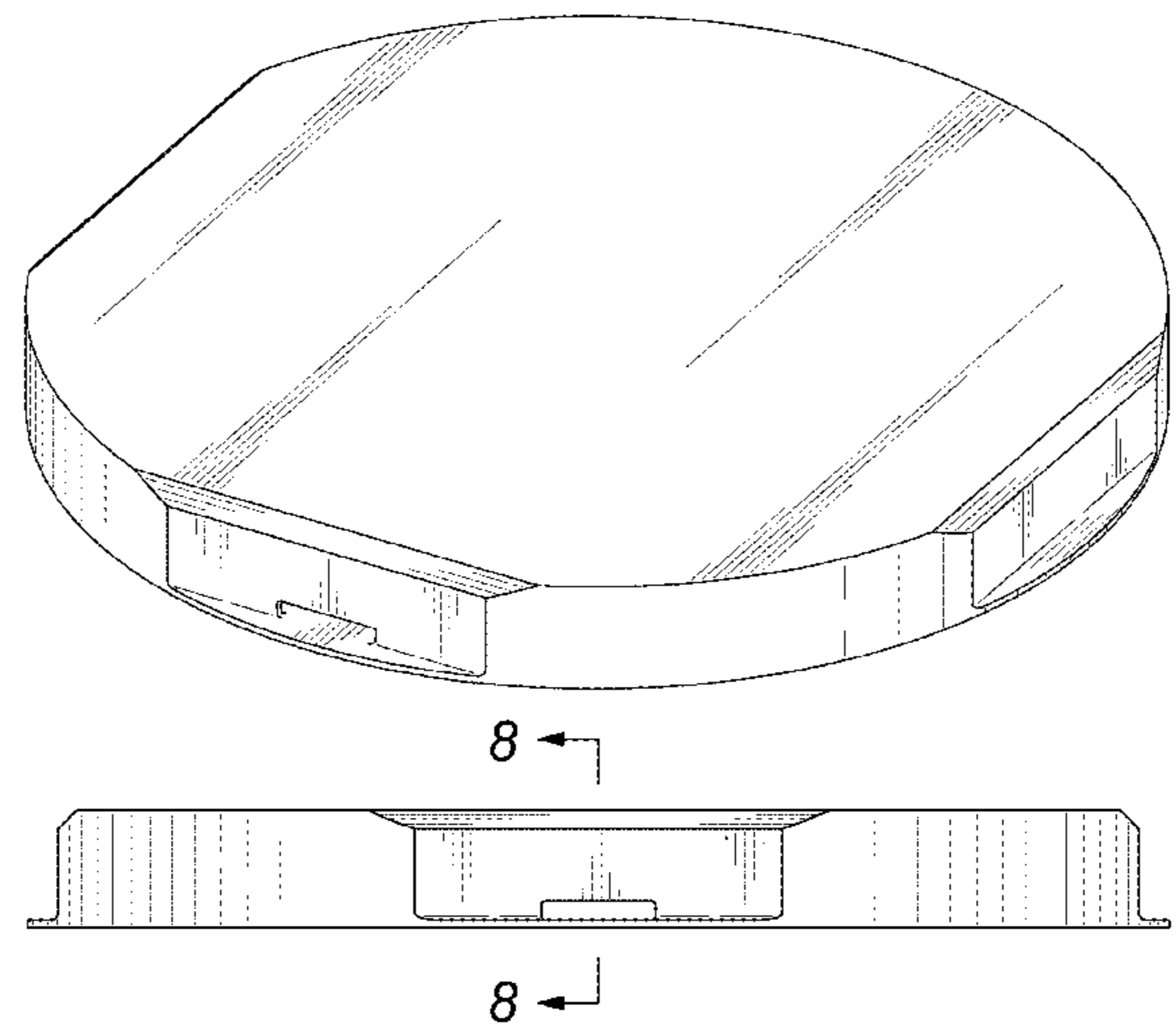
\* cited by examiner  
*Primary Examiner* — Elizabeth J Oswecki  
(74) *Attorney, Agent, or Firm* — Fitch, Even, Tabin and Flannery LLP

(57) **CLAIM**  
We claim the ornamental design for a adapter plate, as shown and described.

**DESCRIPTION**

FIG. 1 is a front, top and right side perspective view of an adapter plate showing our new design;  
FIG. 2 is a front elevational view thereof;  
FIG. 3 is a rear elevational view thereof;  
FIG. 4 is a top plan view thereof;  
FIG. 5 is a bottom plan view thereof; and  
FIG. 6 is a left side elevational view thereof;  
FIG. 7 is a right side elevational view thereof; and,  
FIG. 8 is a cross-sectional view taken along lines 8-8 in FIG. 2.

**1 Claim, 4 Drawing Sheets**



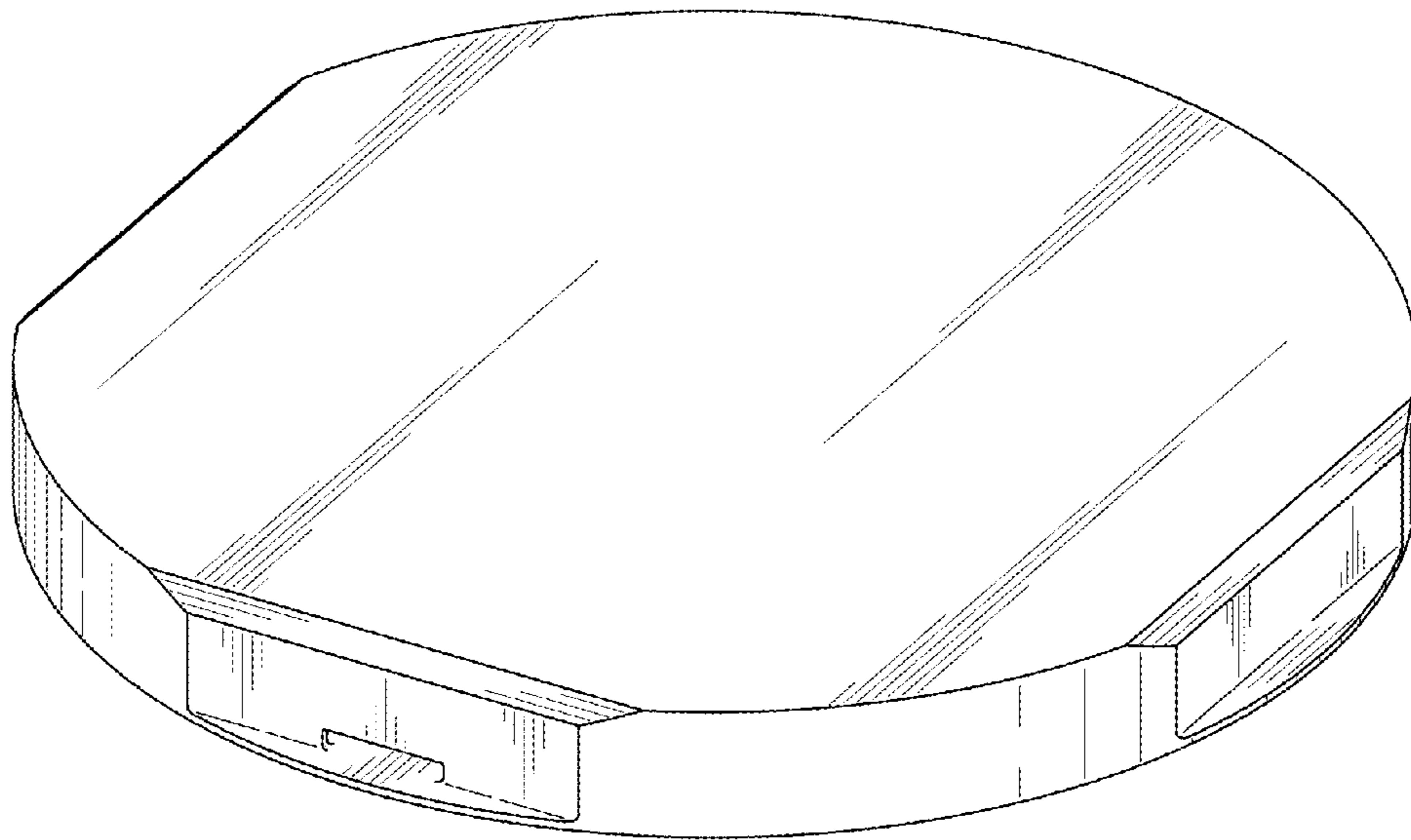


FIG. 1

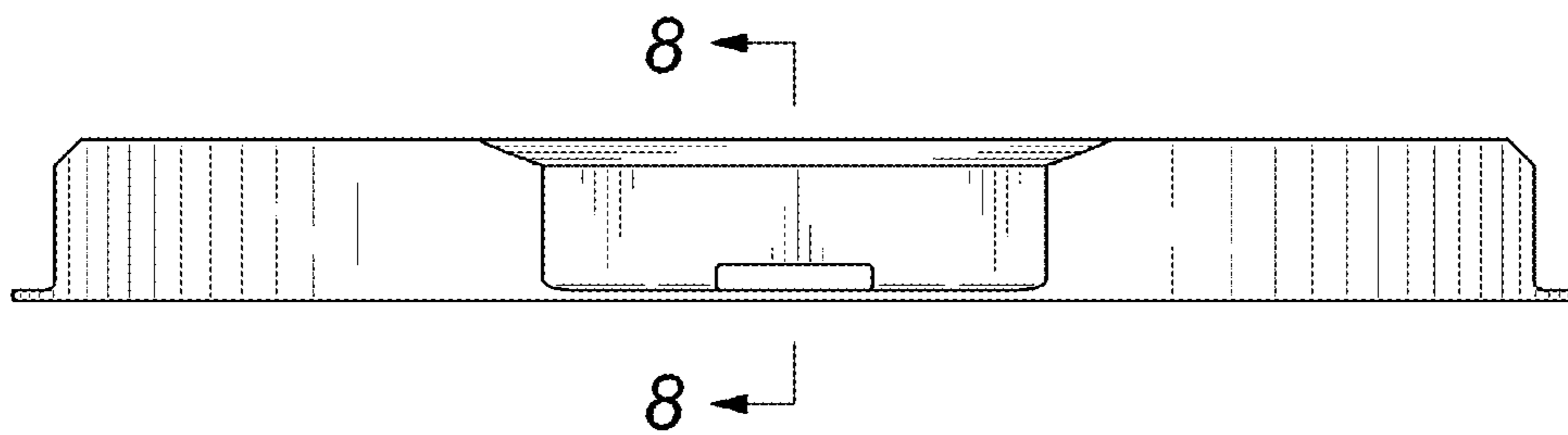


FIG. 2

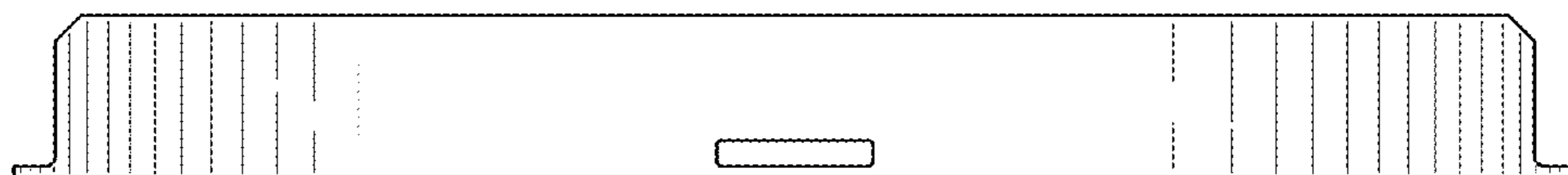


FIG. 3

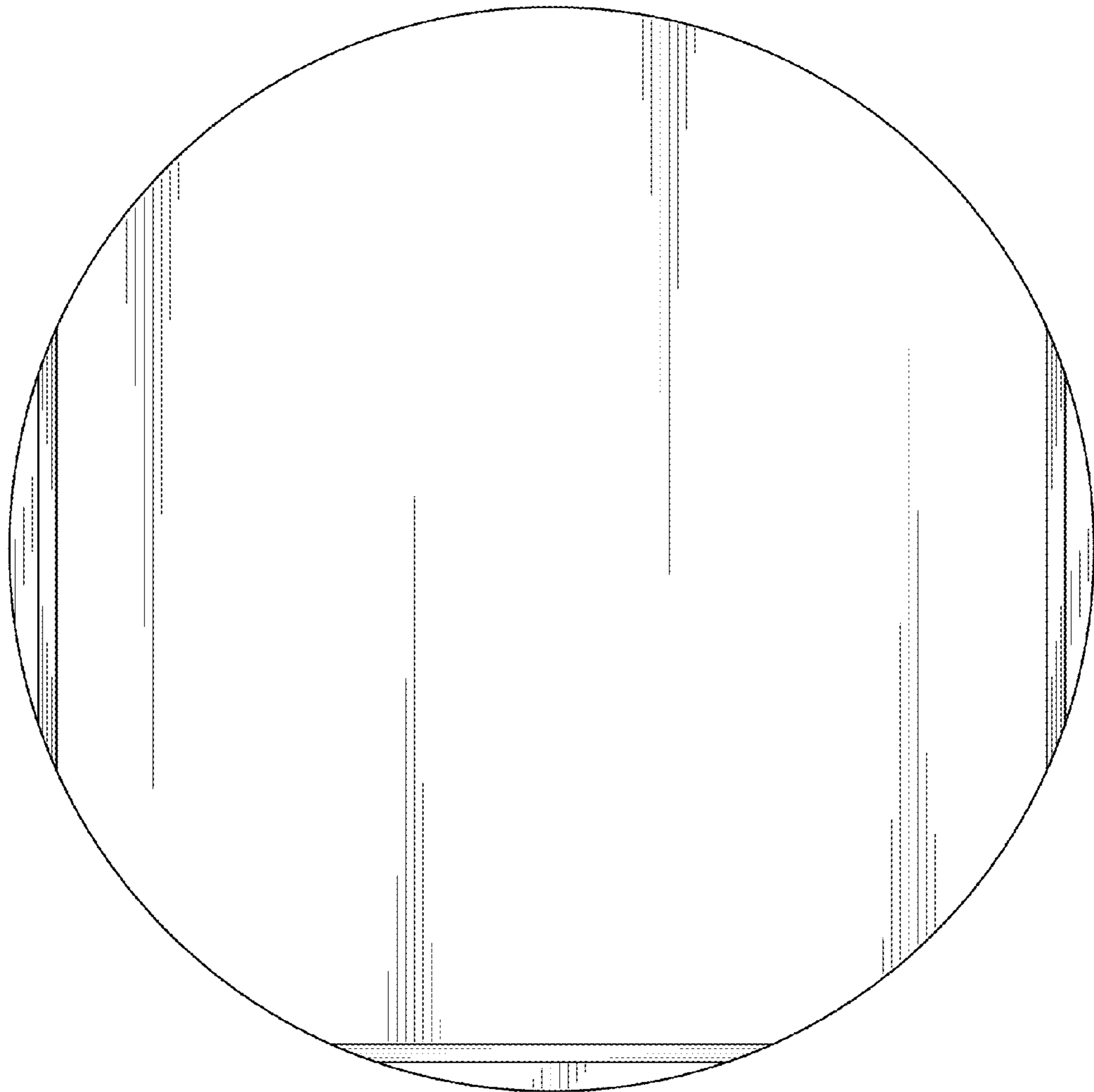
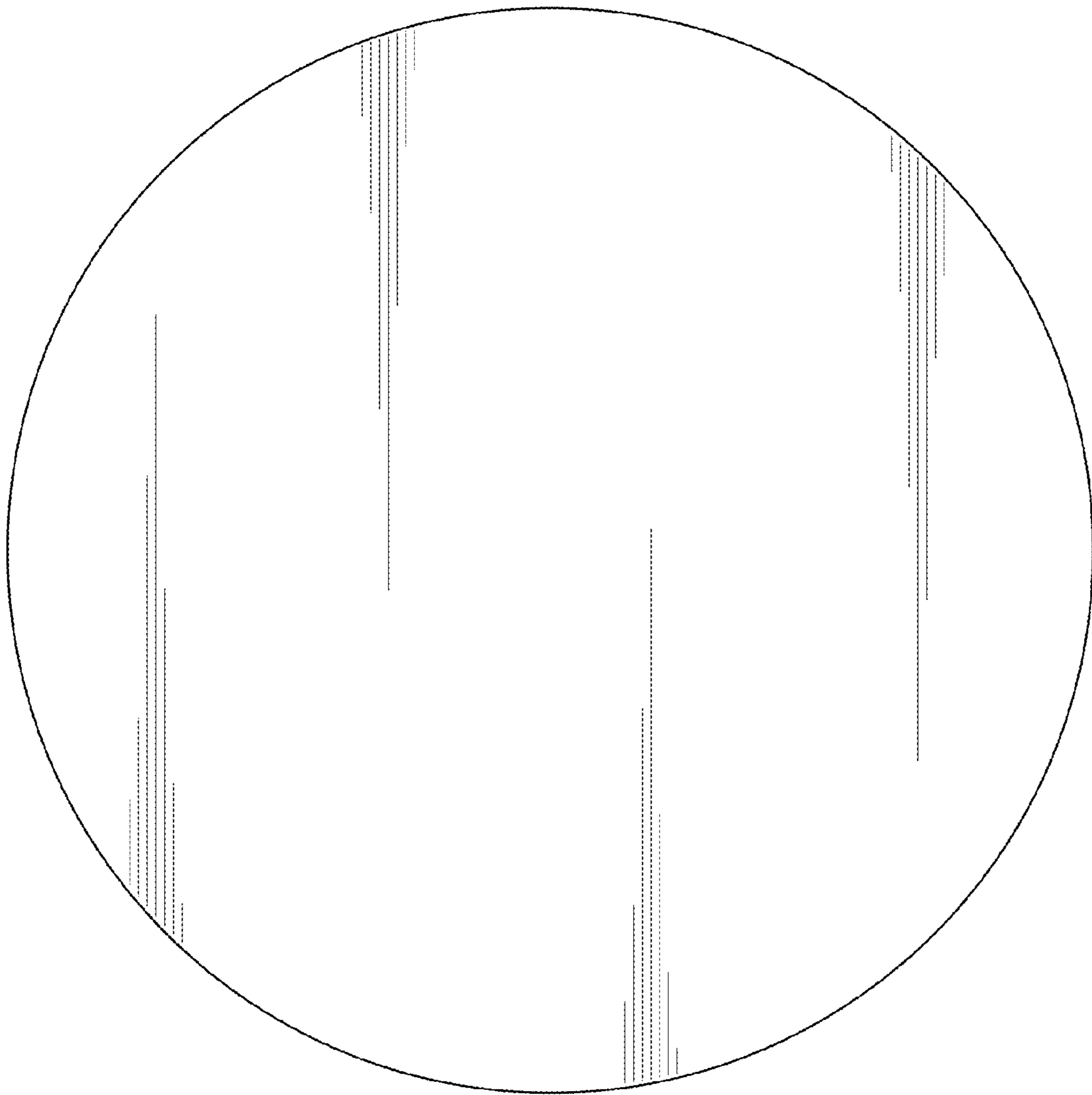


FIG. 4



*FIG. 5*

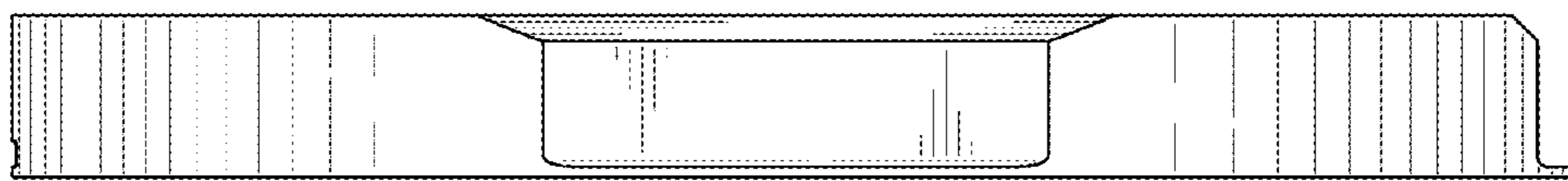


FIG. 6

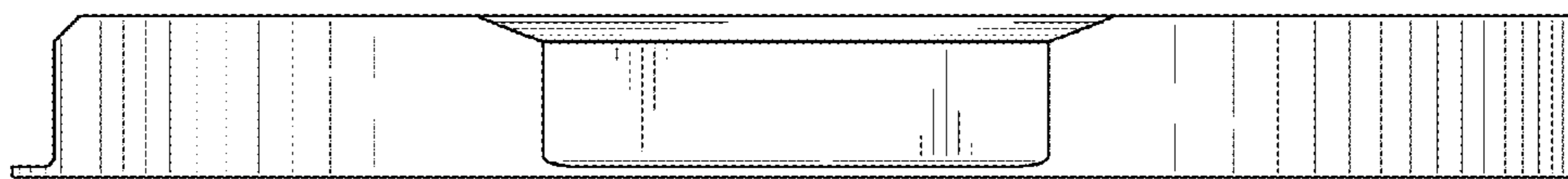


FIG. 7

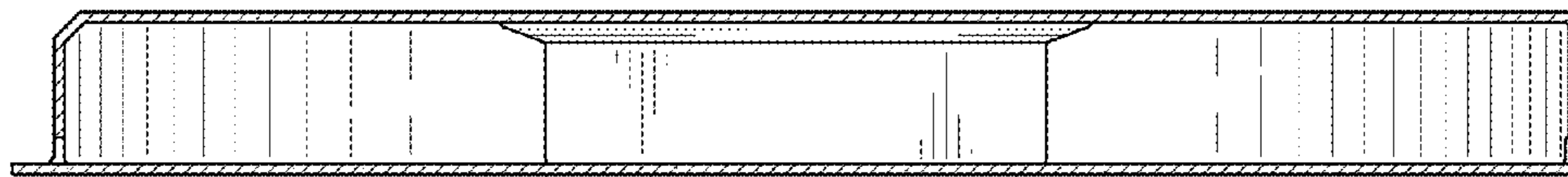


FIG. 8