



US00D748576S

(12) **United States Design Patent**  
**Guinard**

(10) **Patent No.:** **US D748,576 S**

(45) **Date of Patent:** **\*\* Feb. 2, 2016**

(54) **TURBINE DEVICE FOR GENERATING ELECTRICITY FROM OCEAN CURRENTS**

(71) Applicant: **GUINARD ENERGIES SARL**, Brest (FR)

(72) Inventor: **Paul Guinard**, Saint Cloud (FR)

(73) Assignee: **GUINARD ENERGIES SARL**, Brest (FR)

(\*\*) Term: **14 Years**

(21) Appl. No.: **29/490,176**

(22) Filed: **May 7, 2014**

**Related U.S. Application Data**

(62) Division of application No. 29/399,981, filed on Aug. 22, 2011, now Pat. No. Des. 707,628.

**Foreign Application Priority Data**

Feb. 22, 2011 (EM) ..... 1824525-0001  
Feb. 22, 2011 (EM) ..... 1824525-0002  
Feb. 22, 2011 (EM) ..... 1824525-0003

(51) **LOC (10) Cl.** ..... **13-01**

(52) **U.S. Cl.**  
USPC ..... **D13/115**

(58) **Field of Classification Search**  
USPC ..... D13/101, 114, 115, 118, 122, 184, 199;  
D12/344, 345; D15/1, 199; 290/52, 54,  
290/55; 415/2.1, 3.1, 4.1-4.5, 7, 10, 21, 24,  
415/37, 38, 60, 64, 66, 67, 68, 127, 129,  
415/132, 138, 141, 142, 176, 177, 916  
See application file for complete search history.

(56) **References Cited**

U.S. PATENT DOCUMENTS

1,671,083	A *	5/1928	Nagler	60/696
1,846,086	A *	2/1932	Christensen	415/60
2,342,223	A *	2/1944	Robertson	415/66
4,110,631	A *	8/1978	Salter	290/55
4,159,427	A *	6/1979	Wiedemann	290/55
D374,656	S *	10/1996	Richardson	D13/115
7,462,949	B2 *	12/2008	Coman	290/54
7,471,009	B2 *	12/2008	Davis et al.	290/54
2008/0284176	A1 *	11/2008	Fraenkel	290/54
2009/0224552	A1 *	9/2009	Sulentic	290/55
2010/0270802	A1 *	10/2010	Presz et al.	290/52
2011/0058929	A1 *	3/2011	Smith et al.	415/3.1

\* cited by examiner

*Primary Examiner* — Derrick Holland

*Assistant Examiner* — Lauren Calve

(74) *Attorney, Agent, or Firm* — Stephen J. Weyer; Stites & Harbison PLLC

(57) **CLAIM**

The ornamental design for a turbine device for generating electricity from ocean currents, as shown and described.

**DESCRIPTION**

FIG. 1 is a rear view of a turbine device for generating electricity from ocean currents showing the new design.

FIG. 2 is a front view thereof.

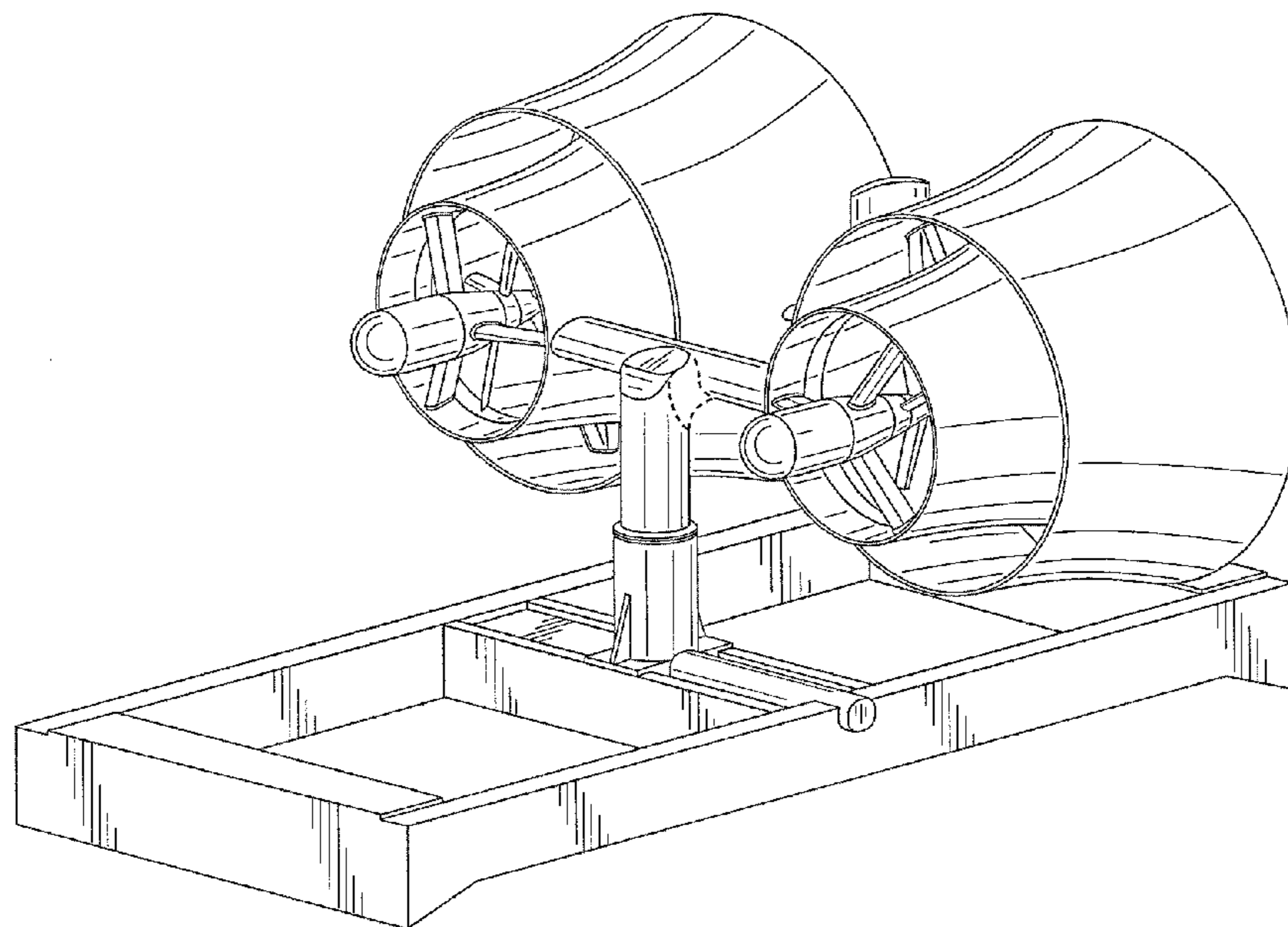
FIG. 3 is a right side view thereof.

FIG. 4 is a left side view thereof; and,

FIG. 5 is a front, right side and top perspective view thereof.

The broken lines shown represent unclaimed subject matter and form no part of the claimed design.

**1 Claim, 5 Drawing Sheets**



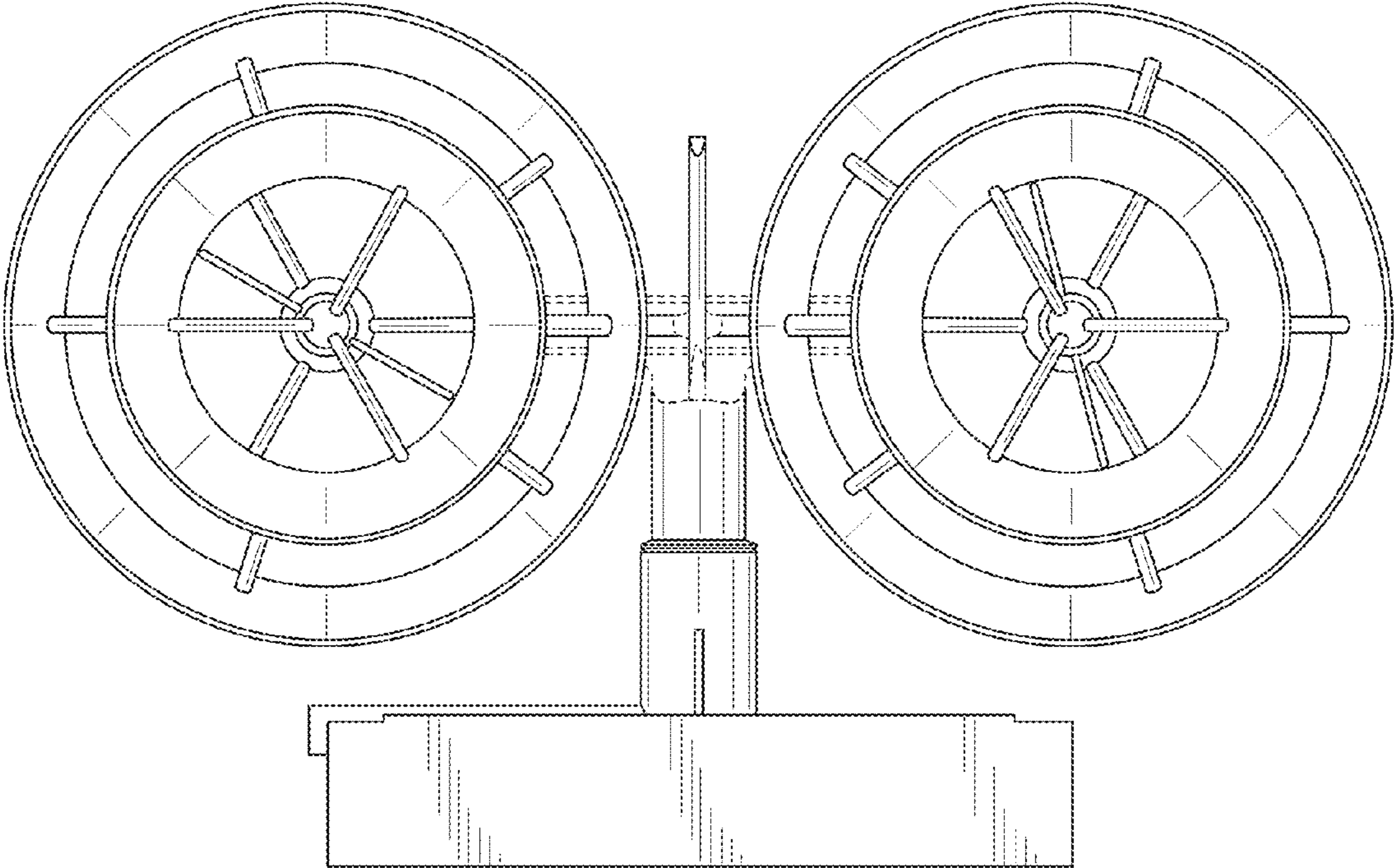


FIG. 1

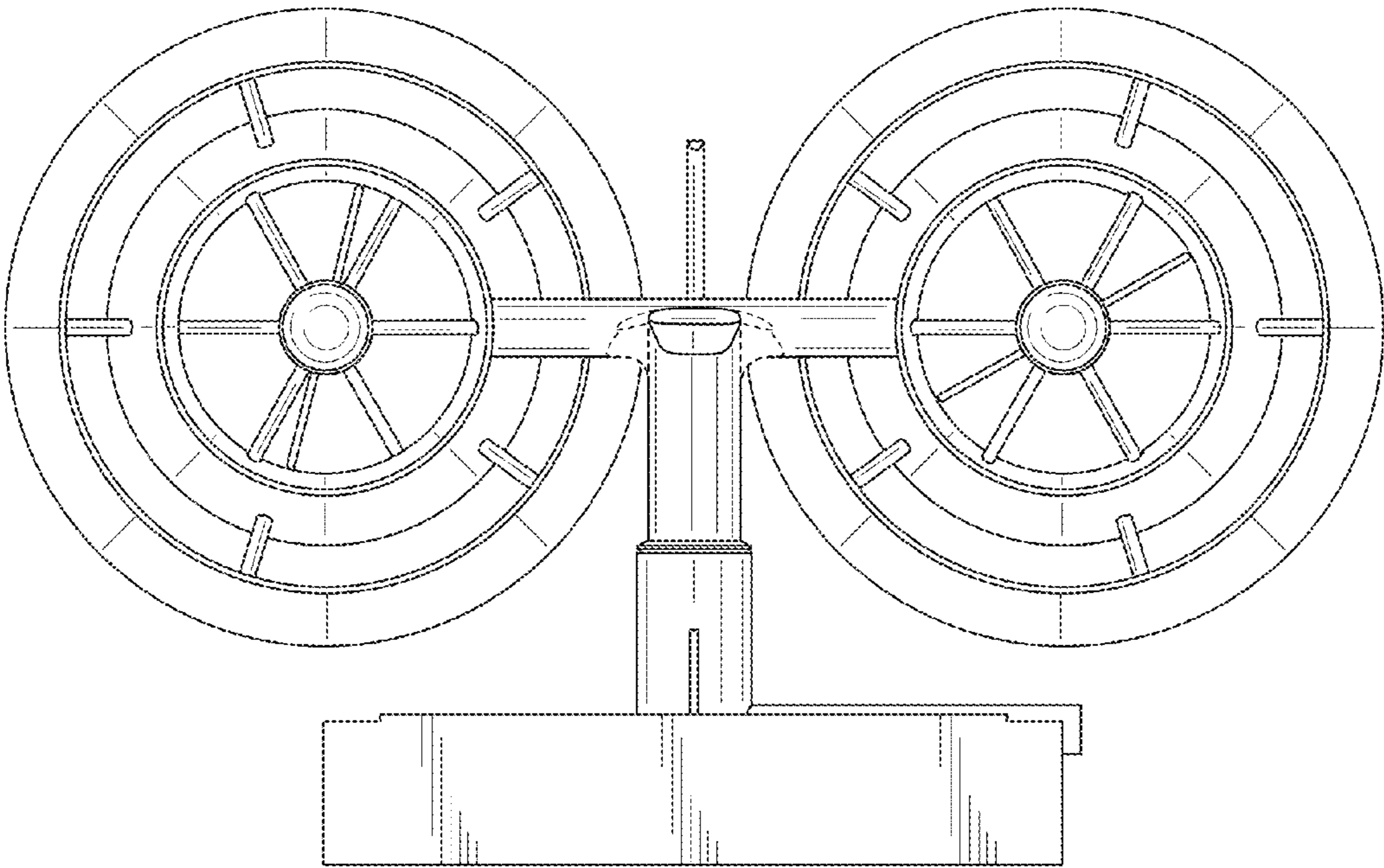


FIG. 2

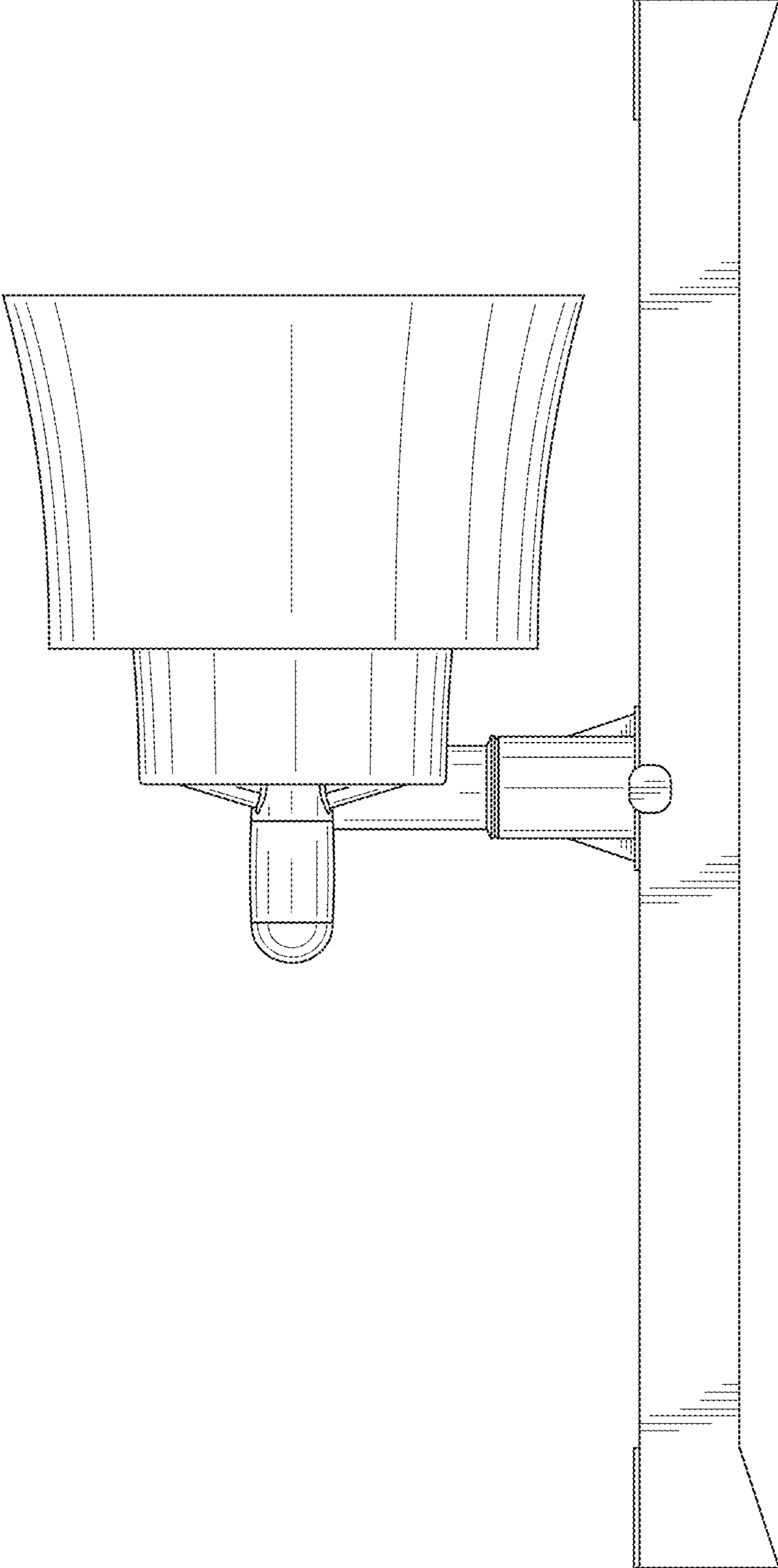


FIG. 3

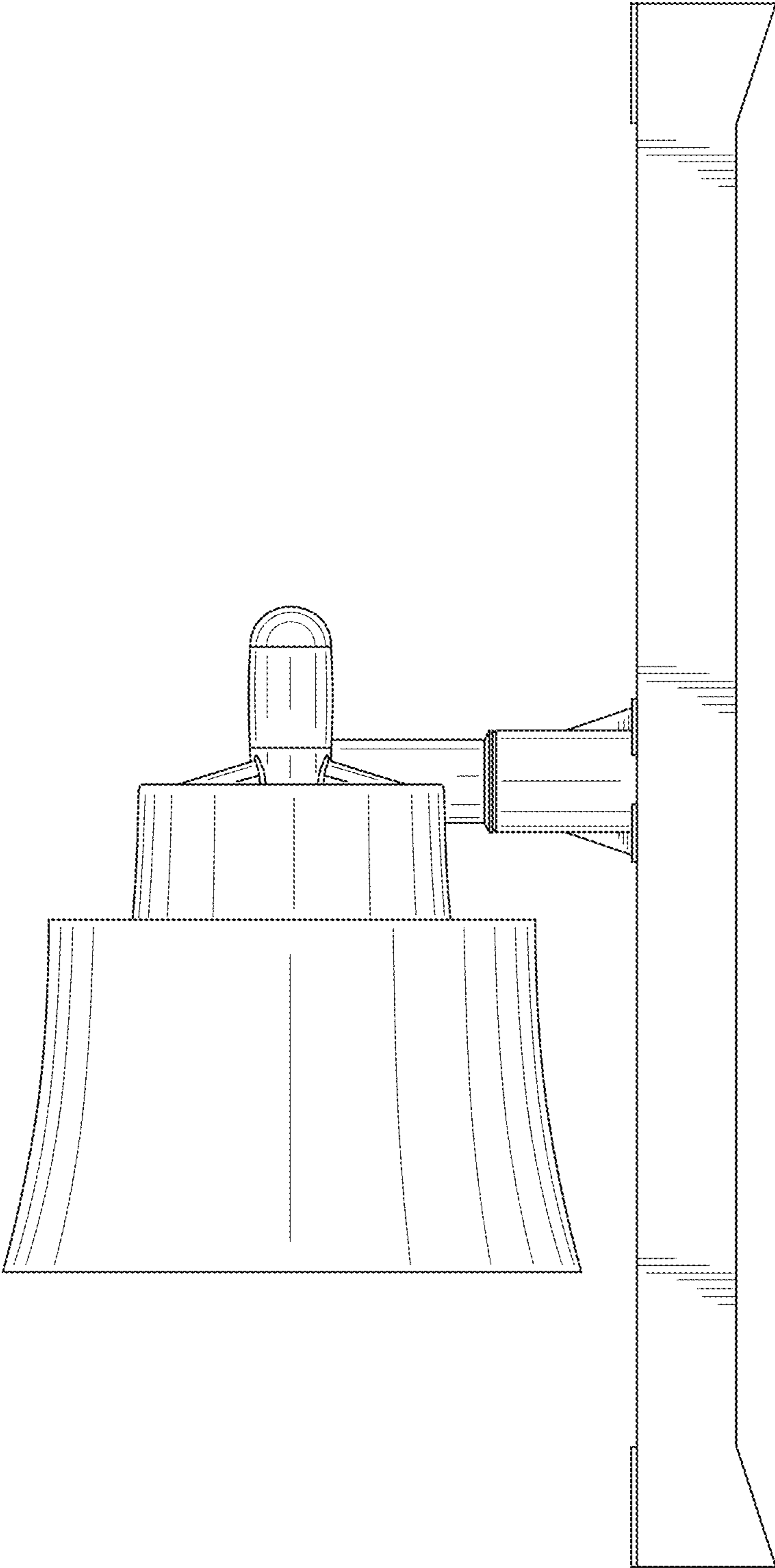


FIG. 4

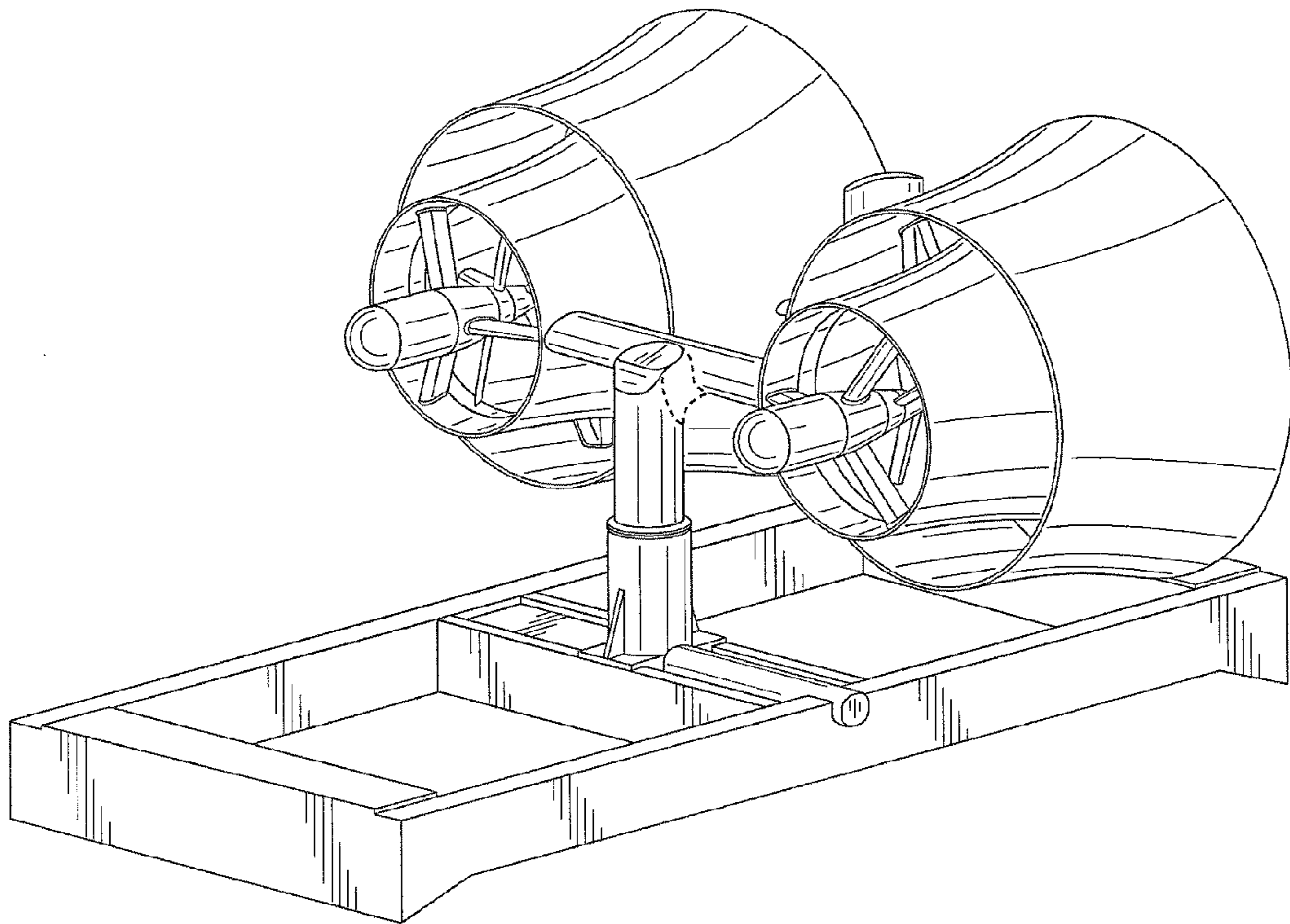


FIG. 5