



US00D748575S

(12) **United States Design Patent**  
**Bulgarov et al.**

(10) **Patent No.:** **US D748,575 S**

(45) **Date of Patent:** **\*\* Feb. 2, 2016**

(54) **WIRELESS CHARGING DEVICE**

(71) Applicant: **Intel Corporation**, Santa Clara, CA (US)

(72) Inventors: **Vitaly Bulgarov**, Irvine, CA (US); **Patrick K. Moritz**, San Rafael, CA (US); **Kevin R. McKinney**, Los Gatos, CA (US); **John Groff**, San Francisco, CA (US); **Hans Moritz**, Novato, CA (US)

(73) Assignee: **Intel Corporation**, Santa Clara, CA (US)

(\*\*) Term: **14 Years**

(21) Appl. No.: **29/513,088**

(22) Filed: **Dec. 26, 2014**

(51) **LOC (10) Cl.** ..... **13-02**

(52) **U.S. Cl.**  
USPC ..... **D13/108**

(58) **Field of Classification Search**  
USPC ..... D13/107–110, 118–119, 182, 199;  
D14/251, 253, 432, 434; 320/107–115  
CPC ..... Y02E 60/12; Y02T 90/14; Y02T 90/122;  
Y02T 90/128; Y02T 90/163; H02J 7/025;  
H02J 7/0042; H02J 7/0044; H02J 7/0045;  
H02J 7/0003; H01F 38/14; H01R 13/6675;  
H01M 2/1022; H01M 2/1055; H01M 10/44;  
H01M 10/46; H01M 10/425; B60L 11/182  
See application file for complete search history.

(56) **References Cited**

U.S. PATENT DOCUMENTS

D475,417 S *	6/2003	Wintersteiger	.....	D21/329
D476,376 S *	6/2003	Wintersteiger	.....	D21/329
D508,458 S *	8/2005	Solland et al.	.....	D13/108
D521,927 S *	5/2006	Franck et al.	.....	D13/108
D527,704 S *	9/2006	Rodarte	.....	D13/108
D530,717 S *	10/2006	Mori et al.	.....	D14/434

D537,409 S *	2/2007	Suzuki	.....	D13/108
D574,769 S *	8/2008	Fisher et al.	.....	D13/108
D578,960 S *	10/2008	Fisher et al.	.....	D13/108
D578,961 S *	10/2008	Fisher et al.	.....	D13/108
7,622,892 B2 *	11/2009	Kim et al.	.....	320/108
D609,636 S *	2/2010	Jensen	.....	D13/108
7,710,071 B2 *	5/2010	Elizalde Rodarte	.....	320/115
D627,718 S *	11/2010	Houghton	.....	D13/108
D640,248 S *	6/2011	Baumann et al.	.....	D14/253
D669,432 S *	10/2012	Park	.....	D13/108
D693,814 S *	11/2013	Park	.....	D14/434

(Continued)

*Primary Examiner* — Rosemary K Tarcza

(74) *Attorney, Agent, or Firm* — Jordan IP Law, LLC

(57) **CLAIM**

The ornamental design for a wireless charging device, as shown and described in FIGS. 1 through 8.

**DESCRIPTION**

FIG. 1 is a front view of an example of a wireless charging device, in accordance with embodiments;

FIG. 2 is a rear view of the wireless charging device of FIG. 1;

FIG. 3 is a side view of the wireless charging device of FIG. 1;

FIG. 4 is a side view of the wireless charging device of FIG. 1;

FIG. 5 is a top view of the wireless charging device of FIG. 1;

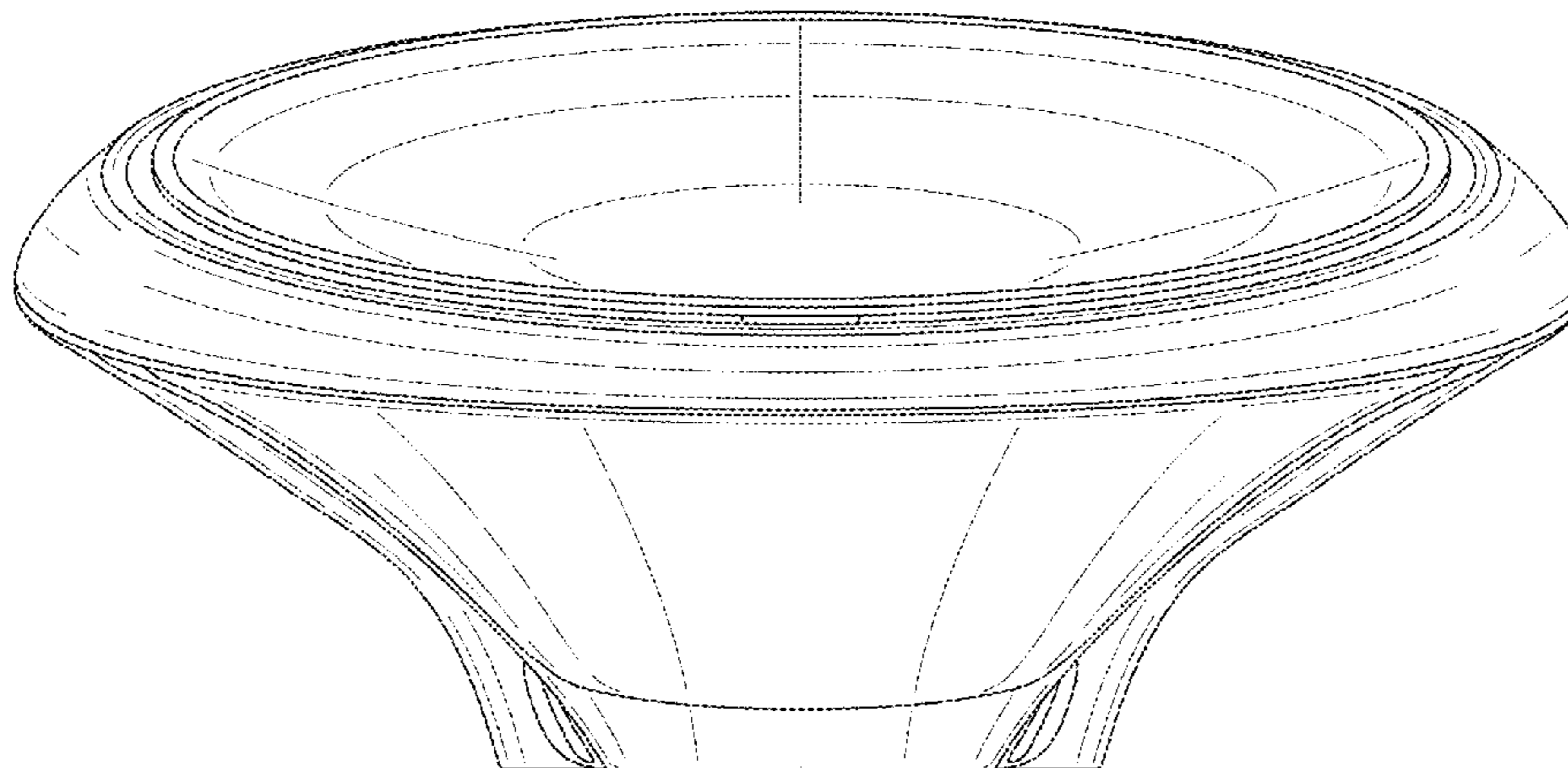
FIG. 6 is a bottom view of the wireless charging device of FIG. 1;

FIG. 7 is a front, perspective view of the wireless charging device of FIGS. 1; and,

FIG. 8 is a rear, perspective view of the wireless charging device of FIG. 1.

Broken lines of the FIGURES are illustrative and depict environment; therefore, they form no part of the claimed design. Additionally, in some embodiments, non-oblique line shading is meant to show contour of represented surfaces, not surface ornamentation.

**1 Claim, 8 Drawing Sheets**



(56)

**References Cited**

U.S. PATENT DOCUMENTS

D694,182 S \* 11/2013 Lee et al. .... D13/108  
D696,190 S \* 12/2013 Brandtman et al. .... D13/108  
D701,831 S \* 4/2014 Park et al. .... D13/108  
D706,212 S \* 6/2014 Zwierstra et al. .... D13/107  
D717,244 S \* 11/2014 Reishus et al. .... D13/108

D718,234 S \* 11/2014 Rautiainen ..... D13/108  
D718,236 S \* 11/2014 Murray ..... D13/108  
D720,288 S \* 12/2014 Ko ..... D13/108  
D722,959 S \* 2/2015 Bulgarov et al. .... D13/108  
D722,962 S \* 2/2015 Kim et al. .... D13/108  
D724,025 S \* 3/2015 Peek et al. .... D13/108  
2009/0102419 A1 \* 4/2009 Gwon et al. .... 320/108

\* cited by examiner

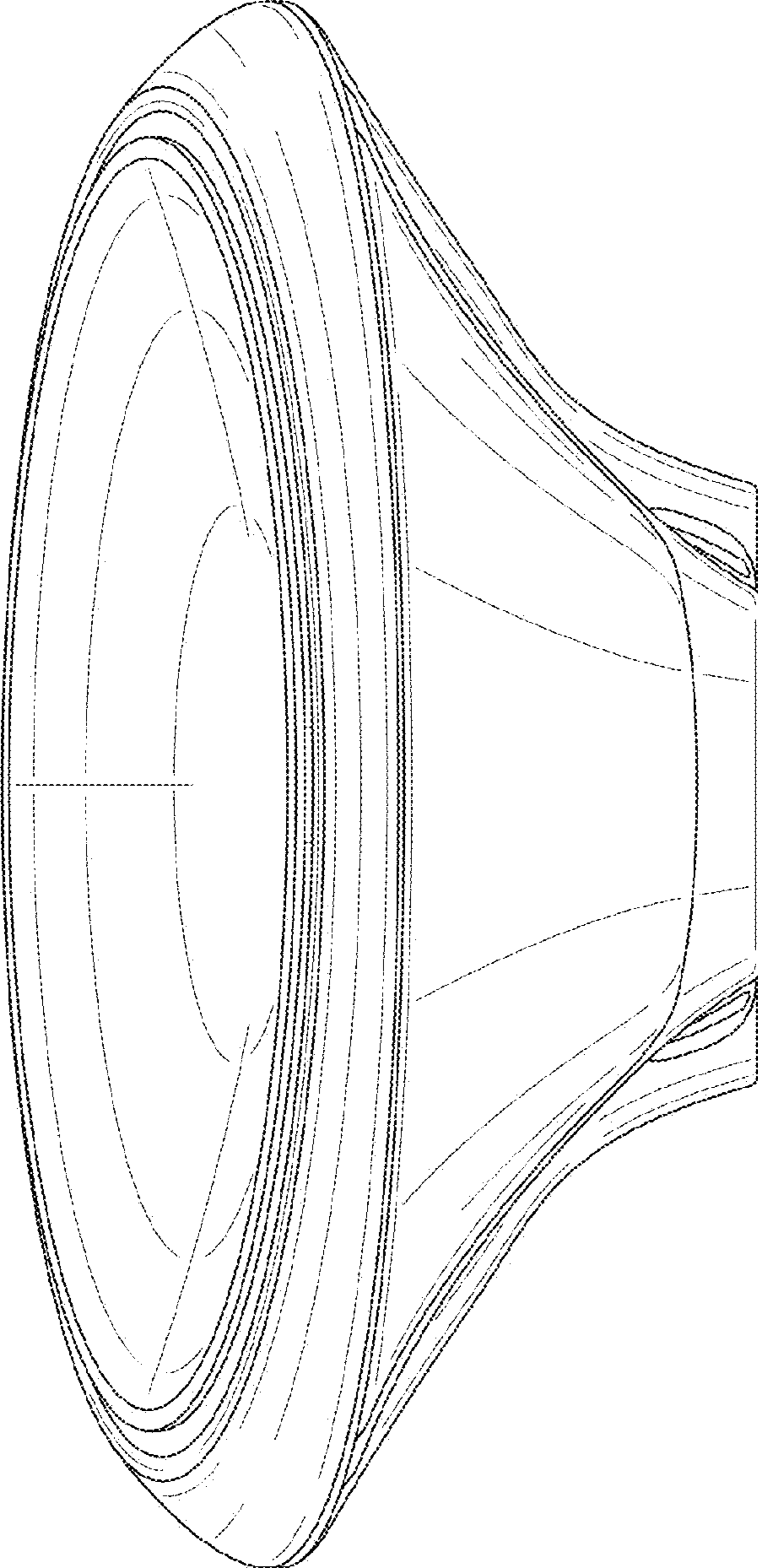


FIG.1

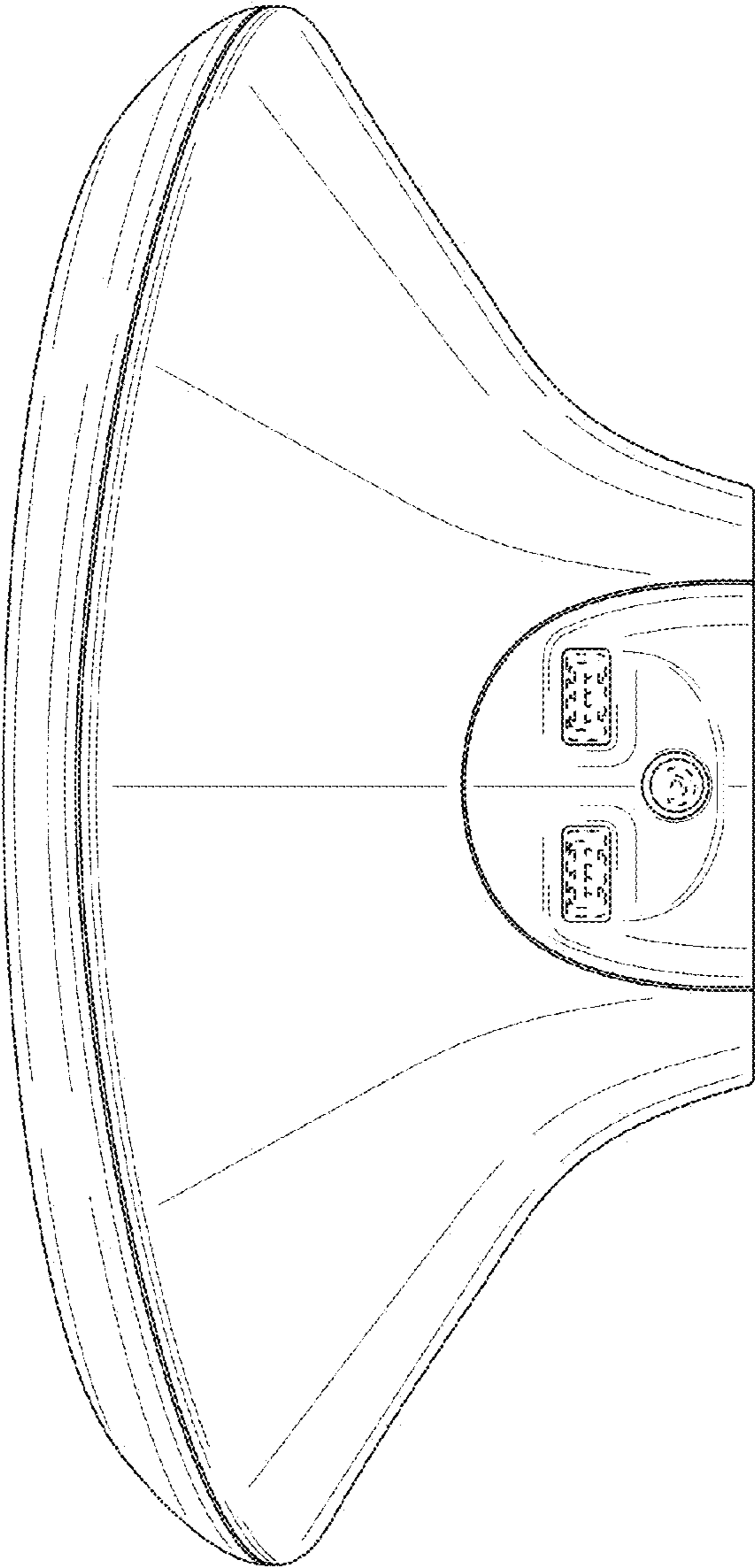


FIG.2

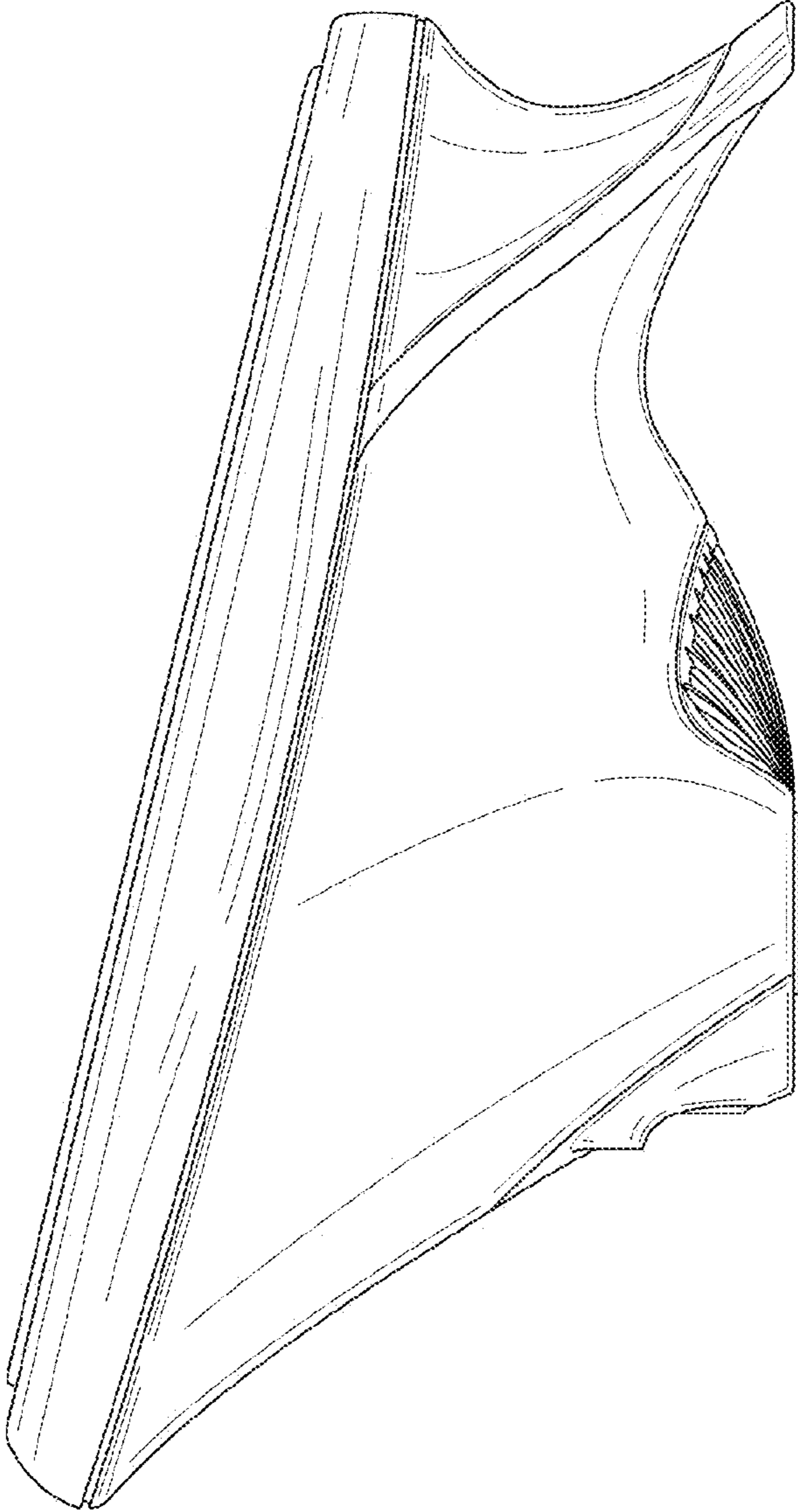


FIG.3

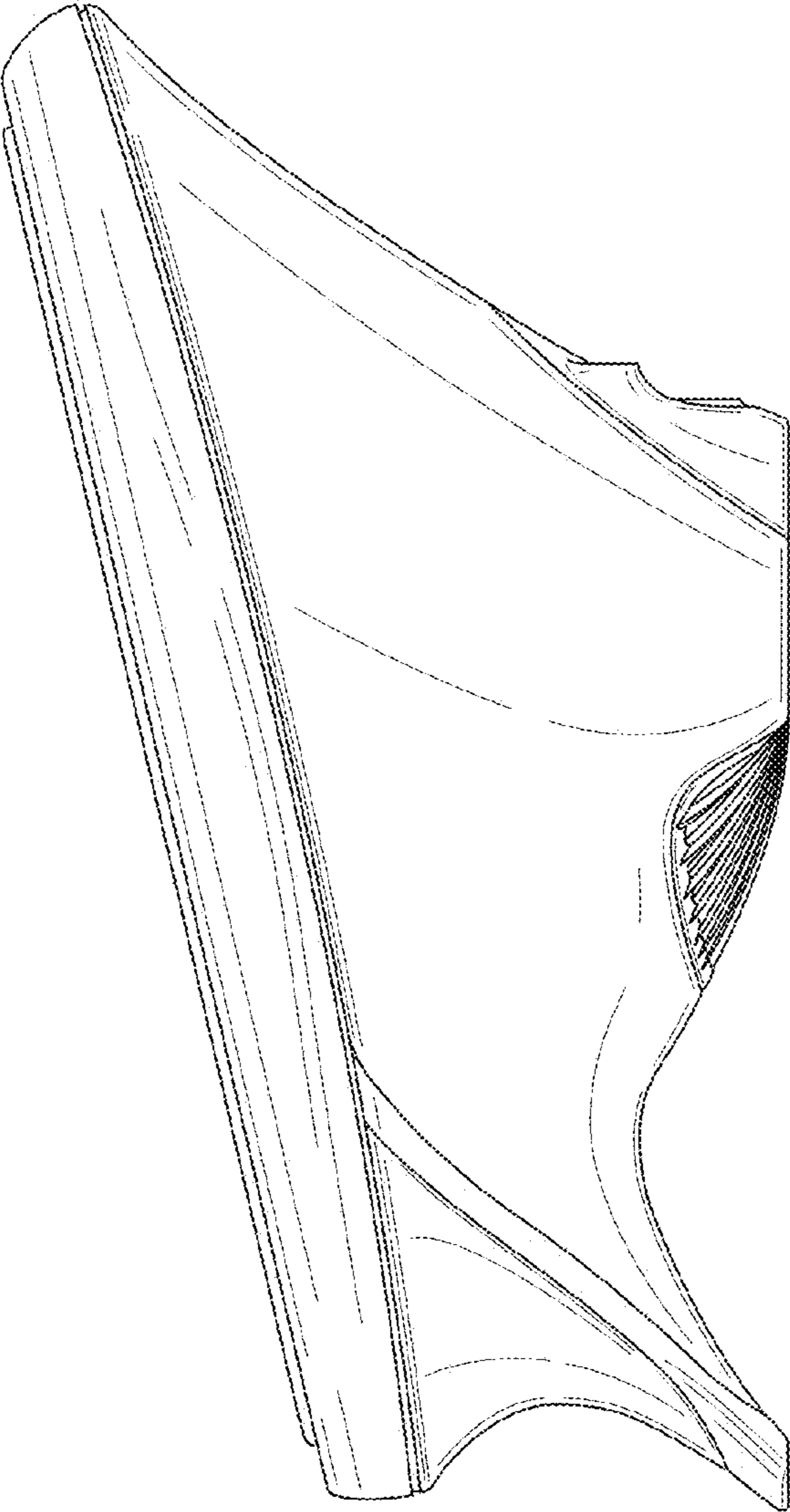


FIG.4

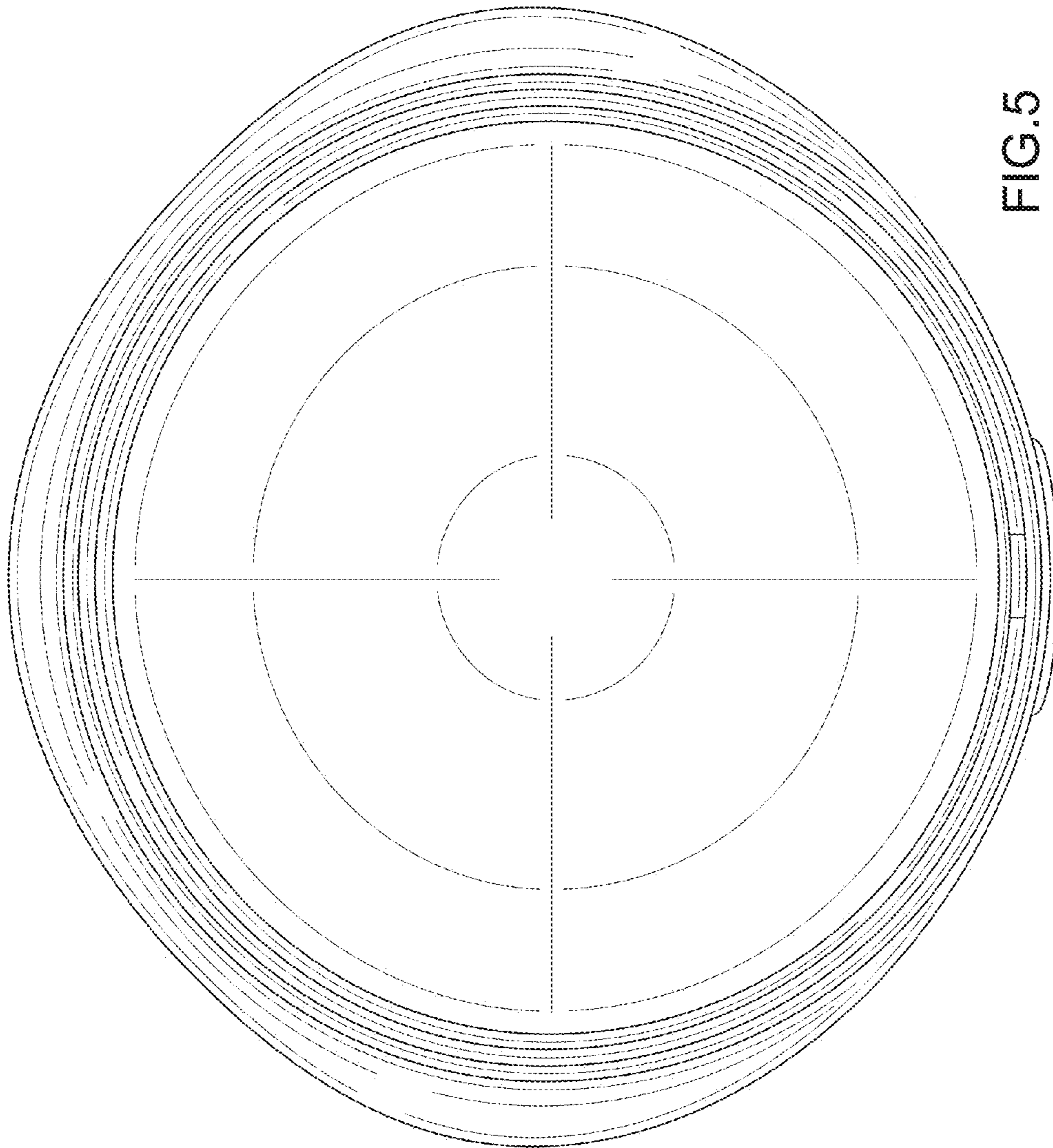


FIG. 5

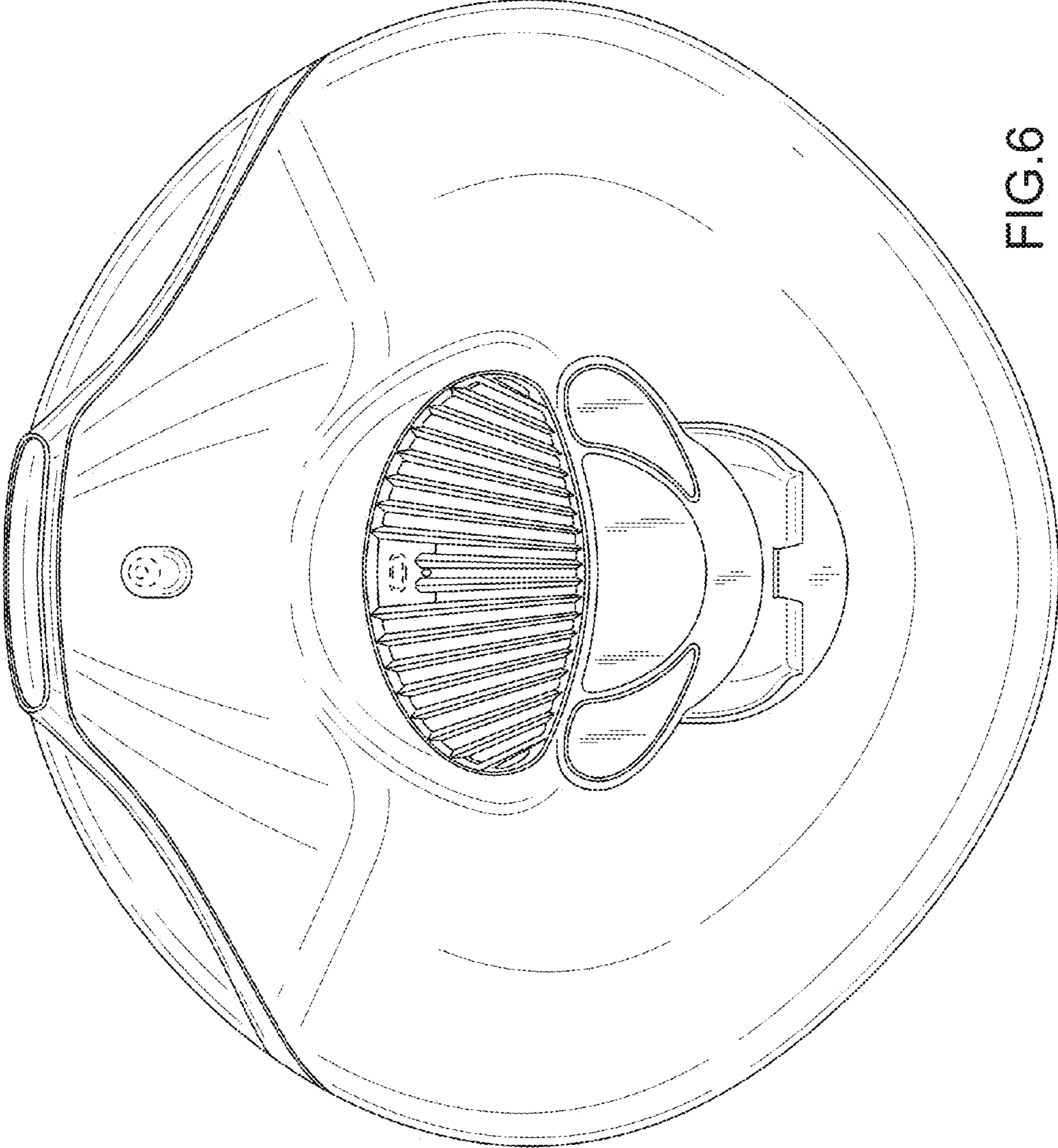


FIG.6



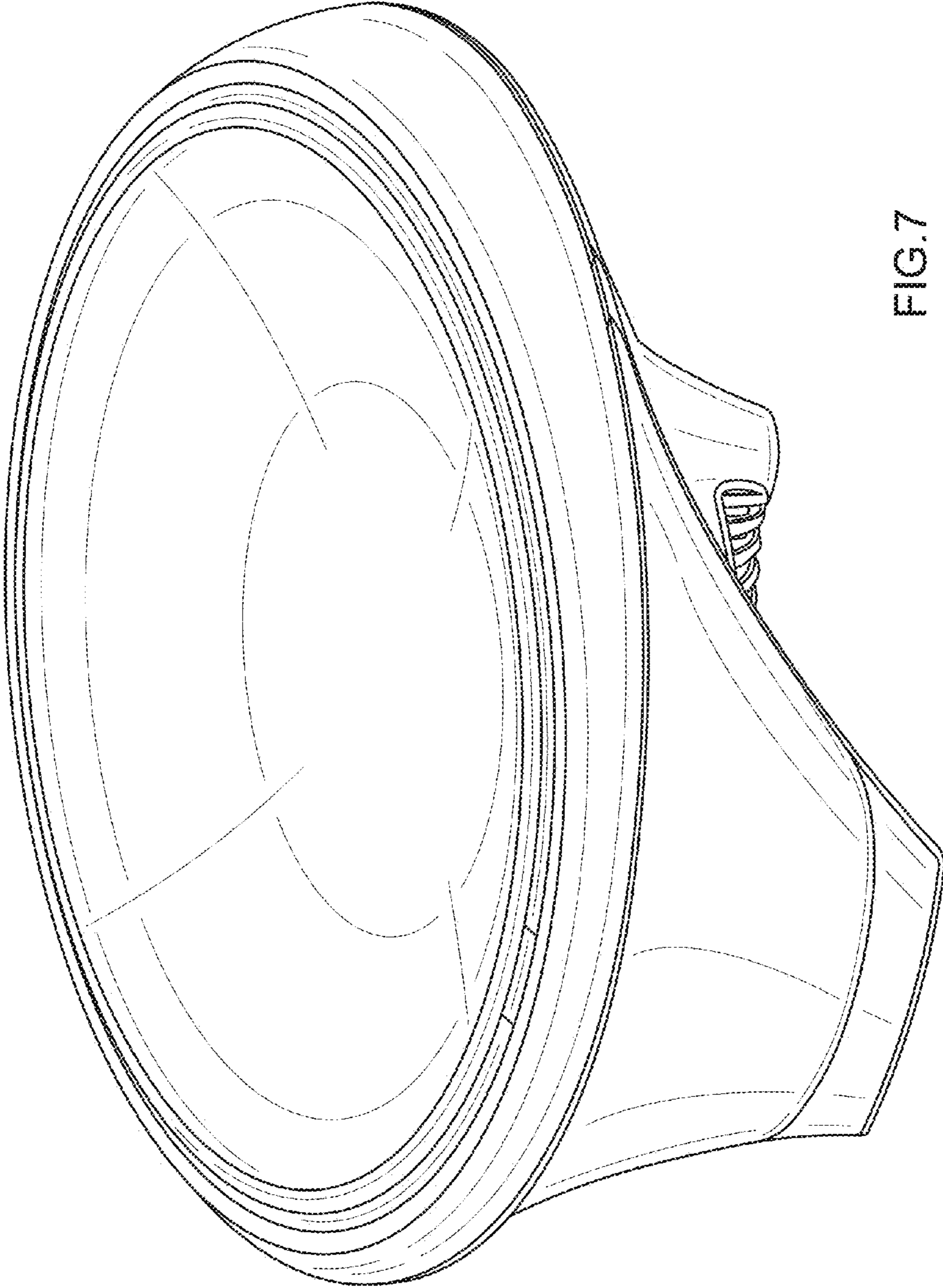


FIG. 7

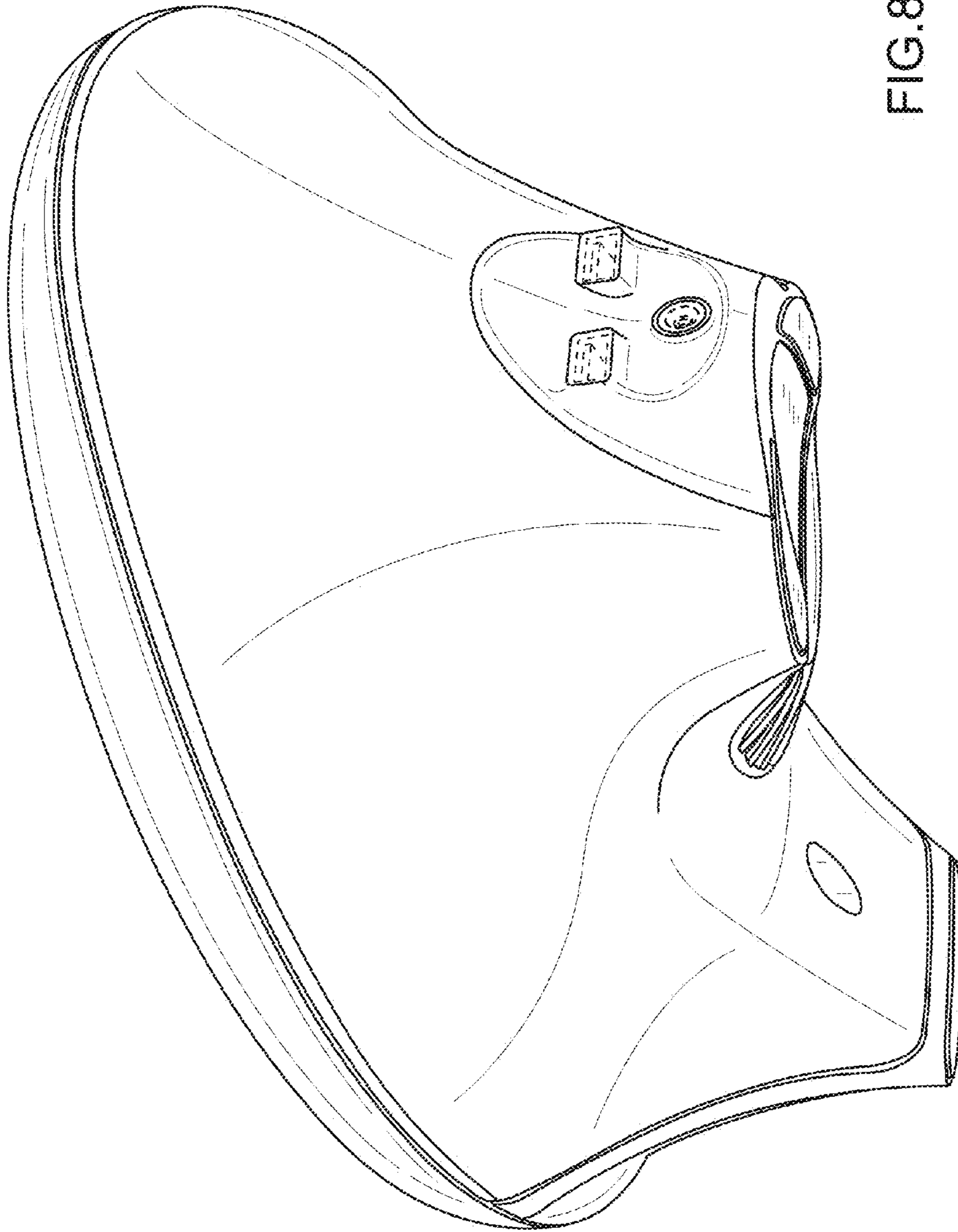


FIG. 8