



US00D748573S

(12) **United States Design Patent**
Becker et al.

(10) **Patent No.:** **US D748,573 S**

(45) **Date of Patent:** **** Feb. 2, 2016**

(54) **SOLAR DEVICE CHARGING UNIT**

(71) Applicants: **Scott T. Becker**, Scotts Valley, CA (US);
David Matusich, Saratoga, CA (US);
Michael Becker, Naperville, IL (US)

(72) Inventors: **Scott T. Becker**, Scotts Valley, CA (US);
David Matusich, Saratoga, CA (US);
Michael Becker, Naperville, IL (US)

(**) Term: **14 Years**

(21) Appl. No.: **29/456,101**

(22) Filed: **May 28, 2013**

(51) **LOC (10) Cl.** **13-02**

(52) **U.S. Cl.**
USPC **D13/102**

(58) **Field of Classification Search**
USPC D13/102, 101, 103, 107, 108, 110, 199;
D14/140, 203.4, 483; D26/37, 38, 39,
D26/41-44, 48, 49, 51; 136/206, 243, 244,
136/245, 252; 320/101, 102, 114, 115, 120;
362/157, 158, 159, 171, 183, 191, 208,
362/257
CPC H01L 31/00; H01L 31/042; H01L 31/045;
H01L 31/048; H01L 31/052; H01L 31/0232;
H01L 25/00; Y02E 10/50; Y02E 10/52;
H01M 10/465; H01M 10/482
See application file for complete search history.

(56) **References Cited**

U.S. PATENT DOCUMENTS

4,786,851	A	*	11/1988	Fuji et al.	320/101
D391,921	S	*	3/1998	Zimmer et al.	D13/102
D559,174	S	*	1/2008	Sharma et al.	D13/102
D606,489	S	*	12/2009	Sasada et al.	D13/102
D628,534	S	*	12/2010	Daniel	D13/102
D630,162	S	*	1/2011	Bullen	D13/102
D633,437	S	*	3/2011	Chilton et al.	D13/108
D634,704	S	*	3/2011	Tieleman et al.	D13/102
D647,048	S	*	10/2011	Sasada et al.	D13/102

D652,375	S	*	1/2012	Kannou et al.	D13/102
2009/0007958	A1	*	1/2009	Ho et al.	136/245
2009/0021209	A1	*	1/2009	Lin	320/101
2009/0184679	A1	*	7/2009	Yeh	320/108

* cited by examiner

Primary Examiner — Derrick Holland

(74) *Attorney, Agent, or Firm* — Martine Penilla Group, LLP

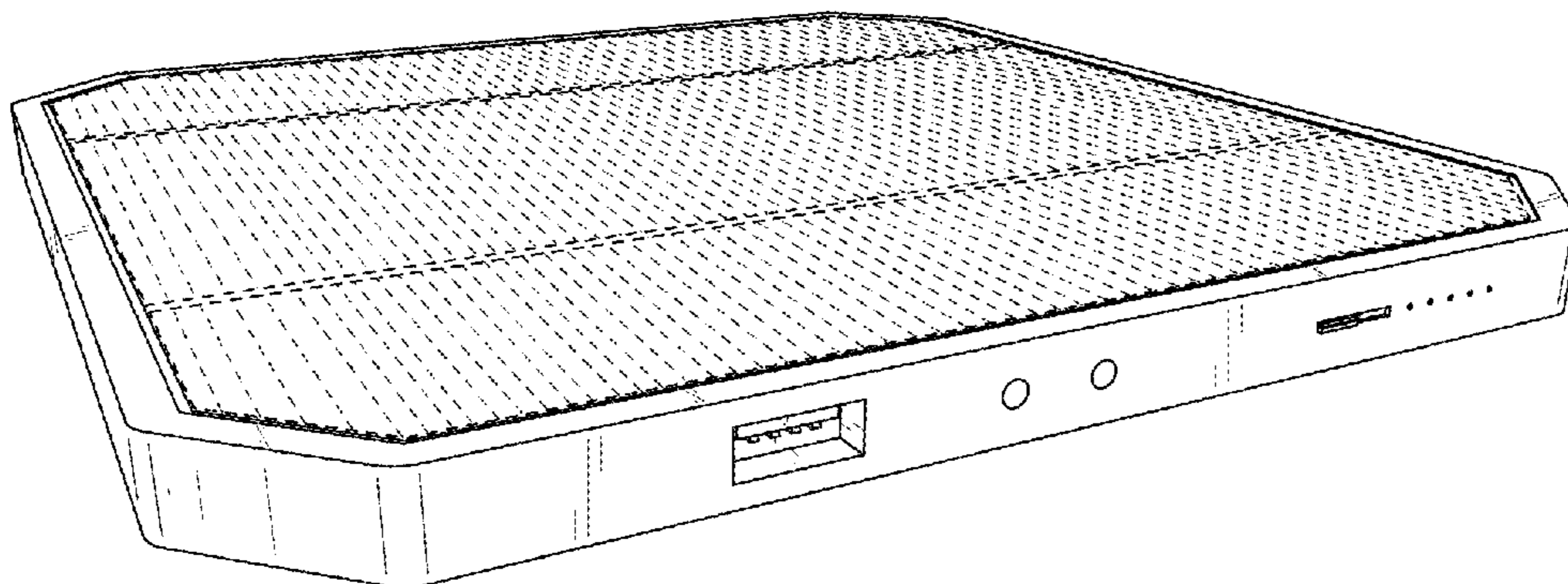
(57) **CLAIM**

The ornamental design for a solar device charging unit, as shown and described.

DESCRIPTION

FIG. 1 is a perspective view of an embodiment of a solar device charging unit showing our new design;
 FIG. 2 is a top plan view thereof;
 FIG. 3 is a bottom plan view thereof;
 FIG. 4 is a right side elevation view thereof;
 FIG. 5 is a left side elevation view thereof;
 FIG. 6 is a front elevation view thereof;
 FIG. 7 is a rear elevation view thereof;
 FIG. 8 is a perspective view of a second embodiment of a solar device charging unit showing our new design;
 FIG. 9 is a top plan view thereof;
 FIG. 10 is a bottom plan view thereof;
 FIG. 11 is a right side elevation view thereof;
 FIG. 12 is a left side elevation view thereof;
 FIG. 13 is a front elevation view thereof;
 FIG. 14 is a rear elevation view thereof;
 FIG. 15 is a front elevation view thereof shown in an environmental use;
 FIG. 16 is a front elevation view thereof shown in a second environmental use;
 FIG. 17 is a front elevation view thereof shown in a third environmental use; and,
 FIG. 18 is a perspective view thereof shown in environmental use.
 The broken lines shown represent unclaimed subject matter and form no part of the claimed design.

1 Claim, 14 Drawing Sheets



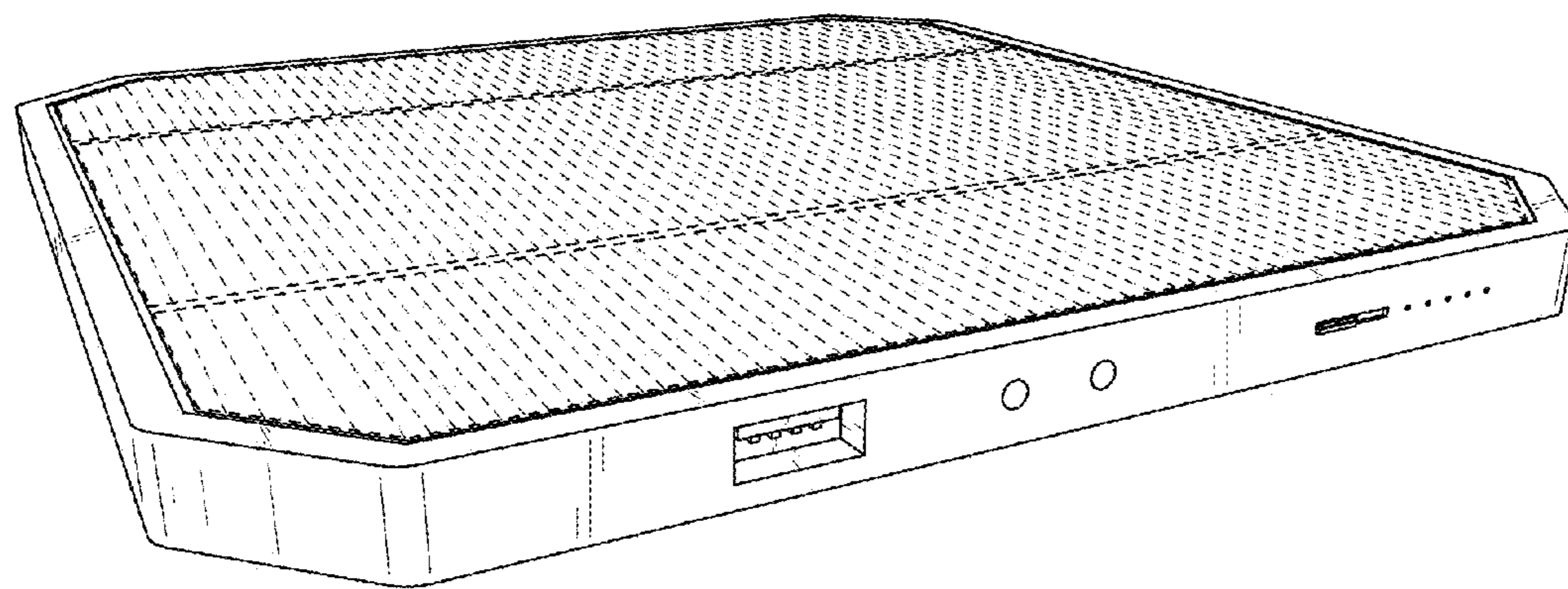


FIG. 1



FIG. 2



FIG. 3

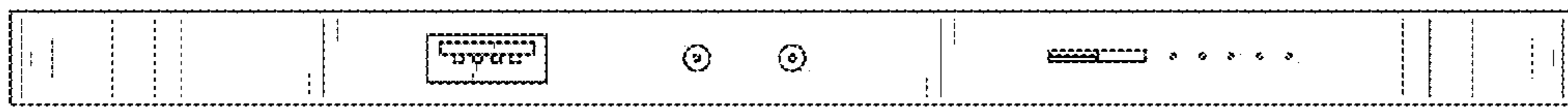


FIG. 4



FIG. 5

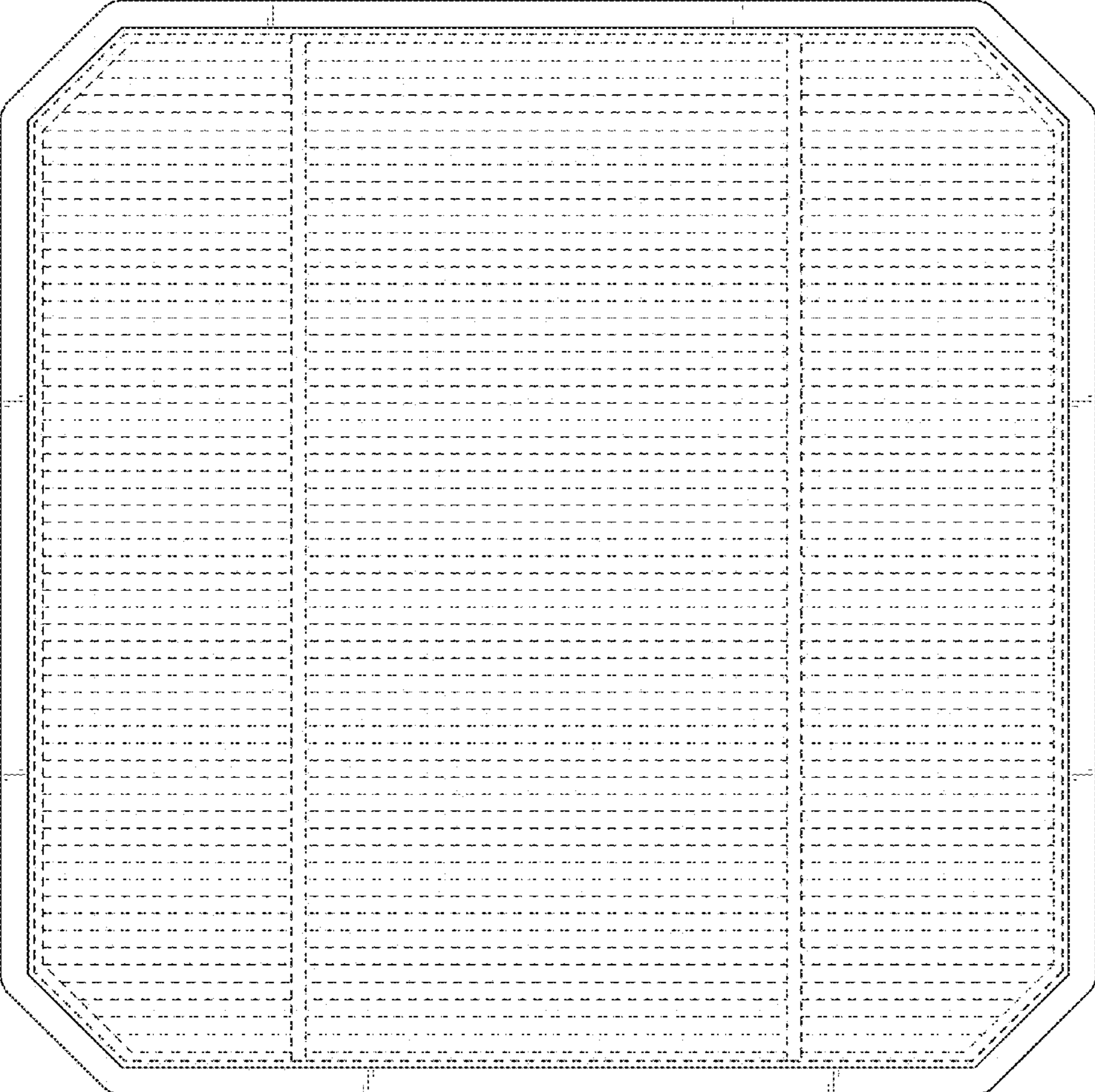


FIG. 6

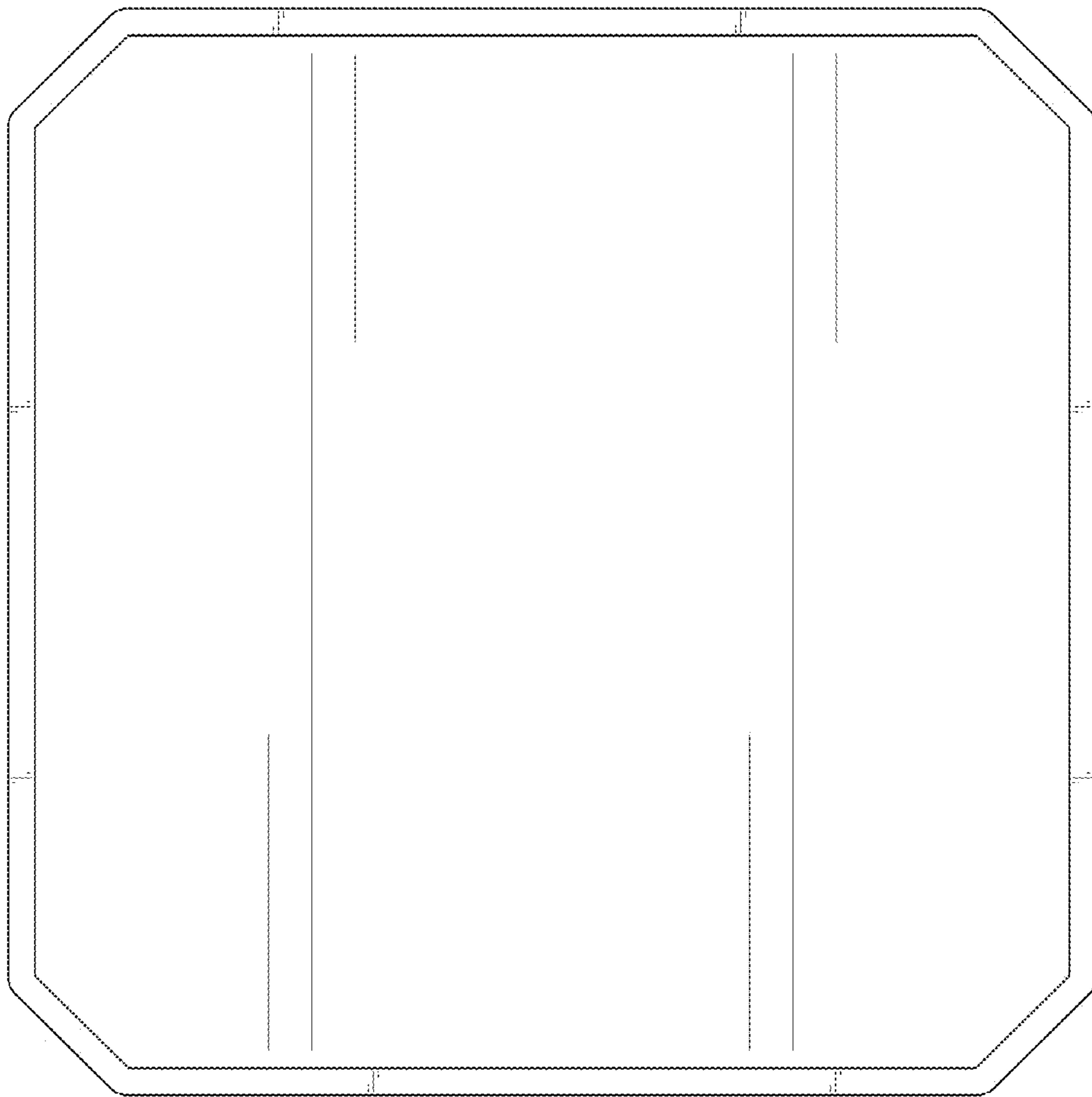


FIG. 7

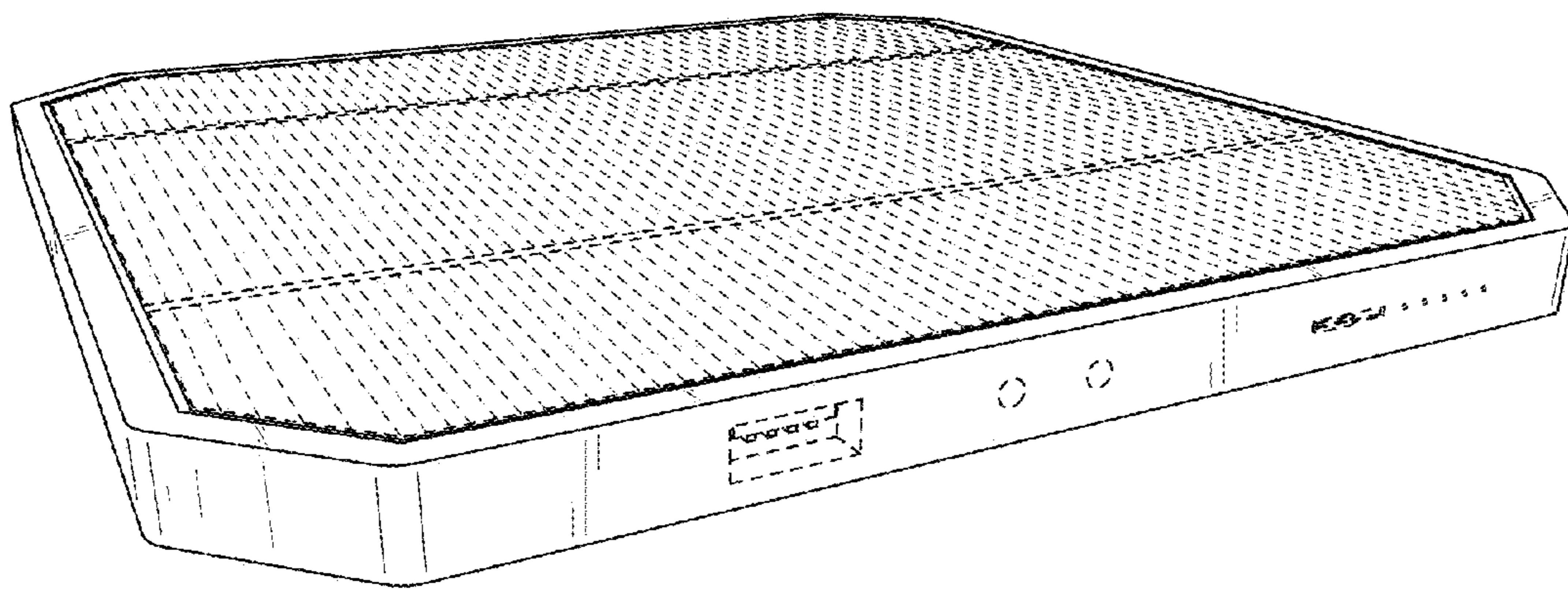


FIG. 8



FIG. 9

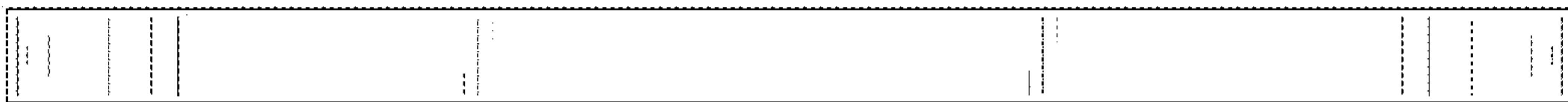


FIG. 10



FIG. 11



FIG. 12

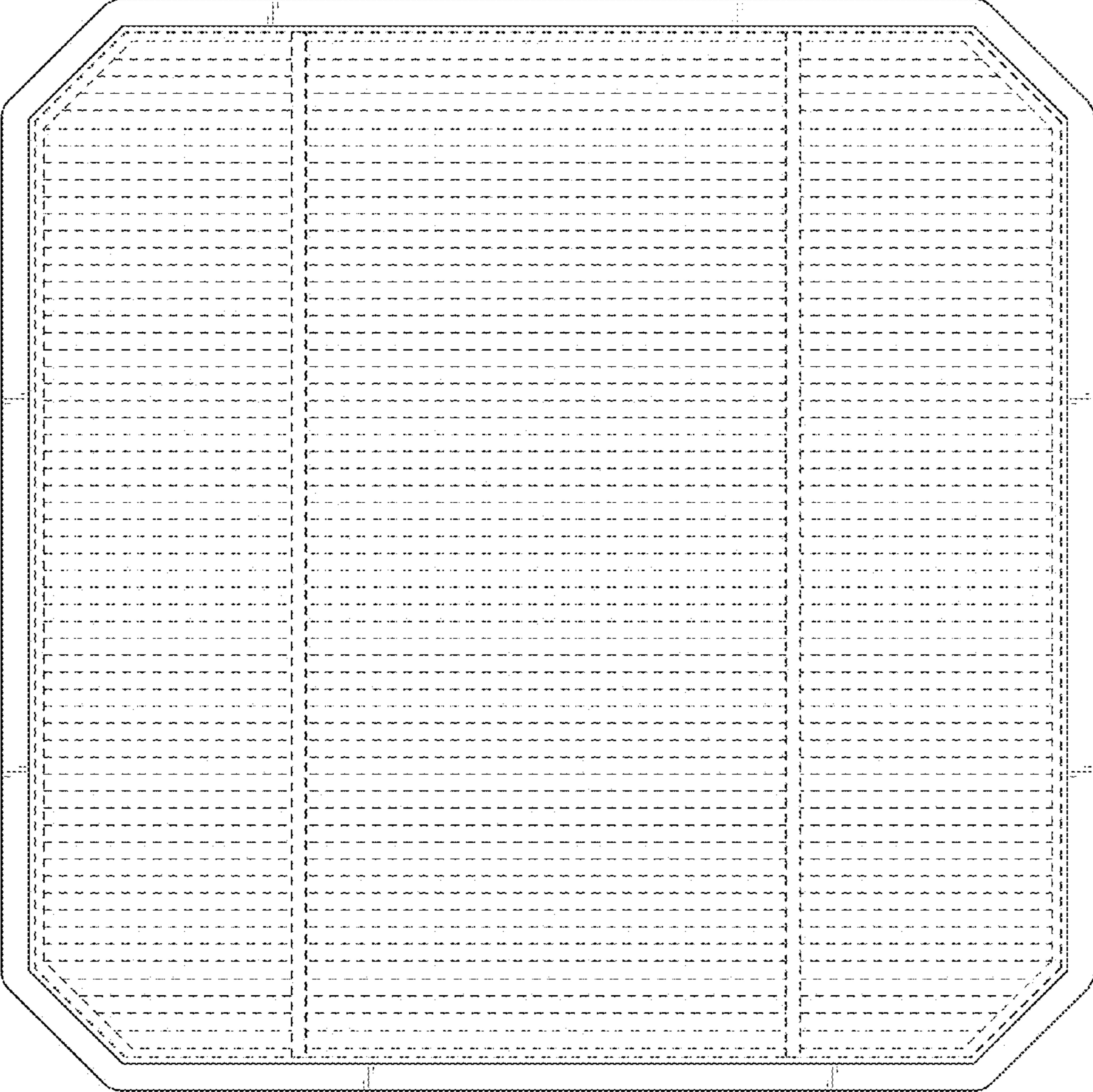


FIG. 13

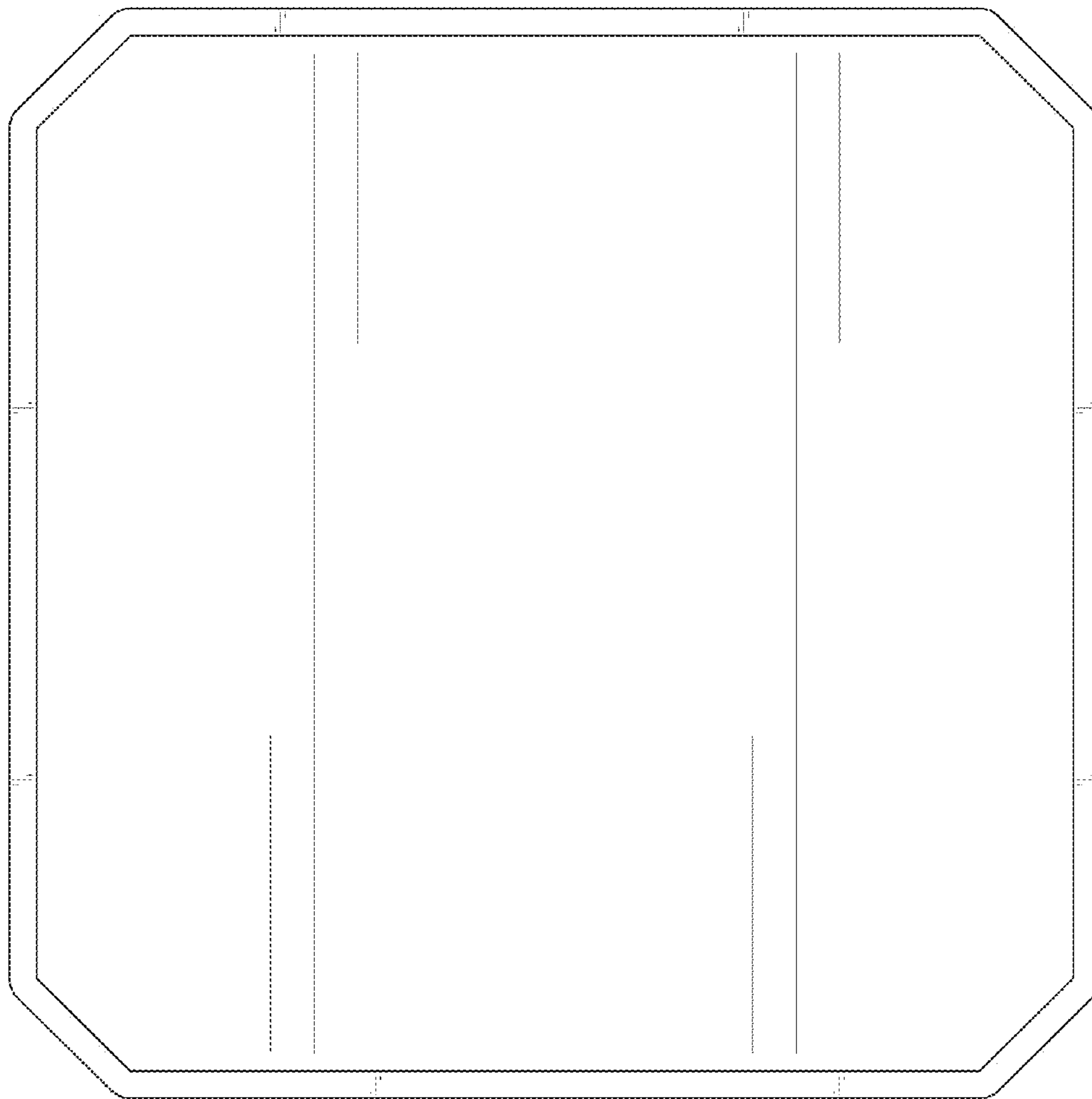


FIG. 14

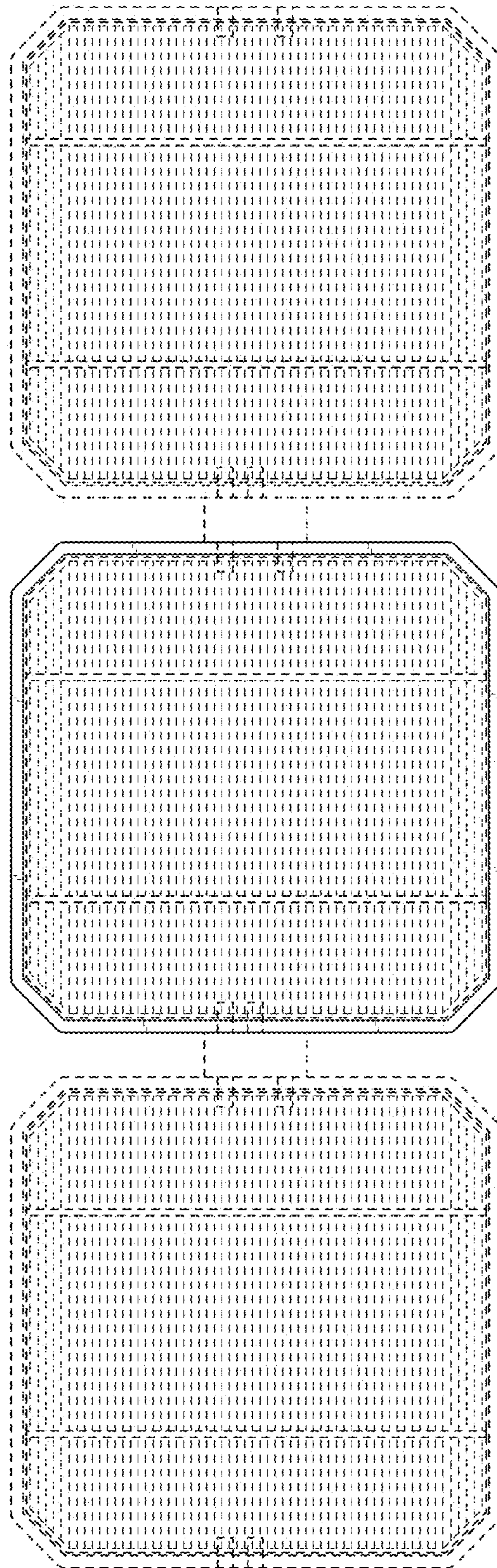


FIG. 15

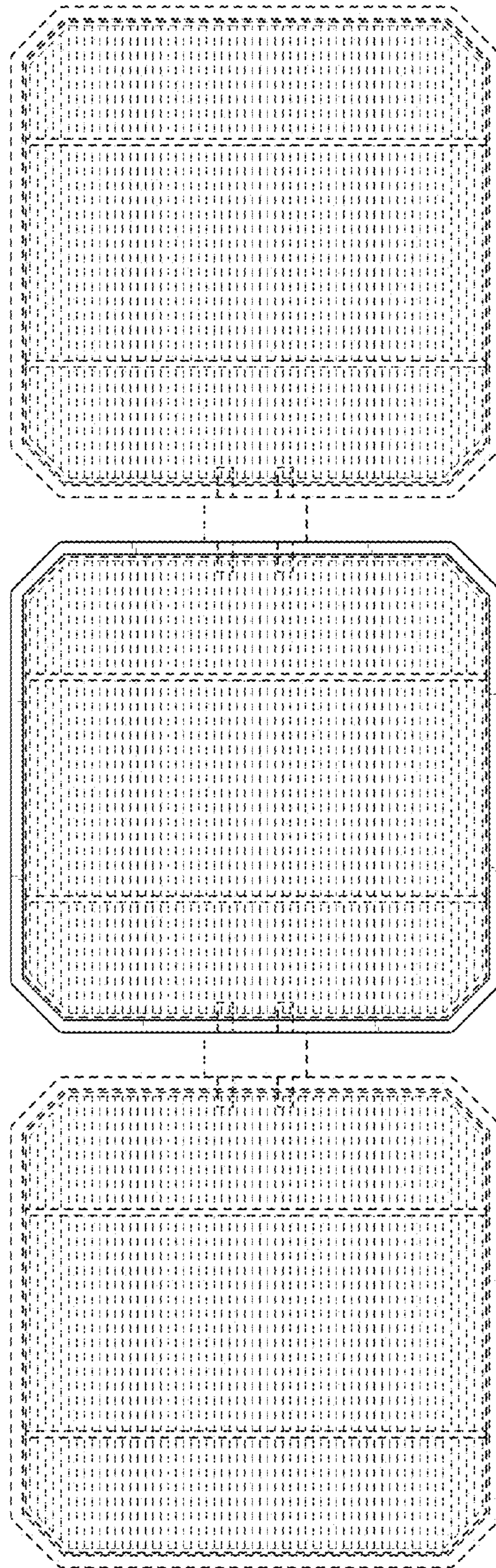


FIG. 16

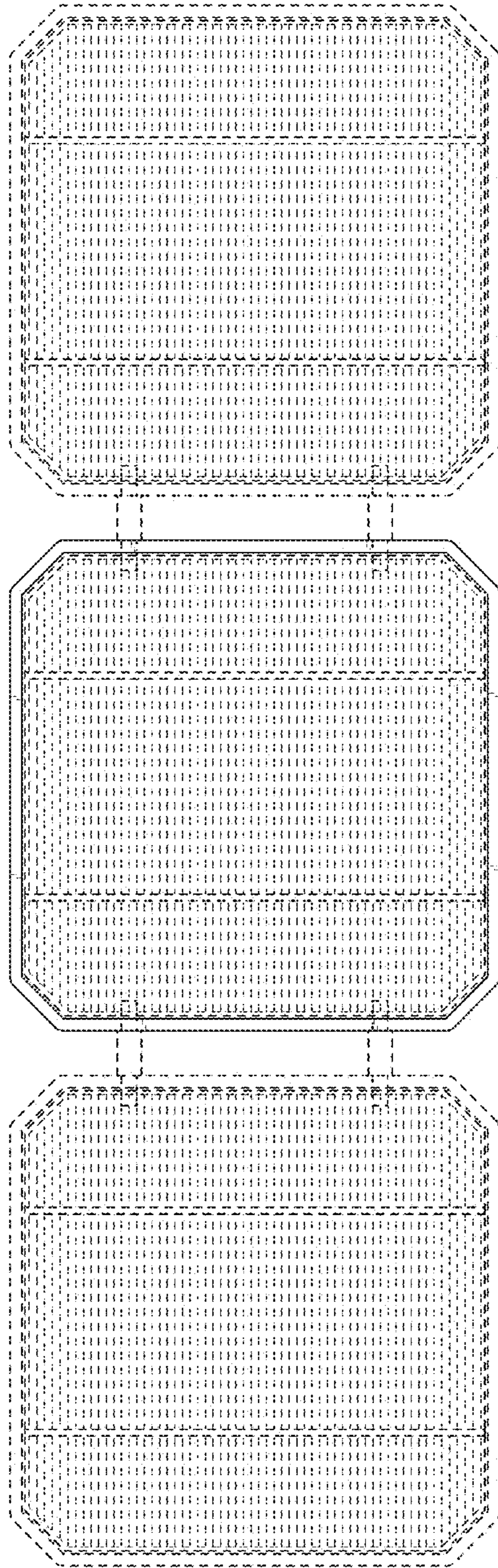


FIG. 17

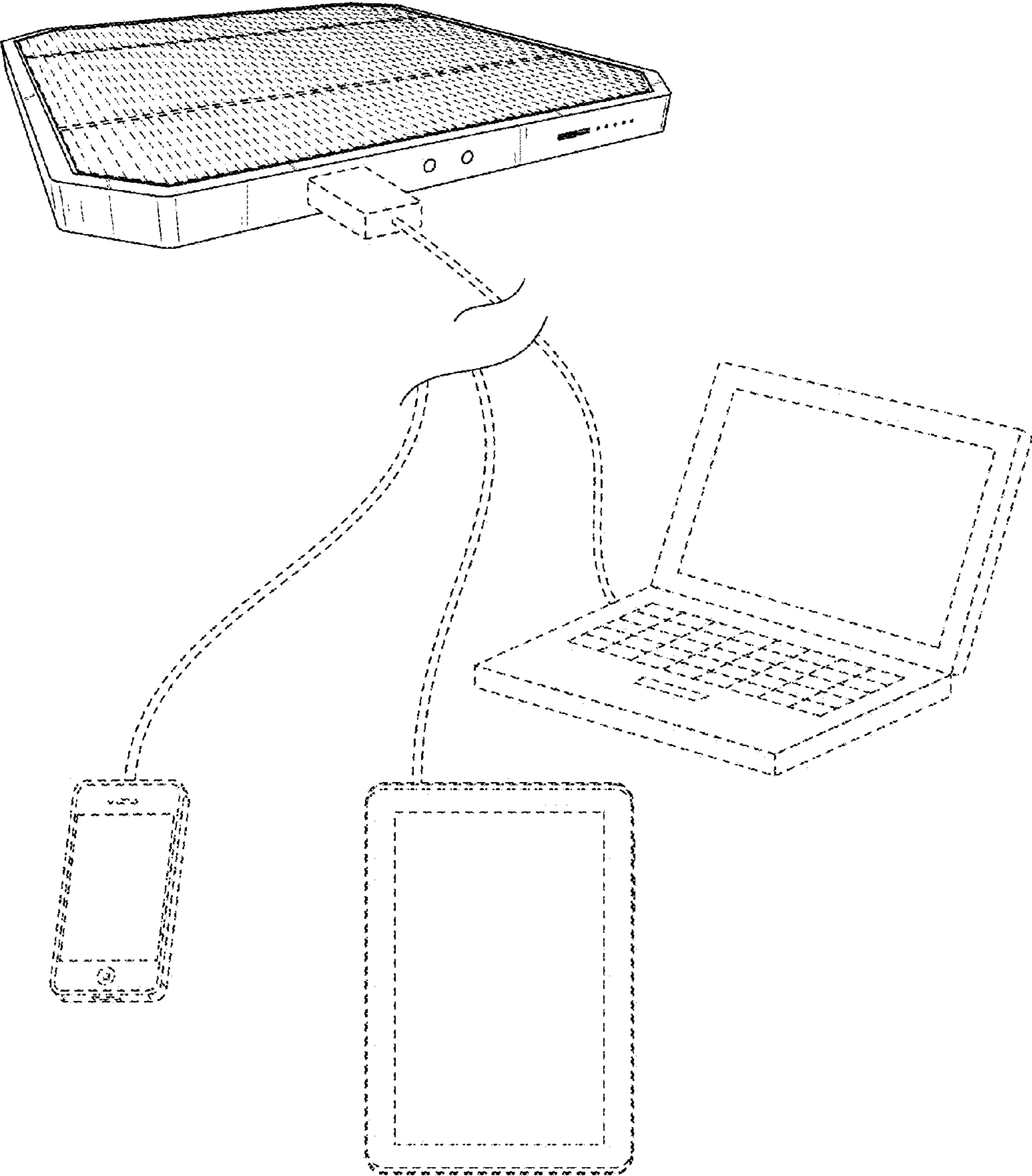


FIG. 18