



US00D748565S

(12) **United States Design Patent**
Brown

(10) **Patent No.:** **US D748,565 S**

(45) **Date of Patent:** **** Feb. 2, 2016**

- (54) **LIFT FOR UTILITY VEHICLE**
- (71) Applicant: **Stacy Lee Brown**, Stephens, AR (US)
- (72) Inventor: **Stacy Lee Brown**, Stephens, AR (US)
- (**) Term: **14 Years**
- (21) Appl. No.: **29/478,792**
- (22) Filed: **Jan. 8, 2014**
- (51) **LOC (10) Cl.** **12-16**
- (52) **U.S. Cl.**
USPC **D12/414**
- (58) **Field of Classification Search**
USPC D12/414, 406; D32/35, 58;
D6/317-319, 513-514
CPC B60P 9/00; B60P 3/40
See application file for complete search history.

5,743,702 A	4/1998	Gunderson	
5,862,926 A	1/1999	Johnson	
6,126,379 A	10/2000	Feldman et al.	
6,520,723 B2	2/2003	Christensen	
7,011,486 B2	3/2006	Dyer	
7,413,394 B2	8/2008	Risser	
D578,467 S *	10/2008	Ohanyan	D12/414
8,322,964 B2	12/2012	O'Brien	
8,322,967 B2	12/2012	Owens et al.	
8,534,980 B2	9/2013	Kuramoto	
D695,675 S *	12/2013	Voglmayr	D12/414
D713,322 S *	9/2014	Moore et al.	D12/414
D717,230 S *	11/2014	Fichter	D12/414
D722,007 S *	2/2015	Ting	D12/414

* cited by examiner

Primary Examiner — Katrina A Betton

(74) *Attorney, Agent, or Firm* — Polsinelli PC

(57) **CLAIM**

The ornamental design for a lift for utility vehicle, as shown and described.

(56) **References Cited**

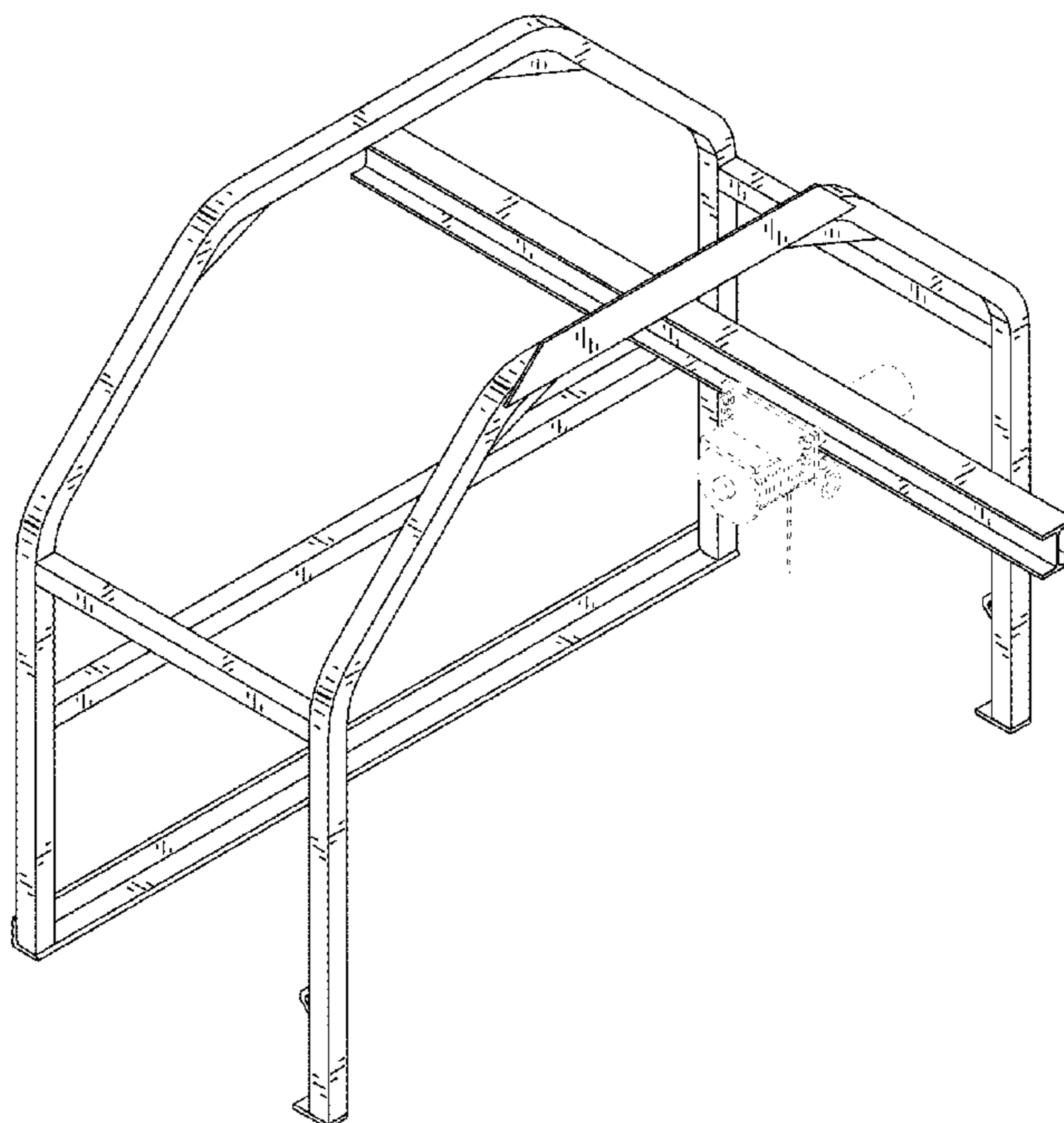
U.S. PATENT DOCUMENTS

2,289,366 A	7/1942	Johnson
2,778,512 A	1/1957	Strona
2,927,704 A	3/1960	Condon
3,899,089 A	8/1975	Wardlaw
4,187,048 A	2/1980	Bohlmann
4,872,581 A	10/1989	Wedhorn
4,930,970 A	6/1990	Sunderland
5,028,198 A	7/1991	Buhr
5,062,760 A	11/1991	Samaniego
5,391,042 A	2/1995	Song
5,486,082 A	1/1996	Feldman et al.
5,511,929 A	4/1996	Loftus
5,718,555 A	2/1998	Swalheim

DESCRIPTION

FIG. 1 is a perspective view of the lift for utility vehicle; FIG. 2 is a front view of the lift for utility vehicle; FIG. 3 is a first side view of the lift for utility vehicle; FIG. 4 is a top view of the lift for utility vehicle; FIG. 5 is a rear view of the lift for utility vehicle; FIG. 6 is a second side view of the lift for utility vehicle; and, FIG. 7 is a bottom view of the lift for utility vehicle. The broken lines showing in FIGS. 1-7 are included for the purpose of illustrating portions of the lift for utility vehicle that form no part of the claimed design.

1 Claim, 7 Drawing Sheets



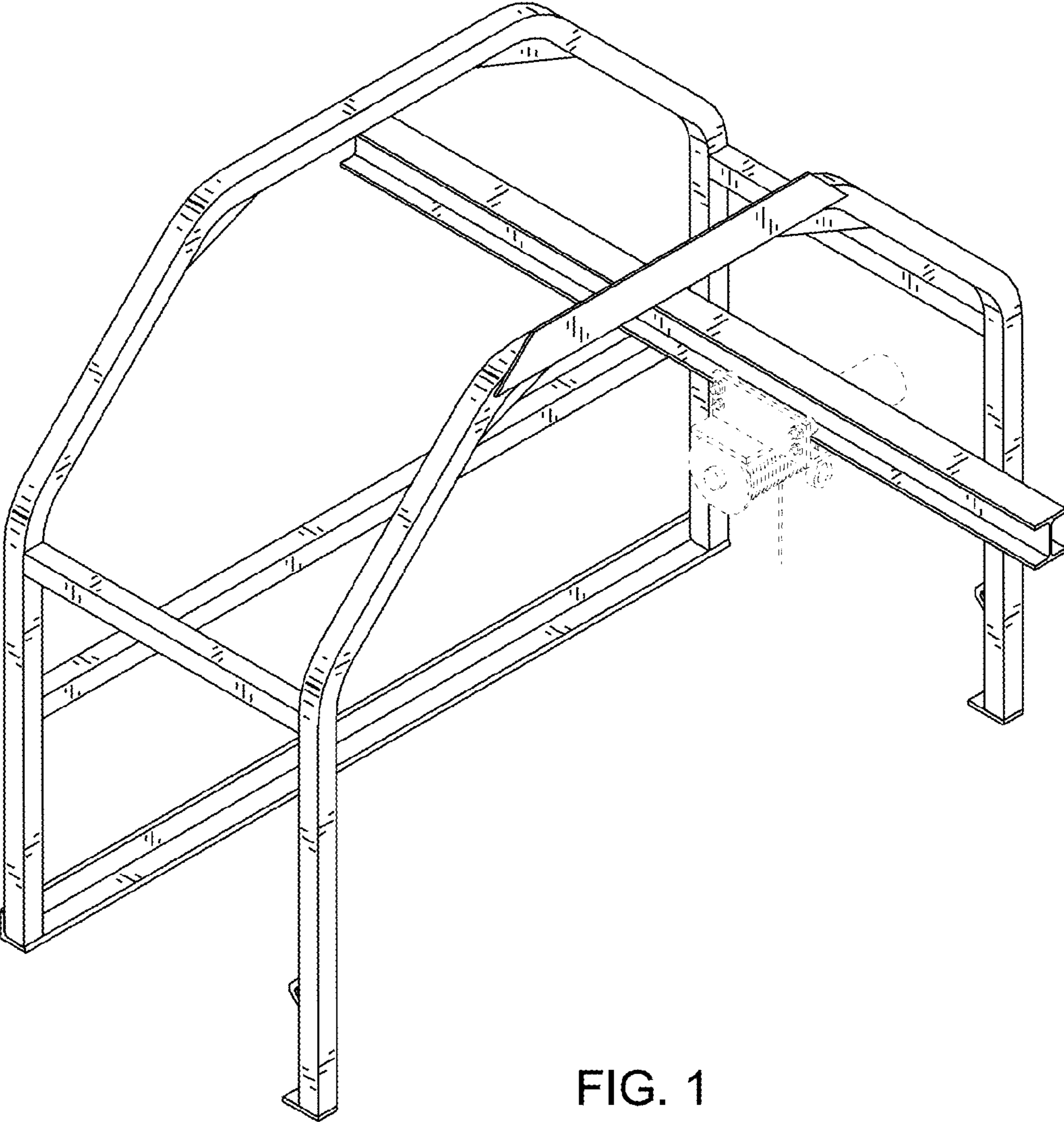


FIG. 1

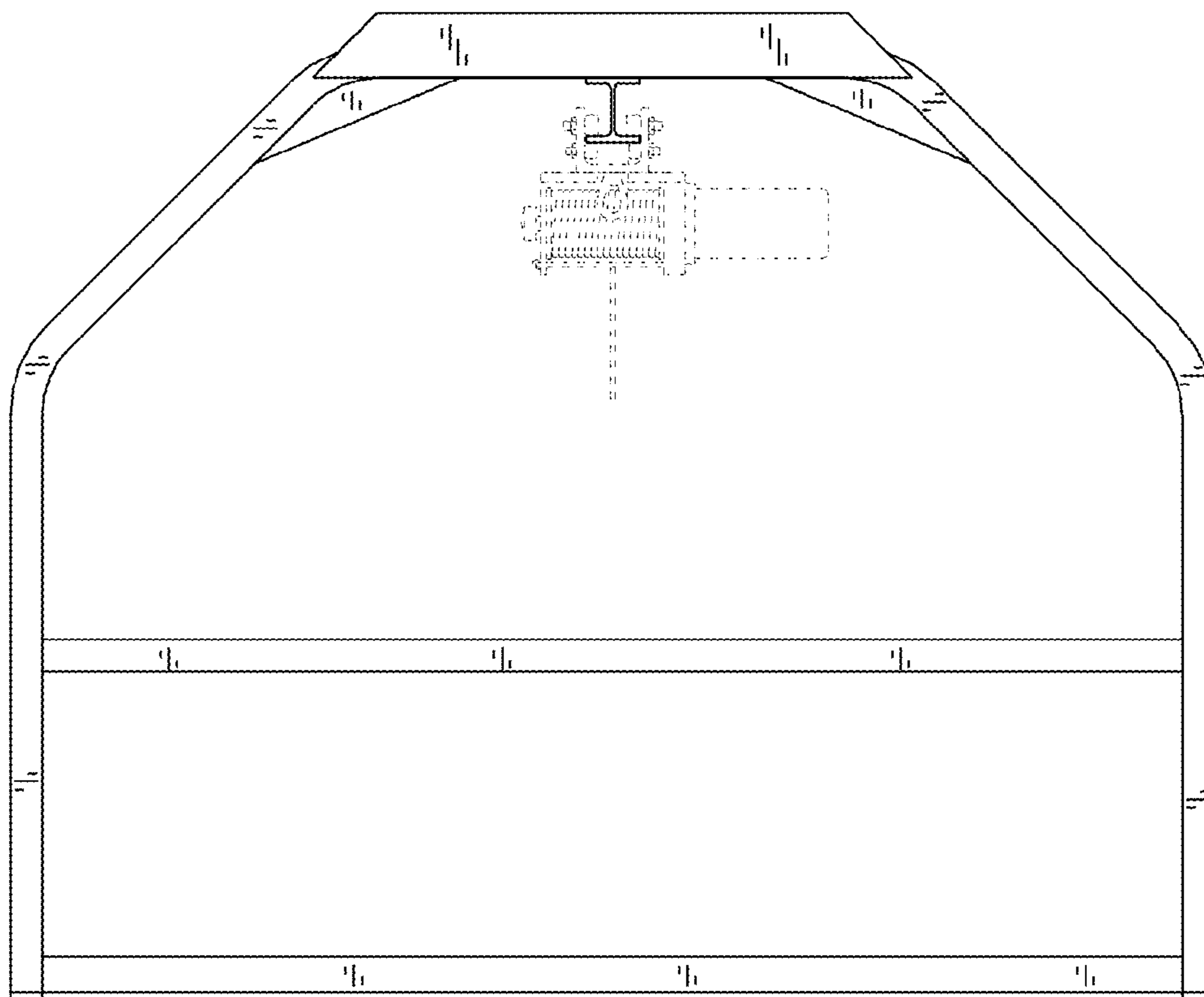


FIG. 2

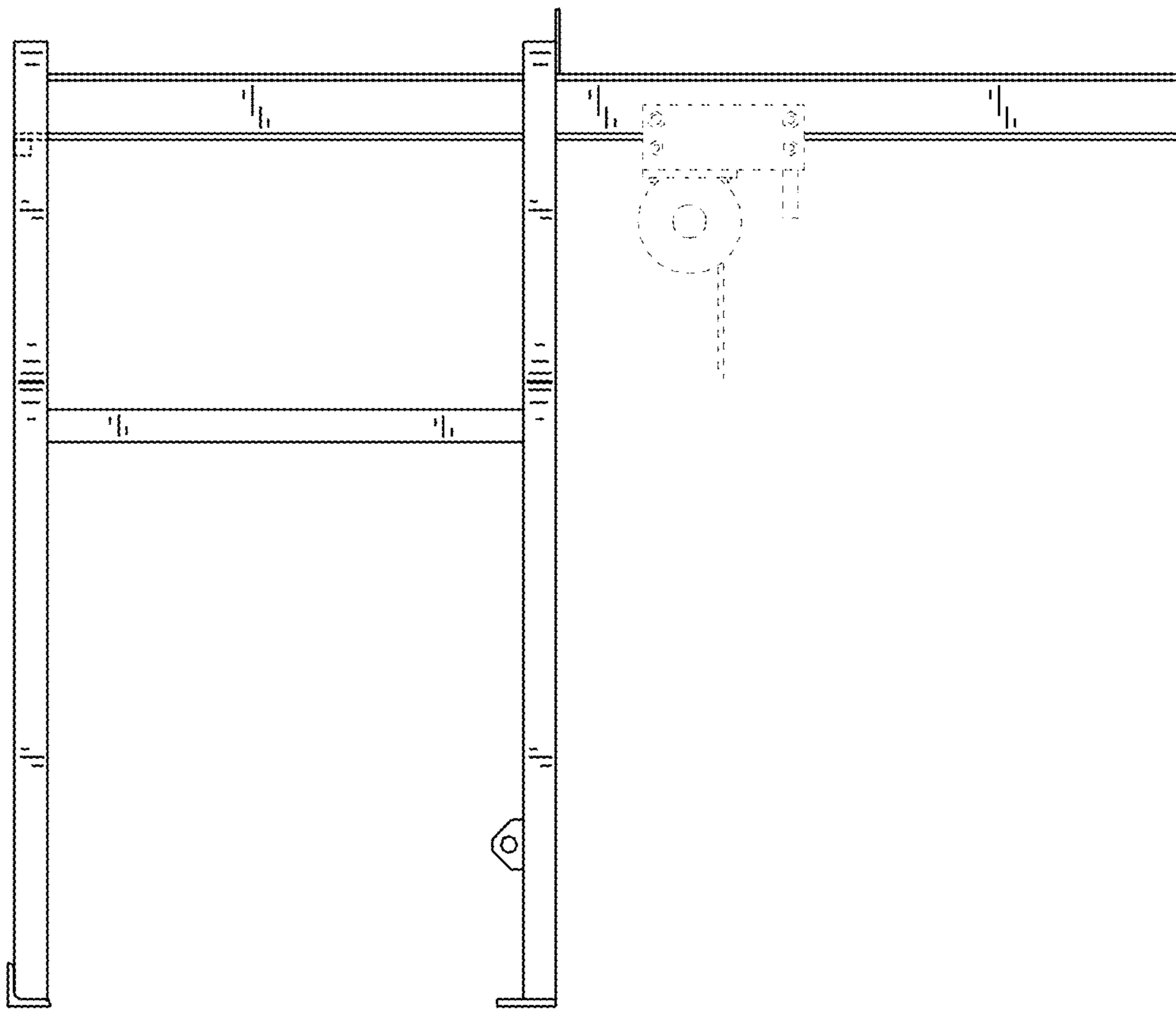


FIG. 3

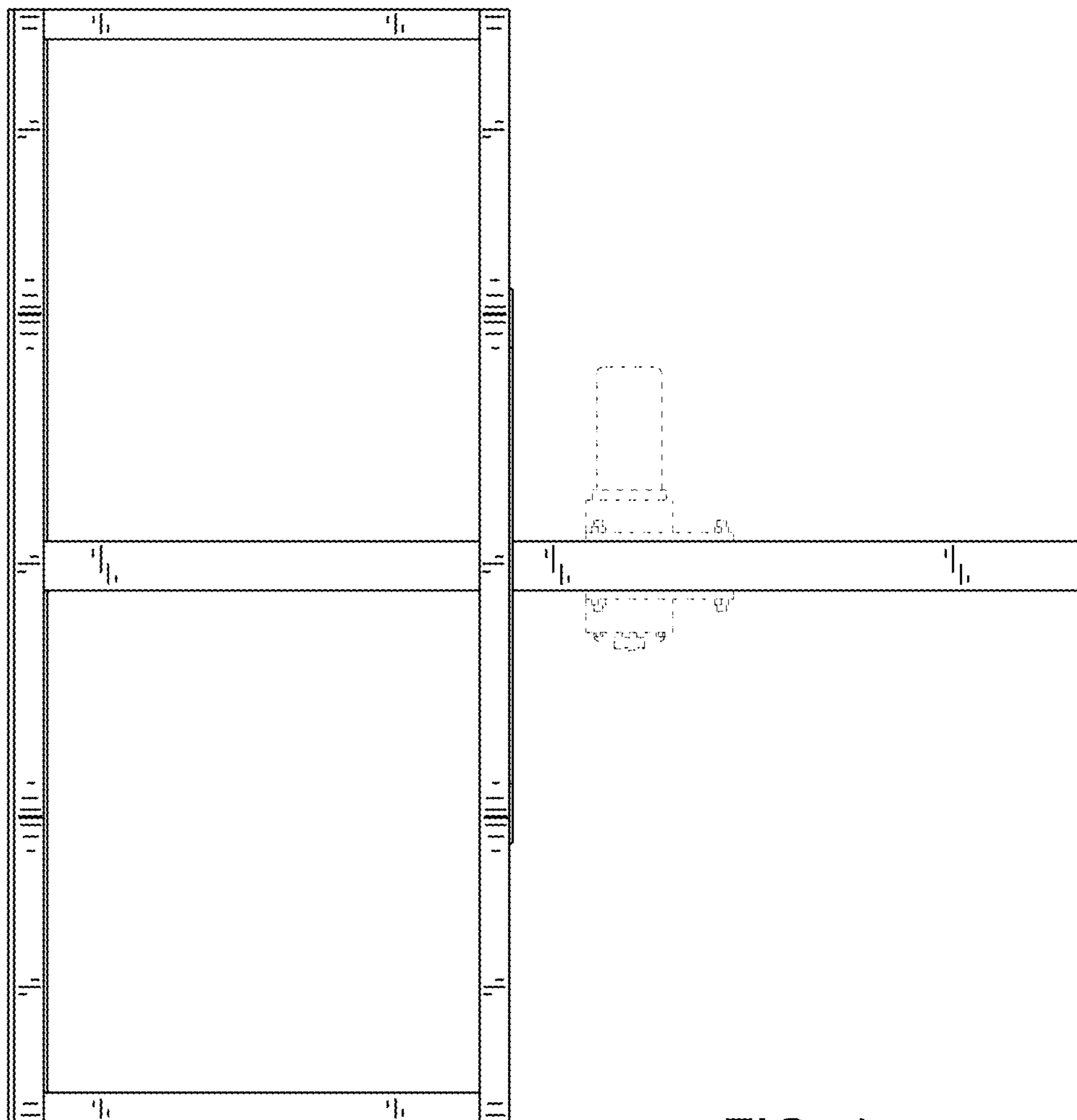


FIG. 4

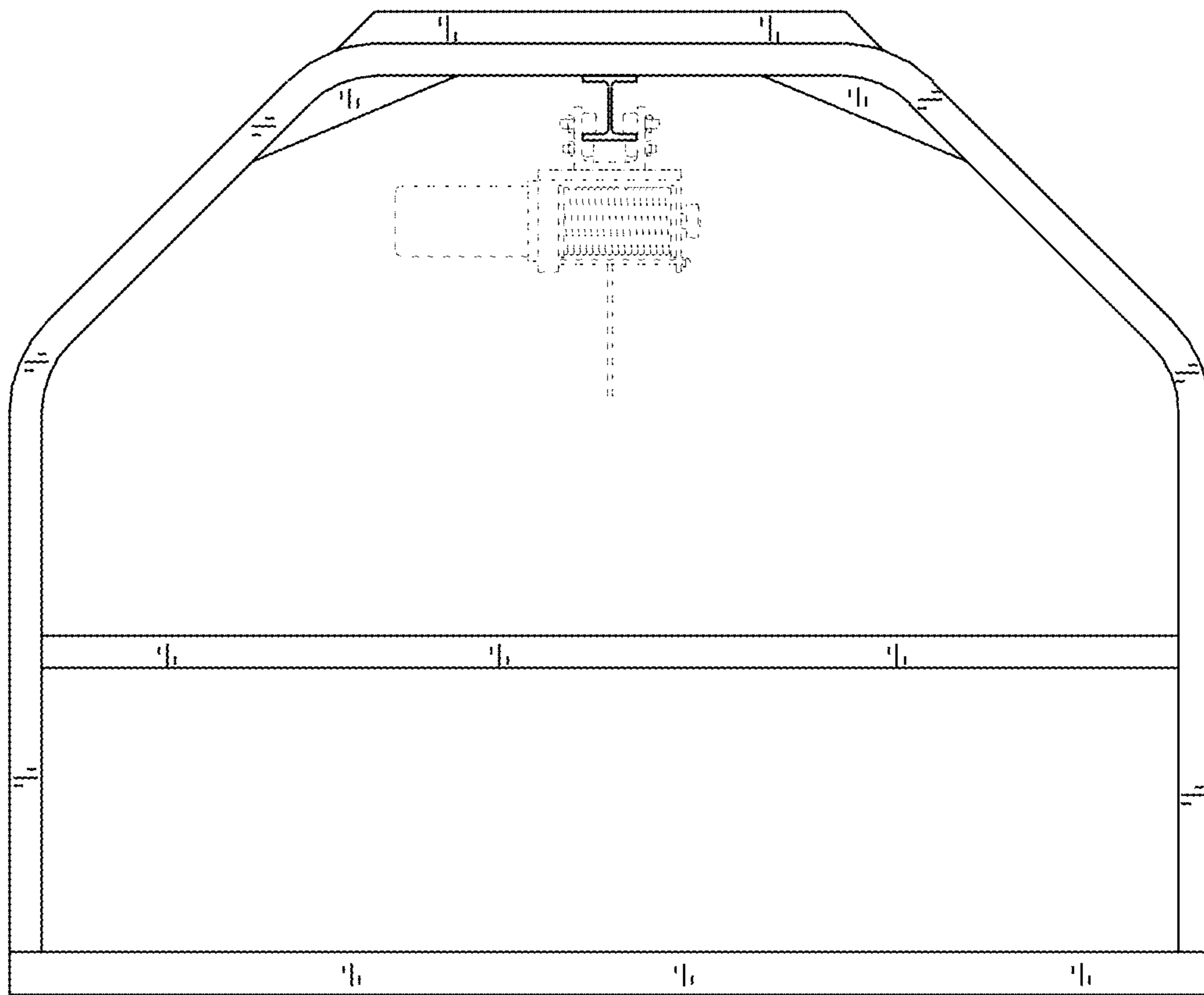


FIG. 5

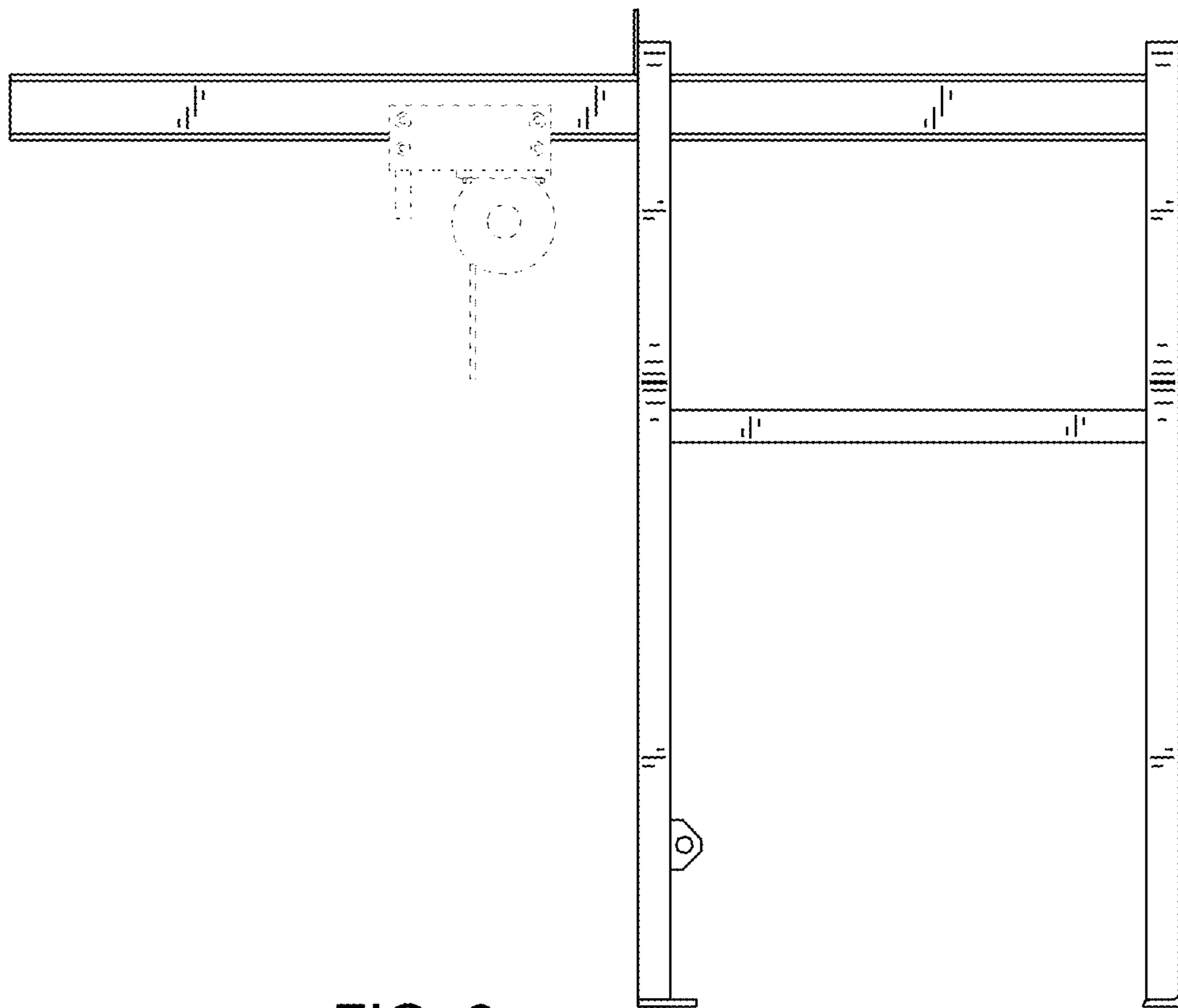


FIG. 6

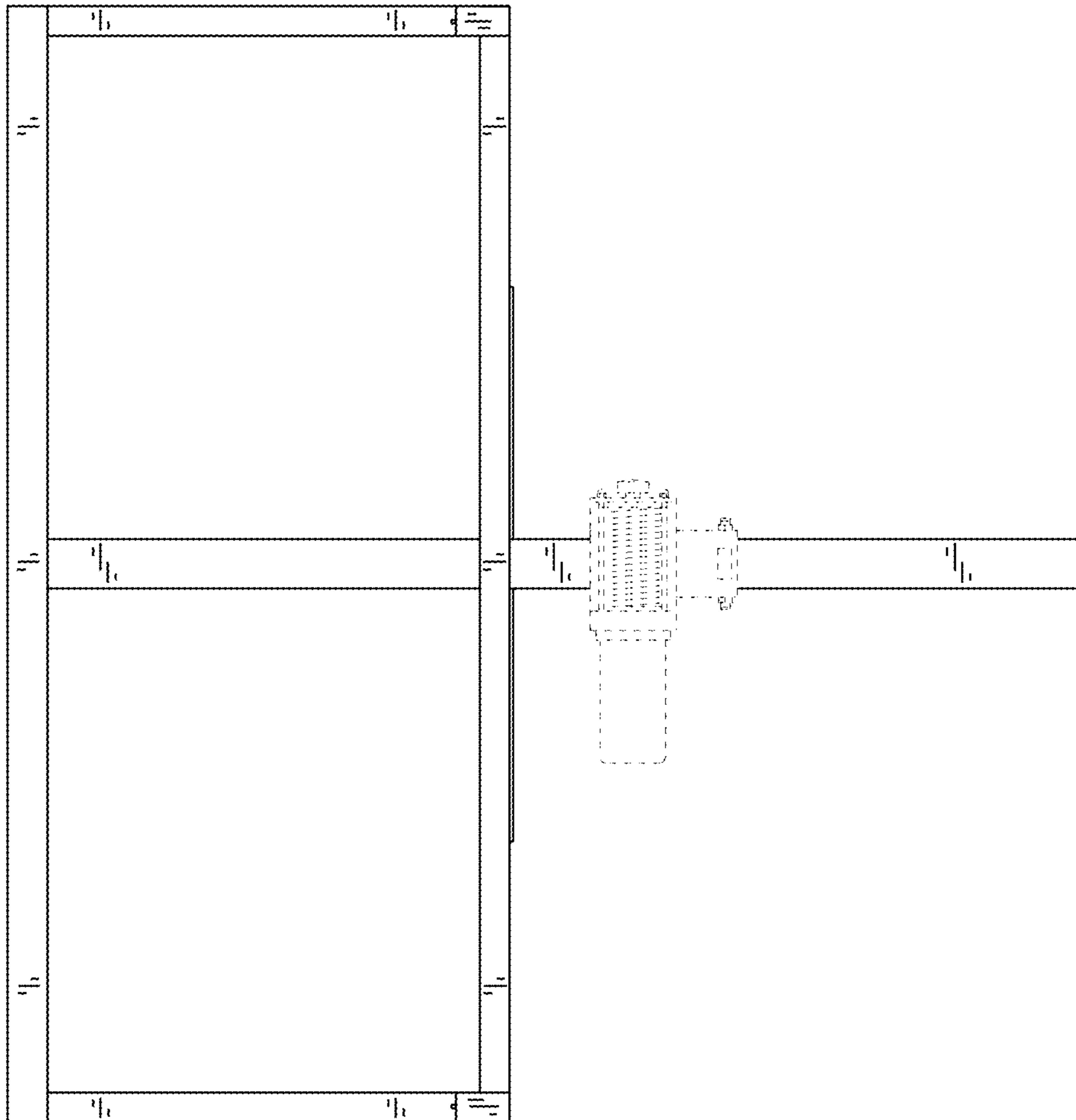


FIG. 7