



US00D748563S

(12) **United States Design Patent**
Furuki et al.

(10) **Patent No.:** **US D748,563 S**

(45) **Date of Patent:** **** Feb. 2, 2016**

(54) **CABIN FOR CONSTRUCTION EQUIPMENT**

(71) Applicant: **Kubota Corporation**, Osaka, Osaka (JP)

(72) Inventors: **Taiki Furuki**, Sakai (JP); **Yuji Yamashita**, Sakai (JP); **Hiroyuki Anami**, Sakai (JP); **Hideo Imai**, Sakai (JP)

(73) Assignee: **KUBOTA CORPORATION**, Osaka (JP)

(**) Term: **14 Years**

(21) Appl. No.: **29/474,466**

(22) Filed: **Sep. 26, 2014**

(51) **LOC (10) Cl.** **12-16**

(52) **U.S. Cl.**
USPC **D12/404**

(58) **Field of Classification Search**
USPC D12/401-405; D6/610, 611, 596, 601, D6/602, 603, 615, 617, 621; D7/332, D7/334-337; D15/30
CPC B62J 19/00; B62J 1/18; B62J 1/20; B62J 1/22; B62J 1/24; B62J 1/26; B62J 1/28
See application file for complete search history.

(56) **References Cited**

U.S. PATENT DOCUMENTS

- 6,209,949 B1 * 4/2001 Sakyo B62D 21/09 296/190.03
- 7,048,082 B2 * 5/2006 Mori B62D 23/005 180/311
- D603,881 S * 11/2009 Tamplain, III D15/30
- D605,207 S * 12/2009 Menges D15/30
- D625,246 S * 10/2010 Major D12/401
- D669,414 S * 10/2012 Budde D12/404

- D736,270 S * 8/2015 Jackson D15/30
- 2002/0027380 A1 * 3/2002 Teich B62D 33/0617 296/190.08
- 2004/0212221 A1 * 10/2004 Sato B29C 44/1209 296/190.08
- 2007/0024088 A1 * 2/2007 Mori E02F 9/163 296/190.08

* cited by examiner

Primary Examiner — Katrina A Betton

(74) *Attorney, Agent, or Firm* — Masuvalley & Partners

(57) **CLAIM**

The ornamental design for a cabin for construction equipment, as shown and described.

DESCRIPTION

FIG. 1 is a perspective view of the cabin for construction equipment according to the invention;
 FIG. 2 is a front elevation view of the cabin for construction equipment of FIG. 1;
 FIG. 3 is a rear elevation view of the cabin for construction equipment of FIG. 1;
 FIG. 4 is a right side elevation view of the cabin for construction equipment of FIG. 1;
 FIG. 5 is a left side elevation view of the cabin for construction equipment of FIG. 1;
 FIG. 6 is a top plan view of the cabin for construction equipment of FIG. 1;
 FIG. 7 is a bottom plan view of the cabin for construction equipment of FIG. 1; and,
 FIG. 8 is a perspective view of the cabin for construction equipment of FIG. 1, showing the cabin in its construction equipment environment.
 The broken line disclosure, as well as line shading in parts of the drawings are included for the purpose of illustrating use and environment and form no part of the claimed design.

1 Claim, 8 Drawing Sheets

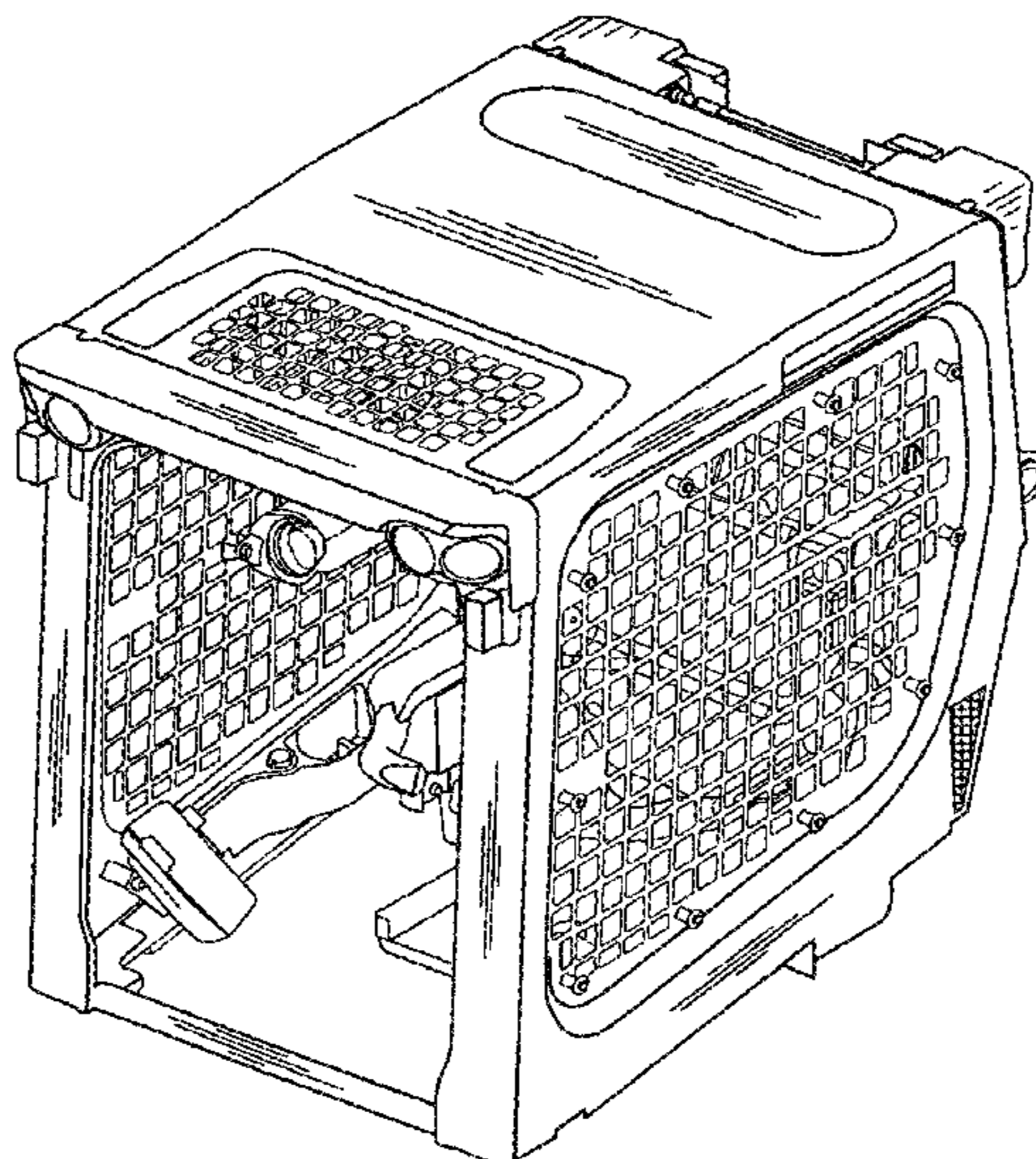


FIG. 1

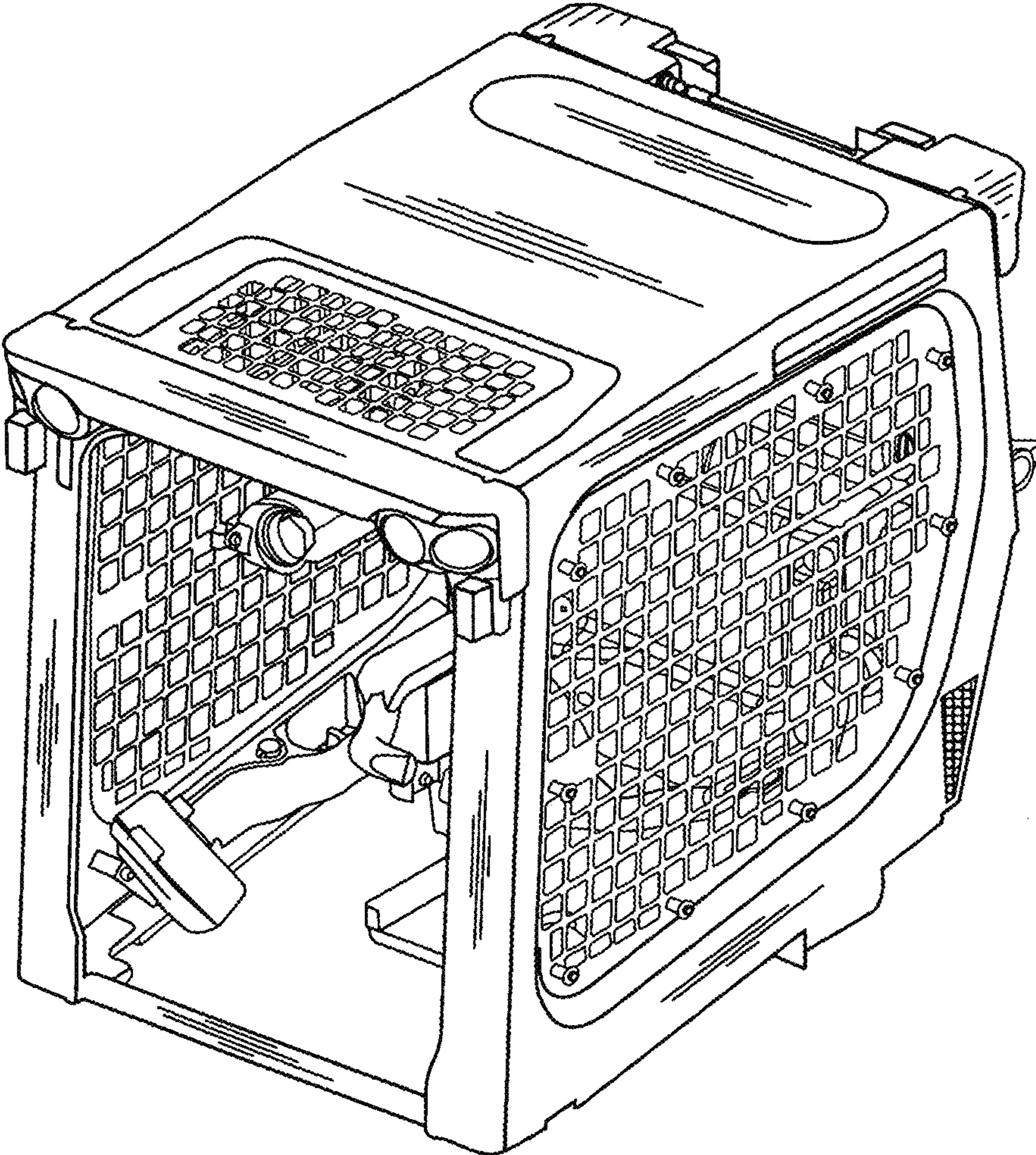


FIG. 2

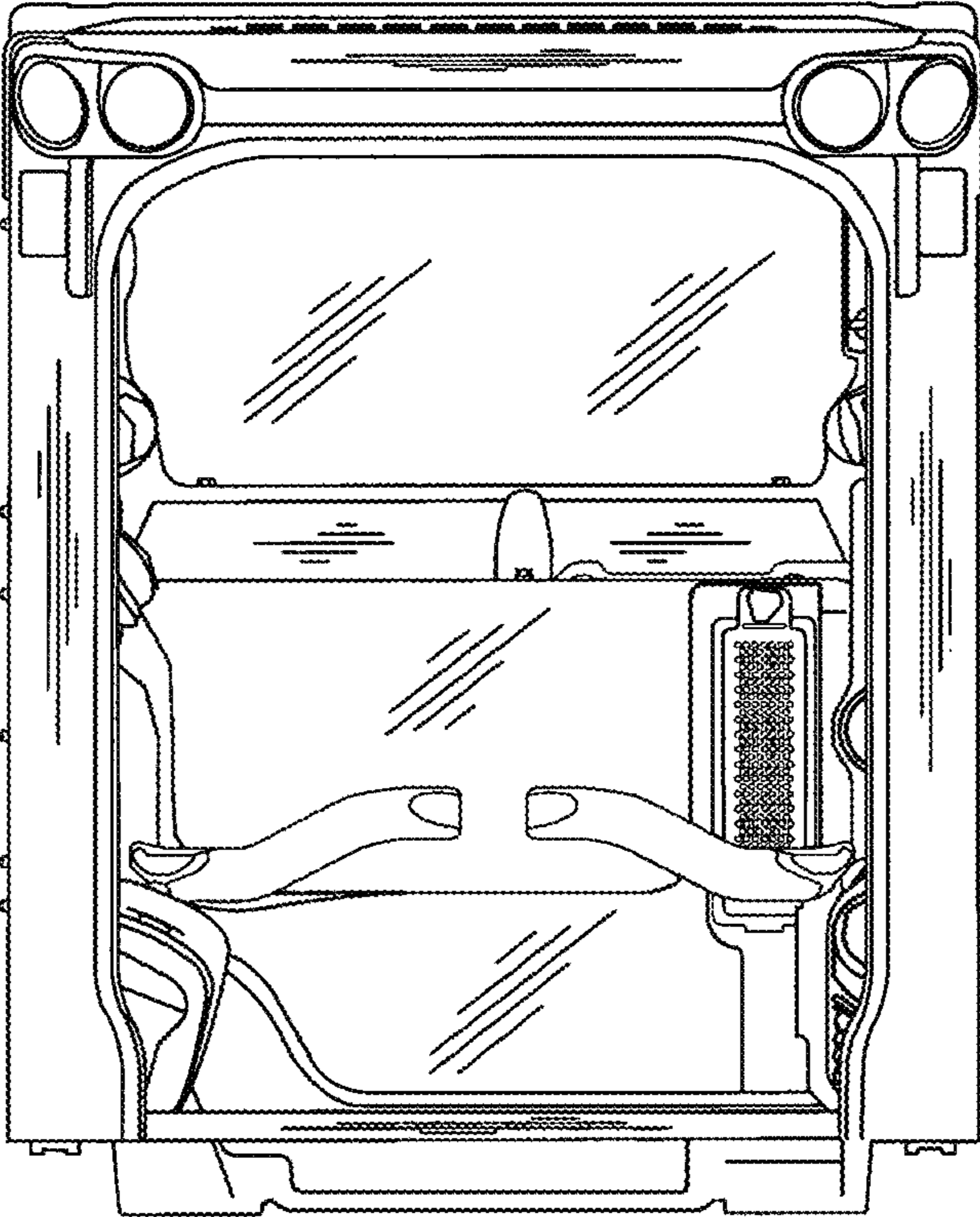


FIG. 3

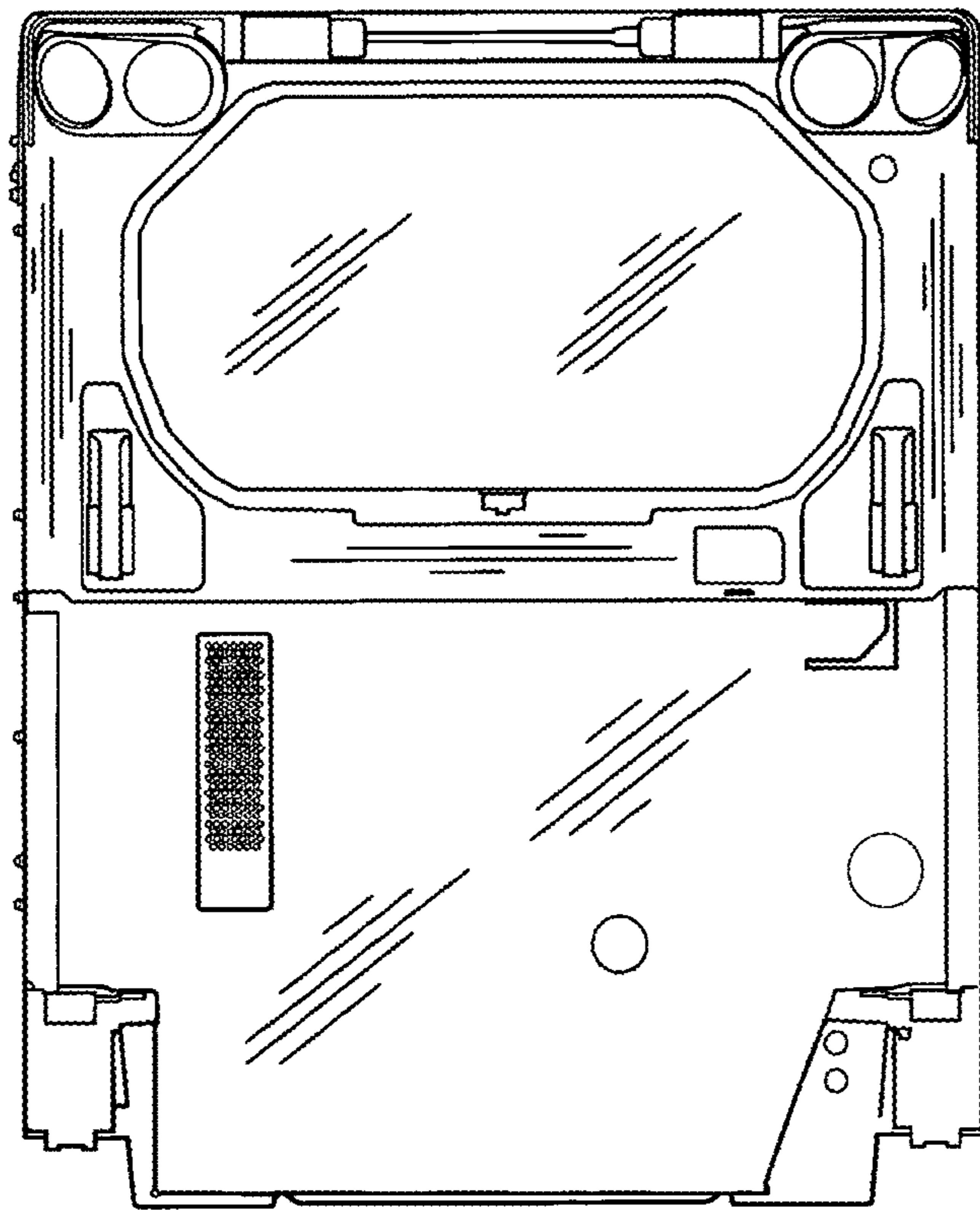


FIG. 4

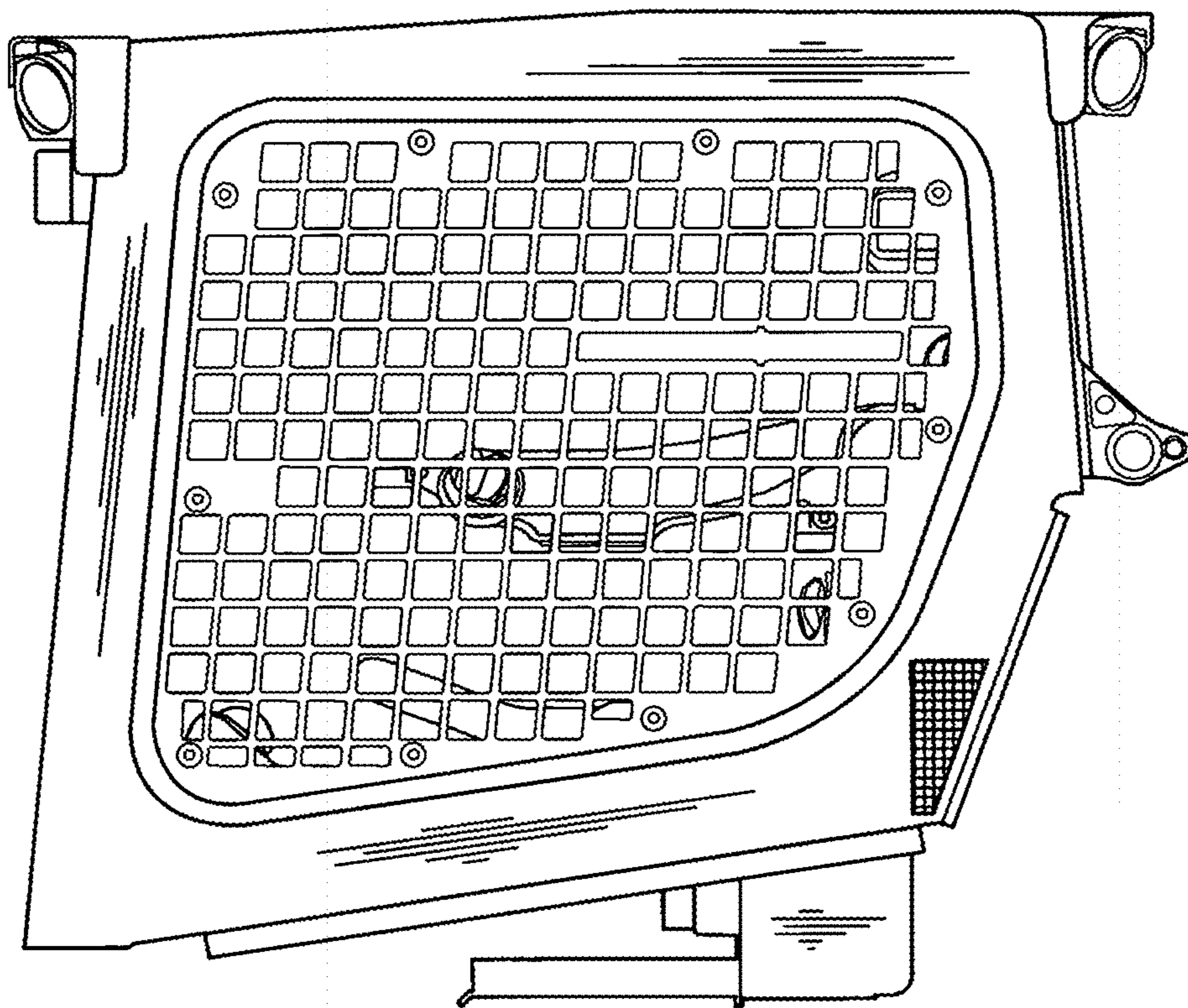


FIG. 5

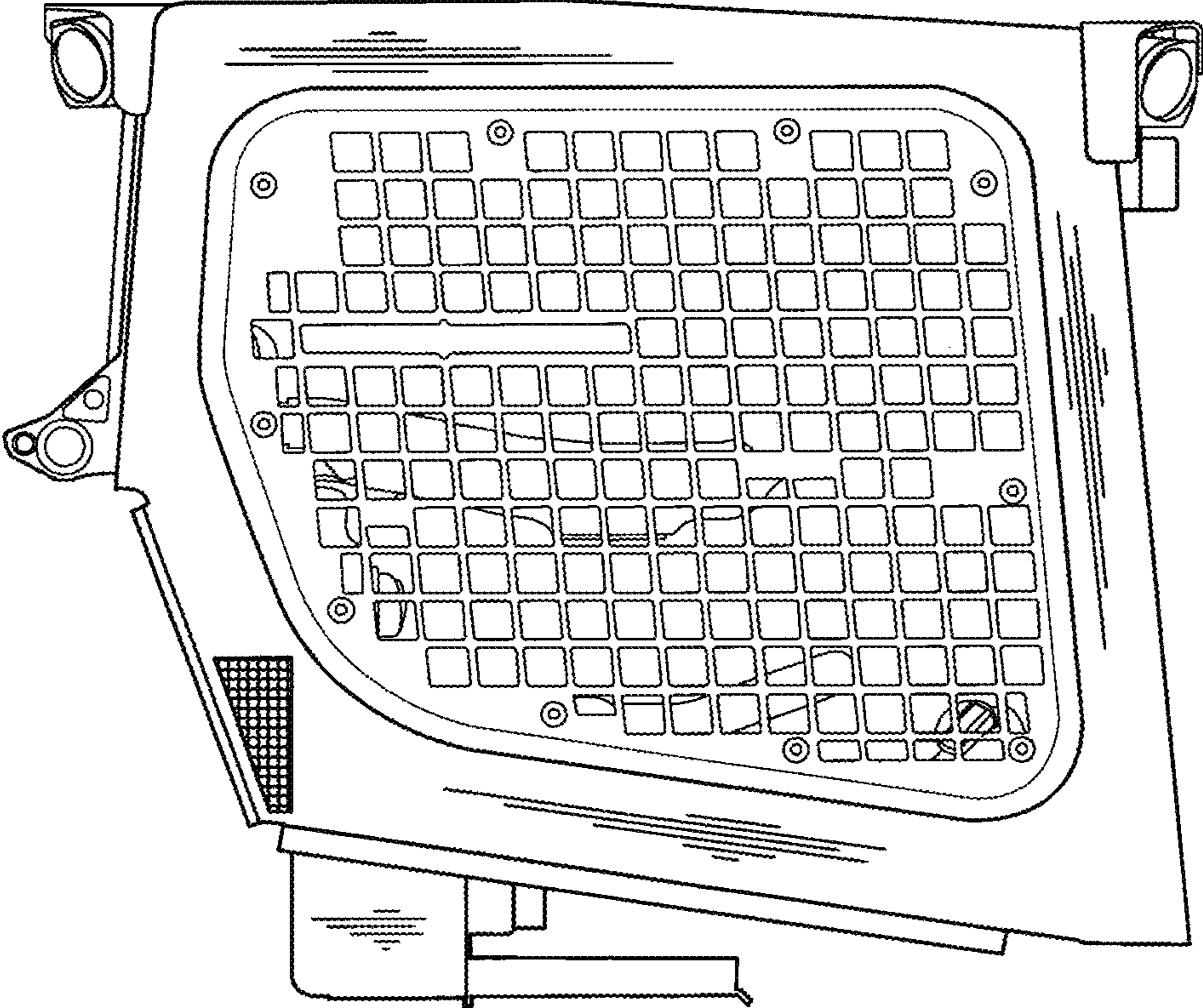


FIG. 6

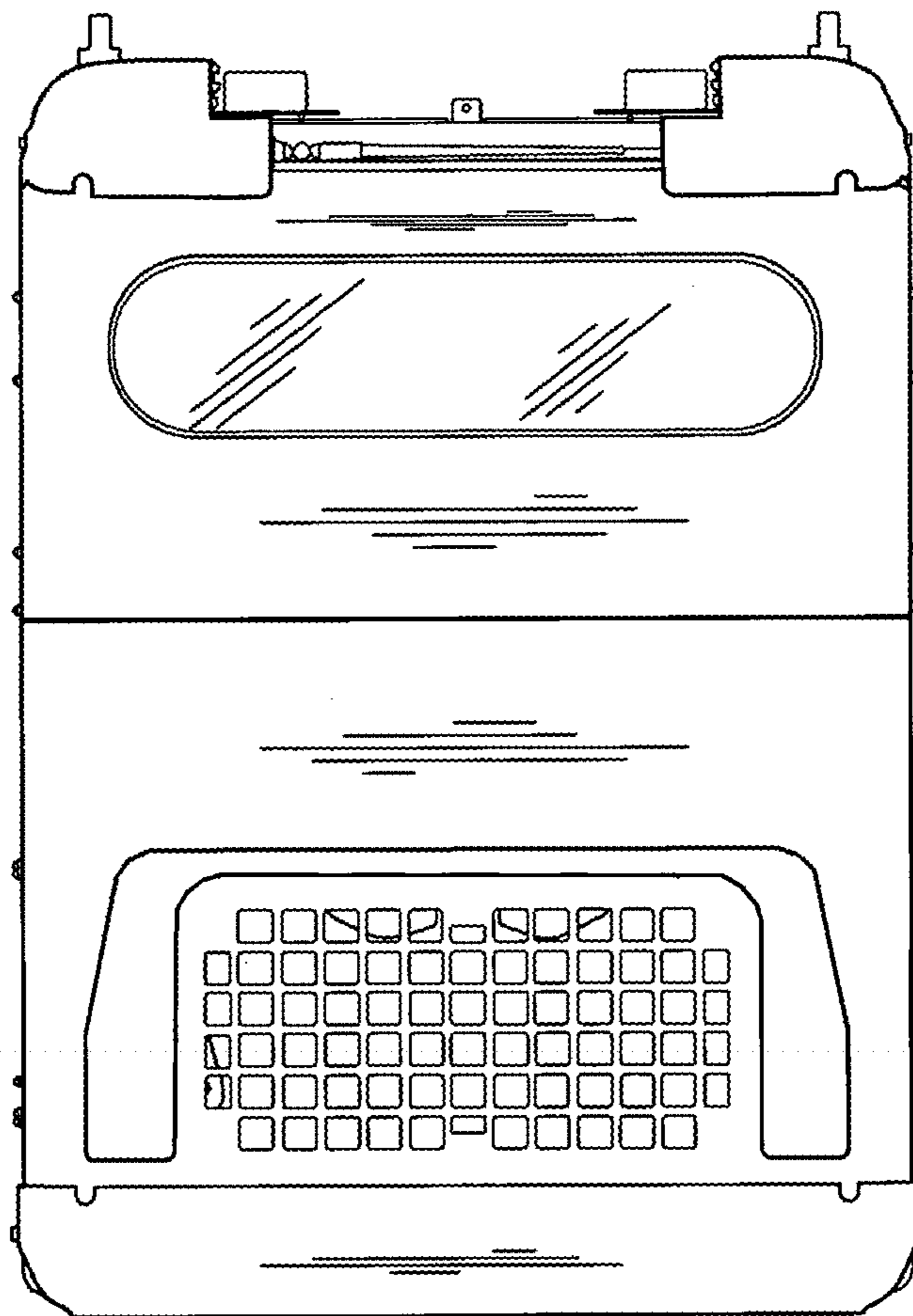


FIG. 7

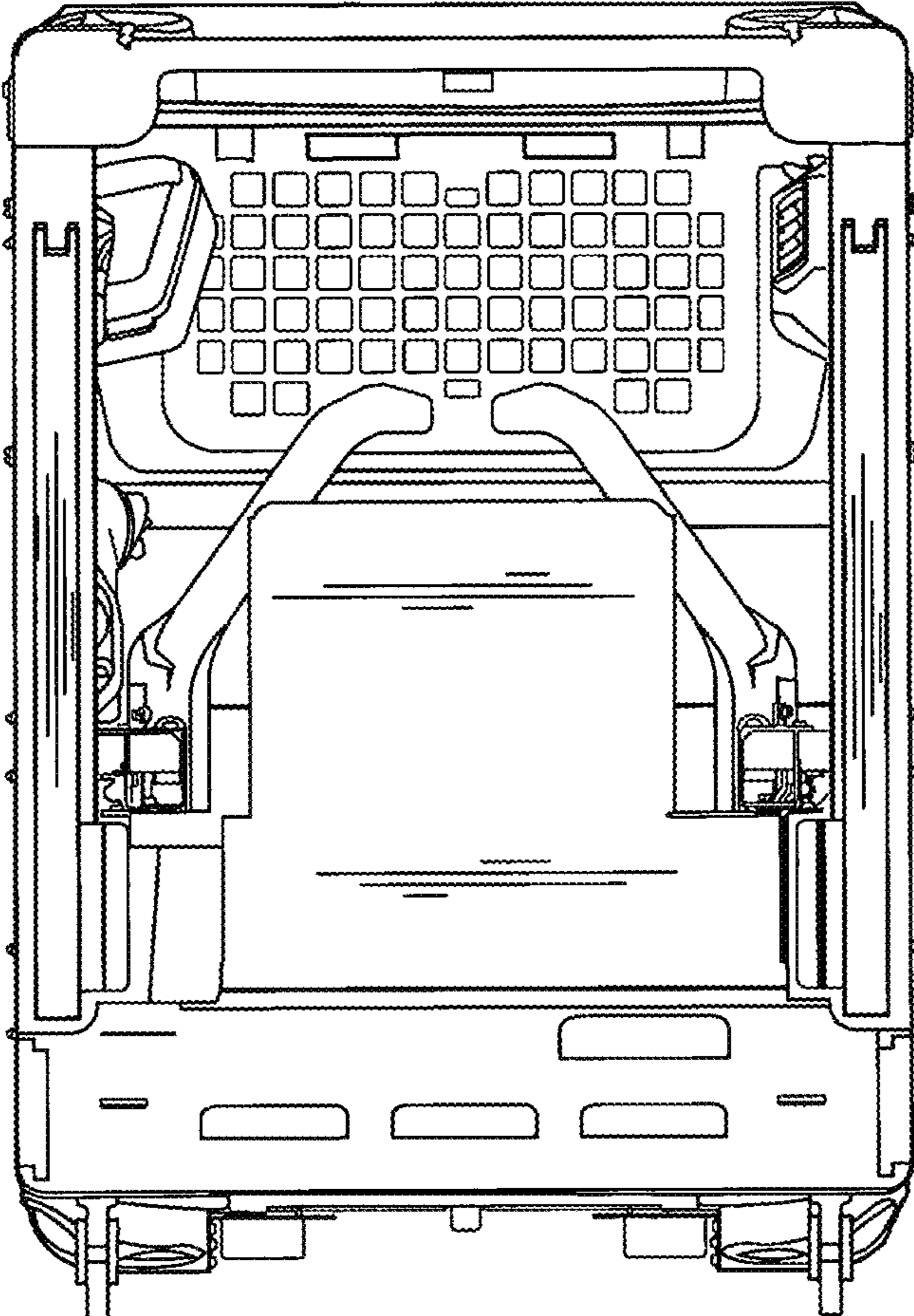


FIG. 8

