



US00D748562S

(12) **United States Design Patent**
Greenblatt

(10) **Patent No.:** **US D748,562 S**

(45) **Date of Patent:** **** Feb. 2, 2016**

(54) **BICYCLE SHELTER**

(71) Applicant: **Everlast Climbing Industries, Inc.**,
Mendota Heights, MN (US)

(72) Inventor: **Joel Greenblatt**, Wauwatosa, WI (US)

(73) Assignee: **EVERLAST CLIMBING INDUSTRIES, INC.**, Mendota Heights, MN (US)

(**) Term: **14 Years**

(21) Appl. No.: **29/512,407**

(22) Filed: **Dec. 18, 2014**

(51) **LOC (10) Cl.** **12-16**

(52) **U.S. Cl.**
USPC **D12/402**

(58) **Field of Classification Search**
USPC D12/401–405; D6/610, 611, 596, 601,
D6/602, 603, 615, 617, 621; D7/332,
D7/334–337
CPC B62J 19/00; B62J 1/18; B62J 1/20;
B62J 1/22; B62J 1/24; B62J 1/26; B62J 1/28
See application file for complete search history.

(56) **References Cited**

U.S. PATENT DOCUMENTS

- 5,094,257 A * 3/1992 Wilson E04H 15/38
135/148
- 5,975,614 A * 11/1999 McGrue B62J 17/08
296/102
- D619,387 S * 7/2010 Davenport D6/663
- D638,777 S * 5/2011 Poland D12/402
- D675,556 S * 2/2013 Isakov D12/402
- D689,011 S * 9/2013 Isakov D12/402
- D689,579 S * 9/2013 Barker D21/834
- D691,549 S * 10/2013 Kara D12/402
- D732,460 S * 6/2015 Seneker D12/403

D737,180 S * 8/2015 Gholston D12/114

* cited by examiner

Primary Examiner — Katrina A Betton

(74) *Attorney, Agent, or Firm* — McAndrews, Held & Malloy, Ltd.

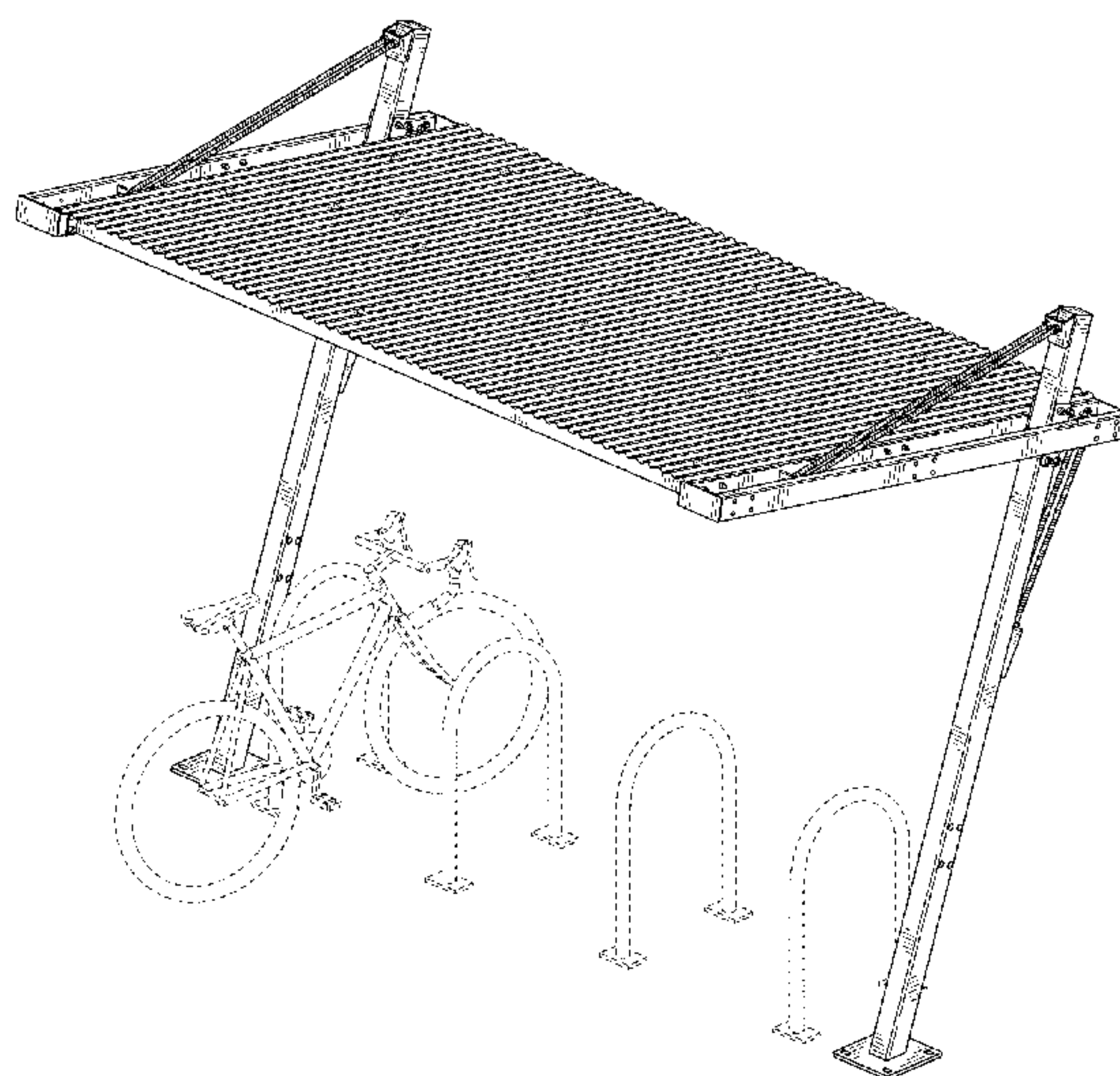
(57) **CLAIM**

The ornamental design for a bicycle shelter, as shown and described.

DESCRIPTION

FIG. 1 is top, front, right side perspective view of a bicycle shelter showing my new design;
 FIG. 2 is a front elevational view thereof;
 FIG. 3 is a rear elevational view thereof;
 FIG. 4 is a right side elevational view thereof;
 FIG. 5 is a left side elevational view thereof;
 FIG. 6 is a top plan view thereof;
 FIG. 7 is a top, front, right side perspective view thereof, including additional environmental features;
 FIG. 8 is a bottom, front, right side perspective view thereof;
 FIG. 9 is a top, front, right side perspective view thereof, including additional unclaimed features;
 FIG. 10 is a front elevational view thereof, including additional unclaimed features;
 FIG. 11 is a rear elevational view thereof, including additional unclaimed features;
 FIG. 12 is a right side elevational view thereof, including additional unclaimed features;
 FIG. 13 is a left side elevational view thereof, including additional unclaimed features;
 FIG. 14 is a top, front, right side perspective view thereof, including additional unclaimed modular and environmental features; and,
 FIG. 15 is a bottom, front, right side perspective view thereof, including additional unclaimed features.
 The broken lines of FIGS. 1 through 15 are for environmental purposes only and form no part of the claimed design.

1 Claim, 13 Drawing Sheets



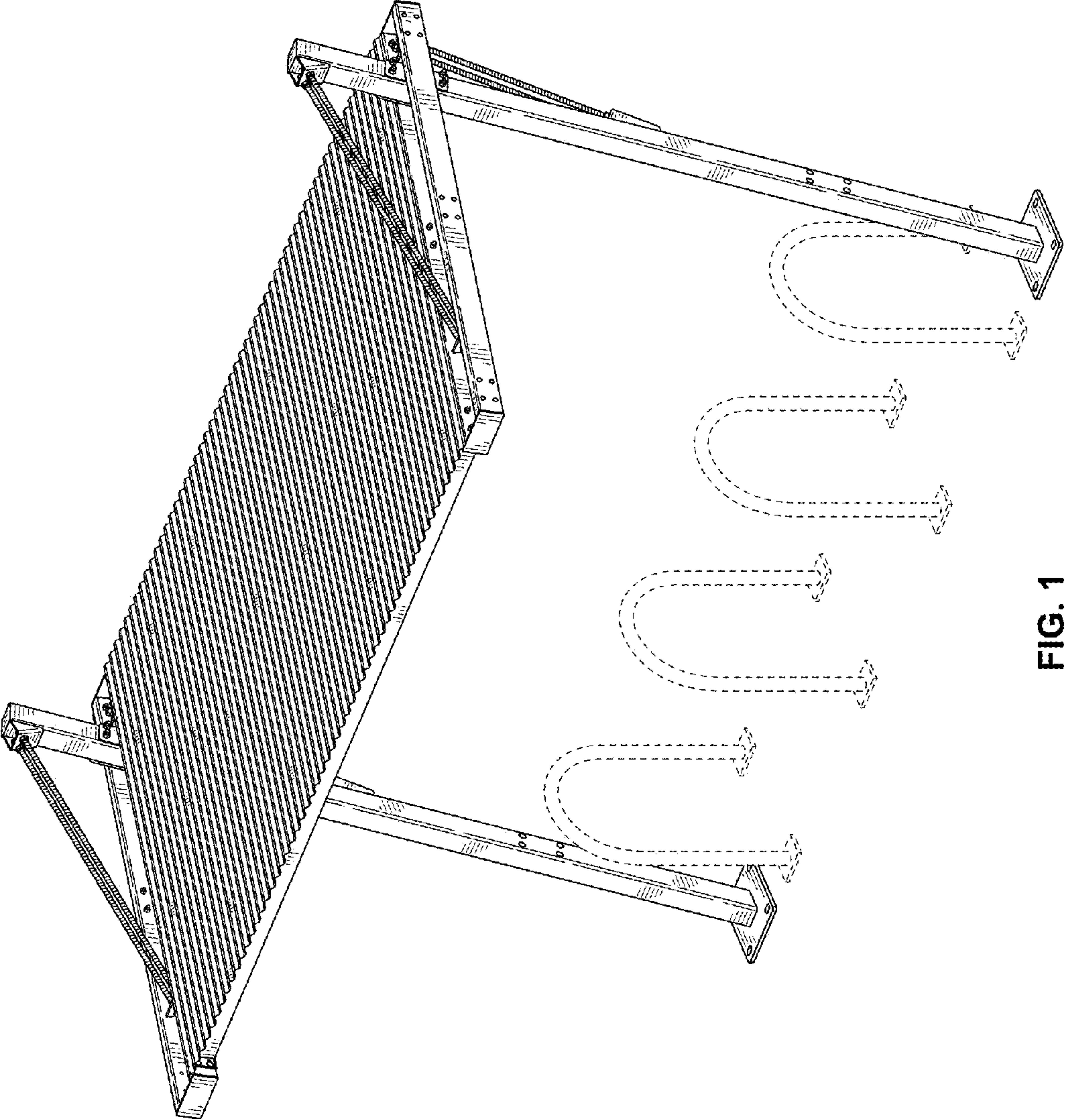


FIG. 1

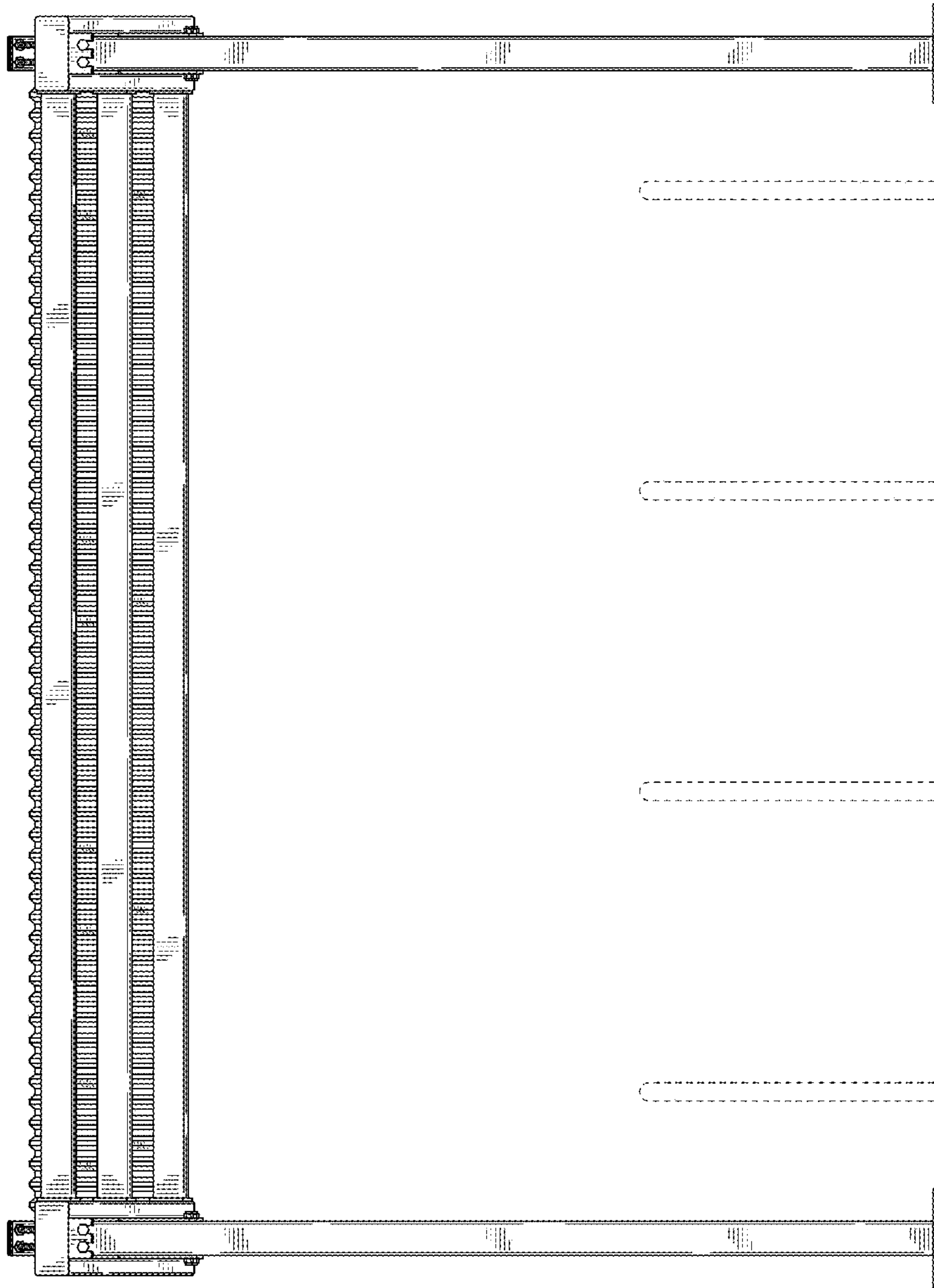


FIG. 2

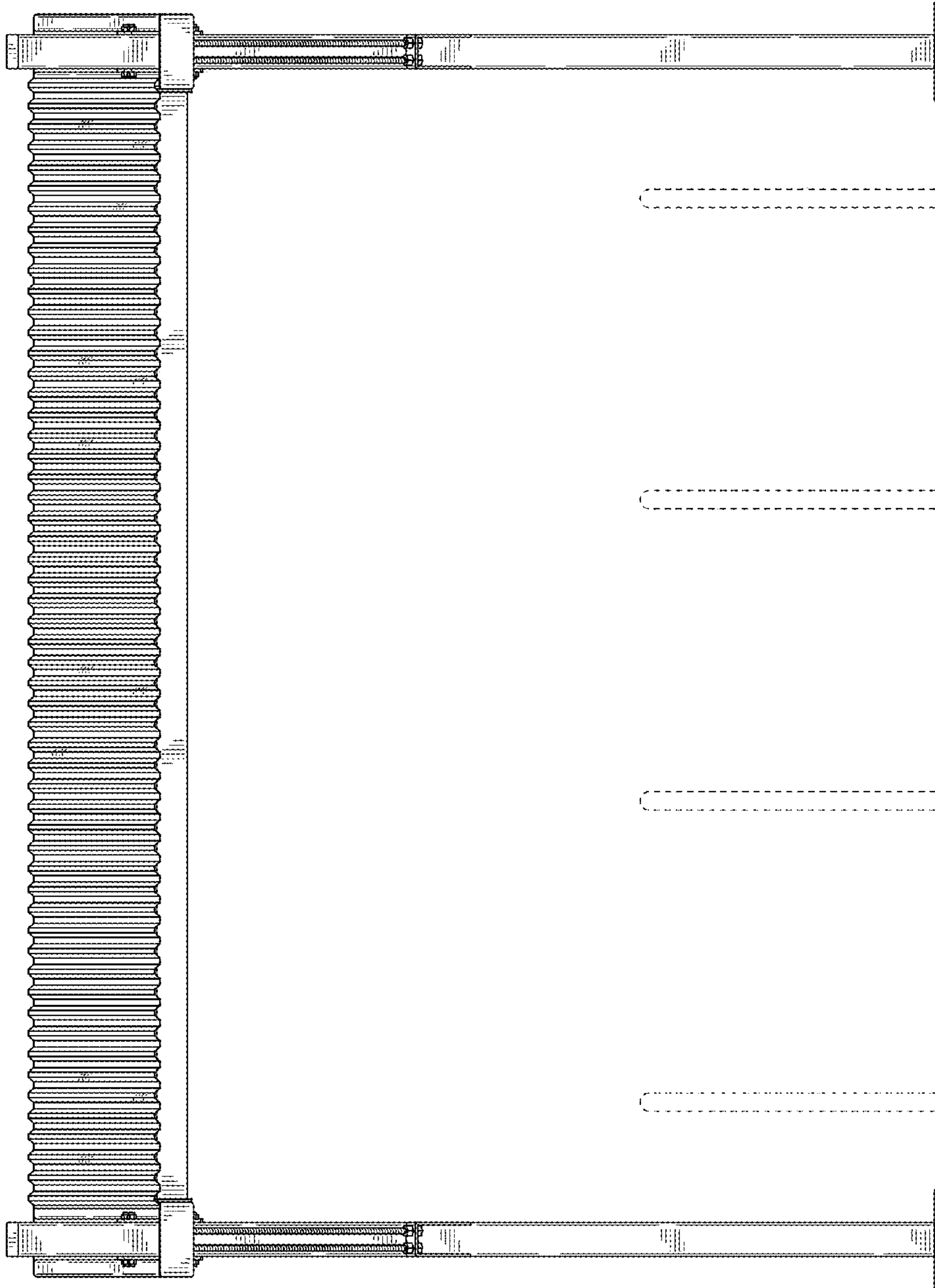


FIG. 3

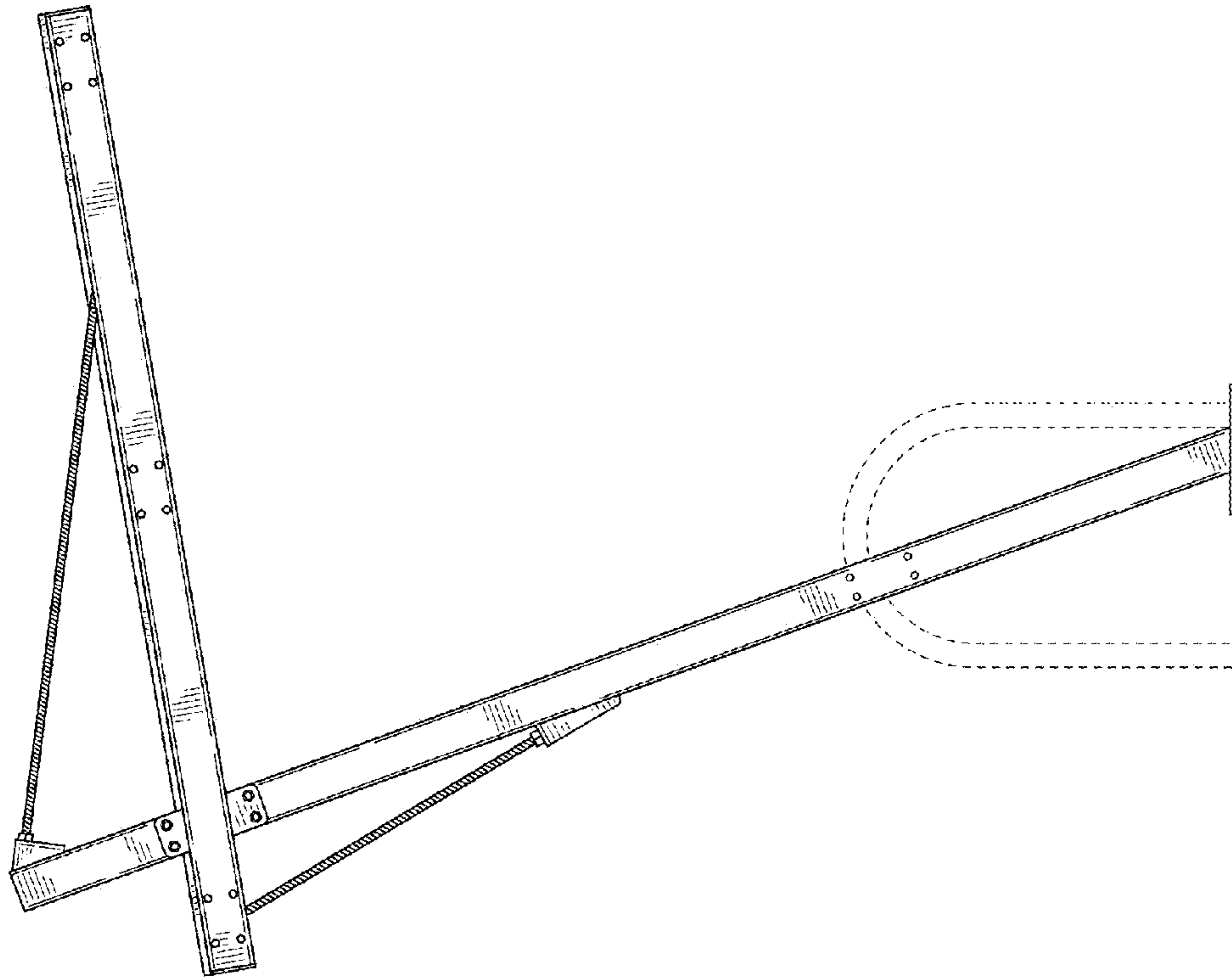


FIG. 5

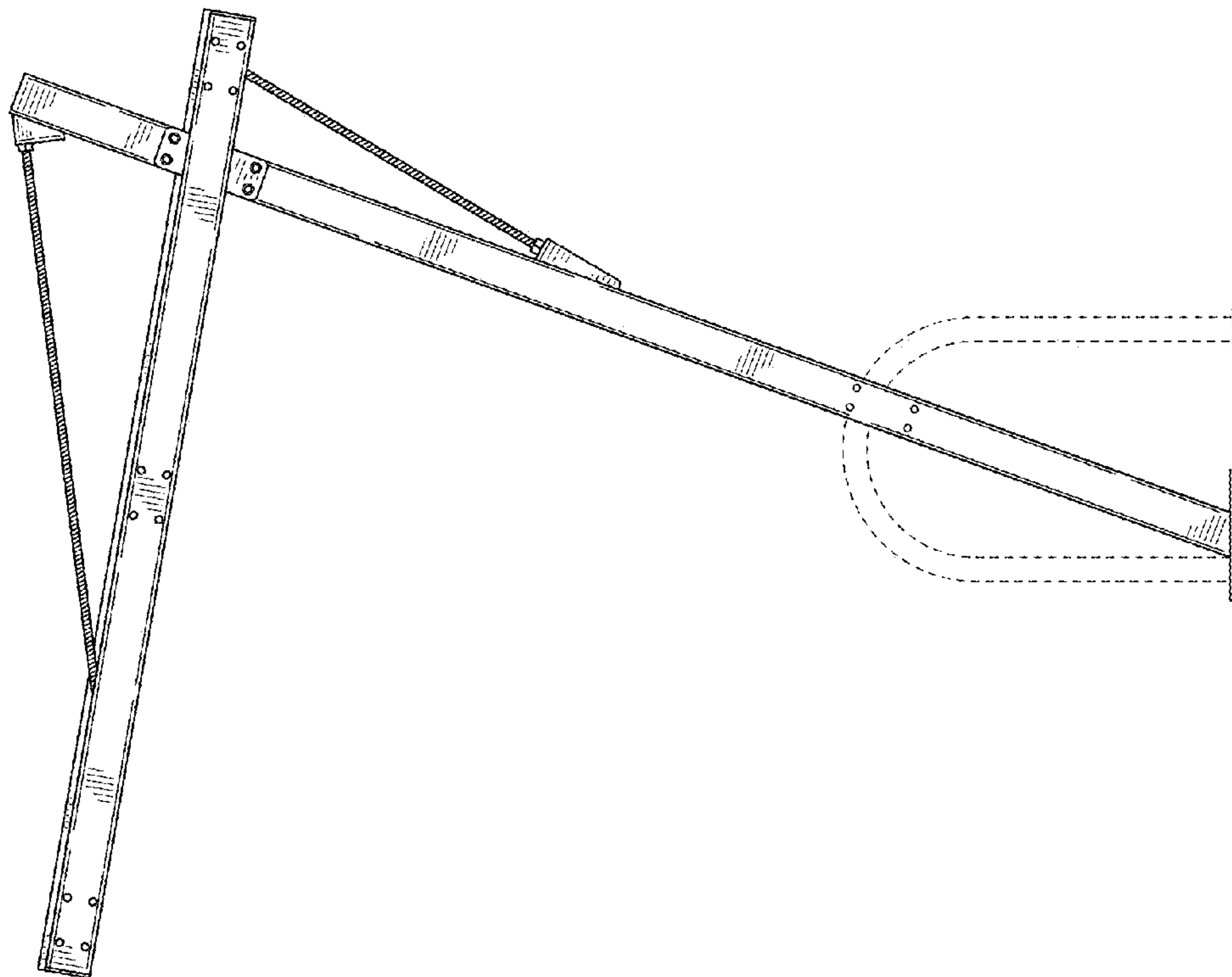


FIG. 4

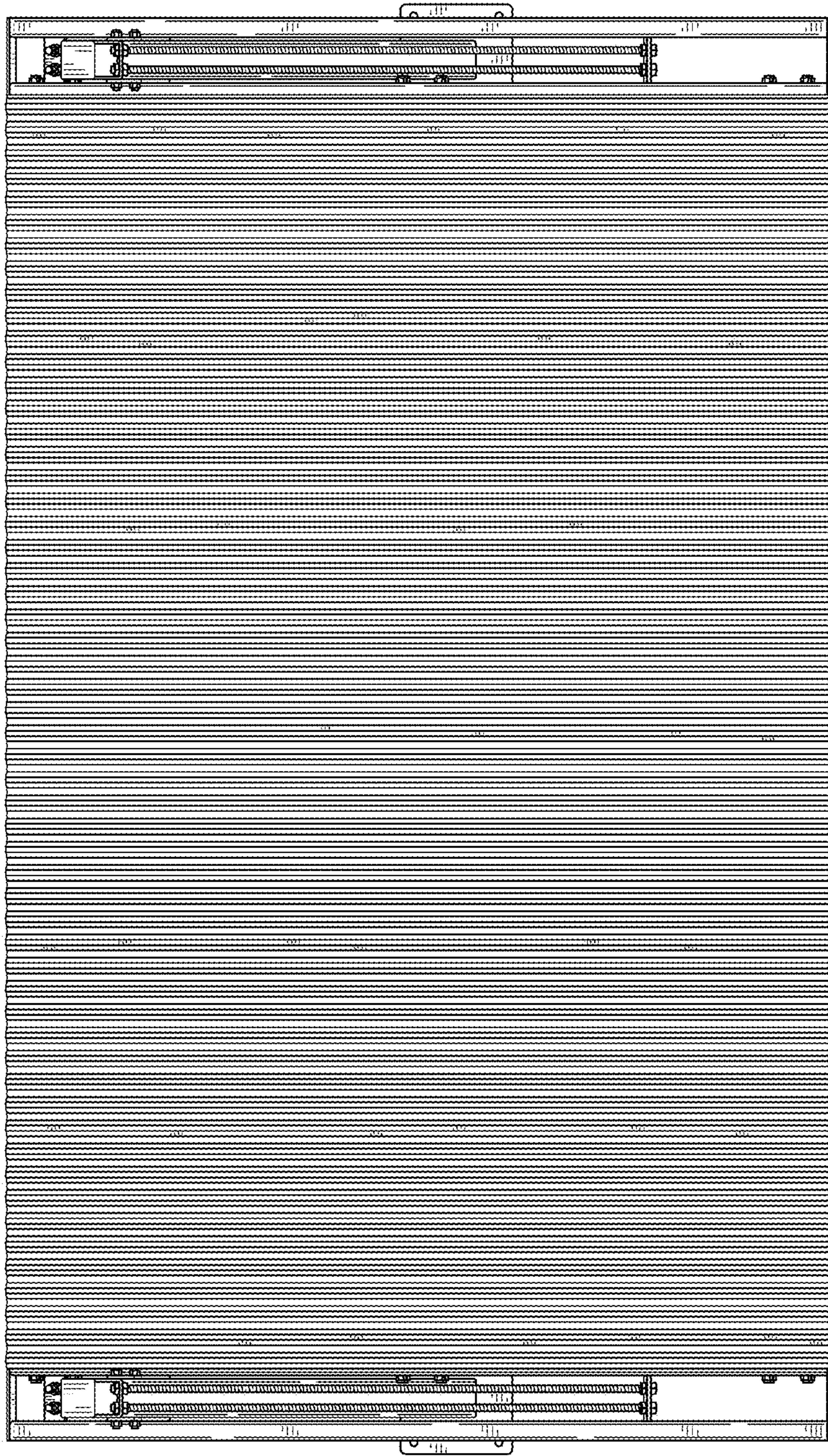


FIG. 6

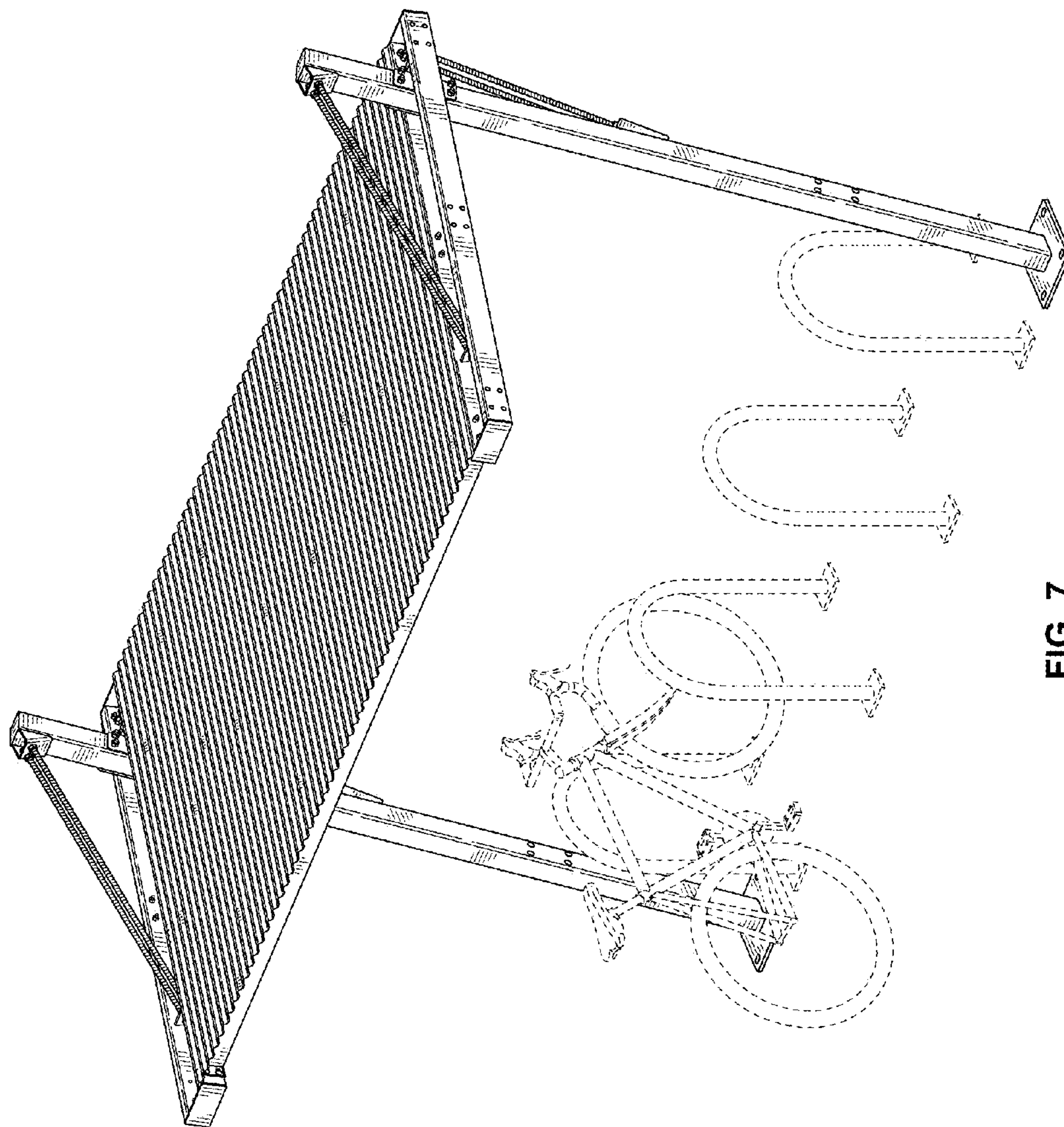


FIG. 7

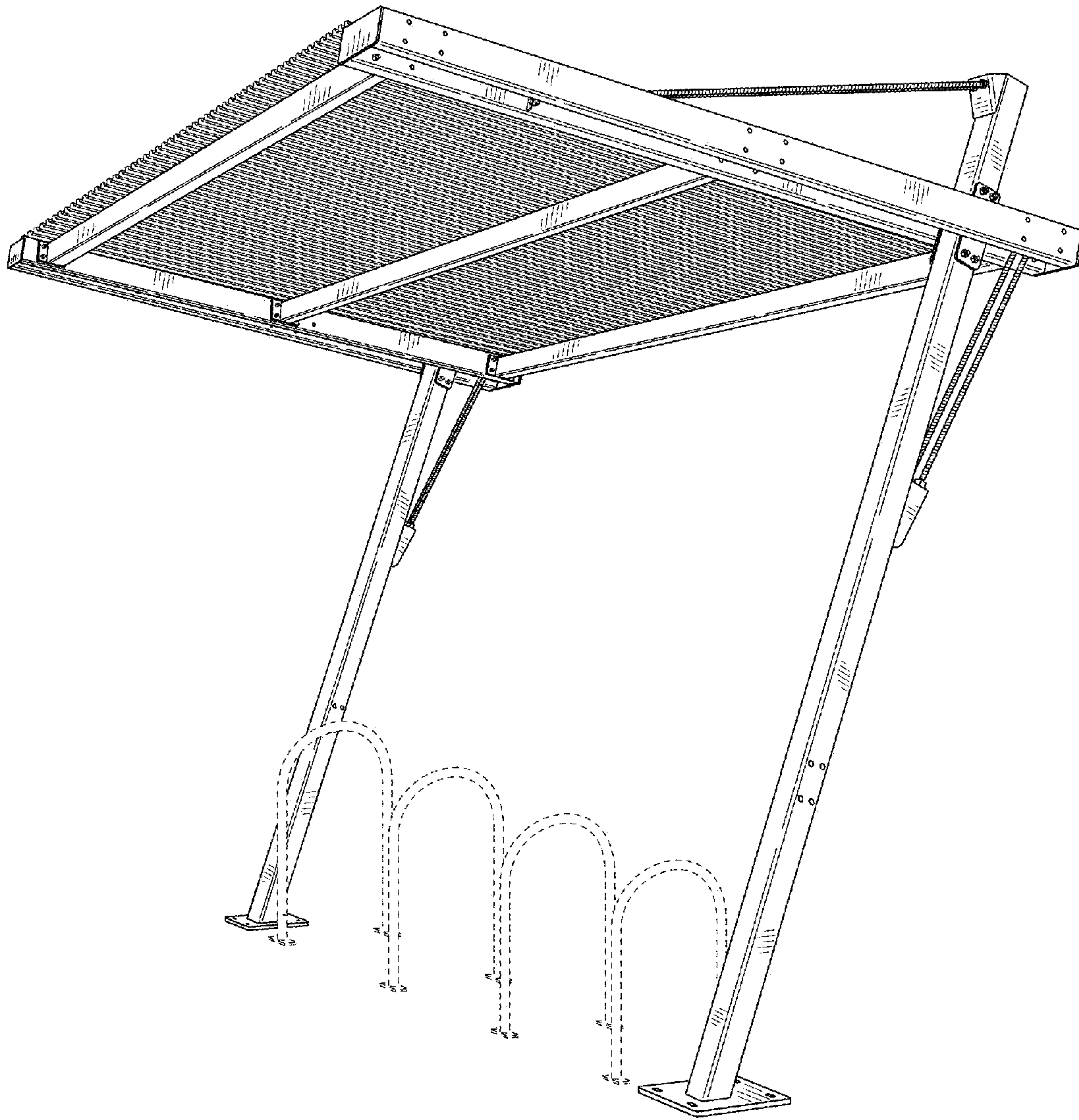


FIG. 8

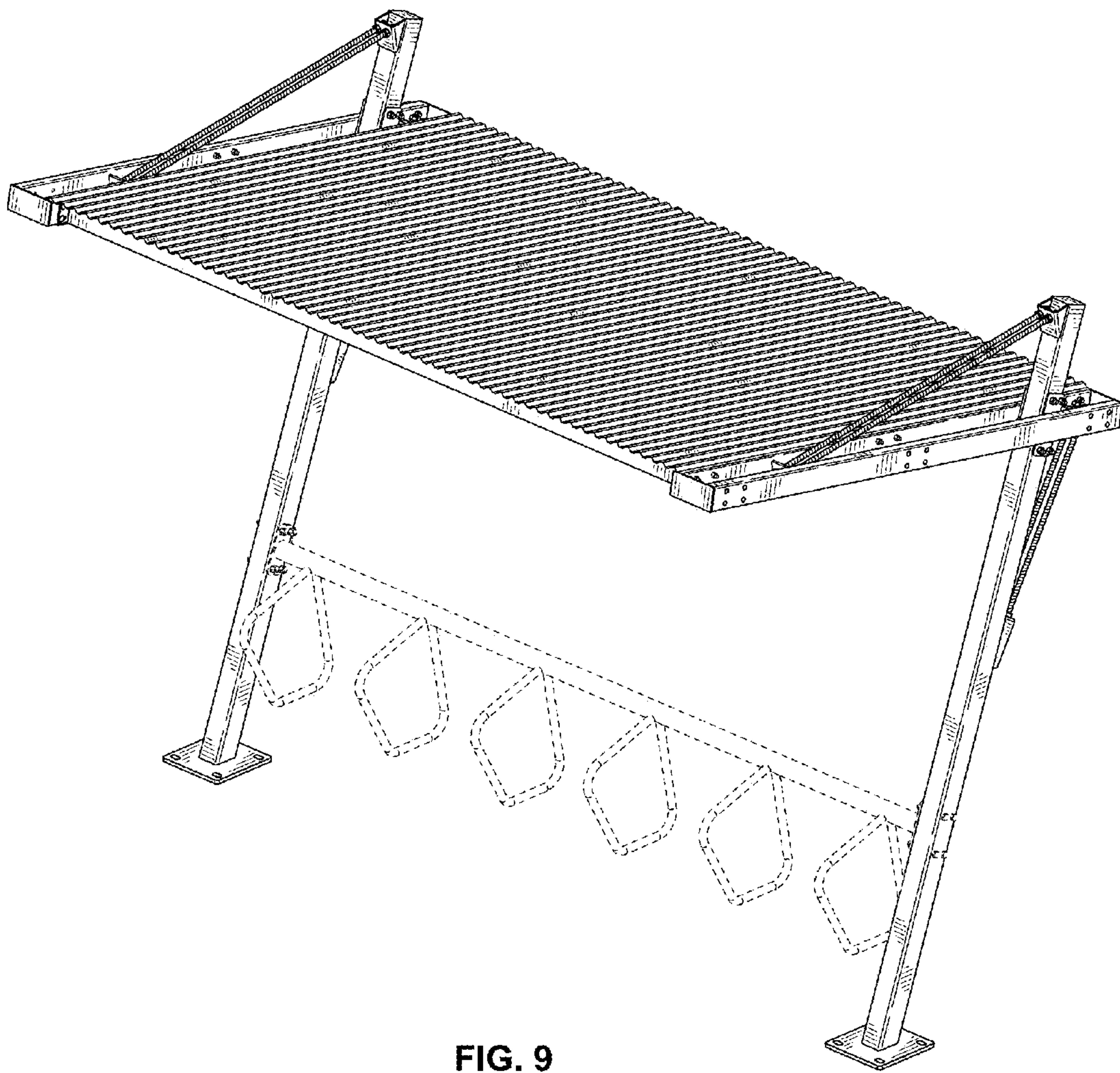


FIG. 9

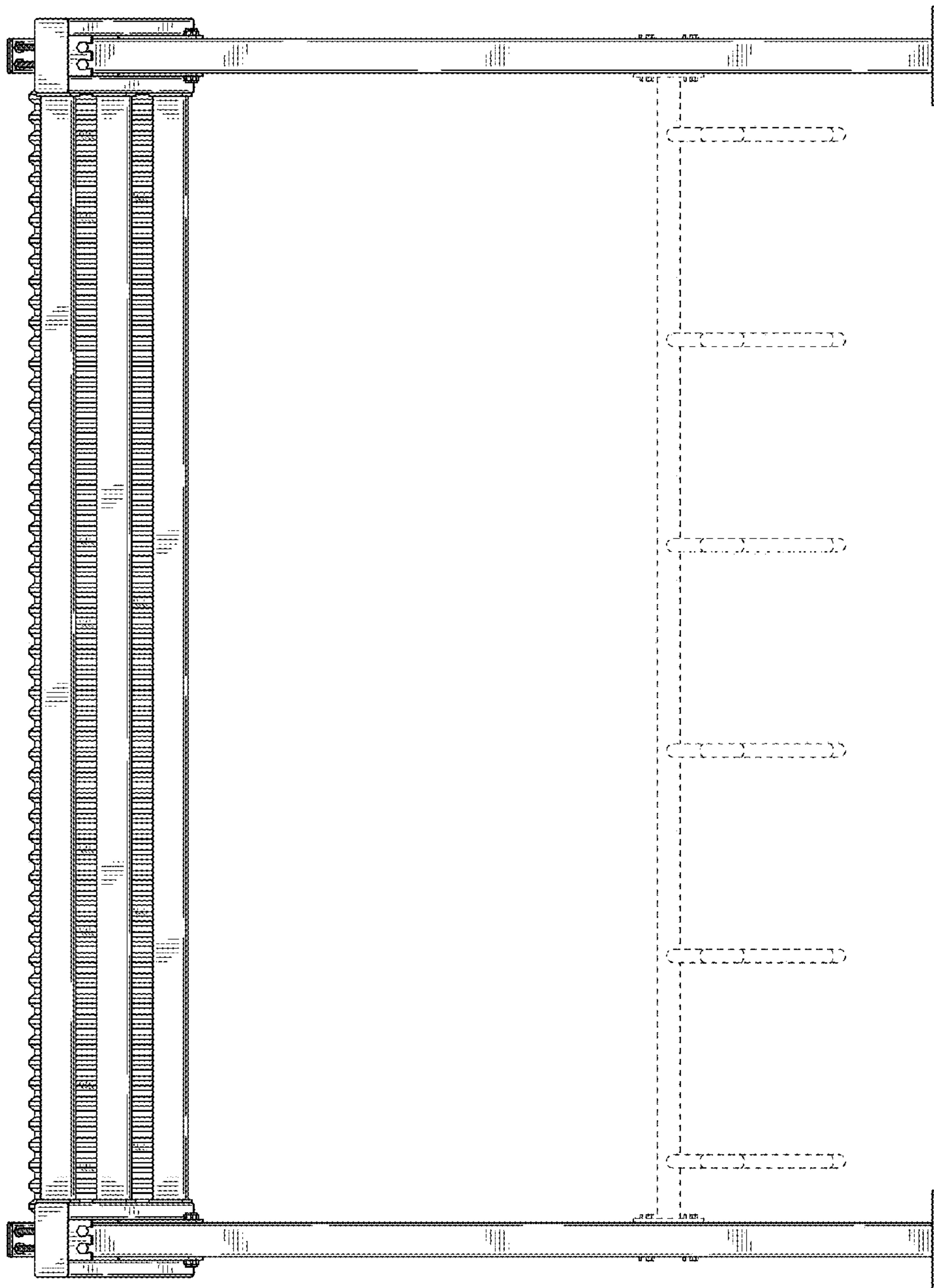


FIG. 10

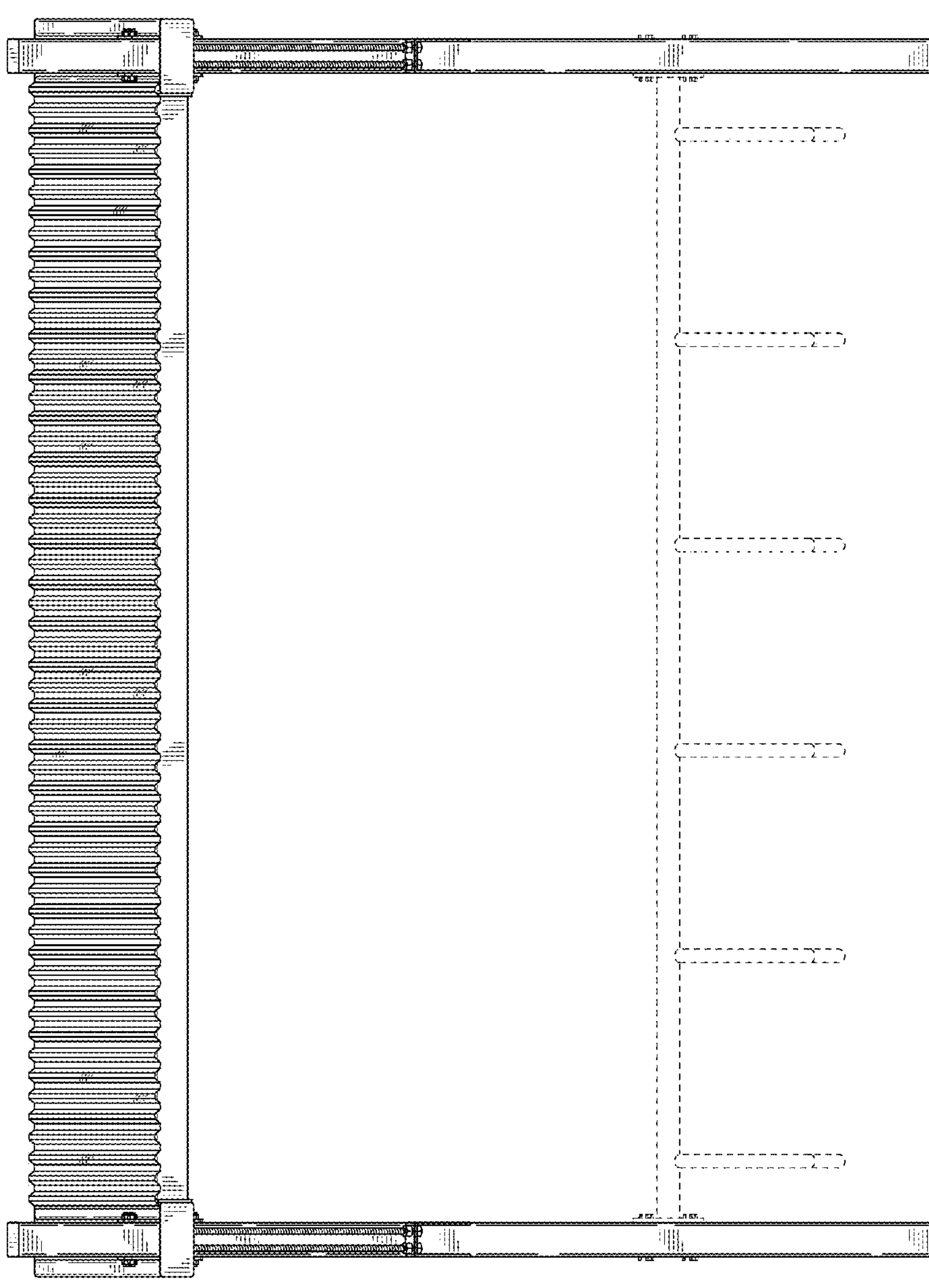


FIG. 11

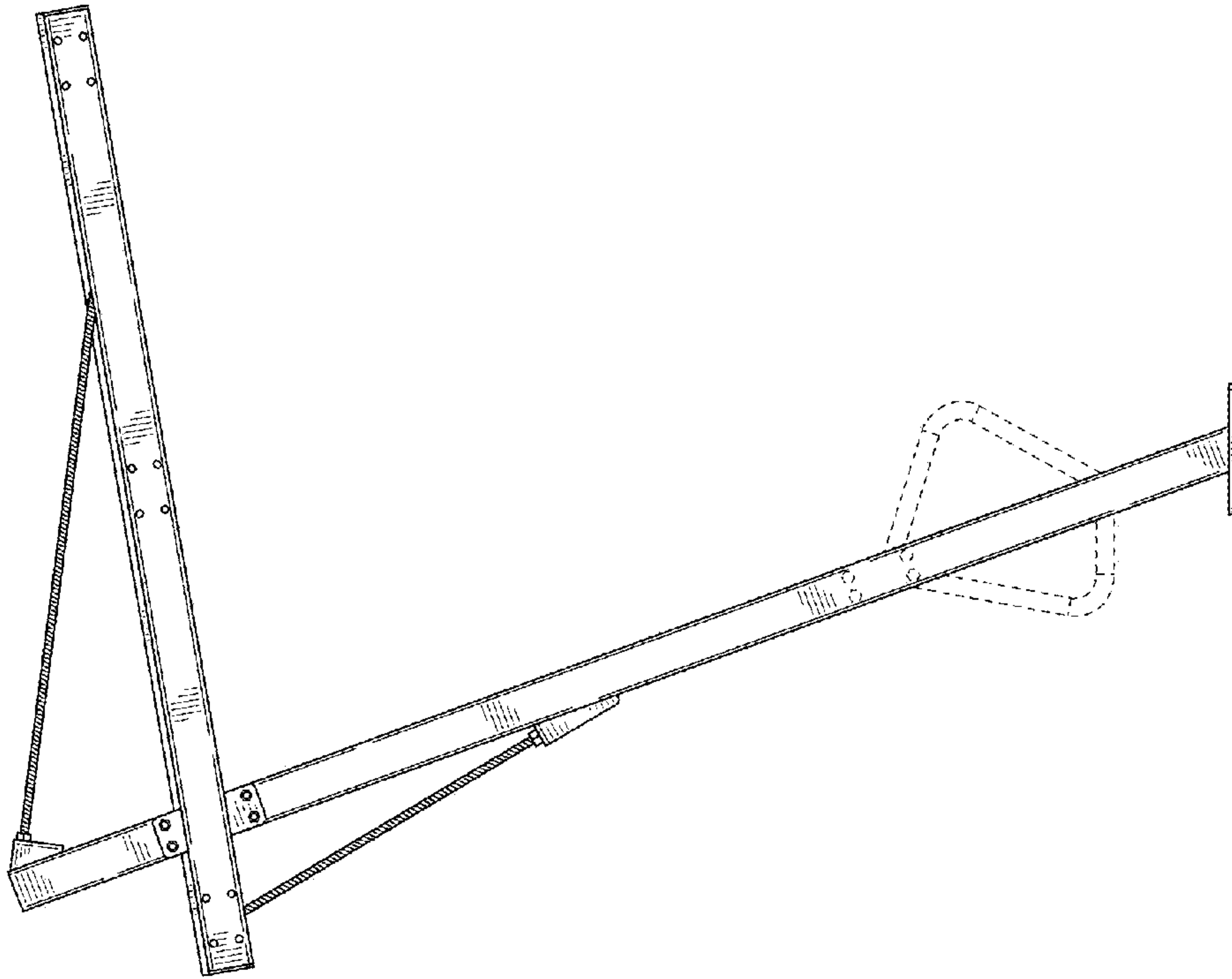


FIG. 13

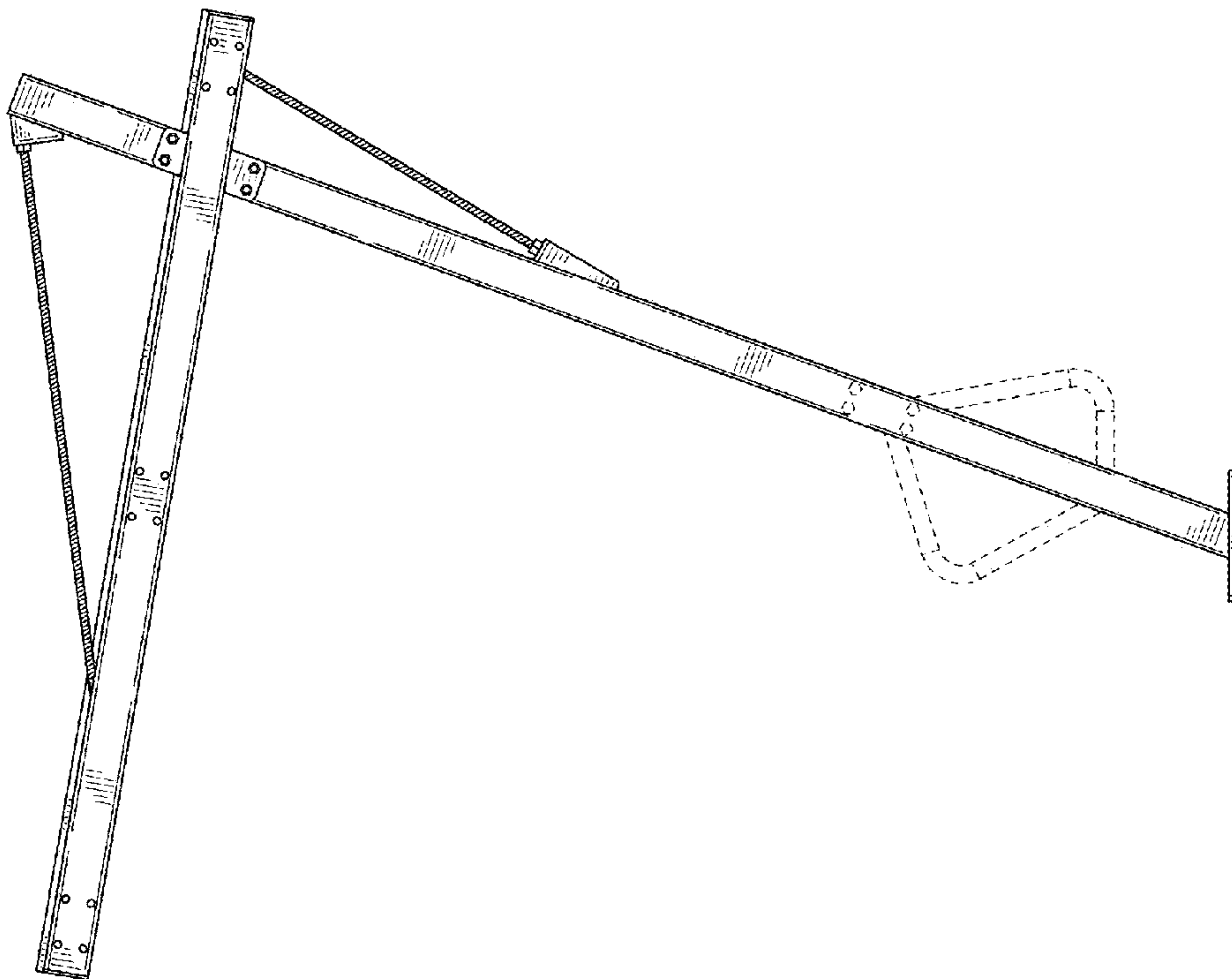


FIG. 12

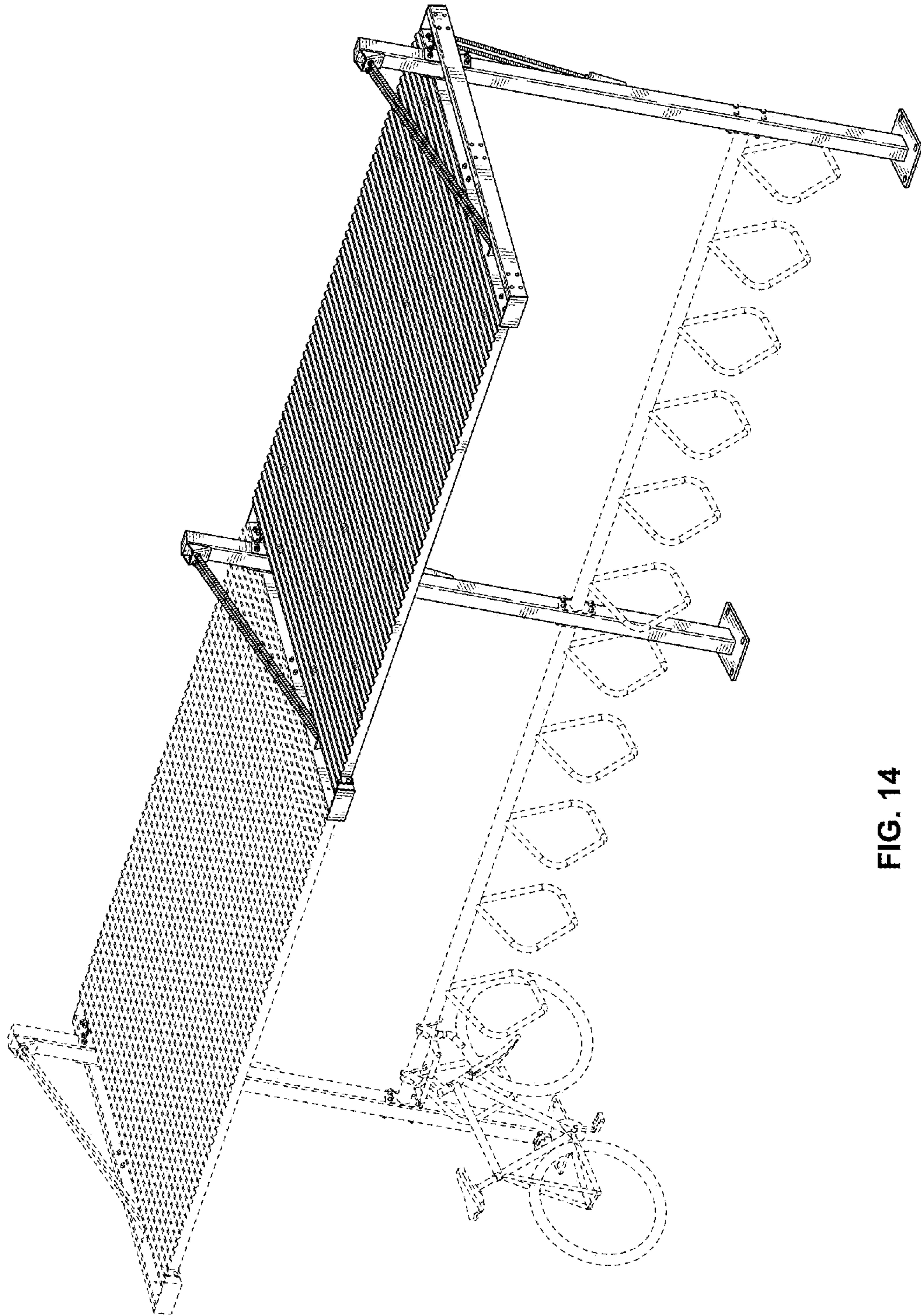


FIG. 14

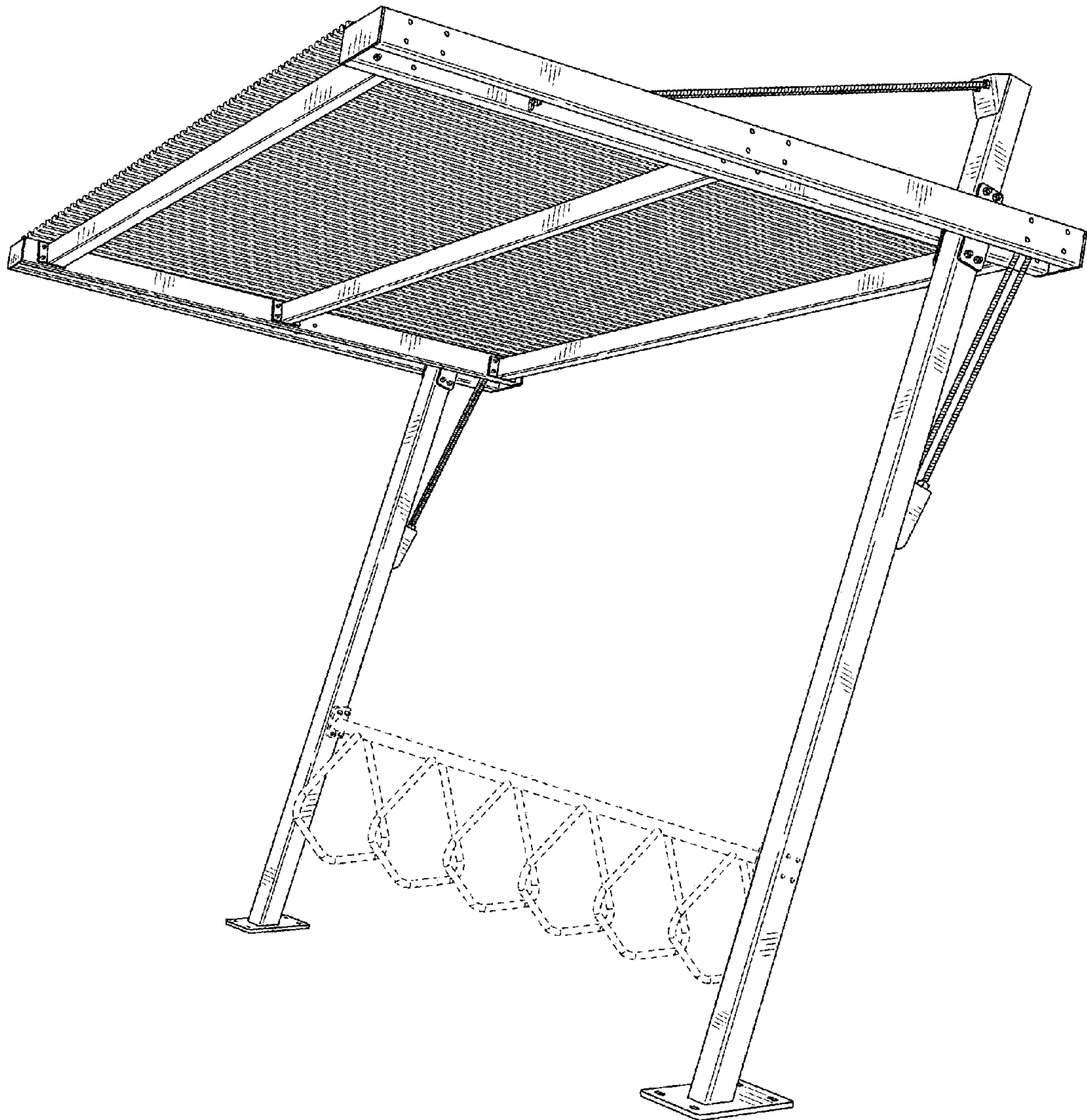


FIG. 15