



US00D748561S

(12) **United States Design Patent**
Canela

(10) **Patent No.:** **US D748,561 S**
(45) **Date of Patent:** **** Feb. 2, 2016**

(54) **BOAT TRANSOM PLATFORM**

(71) Applicant: **Ramon Canela**, Fort Lauderdale, FL
(US)

(72) Inventor: **Ramon Canela**, Fort Lauderdale, FL
(US)

(**) Term: **15 Years**

(21) Appl. No.: **29/539,702**

(22) Filed: **Sep. 16, 2015**

(51) **LOC (10) Cl.** **12-06**

(52) **U.S. Cl.**
USPC **D12/317**

(58) **Field of Classification Search**
USPC D12/203, 300–318
CPC B63B 29/00; B63B 27/00; B63B 27/14;
B63B 17/00
See application file for complete search history.

(56) **References Cited**

U.S. PATENT DOCUMENTS

4,548,155	A *	10/1985	Hegg	B63B 27/14
					114/362
D349,090	S *	7/1994	Wenstadt	D12/318
D445,394	S *	7/2001	Wesson	D12/317
6,475,048	B2	11/2002	Gredy		
6,805,066	B2	10/2004	Johnson		
7,302,902	B2	12/2007	Stillman		
7,837,526	B1	11/2010	Doffay		
7,867,049	B1	1/2011	Doffay		
8,702,461	B1	4/2014	d'Offay		
D726,634	S *	4/2015	Curts	D12/317
D726,635	S *	4/2015	Curts	D12/317

D742,804	S *	11/2015	Kim	D12/317
2006/0003646	A1	1/2006	Hendrickson		
2007/0006789	A1 *	1/2007	Davidson	B63B 17/00
					114/362

* cited by examiner

Primary Examiner — Cynthia M Chin

(74) *Attorney, Agent, or Firm* — David P. Lhota, Esq.; Lhota & Associates, P.A.

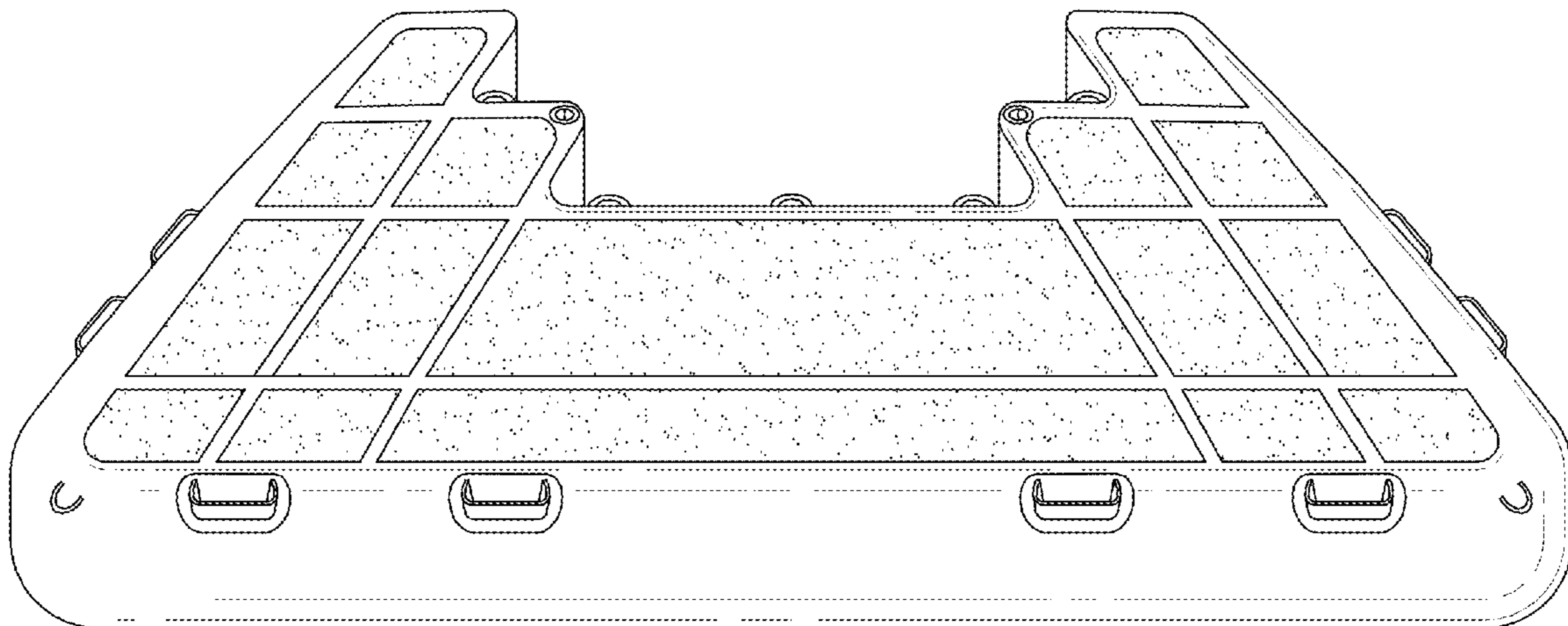
(57) **CLAIM**

The ornamental design for a boat transom platform, as shown and described.

DESCRIPTION

FIG. 1 is a front, top perspective view of the boat transom platform of the instant invention, showing the new design; FIG. 2 is a left side perspective view of the boat transom platform of the instant invention of FIG. 1, wherein the right side is a mirror image thereof; FIG. 3 is a plan view of the boat transom platform of the instant invention of FIG. 1; FIG. 4 is a bottom plan view of the boat transom platform of the instant invention of FIG. 1; FIG. 5 is a front elevational view of the boat transom platform of the instant invention of FIG. 1; FIG. 6 is a rear elevational view of the boat transom platform of the instant invention of FIG. 1; FIG. 7 is a left side elevational view of the boat transom platform of the instant invention of FIG. 1; and, FIG. 8 is a right side elevational view of the boat transom platform of the instant invention of FIG. 1.

1 Claim, 7 Drawing Sheets



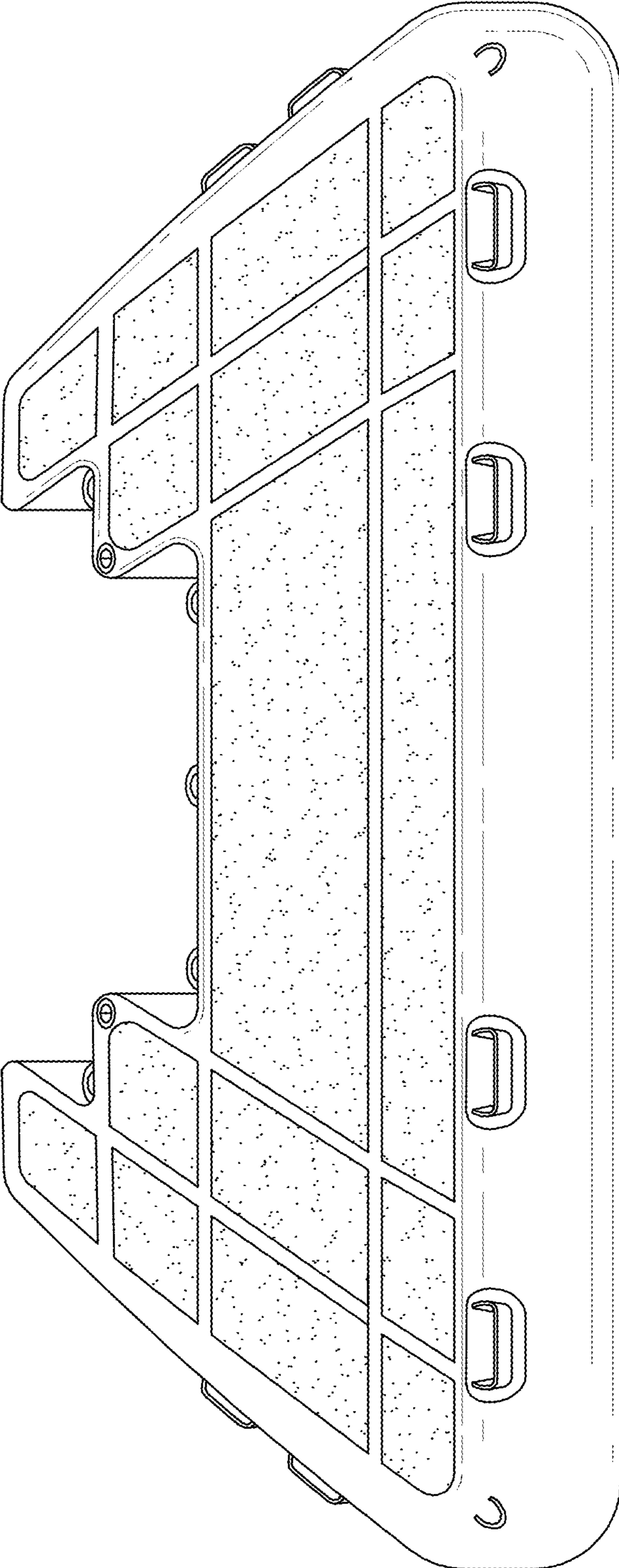


FIG. 1

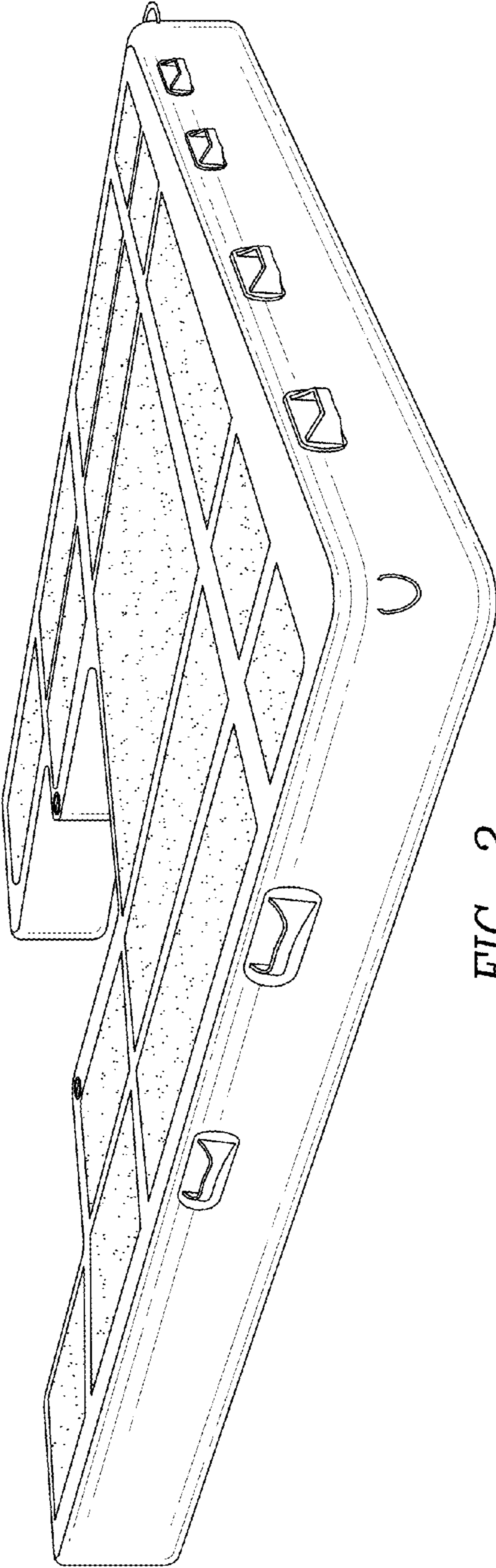


FIG. 2

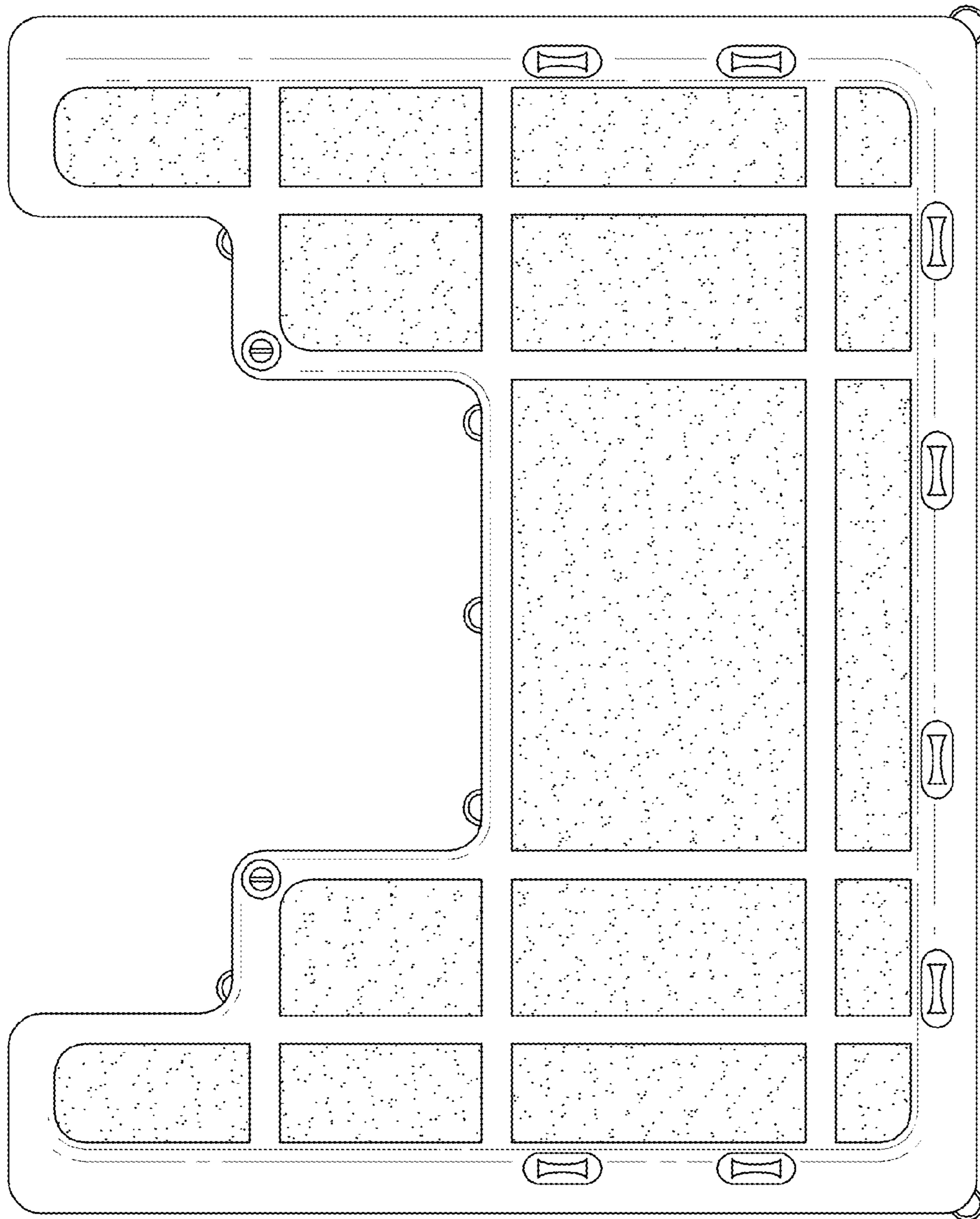


FIG. 3

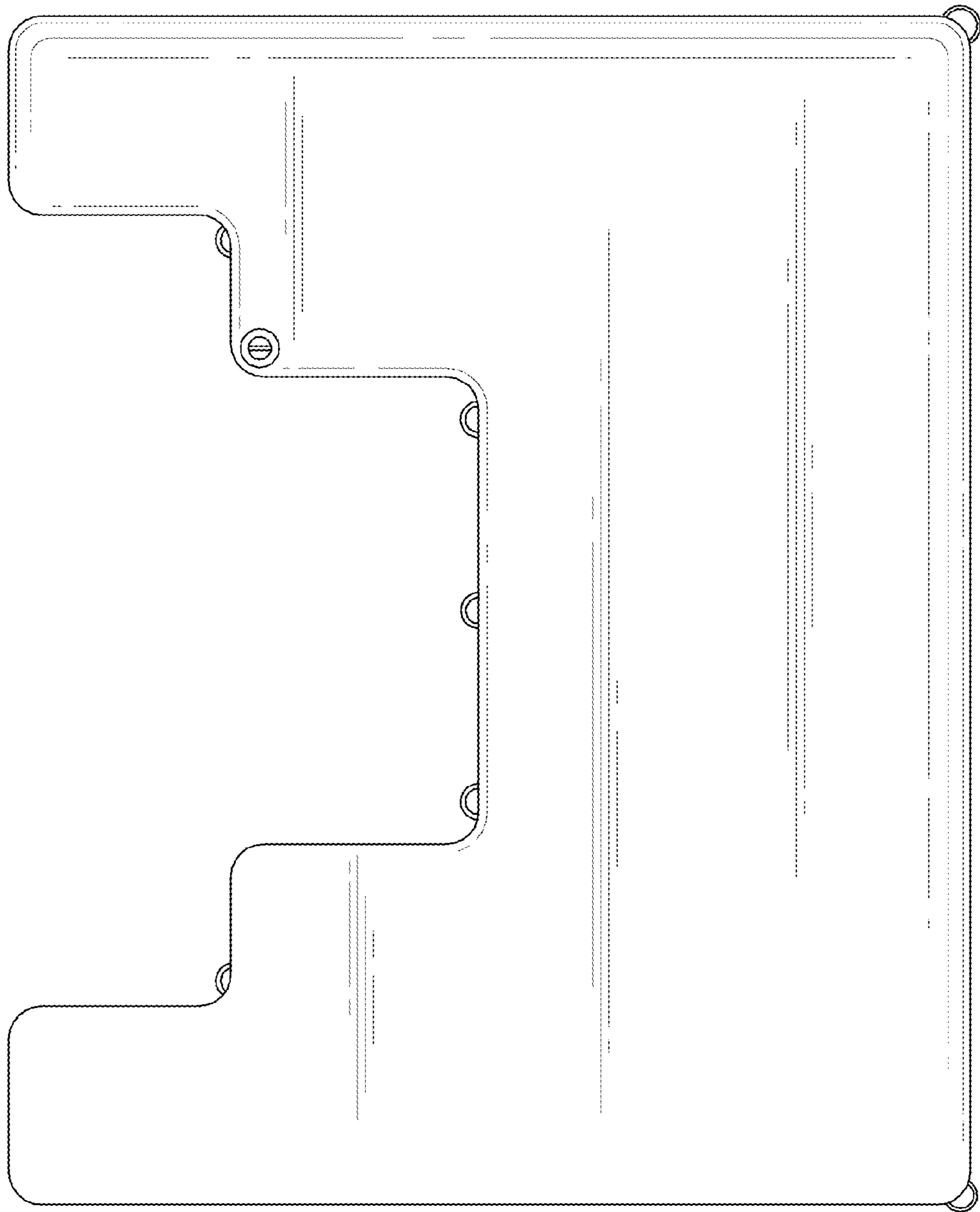


FIG. 4

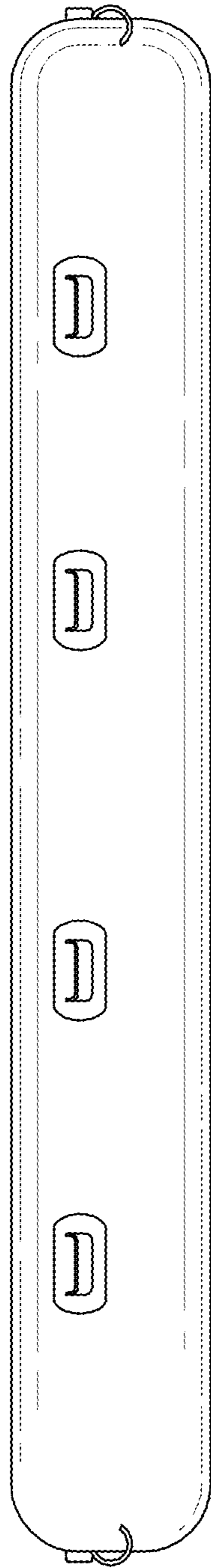


FIG. 5

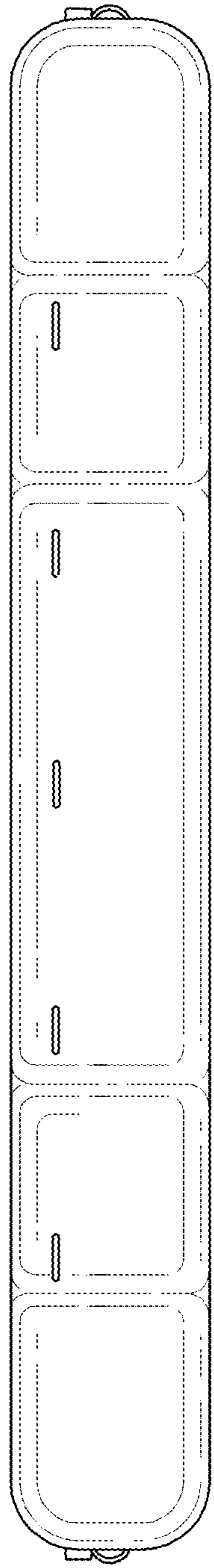


FIG. 6

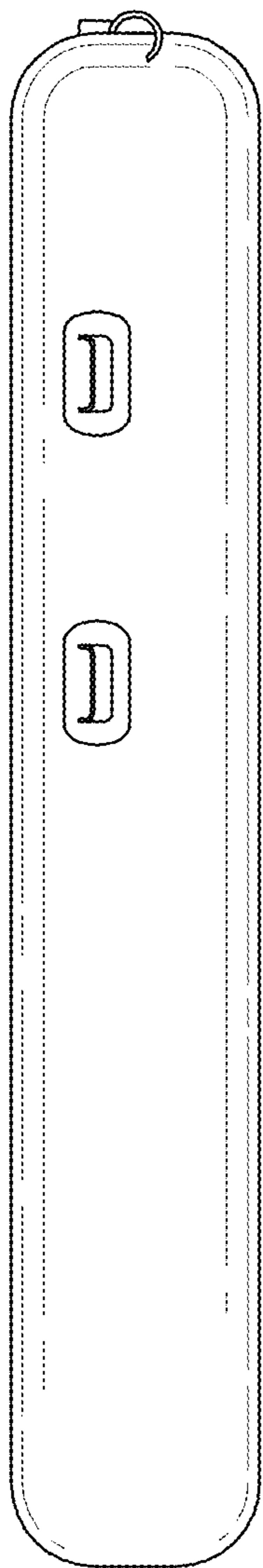


FIG. 7

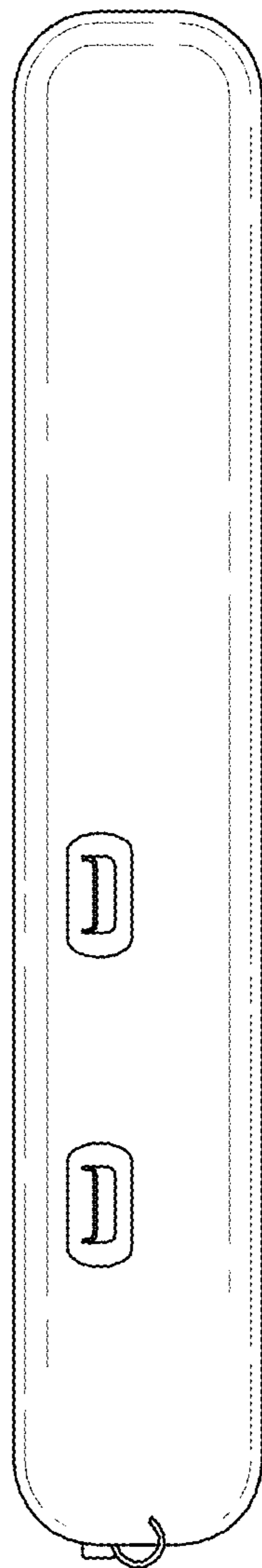


FIG. 8