



US00D748558S

(12) **United States Design Patent**  
**Hans et al.**

(10) **Patent No.:** **US D748,558 S**  
(45) **Date of Patent:** **\*\* Feb. 2, 2016**

(54) **WHEEL OR WHEEL COVER**

(71) Applicant: **Daimler AG**, Stuttgart (DE)

(72) Inventors: **Bernhard Hans**, Kirchberg (DE);  
**Volker Hellwig**, Stuttgart (DE)

(73) Assignee: **Daimler AG**, Stuttgart (DE)

(\*\*) Term: **14 Years**

(21) Appl. No.: **29/491,698**

(22) Filed: **May 23, 2014**

(30) **Foreign Application Priority Data**

Nov. 25, 2013 (EM) ..... 002351247-0006

(51) **LOC (10) Cl.** ..... **12-16**

(52) **U.S. Cl.**  
USPC ..... **D12/211**

(58) **Field of Classification Search**

USPC ..... D12/204-213

CPC ..... B60B 7/00; B60B 7/02; B60B 7/04;  
B60B 7/01; B60B 7/06; B60B 3/02; B60B  
3/04; B60B 3/06; B60B 3/10; B60B 1/00;  
B60B 1/08; B60B 1/10; B60B 1/12

See application file for complete search history.

(56) **References Cited**

U.S. PATENT DOCUMENTS

D485,524 S *	1/2004	Bhambra	.....	D12/209
D597,919 S *	8/2009	Atwell	.....	D12/211
D612,790 S *	3/2010	Tant	.....	D12/211
D620,862 S *	8/2010	Pollmann	.....	D12/209
D639,714 S *	6/2011	Baum	.....	D12/209
D645,390 S *	9/2011	De Bono	.....	D12/209
D689,809 S *	9/2013	Kim	.....	D12/209
D702,614 S *	4/2014	Lemke	.....	D12/211
D710,780 S *	8/2014	Borkert	.....	D12/211
D721,028 S *	1/2015	Lemke	.....	D12/211
D726,091 S *	4/2015	Mays	.....	D12/211
D727,235 S *	4/2015	Hans	.....	D12/211

\* cited by examiner

*Primary Examiner* — Stacia Cadmus

(74) *Attorney, Agent, or Firm* — Crowell & Moring LLP

(57) **CLAIM**

The ornamental design for a wheel or wheel cover, as shown and described.

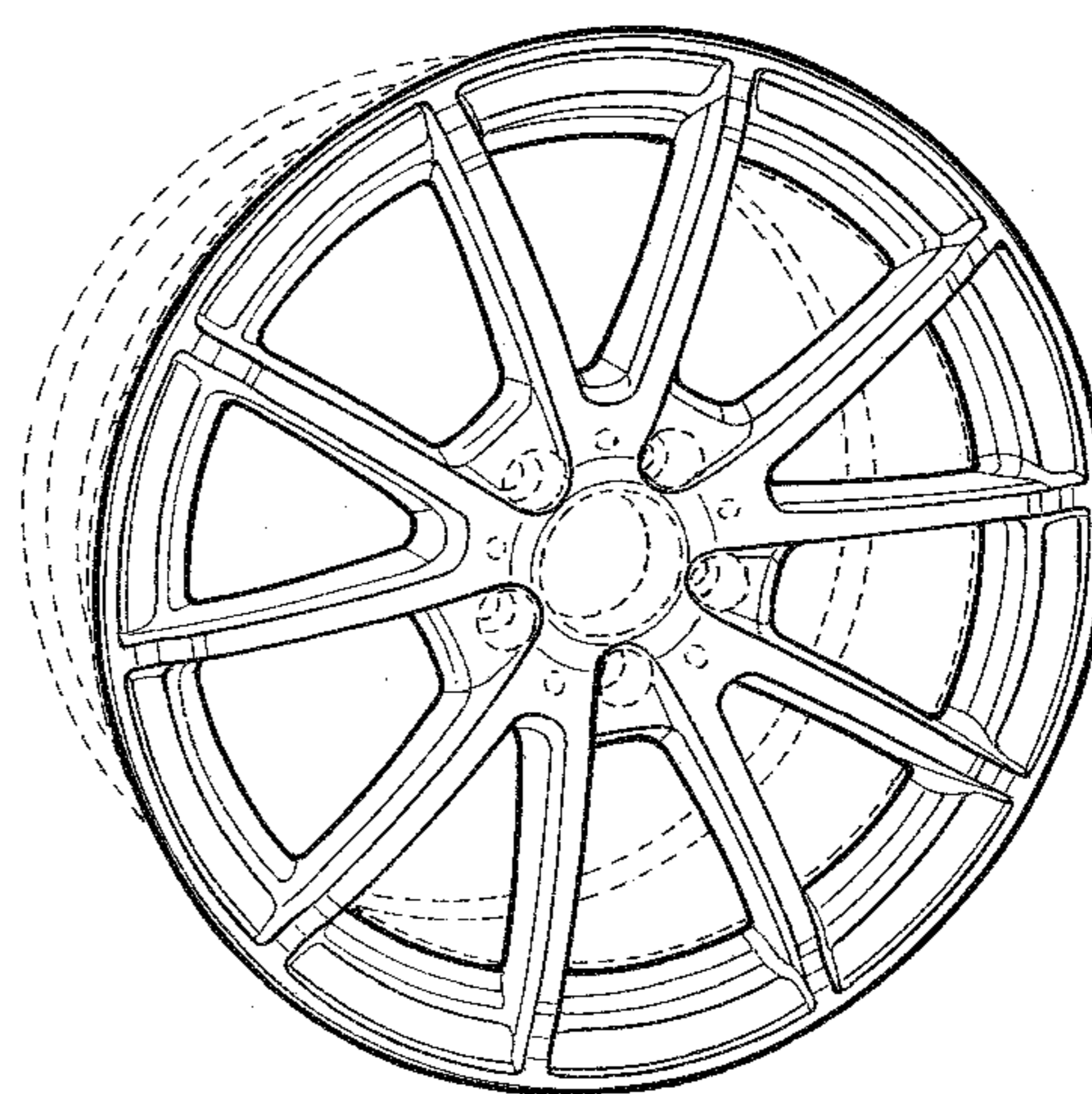
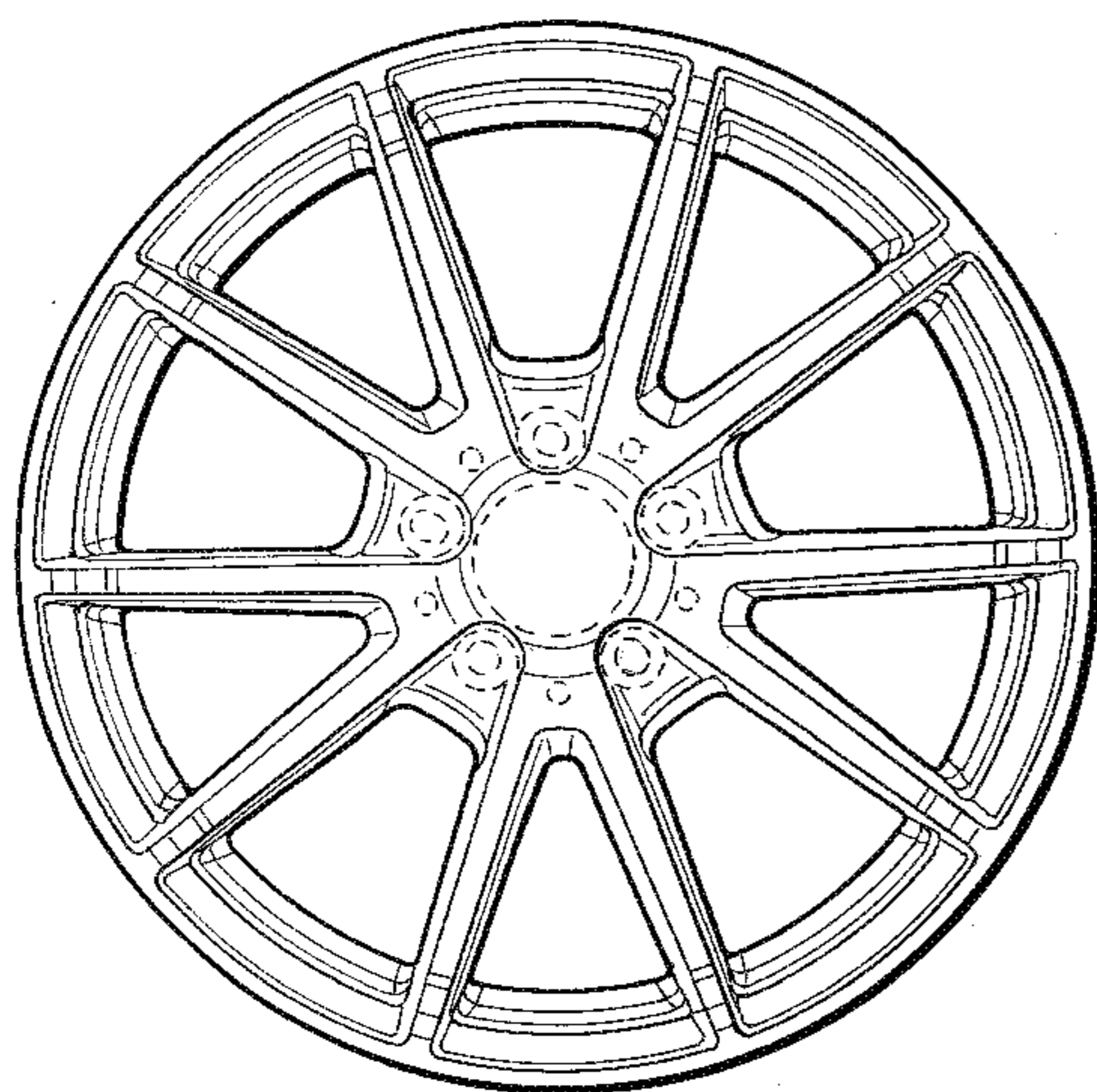
**DESCRIPTION**

FIG. 1 is a front view of a wheel or wheel cover according to the design; and,

FIG. 2 is a perspective view thereof.

The broken line showing of the rear of the wheel, the bolt holes and the center hole in the central hub area is included for the purpose of illustrating environment and forms no part of the claimed design.

**1 Claim, 1 Drawing Sheet**



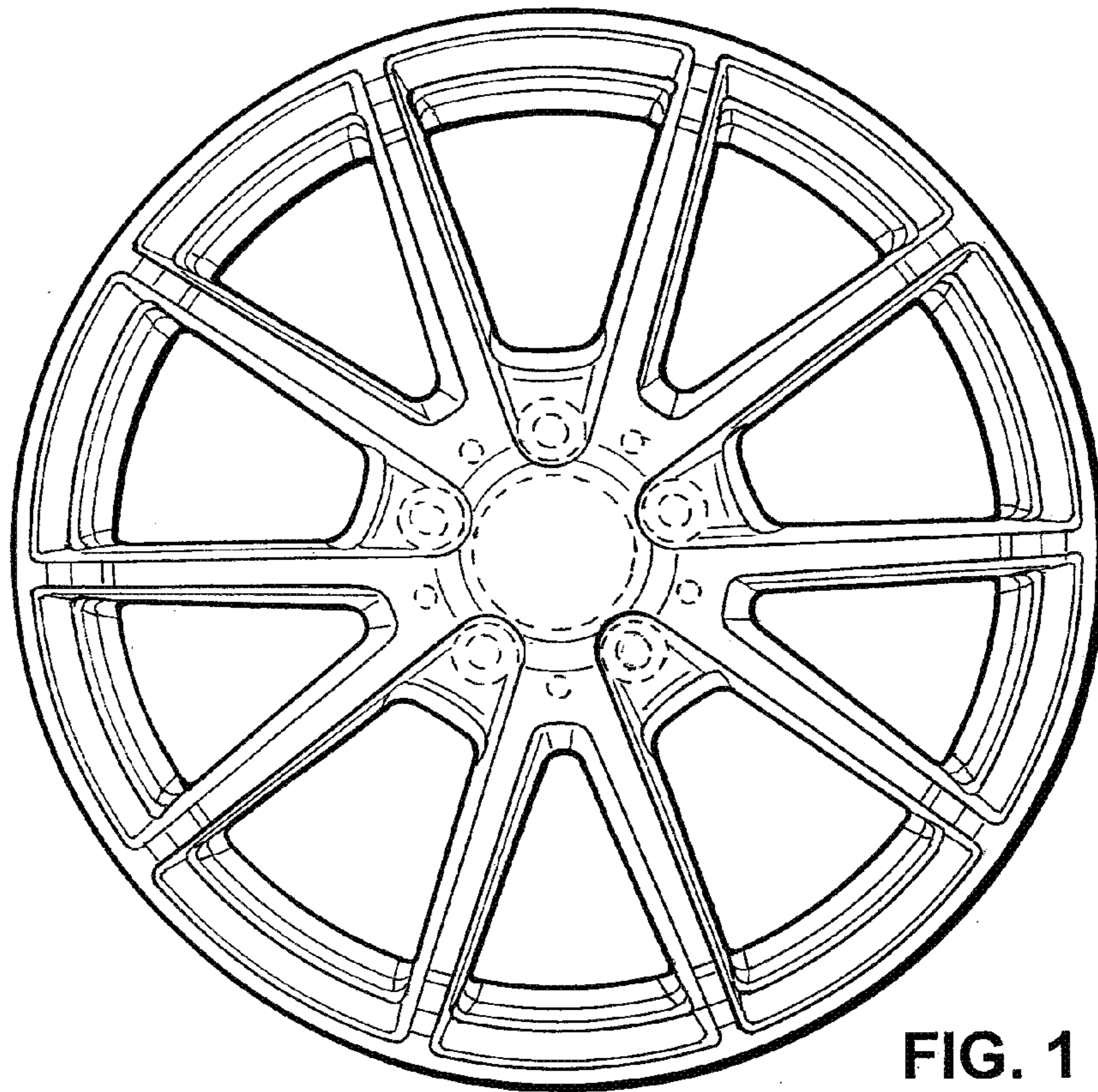


FIG. 1

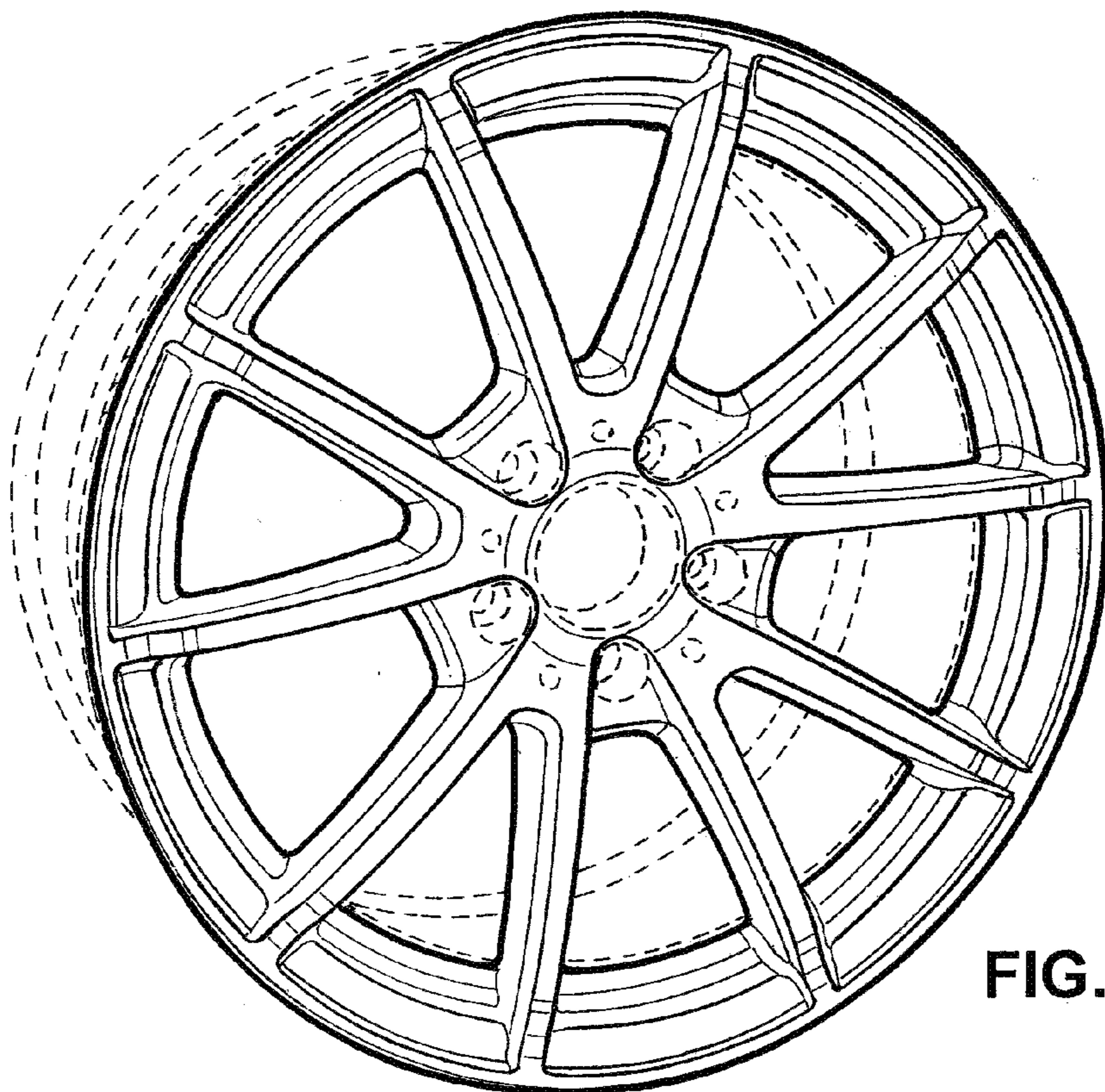


FIG. 2