



US00D748556S

(12) **United States Design Patent**
Valencia Pollex

(10) **Patent No.:** **US D748,556 S**
(45) **Date of Patent:** **** Feb. 2, 2016**

(54) **VEHICLE WHEEL RIM**

(71) Applicant: **AUDI AG**, Ingolstadt (DE)

(72) Inventor: **Andreas Valencia Pollex**, Ingolstadt (DE)

(73) Assignee: **AUDI AG**, Ingolstadt (DE)

(**) Term: **14 Years**

(21) Appl. No.: **29/526,576**

(22) Filed: **May 11, 2015**

(30) **Foreign Application Priority Data**

Nov. 10, 2014 (EM) 002575316-0002

(51) **LOC (10) Cl.** **12-16**

(52) **U.S. Cl.**
USPC **D12/209**

(58) **Field of Classification Search**
USPC D12/204-213
CPC B60B 7/00; B60B 7/02; B60B 7/04;
B60B 7/01; B60B 7/06; B60B 3/02; B60B
3/04; B60B 3/06; B60B 3/10; B60B 1/00;
B60B 1/08; B60B 1/10; B60B 1/12
See application file for complete search history.

(56) **References Cited**

U.S. PATENT DOCUMENTS

D409,546 S * 5/1999 Stark D12/209
D428,377 S * 7/2000 Kubosaki et al. D12/209

D499,058 S * 11/2004 Iwauchi et al. D12/209
D504,096 S * 4/2005 Nakagawa et al. D12/209
D589,863 S * 4/2009 Huet D12/209
D595,201 S * 6/2009 Antoniadis et al. D12/211
D619,524 S * 7/2010 Gabath D12/209
D626,905 S * 11/2010 Camacho D12/209
D631,812 S * 2/2011 Juergens et al. D12/209
D648,255 S * 11/2011 Scheinhutte D12/209
D663,248 S * 7/2012 Kogawa D12/209
D664,489 S * 7/2012 Slorance D12/209
D671,478 S * 11/2012 Baum et al. D12/209
D671,877 S * 12/2012 Roura D12/209
D673,097 S * 12/2012 Lemke D12/209
D682,176 S * 5/2013 Badstuebner D12/209
D684,516 S * 6/2013 Bennion D12/209
D685,710 S * 7/2013 Hanaoka D12/209
D695,191 S * 12/2013 Kogawa D12/209
D705,714 S * 5/2014 Hanaoka D12/209
D734,235 S * 7/2015 Juergens et al. D12/209

* cited by examiner

Primary Examiner — Stacia Cadmus

(74) *Attorney, Agent, or Firm* — Lucas & Mercanti, LLP;
Klaus P. Stoffel

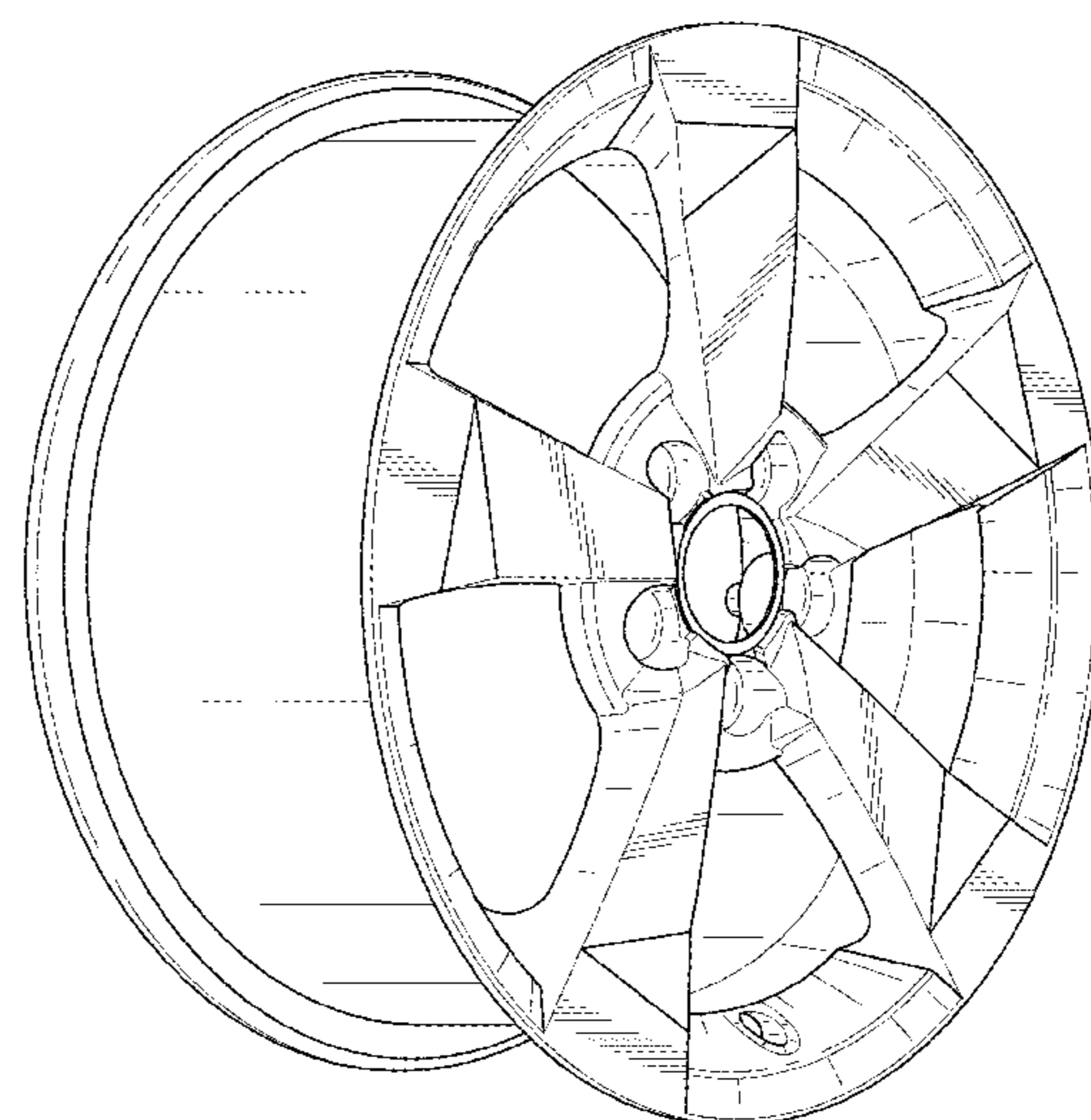
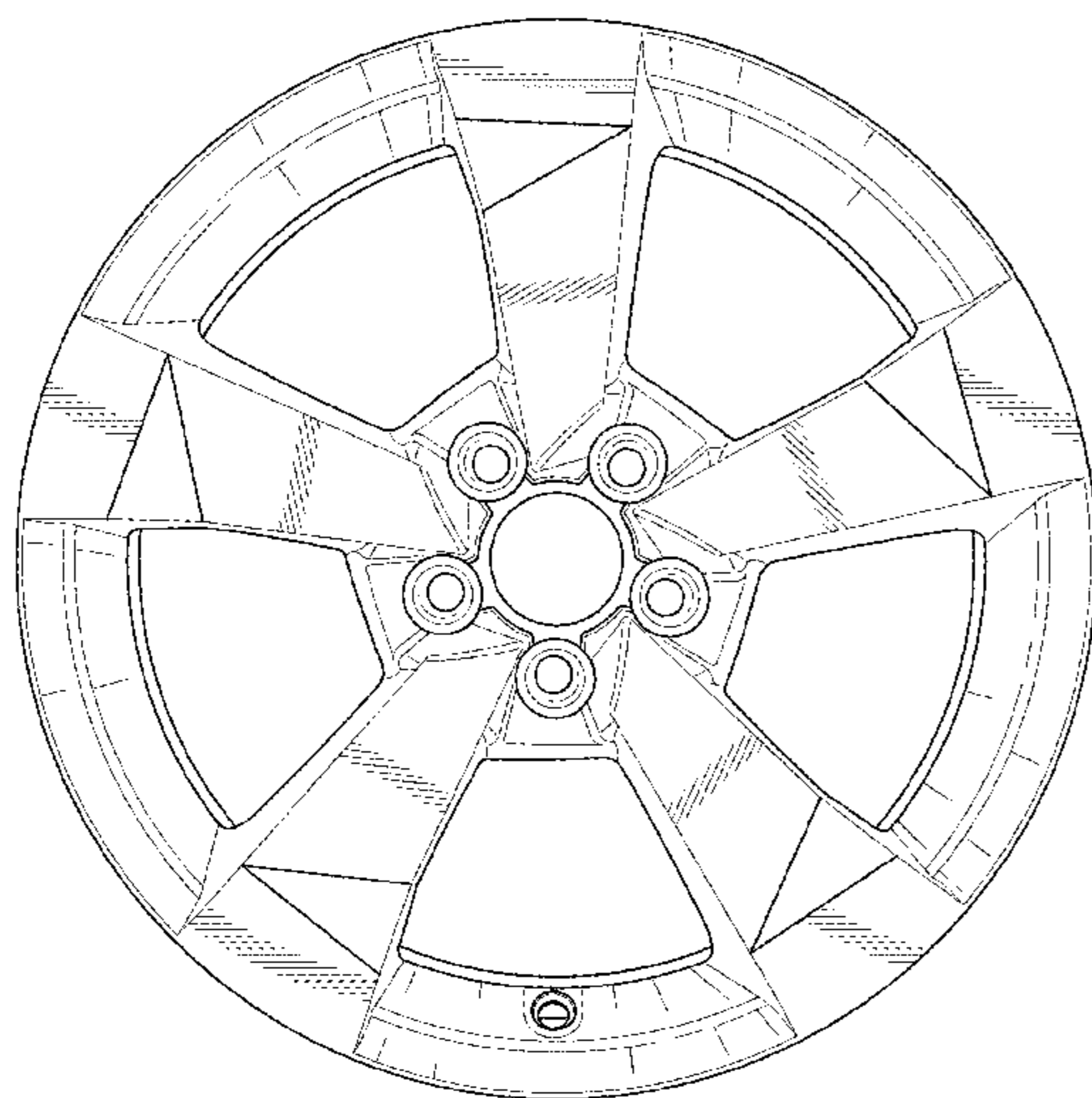
(57) **CLAIM**

The ornamental design for a vehicle wheel rim, as shown and described.

DESCRIPTION

FIG. 1 is a front view of the vehicle wheel rim of the present invention; and,
FIG. 2 is a front, side perspective view thereof.

1 Claim, 2 Drawing Sheets



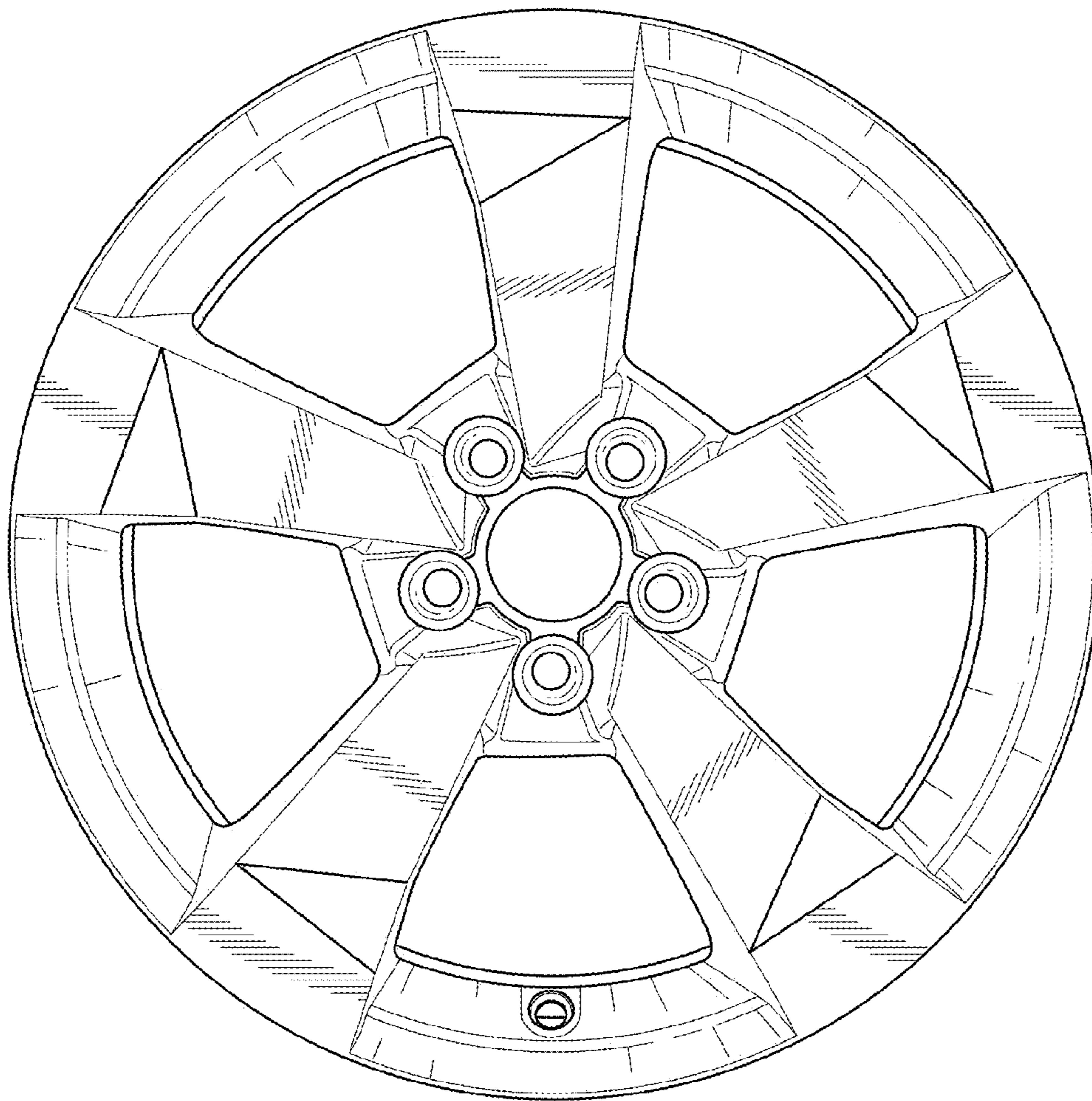


FIG. 1

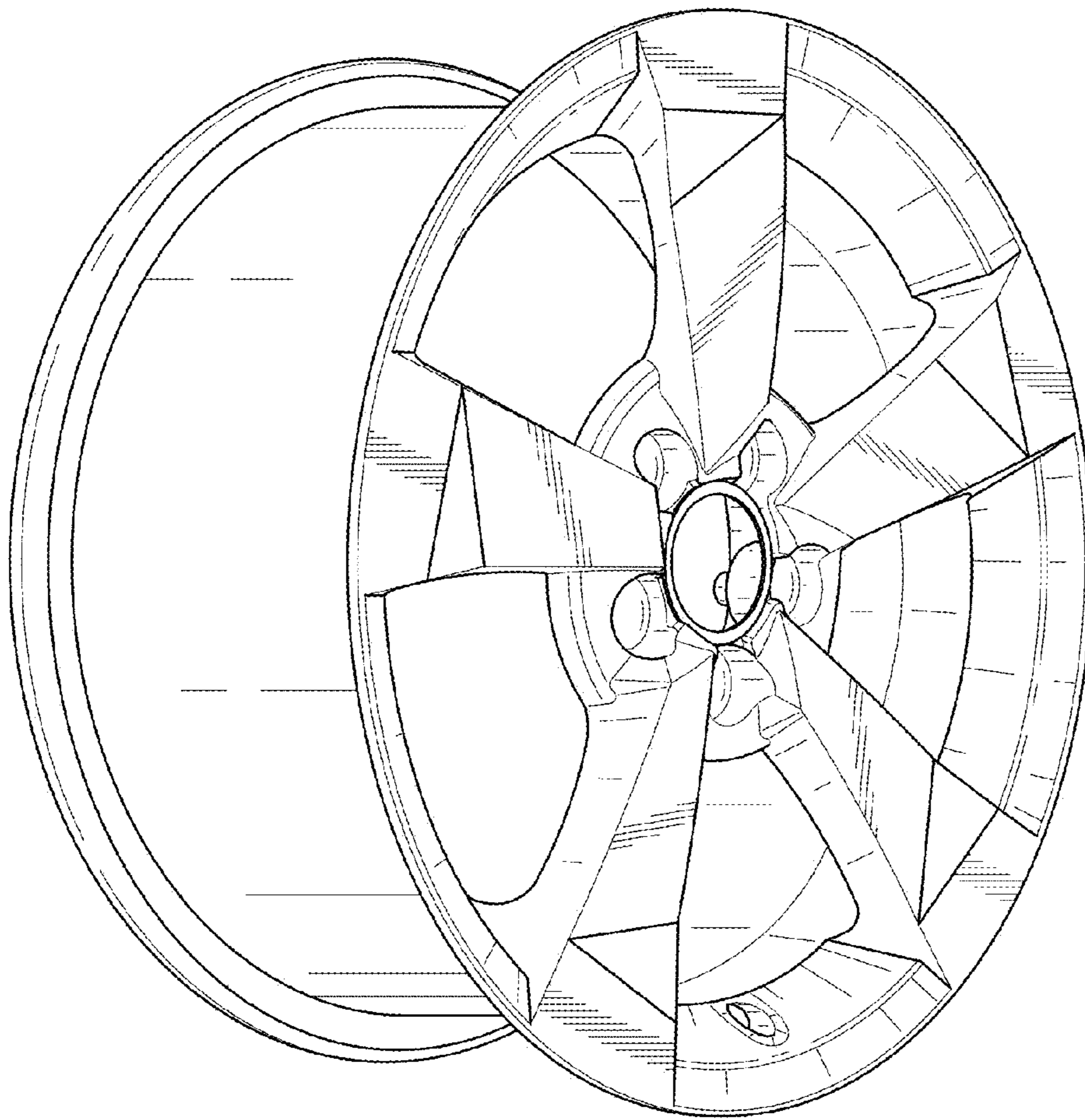


FIG. 2