



US00D748555S

(12) **United States Design Patent**
Hale

(10) **Patent No.:** **US D748,555 S**
(45) **Date of Patent:** **** Feb. 2, 2016**

(54) **SPOKE SEGMENT OF A VEHICLE WHEEL**

(71) Applicant: **MOBILE HI-TECH WHEELS,**
Rancho Dominguez, CA (US)

(72) Inventor: **John Andrew Hale,** Long Beach, CA
(US)

(73) Assignee: **Mobile Hi-Tech Wheels,** Rancho
Dominguez, CA (US)

(**) Term: **14 Years**

(21) Appl. No.: **29/522,220**

(22) Filed: **Mar. 27, 2015**

(51) **LOC (10) Cl.** **12-16**

(52) **U.S. Cl.**
USPC **D12/209**

(58) **Field of Classification Search**
USPC D12/204–213
CPC B60B 7/00; B60B 7/02; B60B 7/04;
B60B 7/01; B60B 7/06; B60B 3/02; B60B
3/04; B60B 3/06; B60B 3/10; B60B 1/00;
B60B 1/08; B60B 1/10; B60B 1/12
See application file for complete search history.

(56) **References Cited**

U.S. PATENT DOCUMENTS

D498,194 S	*	11/2004	Aquino	D12/209
D524,710 S	*	7/2006	Long	D12/209
D531,564 S	*	11/2006	Martin	D12/209
D542,206 S	*	5/2007	Evans	D12/209
D576,536 S	*	9/2008	Aroney	D12/209
D622,197 S	*	8/2010	Zhao	D12/209
D669,007 S	*	10/2012	Starr, Jr.	D12/209

D671,475 S	*	11/2012	Juergens et al.	D12/209
D671,479 S	*	11/2012	Gonser	D12/209
D682,760 S	*	5/2013	Fetherston et al.	D12/209
D682,761 S	*	5/2013	Pollmann	D12/209
D683,681 S	*	6/2013	Juergens et al.	D12/209
D684,913 S	*	6/2013	Chen et al.	D12/209
D685,710 S	*	7/2013	Hanaoka	D12/209
D697,858 S	*	1/2014	Kito	D12/209
D700,668 S	*	3/2014	Flick et al.	D12/209
D707,166 S	*	6/2014	Wheel	D12/209
D709,427 S	*	7/2014	Clottu	D12/209
D712,814 S	*	9/2014	Starr, Jr.	D12/209
D719,891 S	*	12/2014	Johnson	D12/209
D734,235 S	*	7/2015	Juergens et al.	D12/209

* cited by examiner

Primary Examiner — Stacia Cadmus

(74) *Attorney, Agent, or Firm* — Christie, Parker & Hale, LLP

(57) **CLAIM**

The ornamental design for spoke segment of a vehicle wheel, as shown and described.

DESCRIPTION

FIG. 1 is a perspective view of a spoke segment of a vehicle wheel according to my new design; and, FIG. 2 is a front elevational view thereof. The broken lines showing the round elements on the lip of the rim the central hub area, the lip of the rim and the back of the rim are included for the purpose of illustrating environment and form no part of the claimed design. The dash dot lines on either side of the spoke segment are for the purpose of illustrating the boundary of the claimed design and form no part thereof.

1 Claim, 2 Drawing Sheets

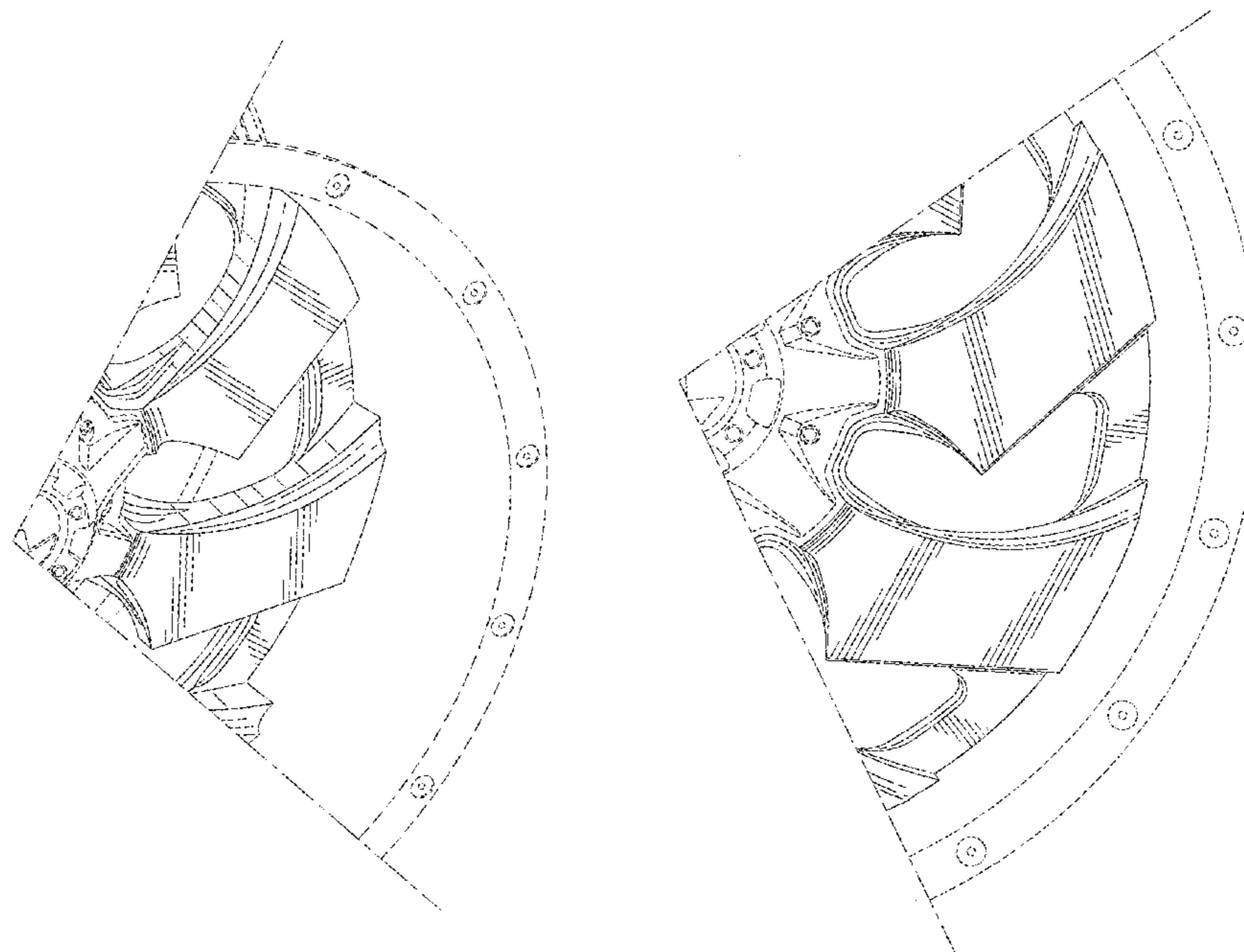


FIG. 1

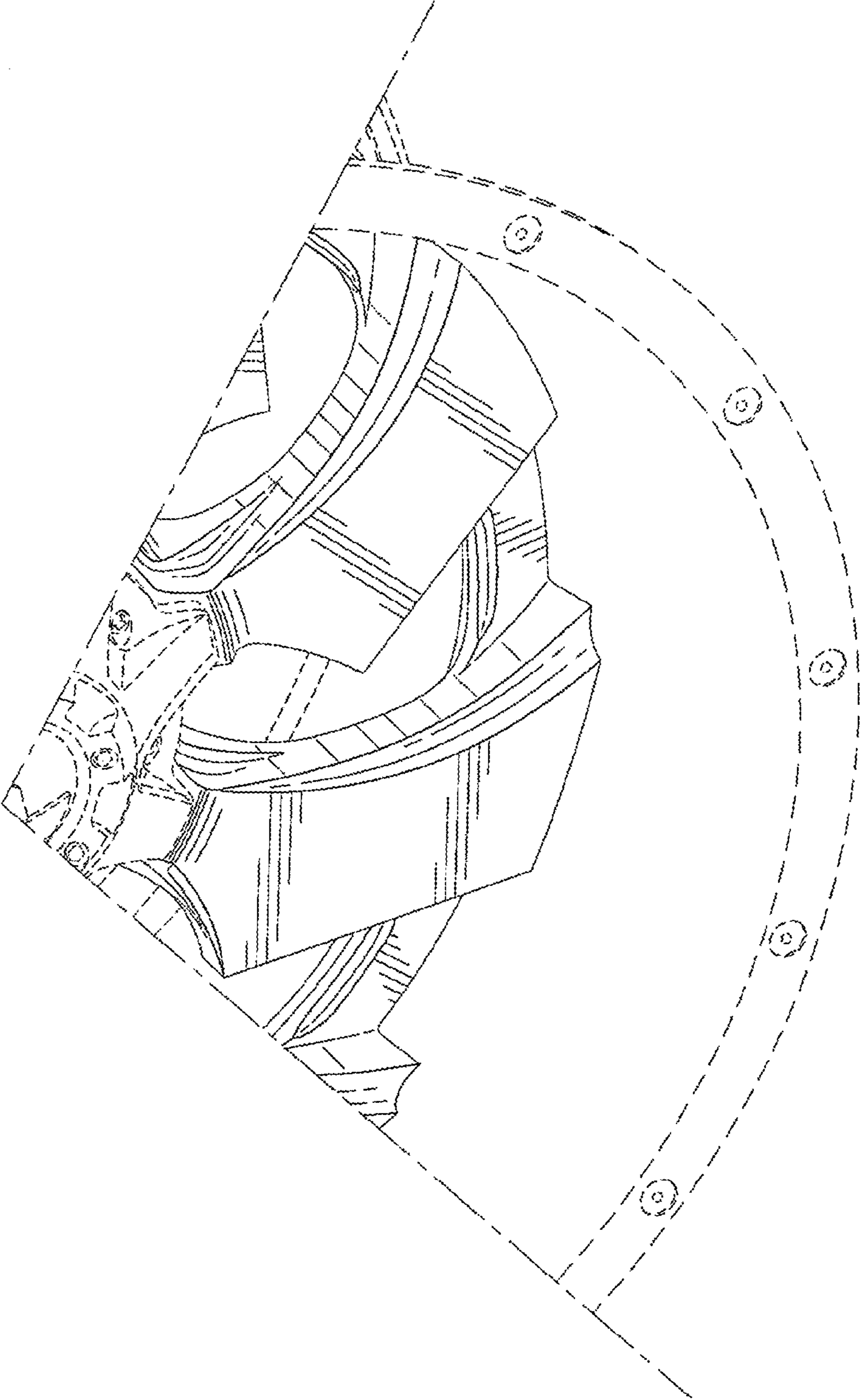
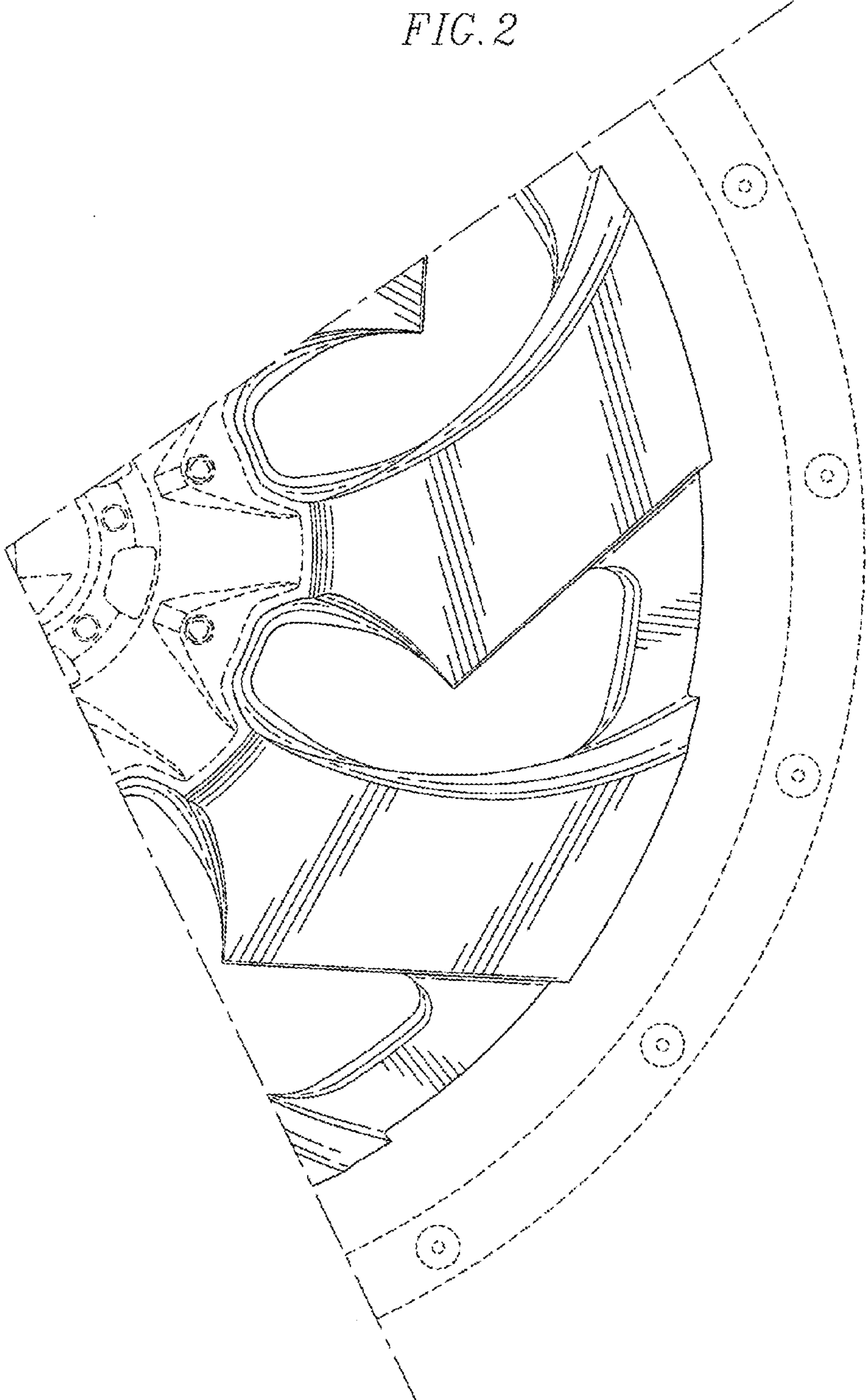


FIG. 2



UNITED STATES PATENT AND TRADEMARK OFFICE
CERTIFICATE OF CORRECTION

PATENT NO. : D748,555 S
APPLICATION NO. : 29/522220
DATED : February 2, 2016
INVENTOR(S) : John Andrew Hale

Page 1 of 1

It is certified that error appears in the above-identified patent and that said Letters Patent is hereby corrected as shown below:

On the Title Page

(57) Delete "rim the central hub",
DESCRIPTION,
Line 5 Insert --rim, the central hub--

Signed and Sealed this
Twenty-seventh Day of June, 2017



Joseph Matal
*Performing the Functions and Duties of the
Under Secretary of Commerce for Intellectual Property and
Director of the United States Patent and Trademark Office*