



US00D748553S

(12) **United States Design Patent**
Miyazawa

(10) **Patent No.:** **US D748,553 S**
(45) **Date of Patent:** **** Feb. 2, 2016**

(54) **WHEEL FOR AN AUTOMOBILE**

(71) Applicant: **HONDA MOTOR CO., LTD.**, Tokyo
(JP)

(72) Inventor: **Takuya Miyazawa**, Wako (JP)

(73) Assignee: **HONDA MOTOR CO., LTD.**, Tokyo
(JP)

(**) Term: **14 Years**

(21) Appl. No.: **29/511,722**

(22) Filed: **Dec. 12, 2014**

(30) **Foreign Application Priority Data**

Jun. 13, 2014 (JP) 2014-012858

(51) **LOC (10) Cl.** **12-16**

(52) **U.S. Cl.**
USPC **D12/209**

(58) **Field of Classification Search**

USPC D12/204–213

CPC B60B 7/00; B60B 7/02; B60B 7/04;
B60B 7/01; B60B 7/06; B60B 3/02; B60B
3/04; B60B 3/06; B60B 3/10; B60B 1/00;
B60B 1/08; B60B 1/10; B60B 1/12

See application file for complete search history.

(56) **References Cited**

U.S. PATENT DOCUMENTS

D435,004 S	*	12/2000	Noriega	D12/209
D669,833 S	*	10/2012	Pollmann	D12/209
D671,475 S	*	11/2012	Juergens	D12/209
D682,761 S	*	5/2013	Pollmann	D12/209
D683,681 S	*	6/2013	Juergens	D12/209
D685,709 S	*	7/2013	Hanaoka	D12/209
D694,694 S	*	12/2013	Wheel	D12/209
D695,187 S	*	12/2013	Mielke	D12/209
D697,005 S	*	1/2014	Juergens	D12/209
D709,427 S	*	7/2014	Clottu	D12/209
D710,286 S	*	8/2014	Yamaguchi	D12/209
D726,086 S	*	4/2015	Muntada Roura	D12/209

* cited by examiner

Primary Examiner — Stacia Cadmus

(74) *Attorney, Agent, or Firm* — Westerman, Hattori,
Daniels & Adrian, LLP

(57) **CLAIM**

The ornamental design of a wheel for an automobile, as shown and described.

DESCRIPTION

FIG. 1 is a perspective view of a wheel for an automobile showing my new design; and,

FIG. 2 is a front elevation view thereof.

The de-emphasized and halftone portions shown in the drawings illustrate environmental structure of a wheel for an automobile that form no part of claimed design.

1 Claim, 2 Drawing Sheets

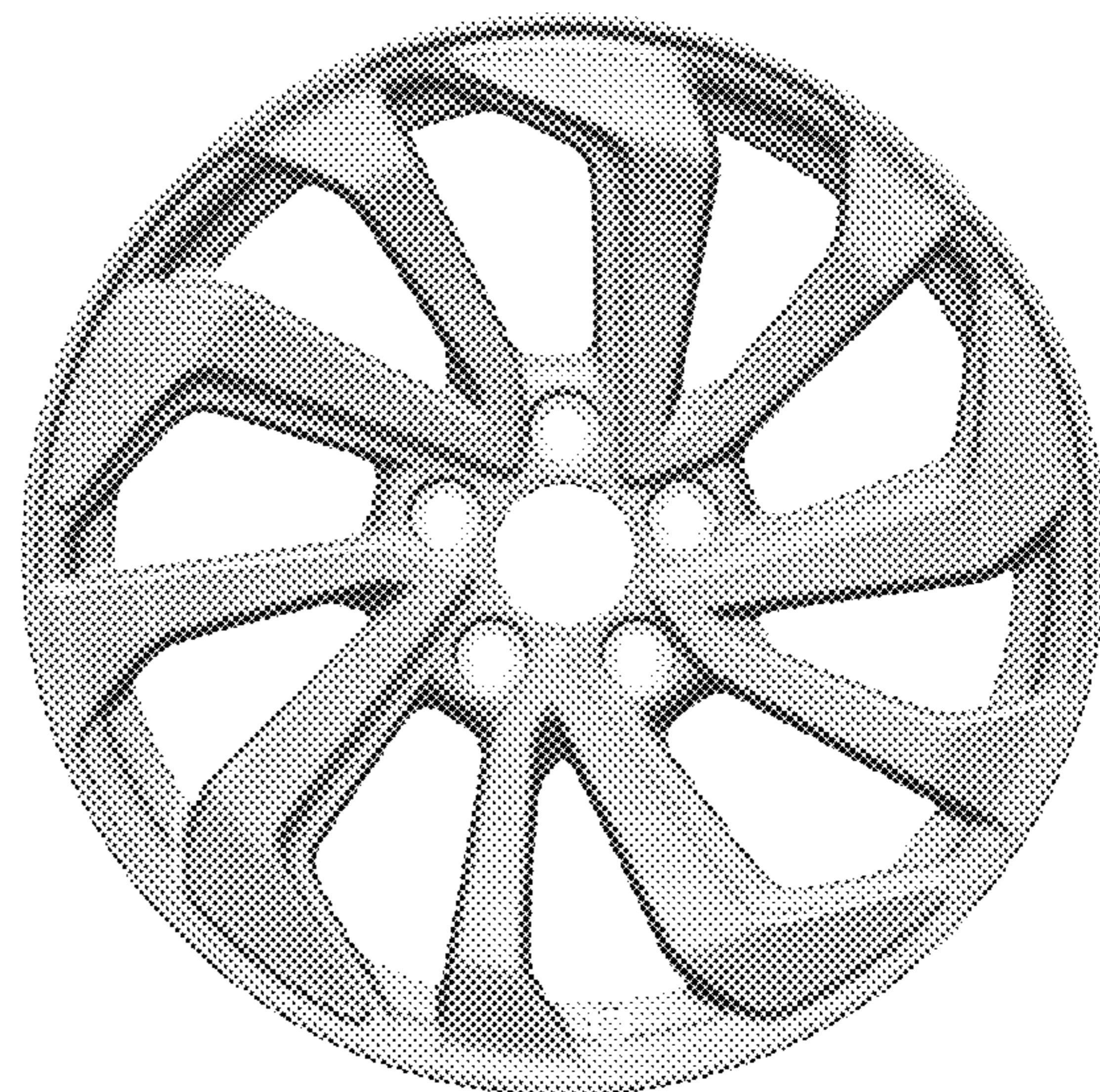
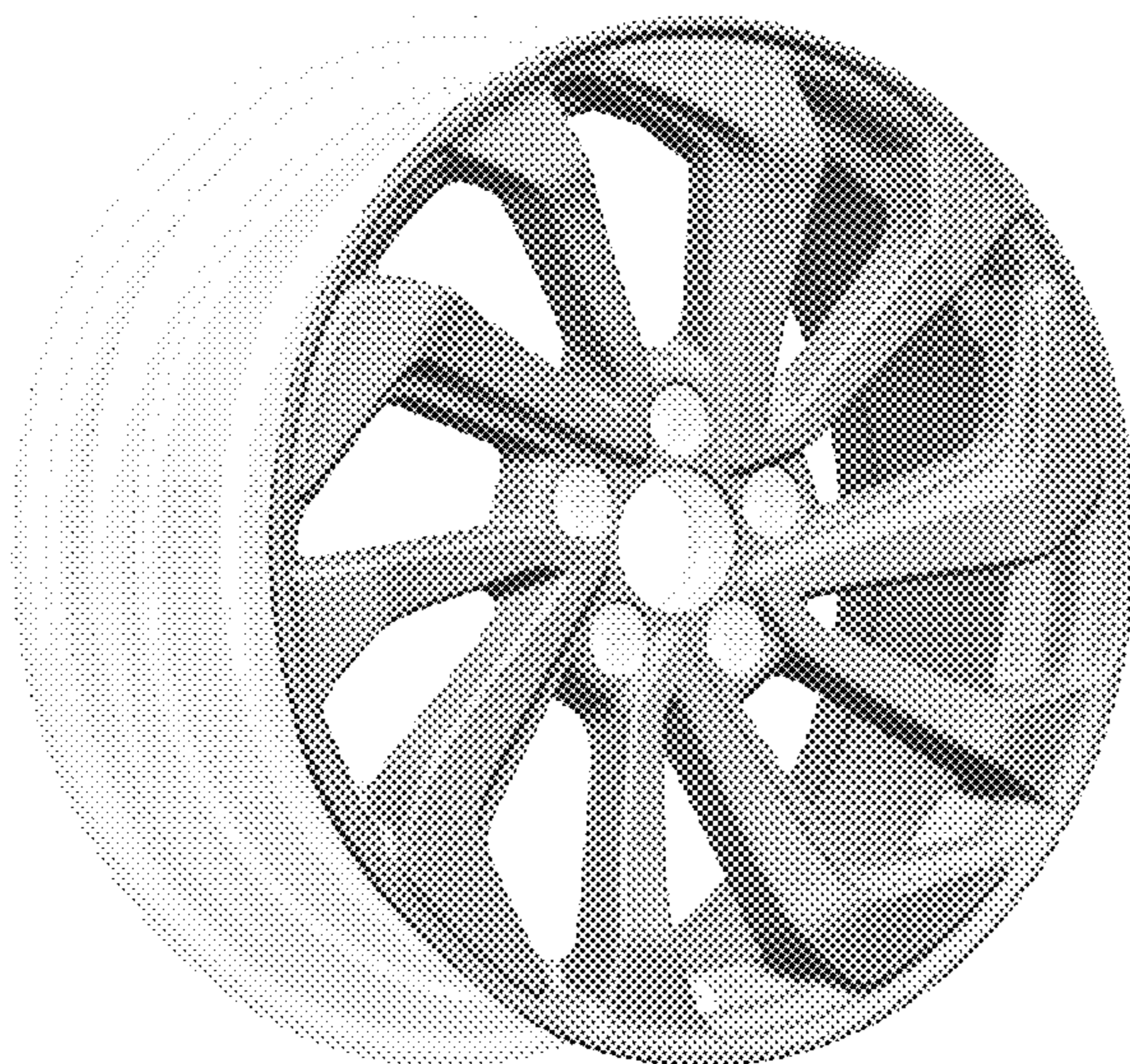




FIG. 1



FIG. 2