



US00D748552S

(12) **United States Design Patent**
Wagener

(10) **Patent No.:** **US D748,552 S**
(45) **Date of Patent:** **** Feb. 2, 2016**

(54) **WHEEL OR WHEEL COVER**

(71) Applicant: **Daimler AG**, Stuttgart (DE)

(72) Inventor: **Gorden Wagener**, Gaeufelden (DE)

(73) Assignee: **Daimler AG**, Stuttgart (DE)

(**) Term: **14 Years**

(21) Appl. No.: **29/507,430**

(22) Filed: **Oct. 28, 2014**

(30) **Foreign Application Priority Data**

Apr. 29, 2014 (EM) 002454678-0003

(51) **LOC (10) Cl.** **12-16**

(52) **U.S. Cl.**
USPC **D12/209**

(58) **Field of Classification Search**
USPC D12/204–213
CPC B60B 7/00; B60B 7/02; B60B 7/04;
B60B 7/01; B60B 7/06; B60B 3/02; B60B
3/04; B60B 3/06; B60B 3/10; B60B 1/00;
B60B 1/08; B60B 1/10; B60B 1/12
See application file for complete search history.

(56) **References Cited**

U.S. PATENT DOCUMENTS

D522,433 S * 6/2006 Szavits D12/209
D539,204 S * 3/2007 Pollmann D12/209

D603,318 S * 11/2009 Luciani D12/209
D608,713 S * 1/2010 Bucher D12/209
D617,243 S * 6/2010 Juergens D12/209
D654,006 S * 2/2012 Baum D12/209
D659,068 S * 5/2012 Johnson D12/211
D666,954 S * 9/2012 Antoniadis D12/209
D673,095 S * 12/2012 Behmer D12/209
D683,682 S * 6/2013 Alfonso D12/209
D697,004 S * 1/2014 Pollmann D12/209
D707,170 S * 6/2014 Wheel D12/211
D728,441 S * 5/2015 Zhang D12/209
D731,390 S * 6/2015 Kobayashi D12/211
D734,234 S * 7/2015 Juergens D12/209
D740,192 S * 10/2015 Buck D12/209

* cited by examiner

Primary Examiner — Stacia Cadmus

(74) *Attorney, Agent, or Firm* — Crowell & Moring LLP

(57) **CLAIM**

The ornamental design for a wheel or wheel cover, as shown and described.

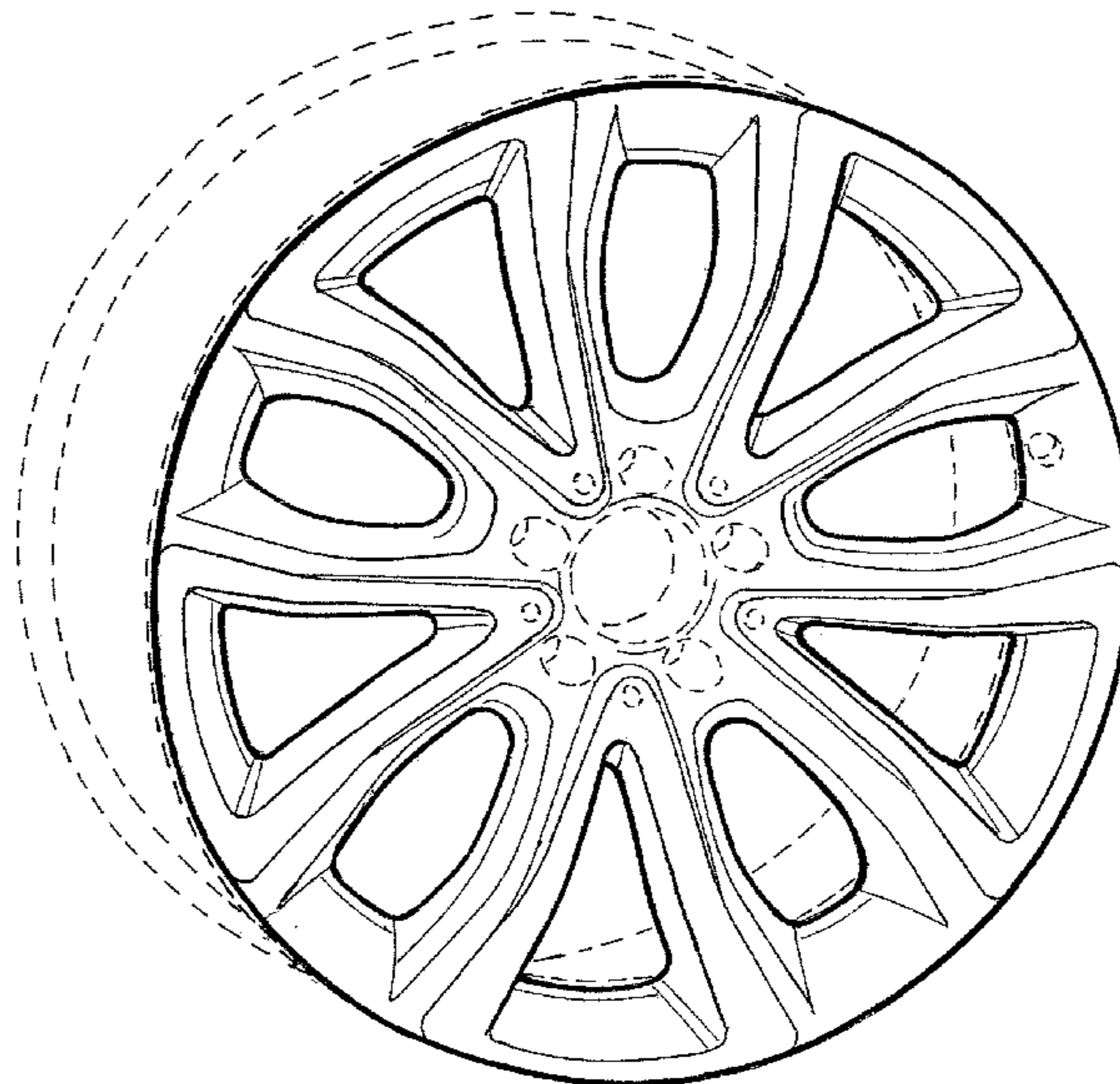
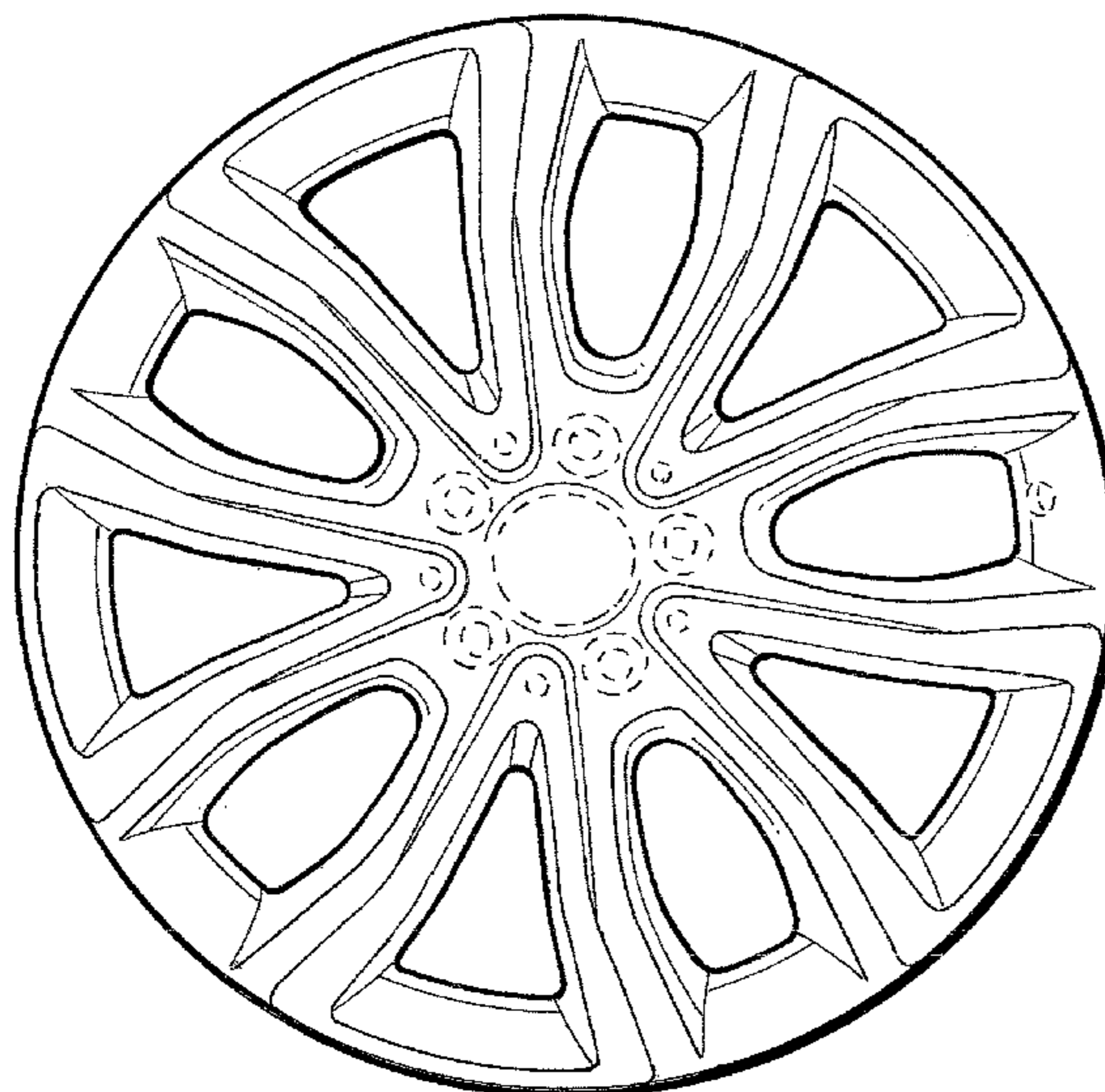
DESCRIPTION

FIG. 1 is a front view of a wheel or wheel cover according to the design; and,

FIG. 2 is a perspective view thereof.

The broken line showing of the rear of the wheel, the valve stem hole and the bolt holes and the center hole in the central hub area is included for the purpose of illustrating environment and forms no part of the claimed design.

1 Claim, 1 Drawing Sheet



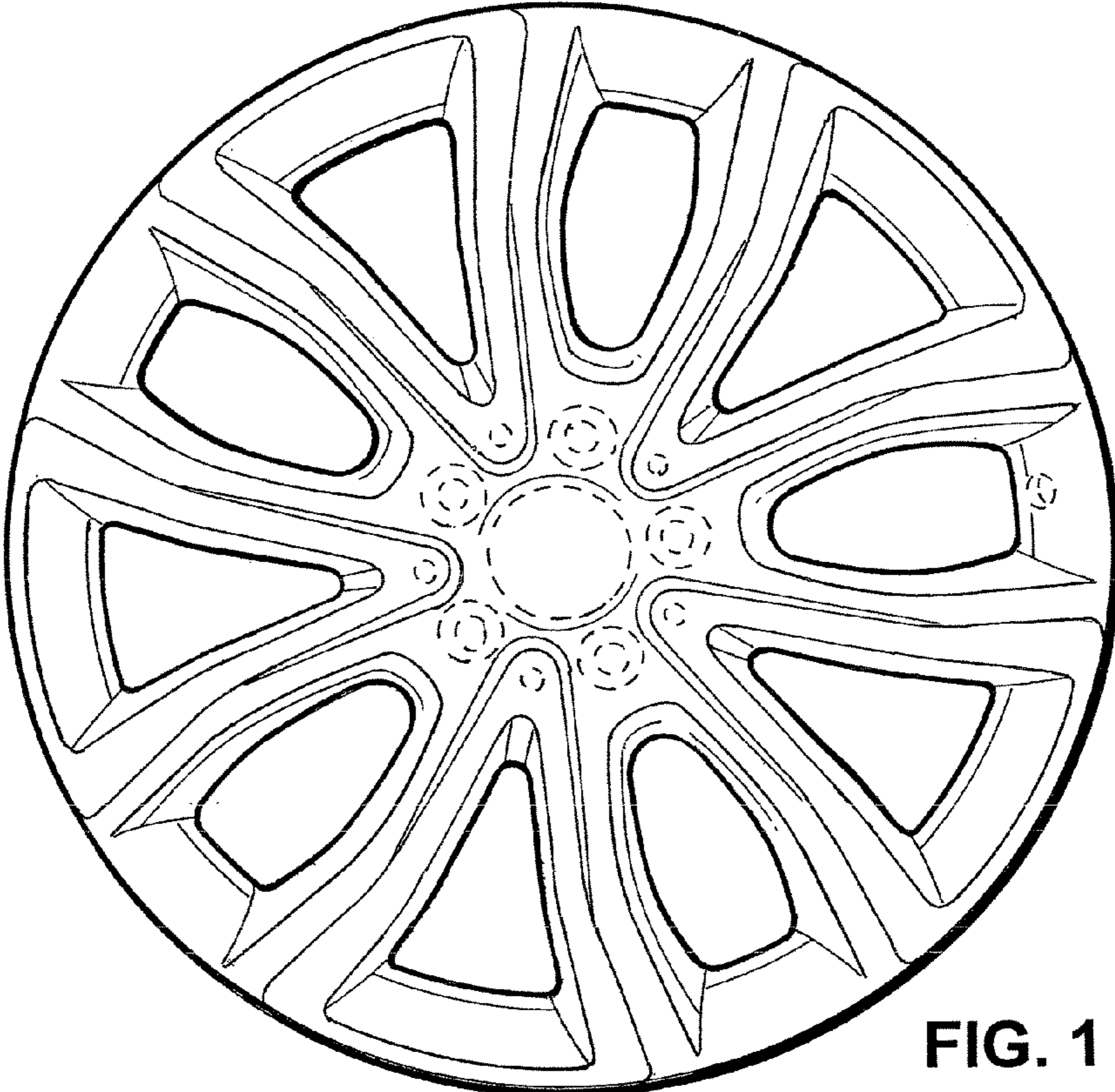


FIG. 1

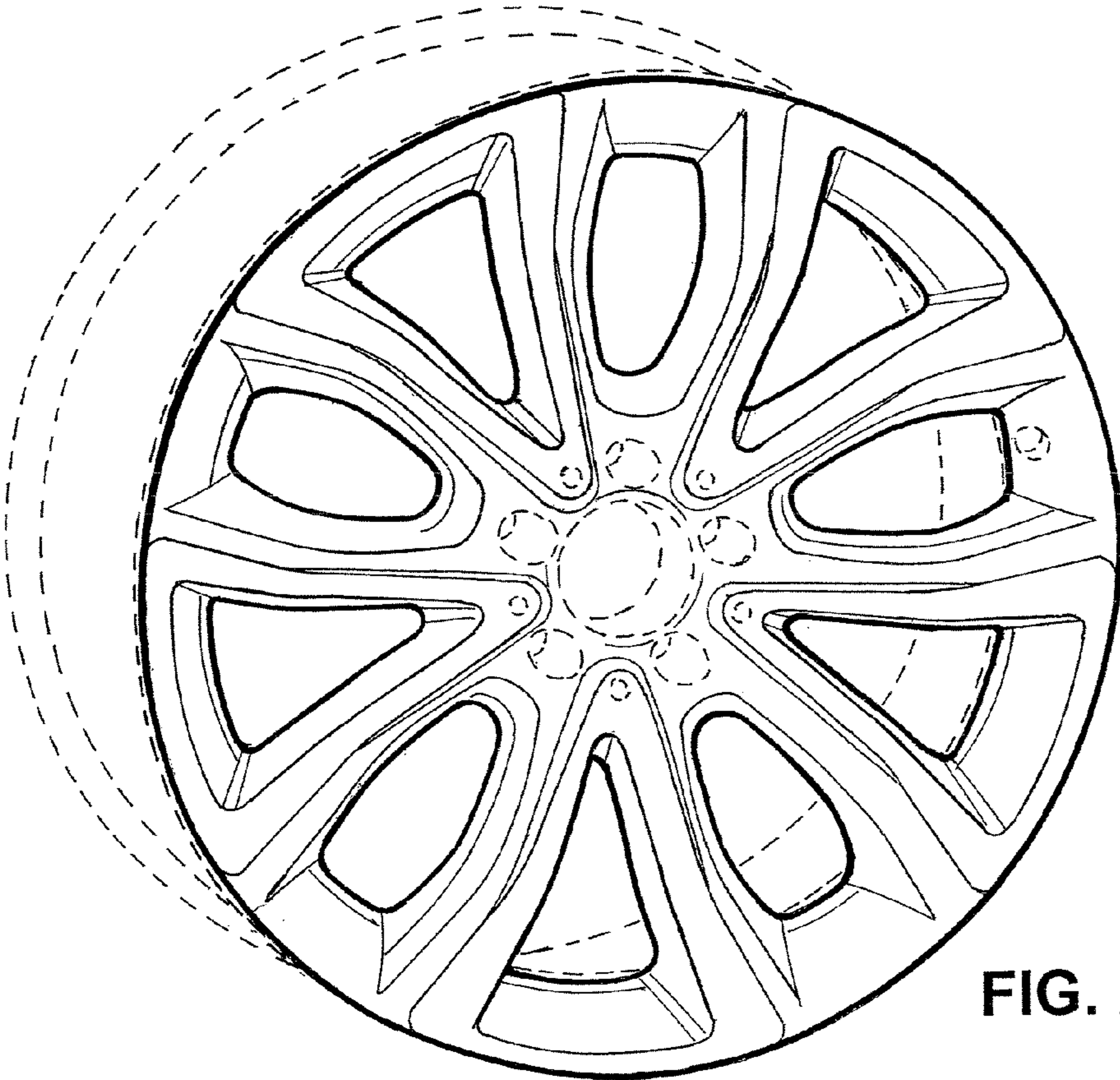


FIG. 2