



US00D748550S

(12) **United States Design Patent**
Yamaguchi et al.

(10) **Patent No.:** **US D748,550 S**
(45) **Date of Patent:** **** Feb. 2, 2016**

(54) **AUTOMOBILE**

(71) Applicant: **HONDA MOTOR CO., LTD.**, Tokyo (JP)

(72) Inventors: **Maki Yamaguchi**, Wako (JP); **Daiki Ueno**, Wako (JP)

(73) Assignee: **HONDA MOTOR CO., LTD.**, Tokyo (JP)

(**) Term: **14 Years**

(21) Appl. No.: **29/488,163**

(22) Filed: **Apr. 16, 2014**

(30) **Foreign Application Priority Data**

Oct. 21, 2013 (JP) 2013-024476

(51) **LOC (10) Cl.** **12-08**

(52) **U.S. Cl.**
USPC **D12/195**

(58) **Field of Classification Search**
USPC D12/195, 86, 90-92, 190, 192, 415;
D6/356; D15/28; D10/98, 102, 103;
D21/424, 433, 434; 280/750-752;
296/190.01, 191, 70, 193.08, 153,
296/146.1, 149, 37.1-37.13; 49/501, 502
CPC B60R 13/02; B60R 2011/0003; B60R
2011/0005; B60R 2011/0007
See application file for complete search history.

(56) **References Cited**

U.S. PATENT DOCUMENTS

D361,972 S * 9/1995 Ney et al. D12/195
D389,798 S * 1/1998 Ma et al. D12/192

(Continued)

OTHER PUBLICATIONS

"Honda MC-Beta, New Micro-sized EV", Nov. 21, 2013, Autospress.com, 2 Pages.*

(Continued)

Primary Examiner — Eric Goodman

Assistant Examiner — Clese Moore, Jr.

(74) *Attorney, Agent, or Firm* — Westerman, Hattori, Daniels & Adrian, LLP

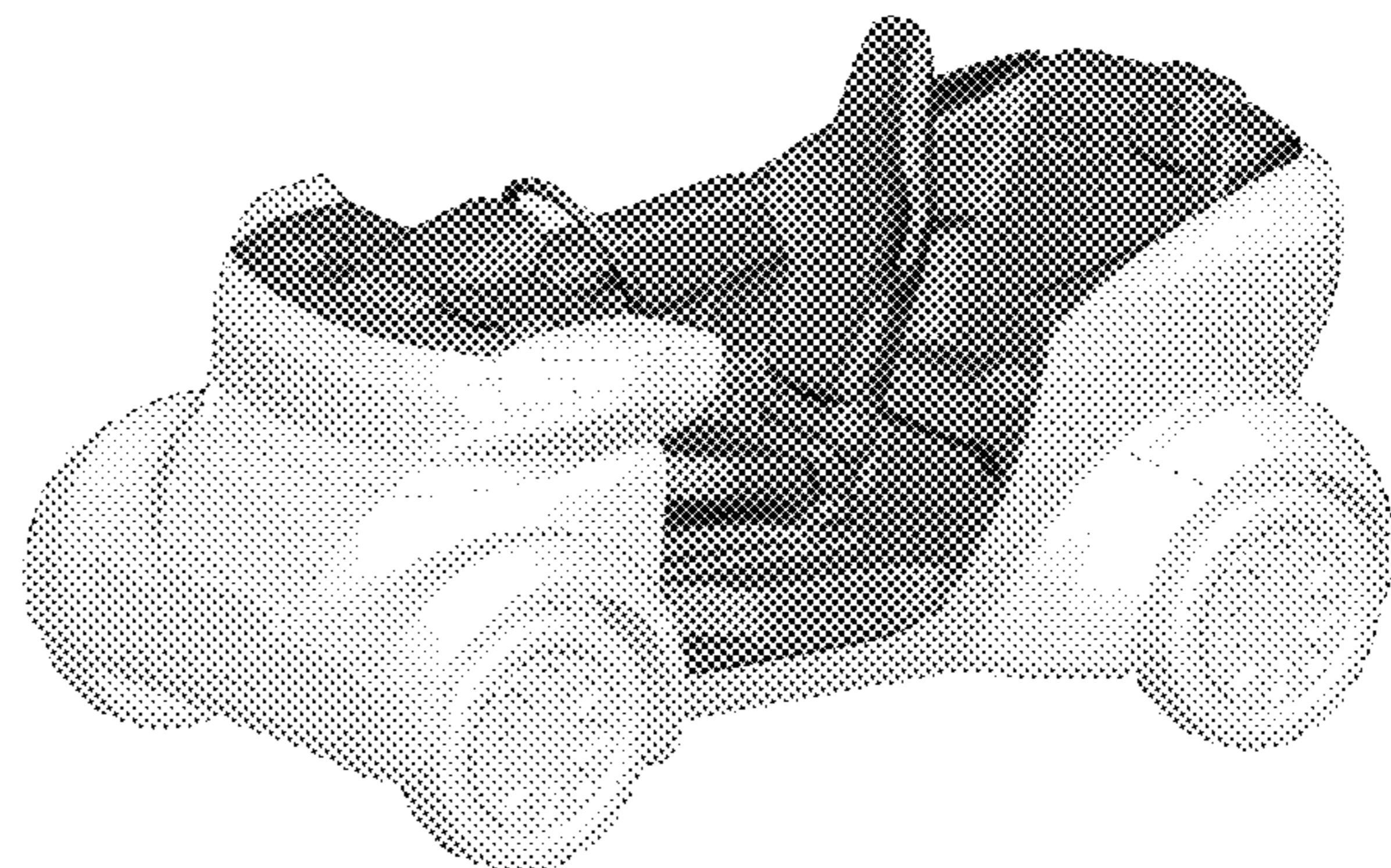
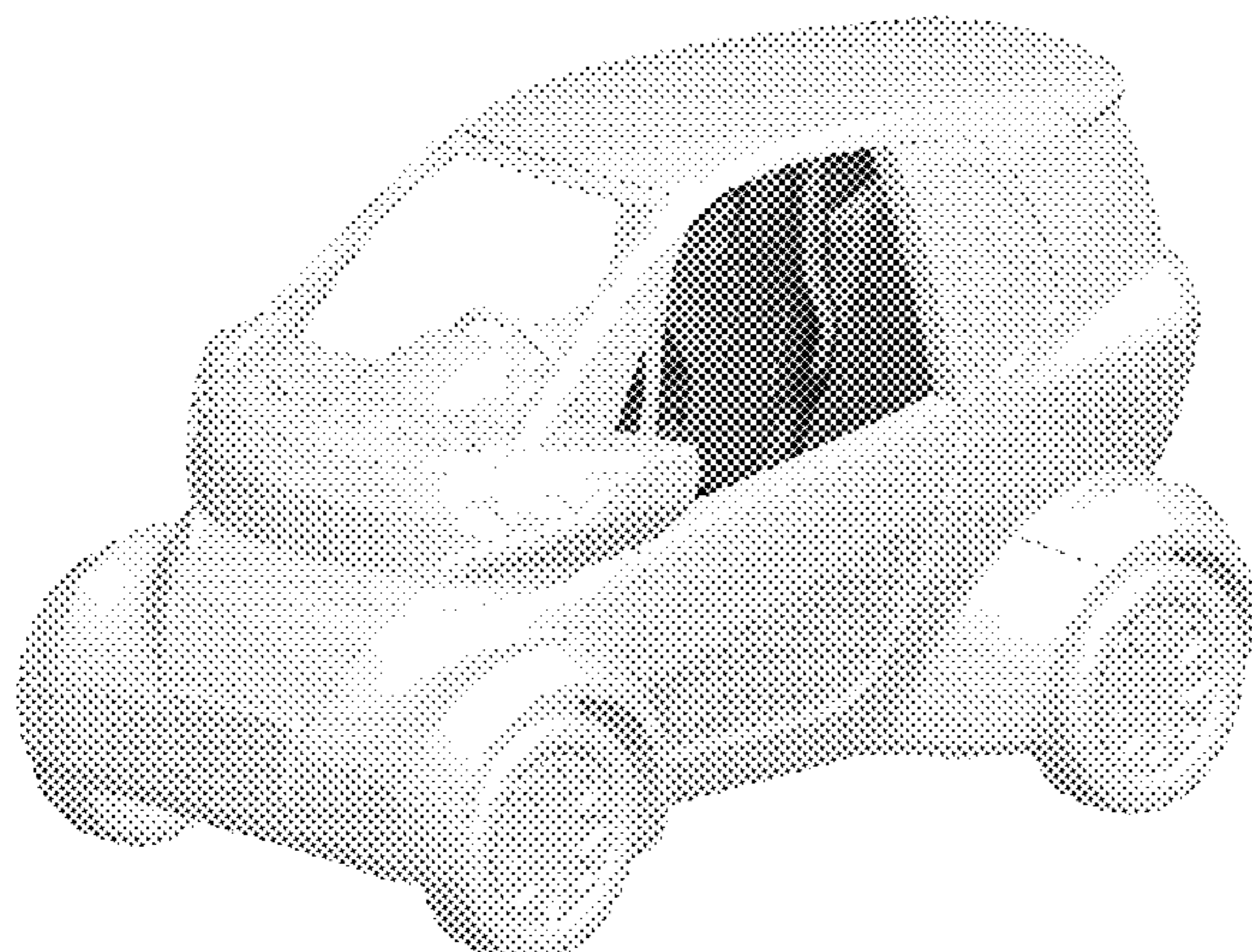
(57) **CLAIM**

The ornamental design for an automobile, as shown and described.

DESCRIPTION

FIG. 1 is a front left perspective view of an automobile showing our new design;
FIG. 2 is a front right perspective view thereof;
FIG. 3 is a rear right perspective view thereof;
FIG. 4 is a rear left perspective thereof;
FIG. 5 is a front elevational view thereof;
FIG. 6 is a rear elevational view thereof;
FIG. 7 is a left side elevational view thereof;
FIG. 8 is a right side elevational view thereof;
FIG. 9 is a top plan view thereof;
FIG. 10 is a front left perspective view in which a cowl portion and a left door panel portion of the automobile are removed;
FIG. 11 is a front right perspective view in which the cowl portion and the left door panel portion are removed;
FIG. 12 is a rear right perspective view in which the cowl portion and a right door panel portion of the automobile are removed;
FIG. 13 is a rear left perspective view in which the cowl portion and the right door panel portion are removed;
FIG. 14 is a front upper perspective view in which the cowl portion and the left door panel portion are removed;
FIG. 15 is a rear upper perspective view in which the cowl portion and the right door panel portion are removed;
FIG. 16 is a left side upper reduced perspective view in which the cowl portion is removed;
FIG. 17 is a right side upper reduced perspective view in which the cowl portion is removed;
FIG. 18 is a left side view in which the cowl portion is removed;
FIG. 19 is a right side view in which the cowl portion is removed;
FIG. 20 is a plan view in which the cowl portion is removed;
FIG. 21 is a partial view of an instrument panel in which the steering portion of the automobile is removed to show the design features obscured by the steering portion; and,
FIG. 22 is an enlarged partial view of instrument panel as shown in FIG. 21, in which the steering portion is removed to show the design features obscured by the steering portion.
The claimed design is indicated by the relatively dark portions in the figures, while the relatively light portions are environmental and form no part of the claimed design.

1 Claim, 22 Drawing Sheets



(56)

References Cited

U.S. PATENT DOCUMENTS

D479,497 S * 9/2003 Bailey D12/195
D524,211 S * 7/2006 Tsuchiya D12/195
D554,033 S * 10/2007 Hill et al. D12/195
D577,644 S * 9/2008 Wyszogrod et al. D12/195
D602,833 S * 10/2009 Corradi D12/195
D615,017 S * 5/2010 Smith D12/195
D630,987 S * 1/2011 Edwards et al. D12/195
D632,237 S * 2/2011 Green D12/195
D666,544 S * 9/2012 Tsay et al. D12/195
D673,488 S * 1/2013 Balko et al. D12/195
D676,365 S * 2/2013 Chang et al. D12/195

D693,753 S * 11/2013 Cheung et al. D12/192
D716,210 S * 10/2014 Ishikawa et al. D12/195
D718,200 S * 11/2014 Arnaout et al. D12/192
D719,494 S * 12/2014 Frenkler et al. D12/195
D719,883 S * 12/2014 Palma et al. D12/195
D721,996 S * 2/2015 Farcas et al. D12/192
D721,997 S * 2/2015 Hedge et al. D12/192
2002/0158448 A1 * 10/2002 Okonkwo 280/728.2

OTHER PUBLICATIONS

“Tomorrow’s compact EVs light up Tokyo Motor Show”, Nov. 21, 2013, cnet.com, 1 Page.*

* cited by examiner



FIG. 1



FIG. 2



FIG. 3



FIG. 4



FIG. 5



FIG. 6

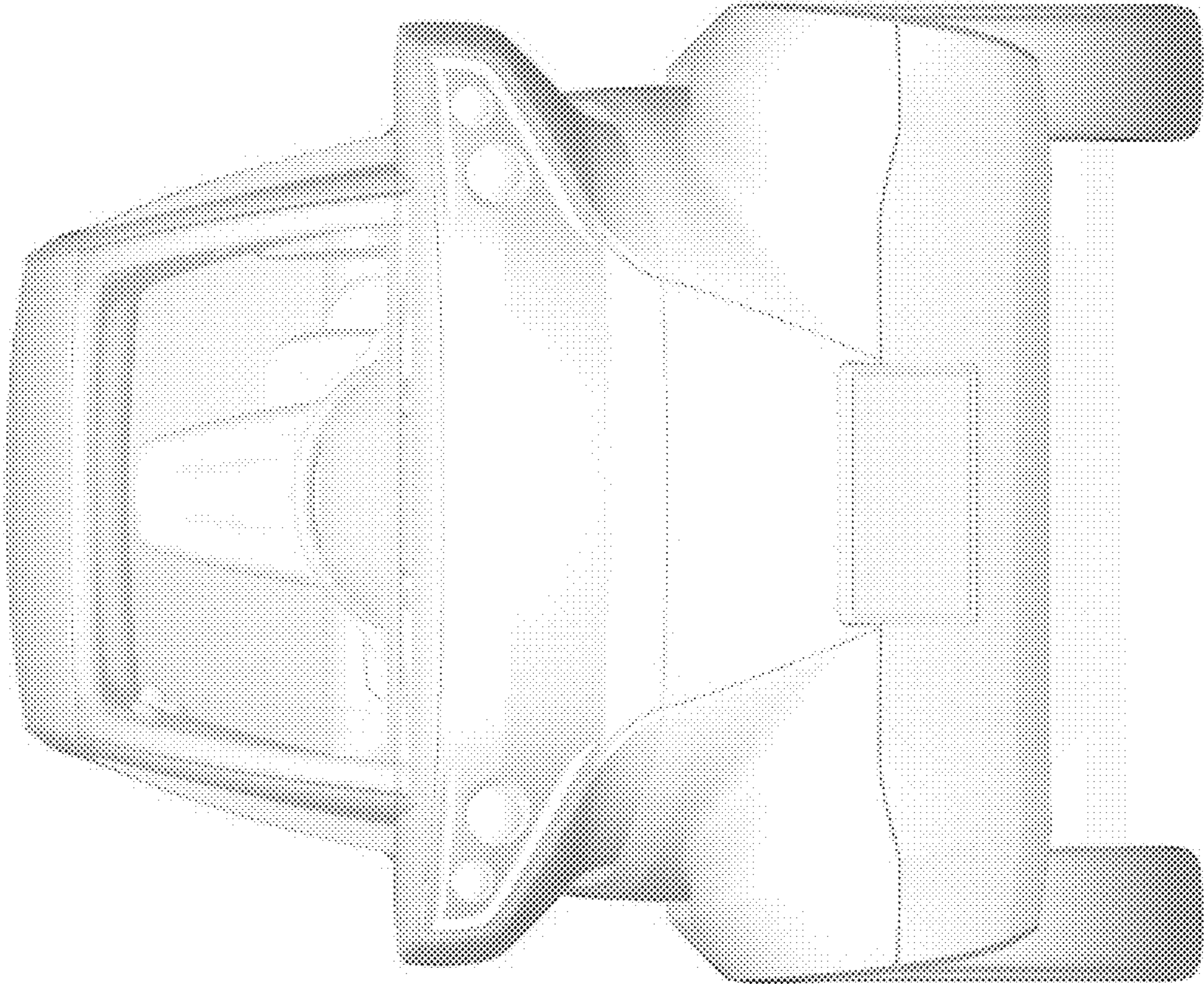


FIG. 7

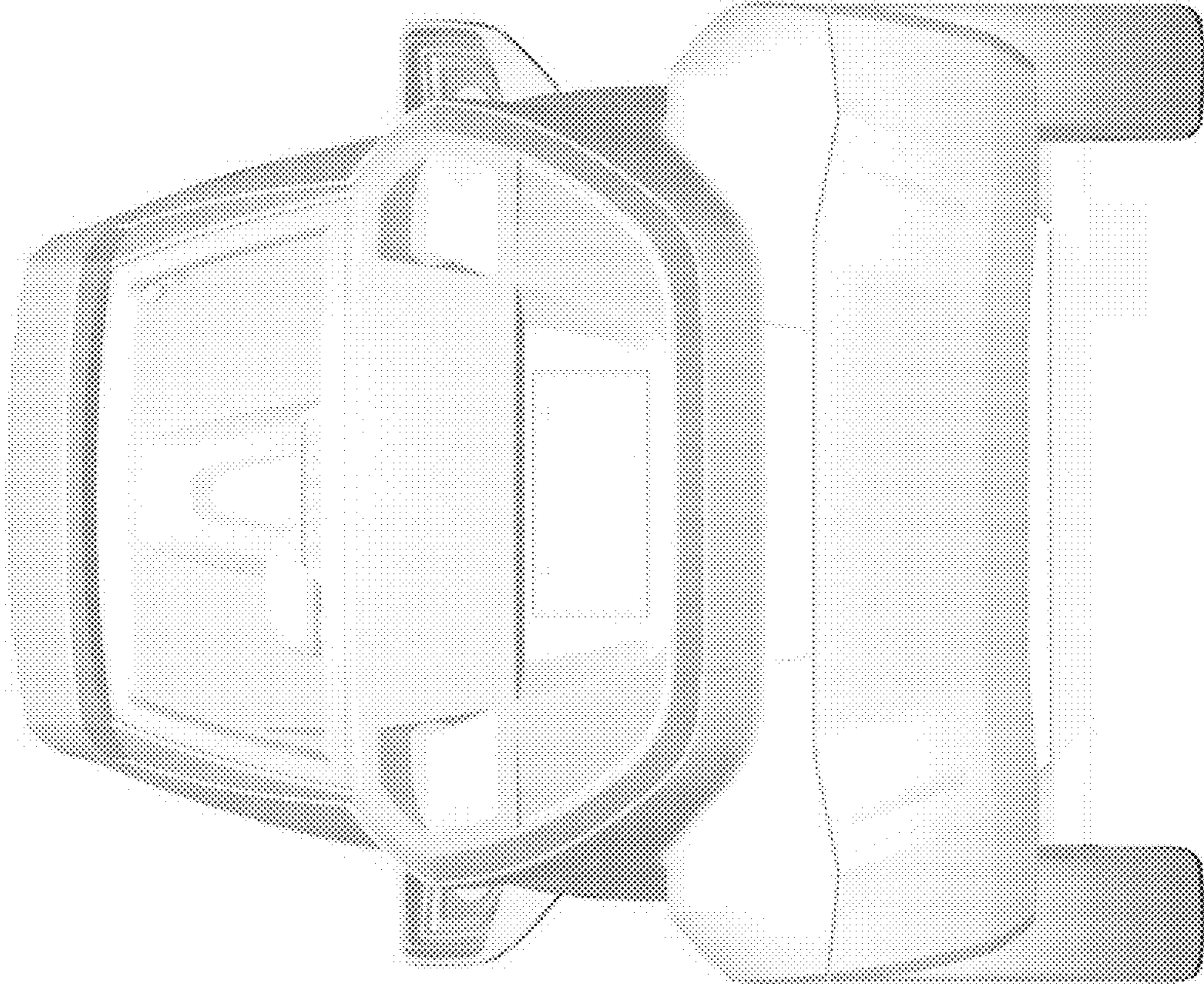


FIG. 8



FIG. 9



FIG. 10

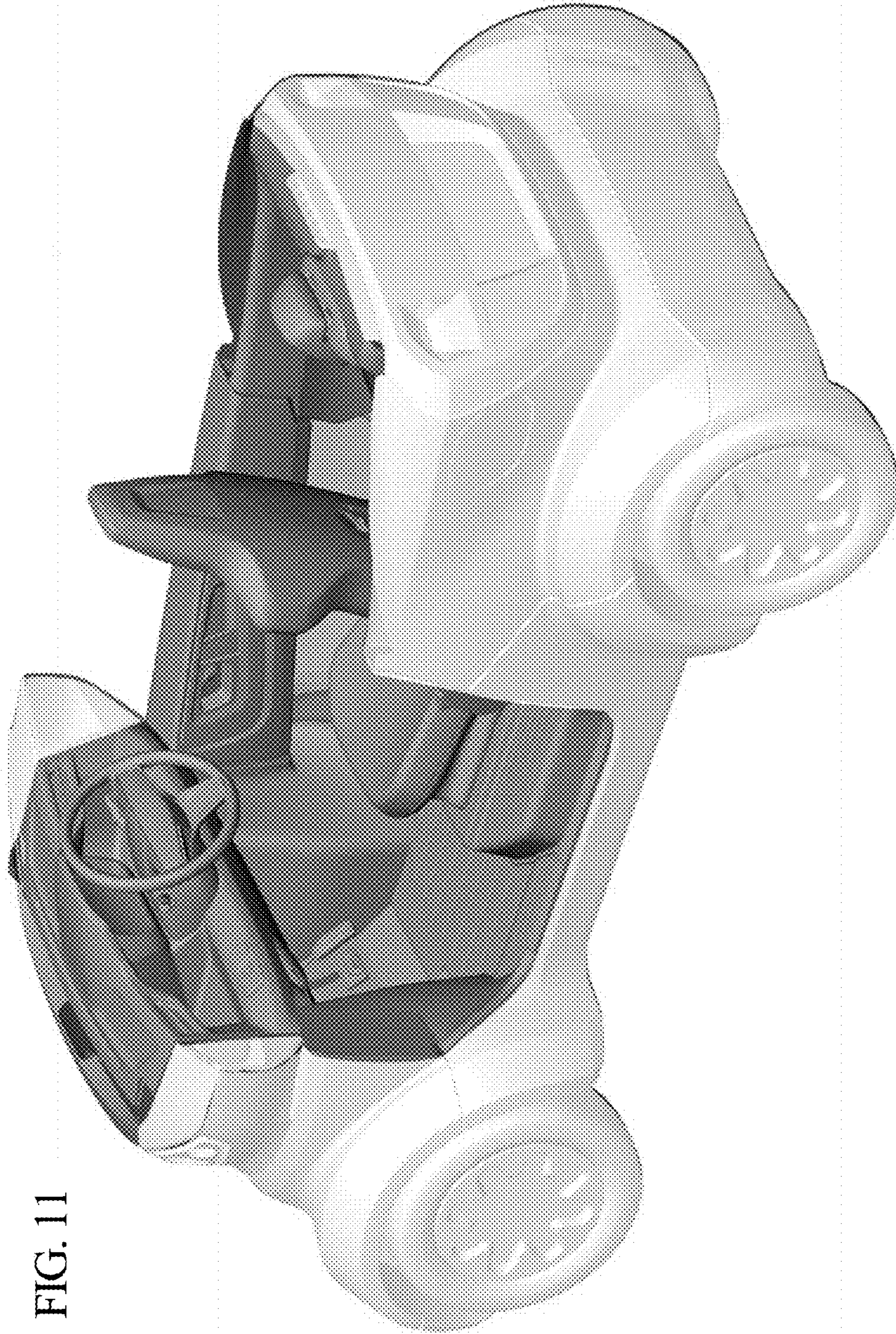
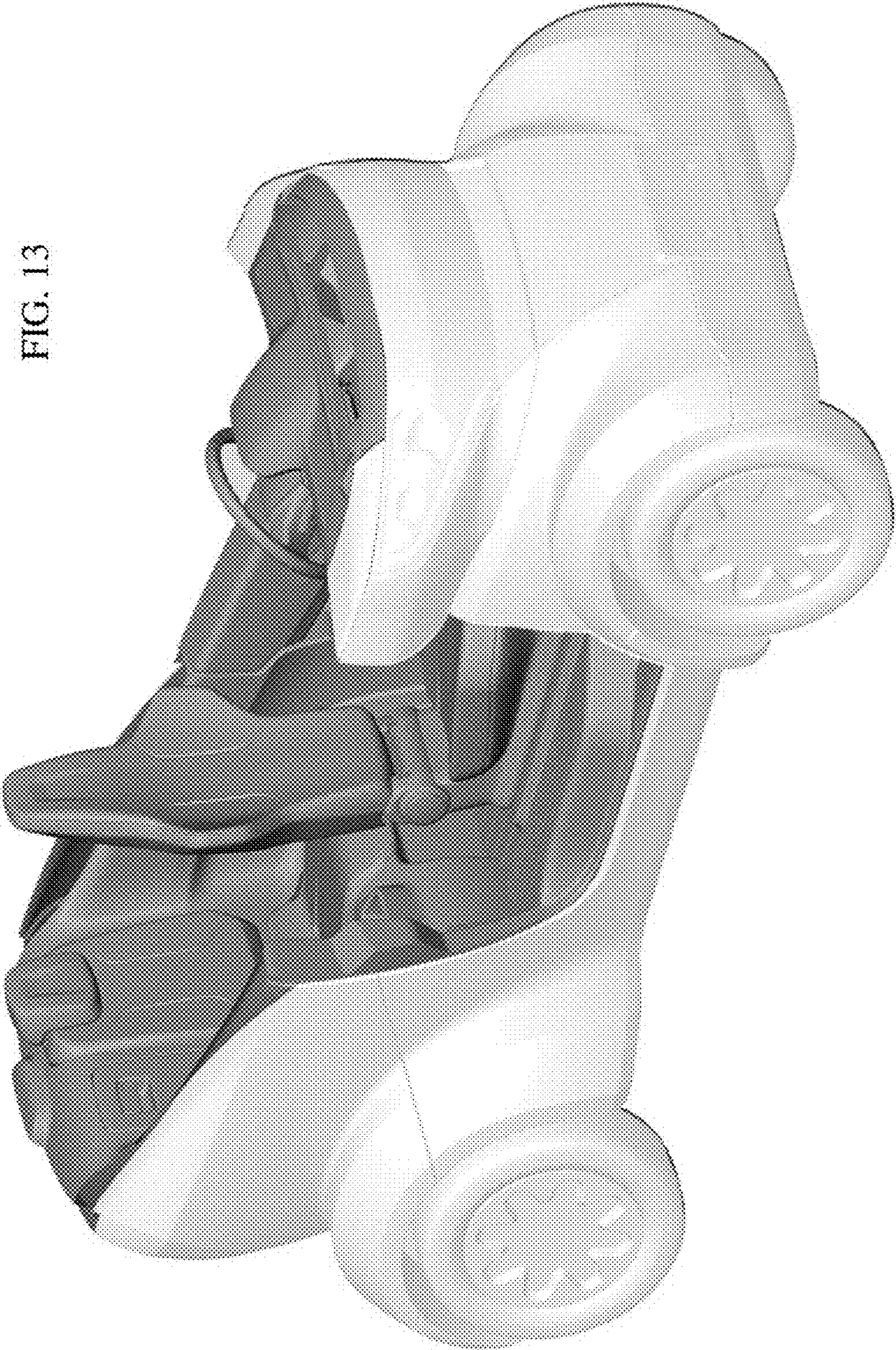


FIG. 11



FIG. 12

FIG. 13



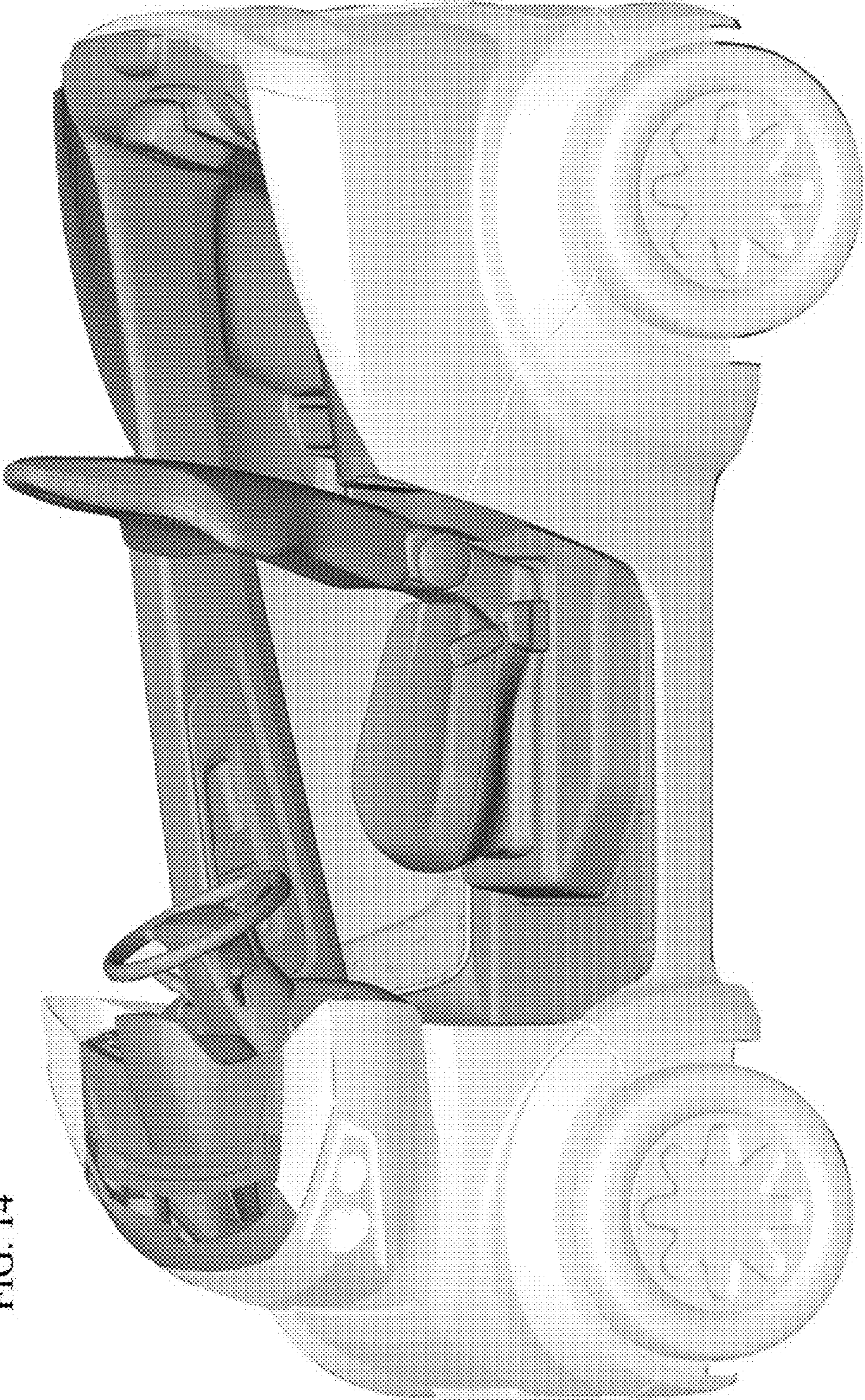


FIG. 14

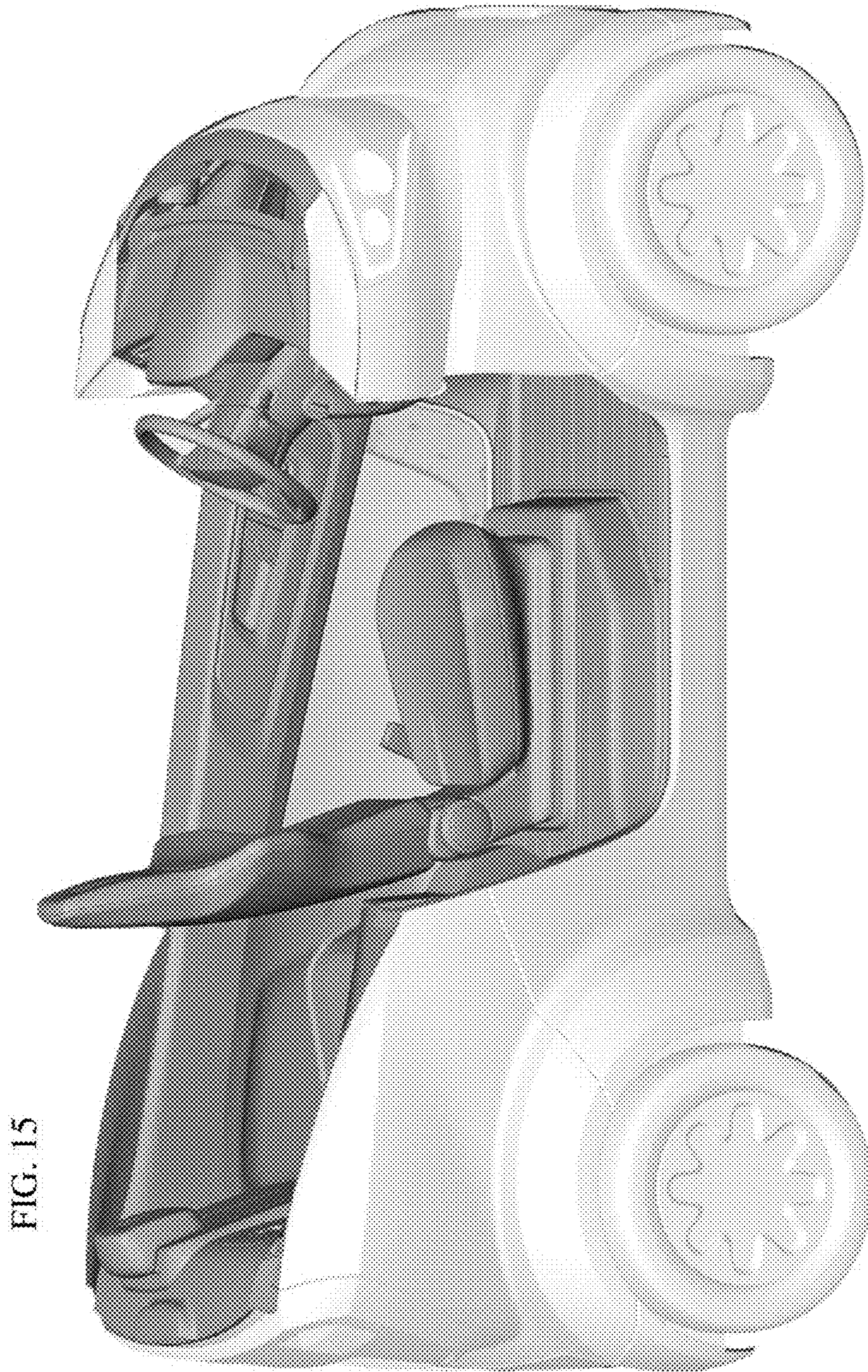


FIG. 15

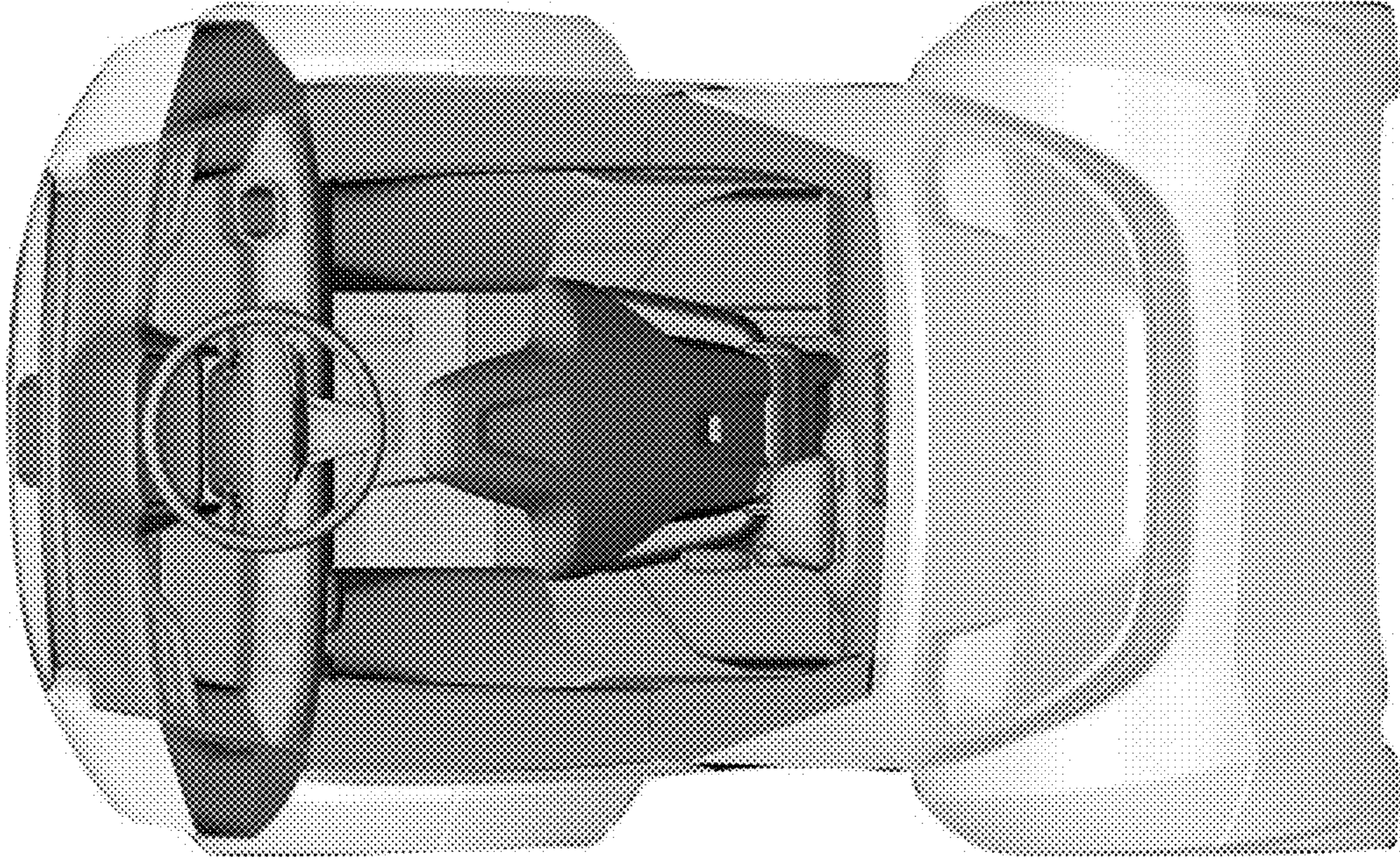


FIG. 16

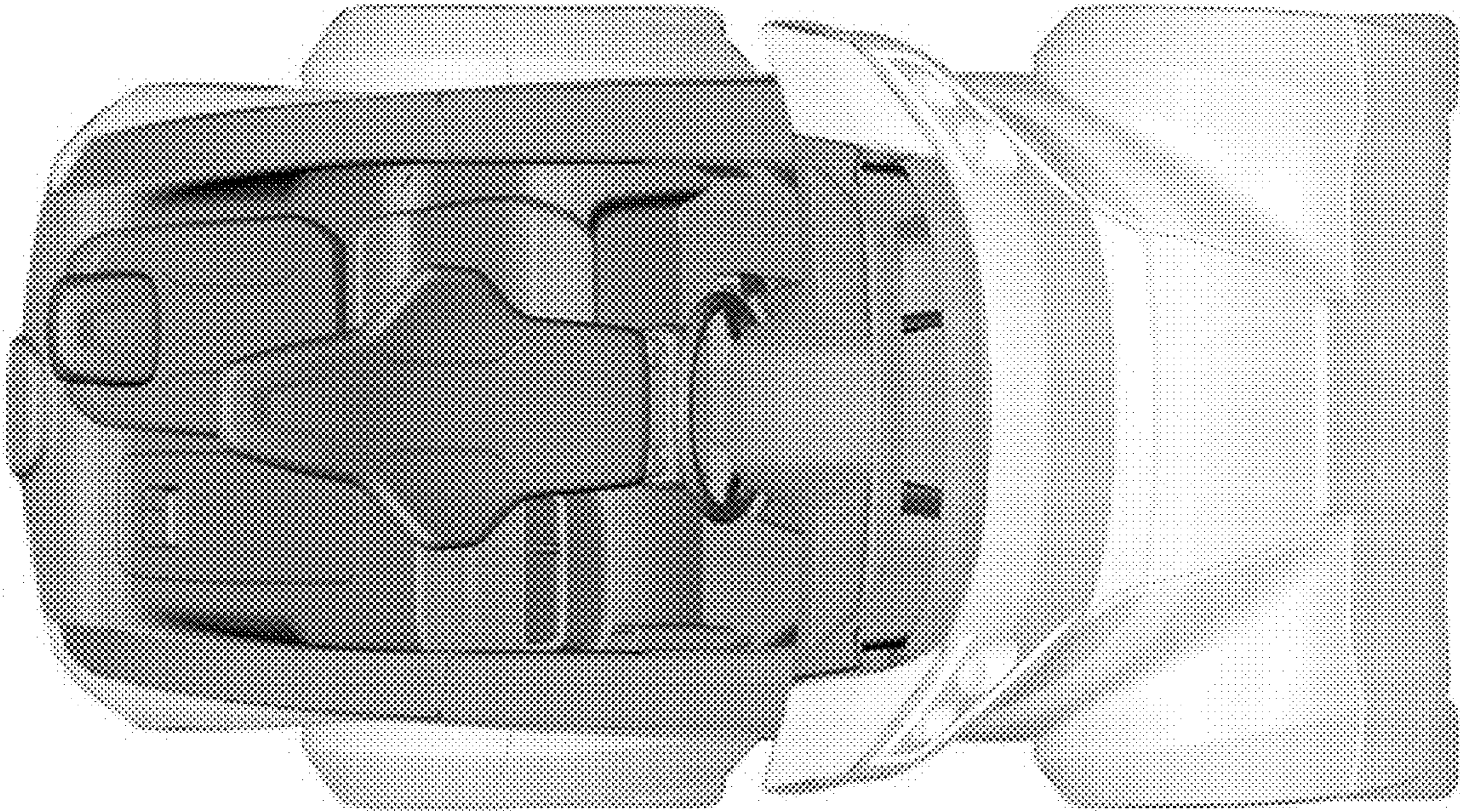


FIG. 17

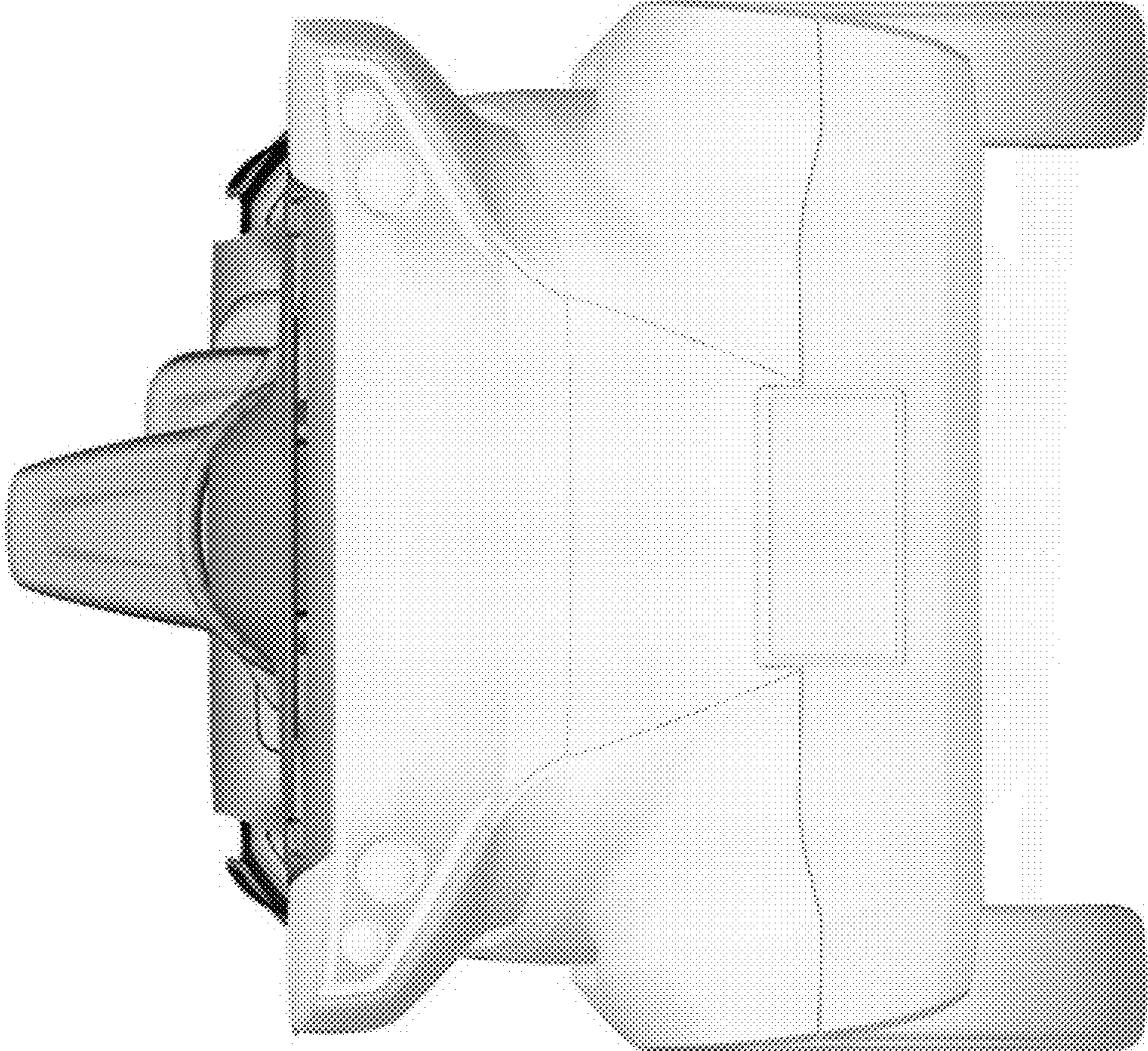


FIG. 18

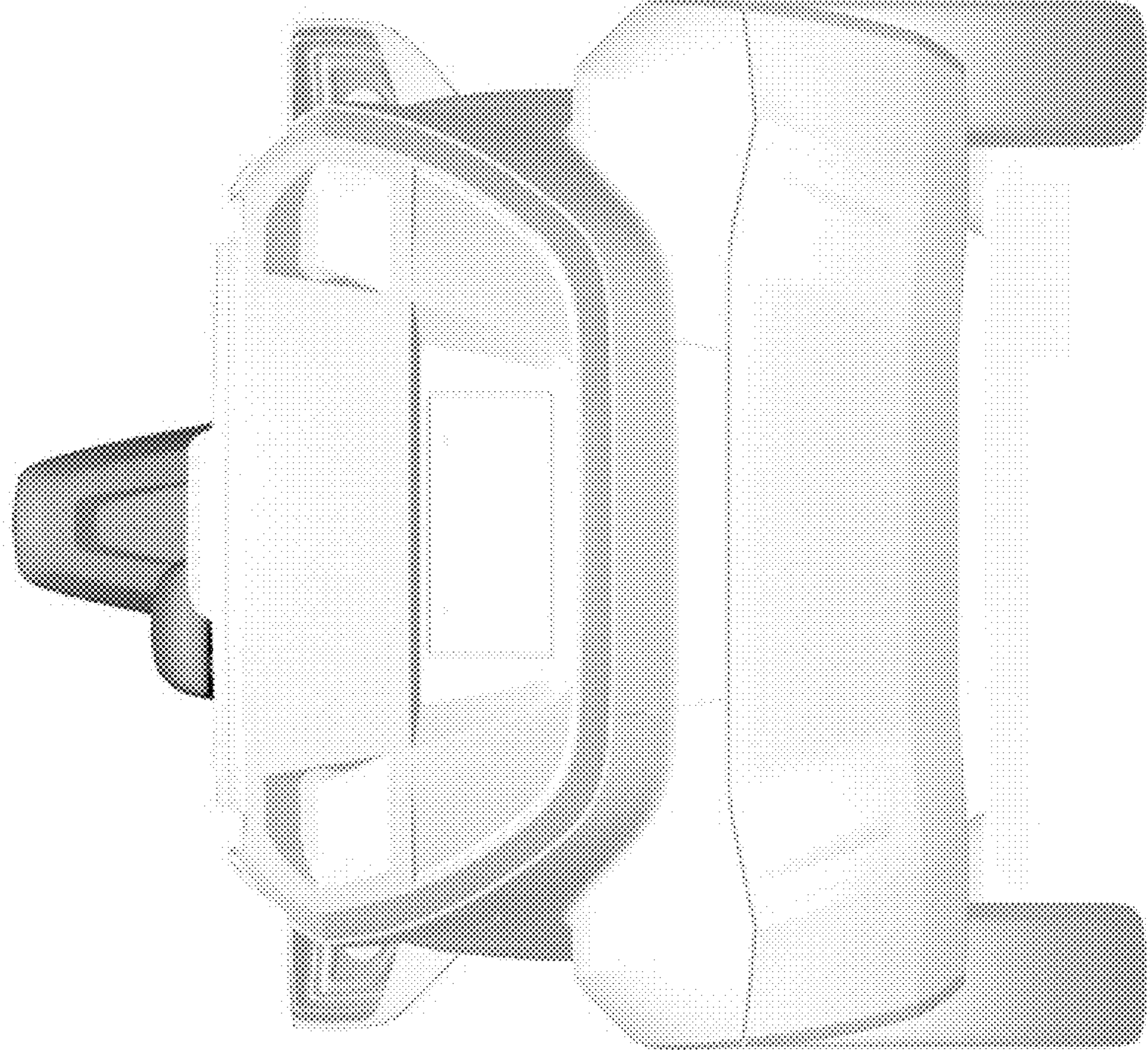


FIG. 19



FIG. 20

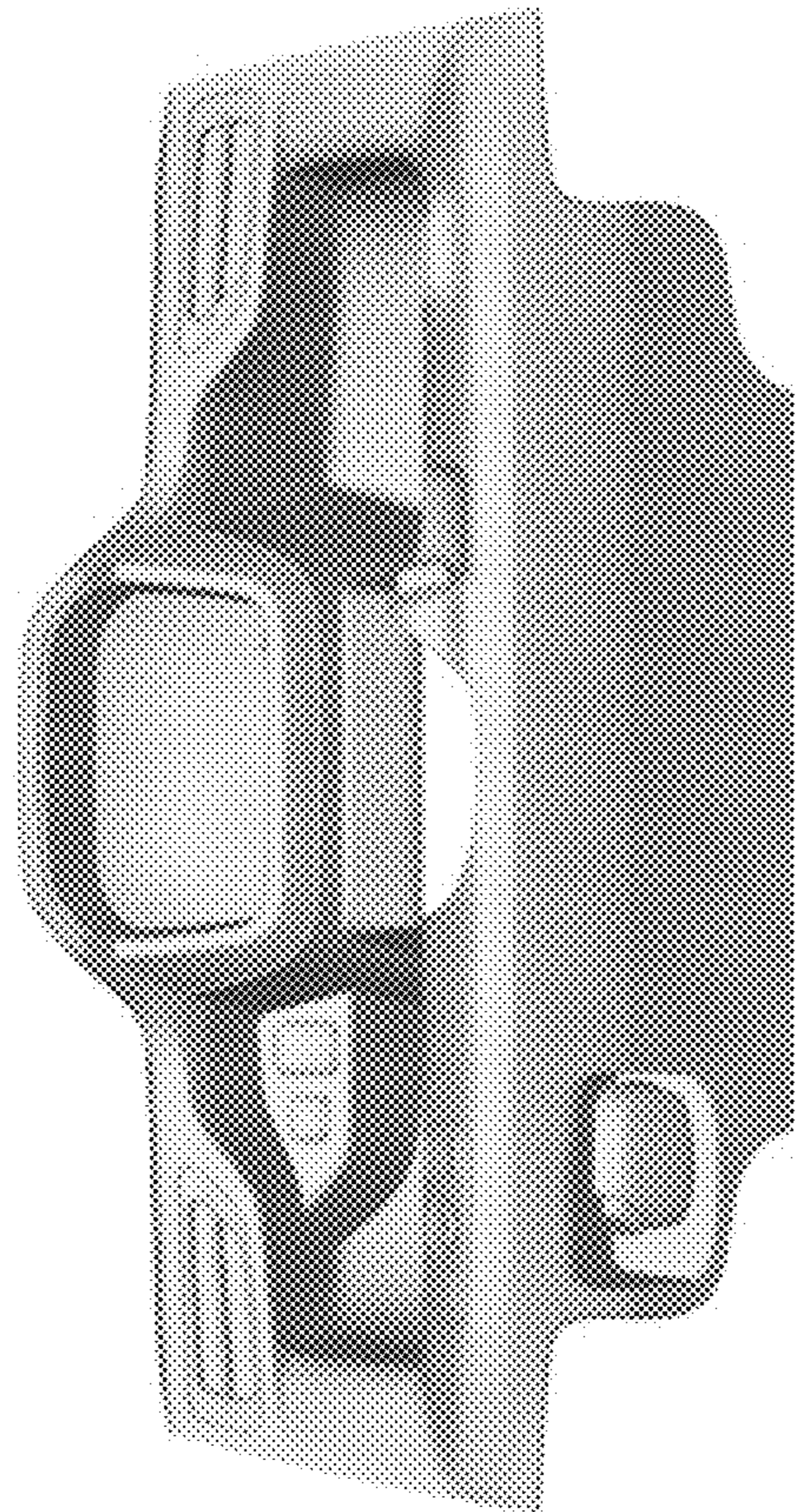


FIG. 21

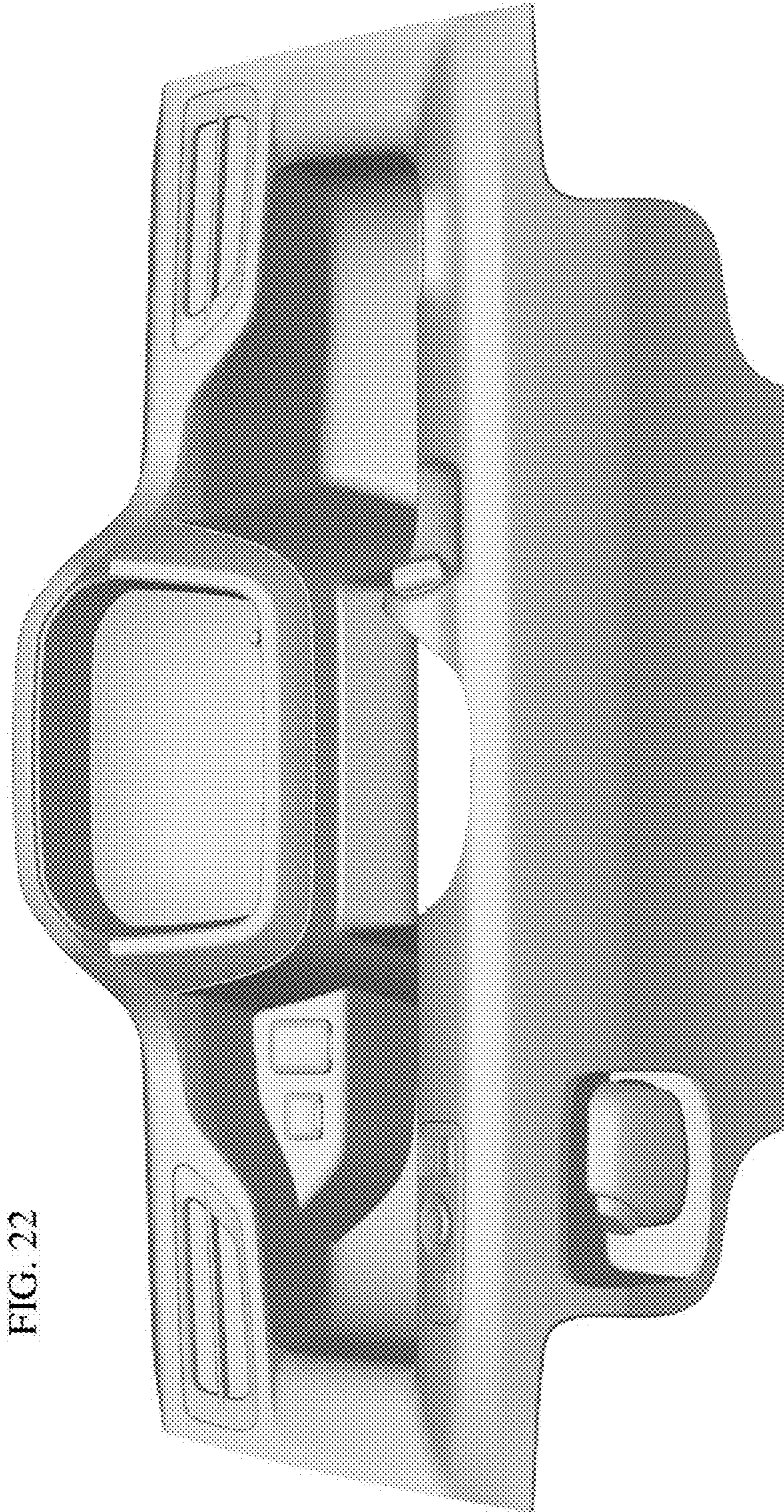


FIG. 22