



US00D748549S

(12) **United States Design Patent**
Battams

(10) **Patent No.:** **US D748,549 S**
(45) **Date of Patent:** **** Feb. 2, 2016**

(54) **VEHICLE COMPONENT**

(71) Applicant: **Jaguar Land Rover Limited**, Coventry (GB)

(72) Inventor: **Robert Battams**, Coventry (GB)

(**) Term: **14 Years**

(21) Appl. No.: **29/512,707**

(22) Filed: **Dec. 22, 2014**

(30) **Foreign Application Priority Data**

Jun. 24, 2014 (EM) 002489187

(51) **LOC (10) Cl.** **12-08**

(52) **U.S. Cl.**
USPC **D12/190**

(58) **Field of Classification Search**
USPC D12/190, 106, 181, 191, 196, 400, 88
CPC B60R 19/52
See application file for complete search history.

(56) **References Cited**

U.S. PATENT DOCUMENTS

D539,200 S *	3/2007	Chan	D12/190
D623,104 S *	9/2010	Akasawa	D12/190
D647,018 S *	10/2011	Furst	D12/190
D647,833 S *	11/2011	Matei	D12/190
D659,060 S *	5/2012	Inoue	D12/190
D699,611 S *	2/2014	Holding	D10/91
D709,419 S *	7/2014	Watkins	D12/190

D709,420 S *	7/2014	Watkins	D12/190
D710,264 S *	8/2014	Watkins	D12/169
2008/0136216 A1 *	6/2008	Teng	B60R 13/0206 296/193.05

* cited by examiner

Primary Examiner — Katrina A Betton

(74) *Attorney, Agent, or Firm* — Fishman Stewart Yamaguchi PLLC

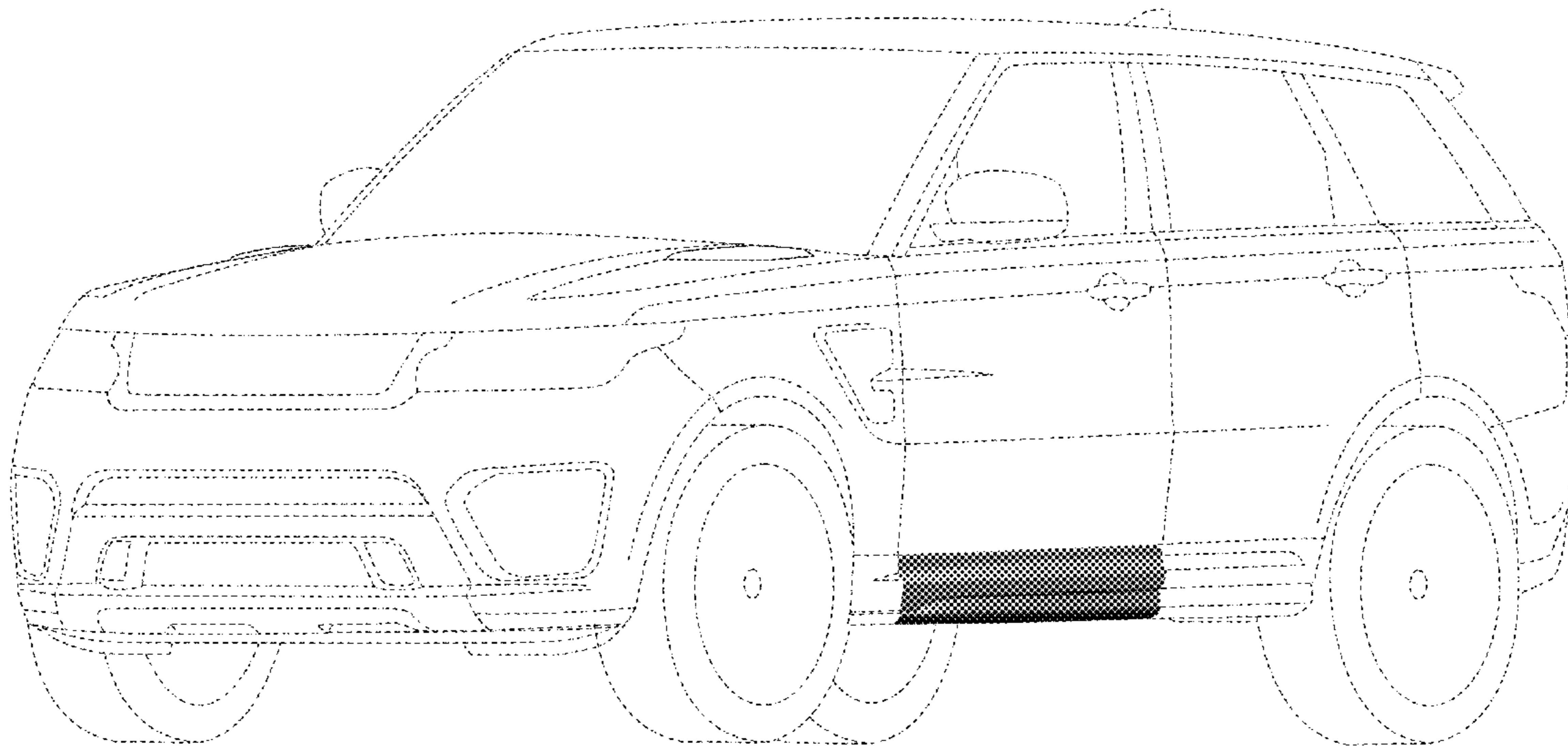
(57) **CLAIM**

The ornamental design for a vehicle component, as shown and described.

DESCRIPTION

FIG. 1 is a side outboard perspective view of a vehicle component;
 FIG. 2 is a side inboard perspective view of a vehicle component;
 FIG. 3 is a side inboard perspective view of a vehicle component;
 FIG. 4 is a side front view of a vehicle component;
 FIG. 5 is a rear view of a vehicle component;
 FIG. 6 is a top view of a vehicle component; and,
 FIG. 7 is a supplemental front perspective view of a vehicle component in the installed position on a vehicle.
 Portions of FIG. 7 shown in halftone are for illustrative purposes only and form to part of the claimed design.
 In the drawings, the broken lines in FIG. 7 depict portions of a vehicle that form no part of the claimed design.

1 Claim, 5 Drawing Sheets



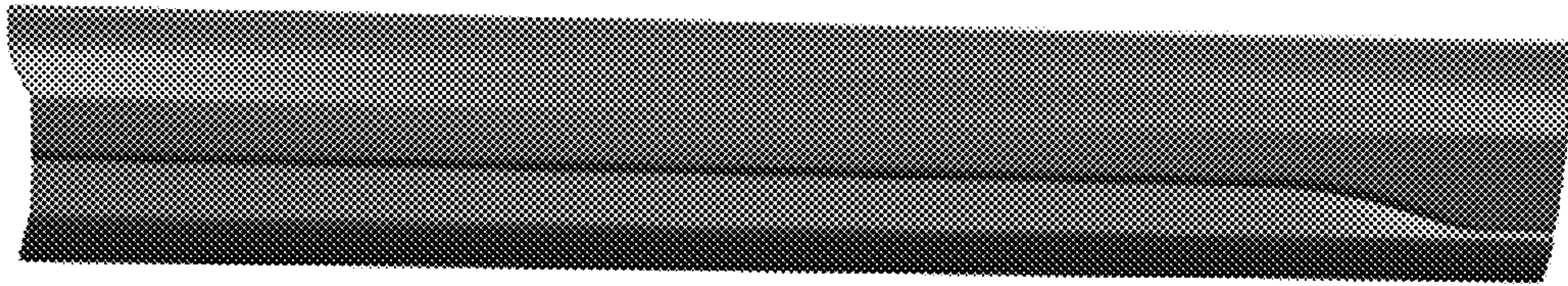


FIG. 1



FIG. 2

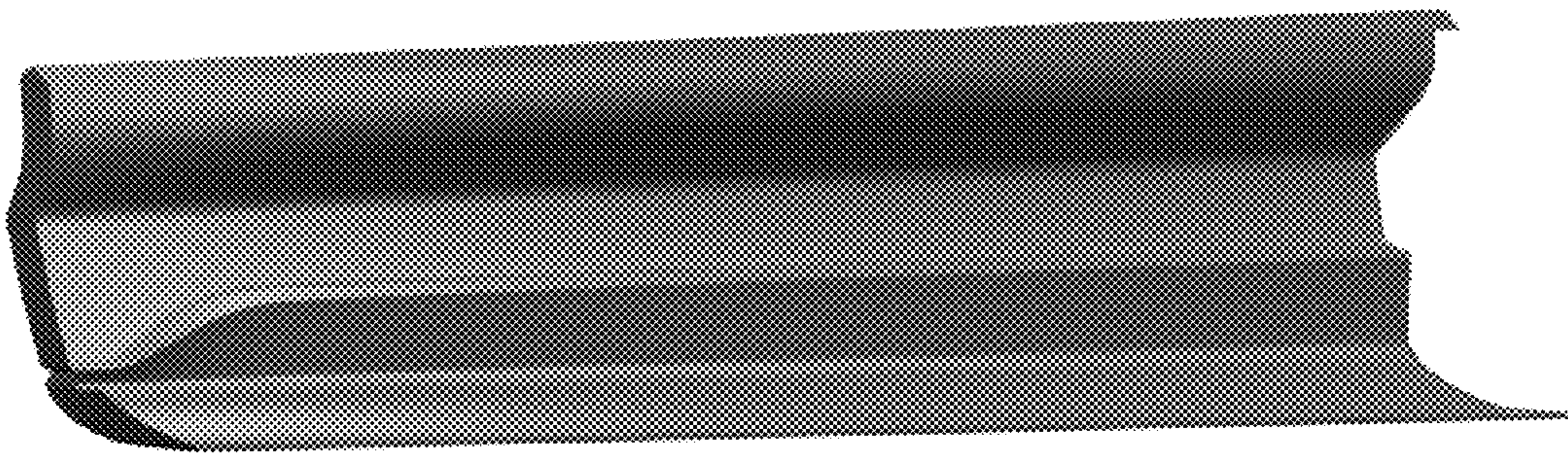


FIG. 3

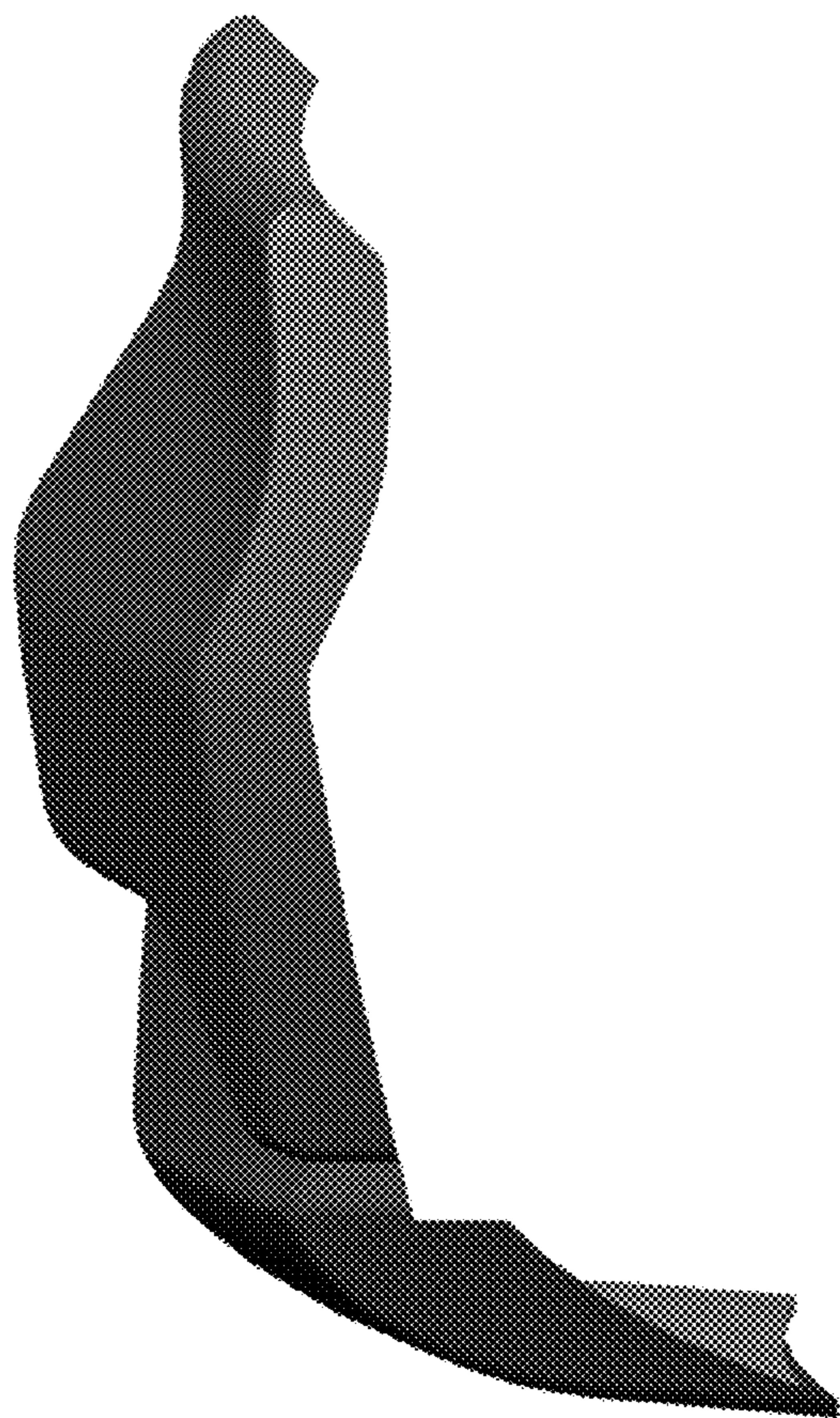


FIG. 4

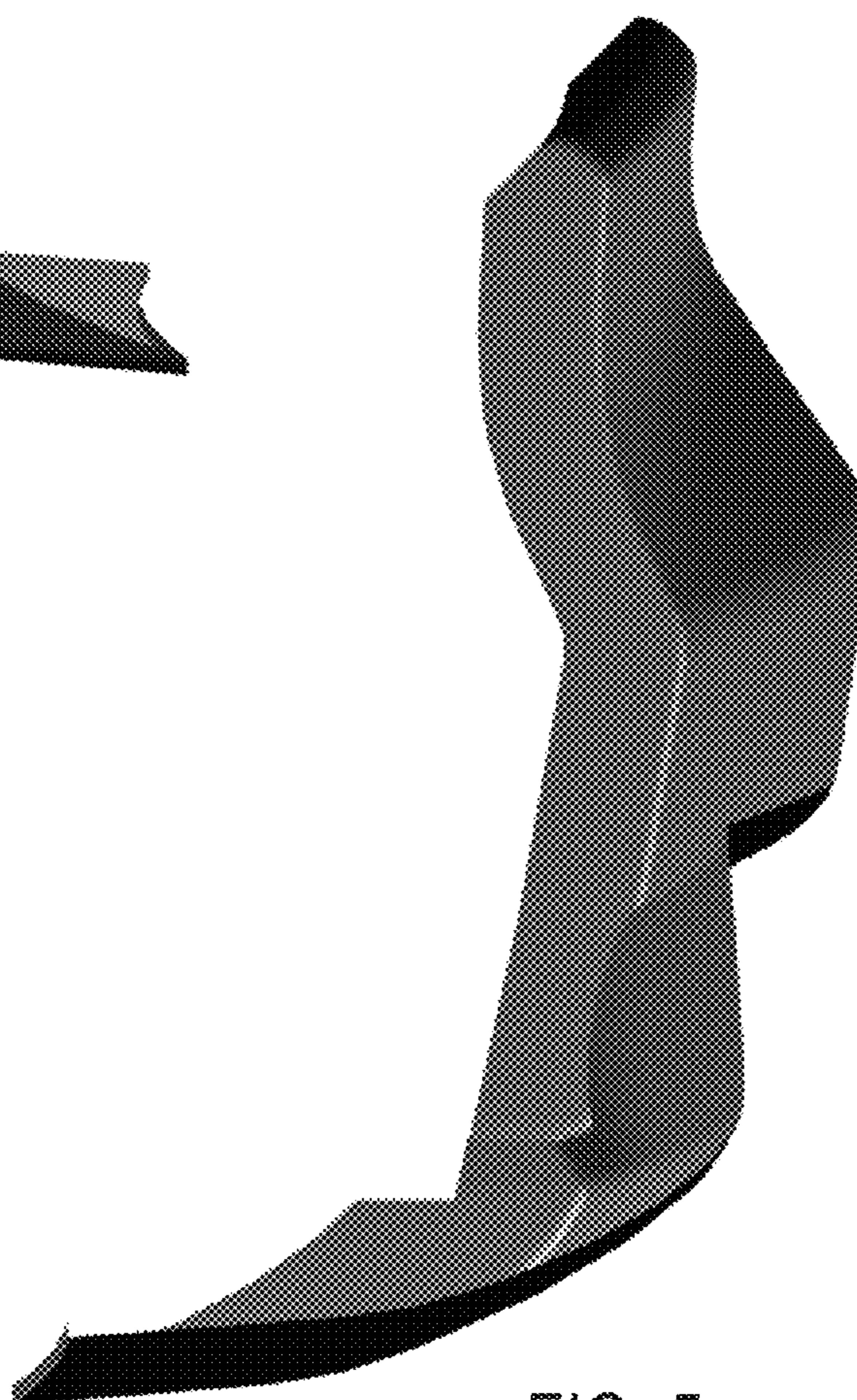


FIG. 5

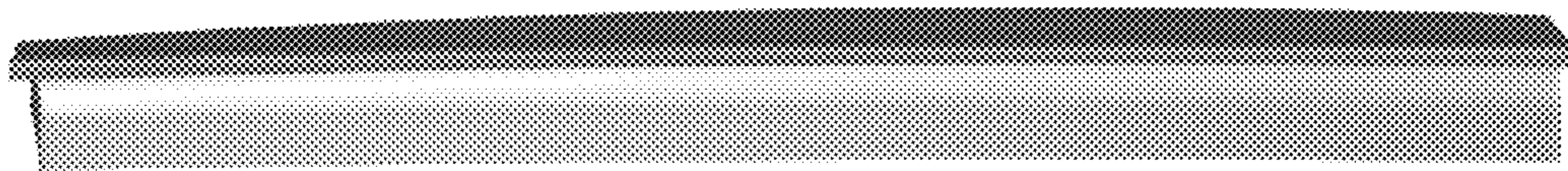


FIG. 6

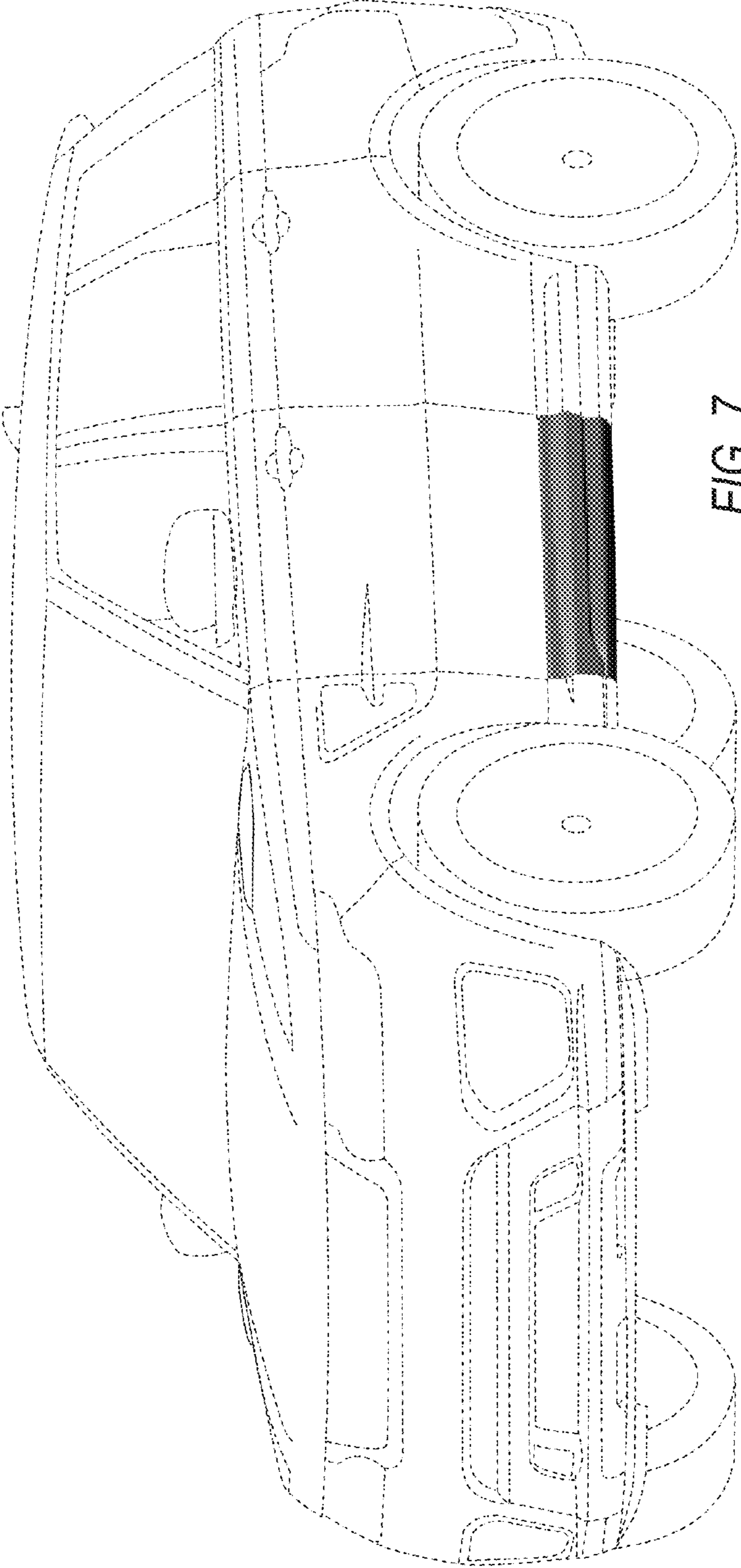


FIG. 7