



US00D748547S

(12) **United States Design Patent**
Battams

(10) **Patent No.:** **US D748,547 S**
(45) **Date of Patent:** **** Feb. 2, 2016**

(54) **VEHICLE COMPONENT**
(71) Applicant: **Jaguar Land Rover Limited**, Coventry (GB)

D566,022 S * 4/2008 Johnson D12/190
D607,392 S * 1/2010 Shymkiw D12/190
D636,712 S * 4/2011 Shymkiw D12/190
D659,059 S * 5/2012 Elmitt D12/190
D717,222 S * 11/2014 Waterman D12/190

(72) Inventor: **Robert Battams**, Coventry (GB)
(73) Assignee: **Jaguar Land Rover Limited** (GB)
(**) Term: **14 Years**

* cited by examiner

(21) Appl. No.: **29/512,584**
(22) Filed: **Dec. 19, 2014**

Primary Examiner — Katrina A Betton
(74) *Attorney, Agent, or Firm* — Fishman Stewart Yamaguchi PLLC

(30) **Foreign Application Priority Data**
Jun. 24, 2014 (EM) 002489187
Jun. 24, 2014 (EM) 002489690
(51) **LOC (10) Cl.** **12-08**
(52) **U.S. Cl.**
USPC **D12/190**
(58) **Field of Classification Search**
USPC D12/190, 106, 181, 191, 196, 400, 88
CPC B60R 19/52
See application file for complete search history.

(57) **CLAIM**
The ornamental design for a vehicle component, as shown and described.

DESCRIPTION

(56) **References Cited**
U.S. PATENT DOCUMENTS
D497,860 S * 11/2004 Hoelzel D12/196
D545,258 S * 6/2007 Teng D12/190

FIG. 1 is a side outboard perspective view of a vehicle component;
FIG. 2 is a side inboard perspective view of a vehicle component;
FIG. 3 is a side outboard view of a vehicle component;
FIG. 4 is a side inboard view of a vehicle component;
FIG. 5 is a front view of a vehicle component;
FIG. 6 is a rear view of a vehicle component;
FIG. 7 is a top view of a vehicle component; and,
FIG. 8 is a front perspective view of a vehicle component in the installed position on a vehicle.
Portions of FIG. 8 shown in halftone are for illustrative purposes only and form to part of the claimed design.
In the drawings, the broken lines in FIG. 8 depict portions of a vehicle that form no part of the claimed design.

1 Claim, 5 Drawing Sheets





FIG. 1

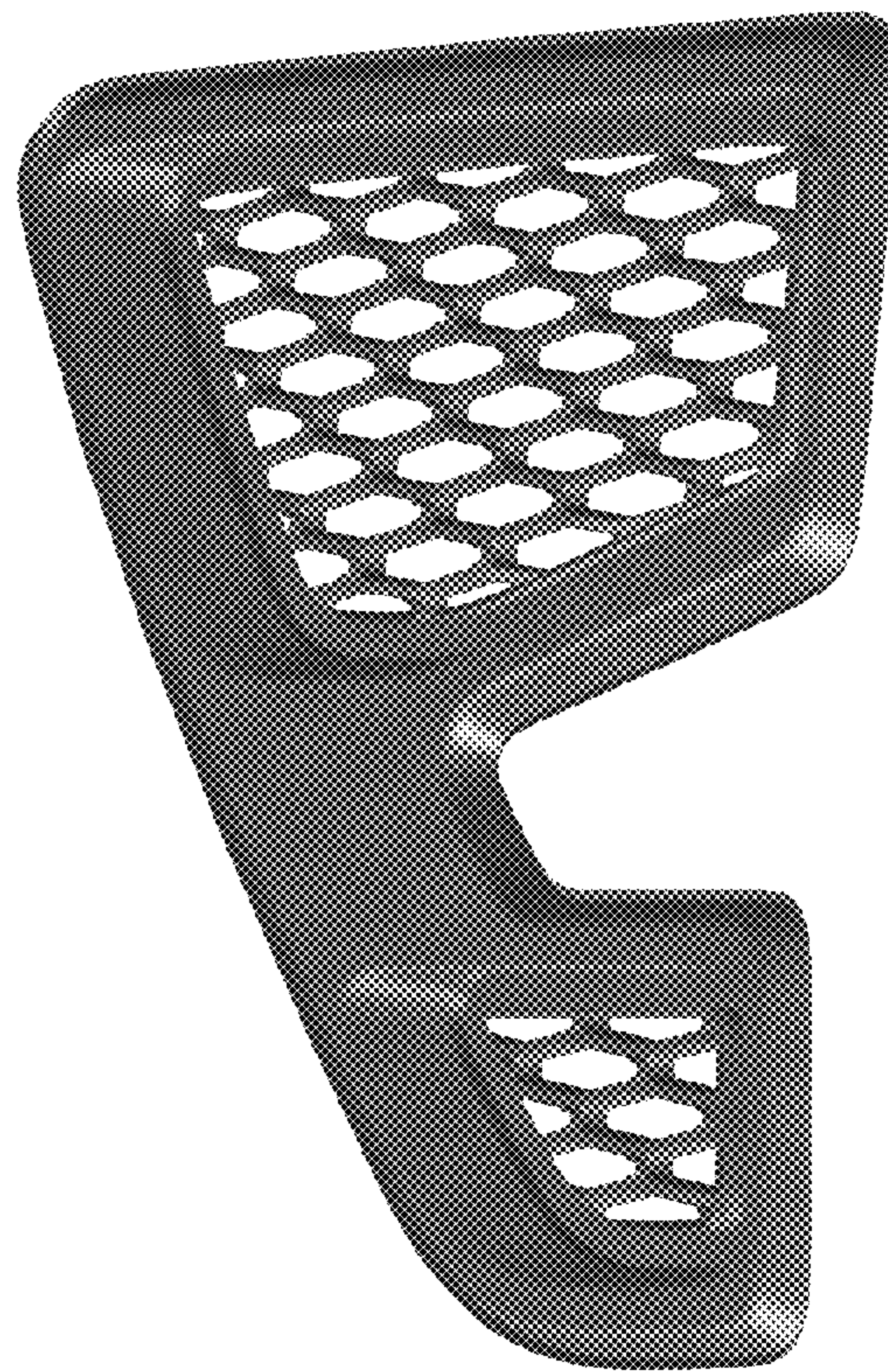


FIG. 2

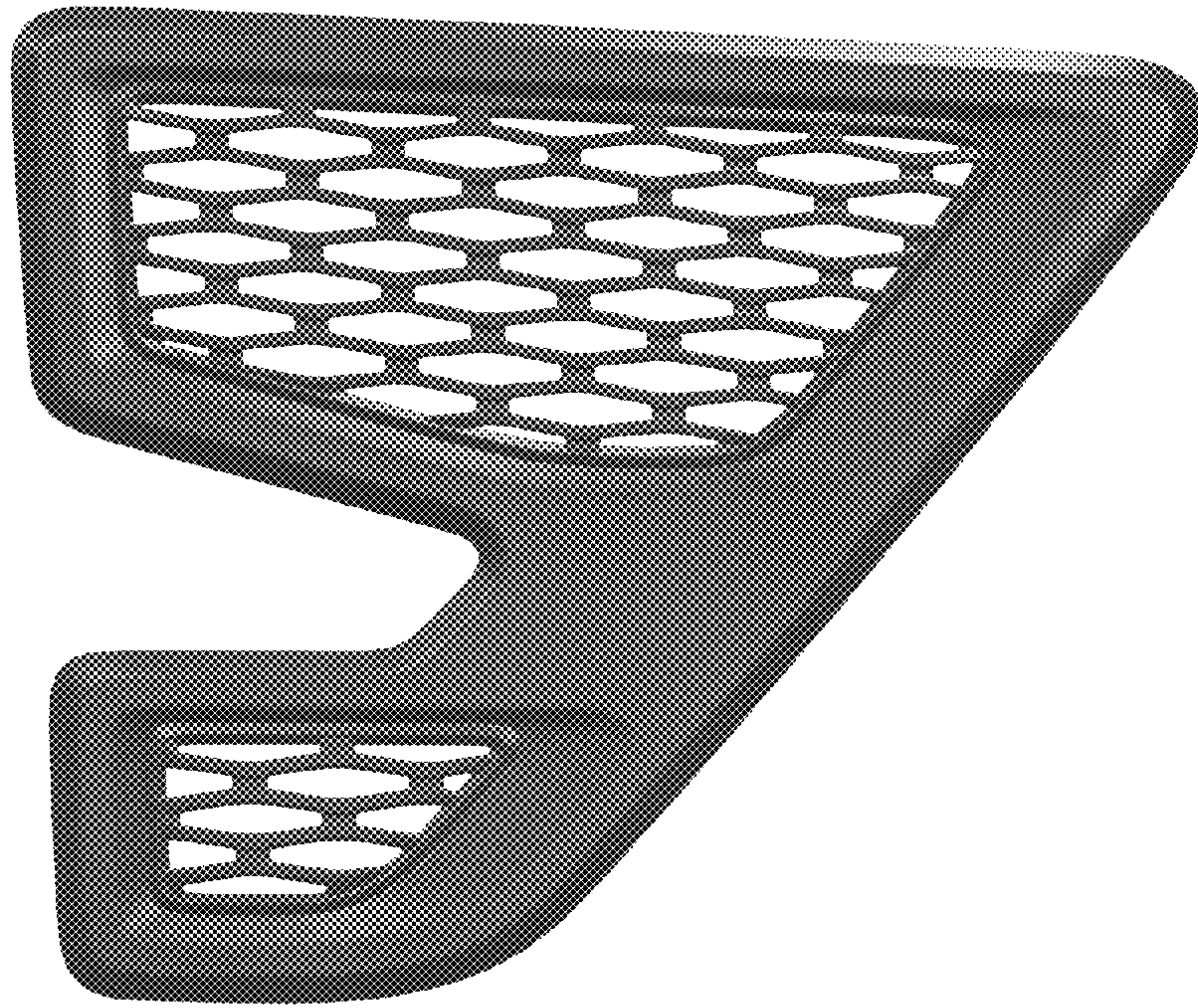


FIG. 3

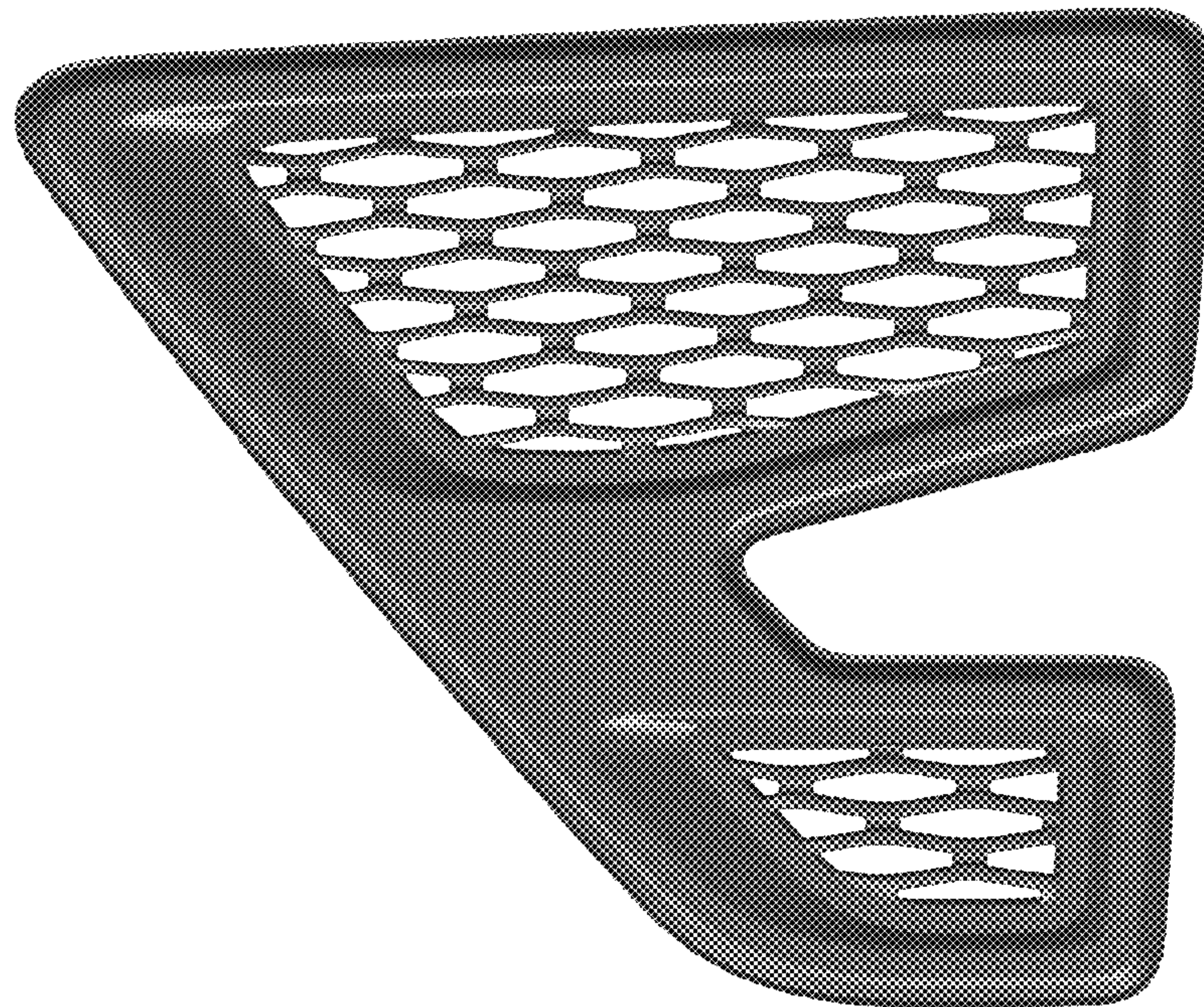


FIG. 4

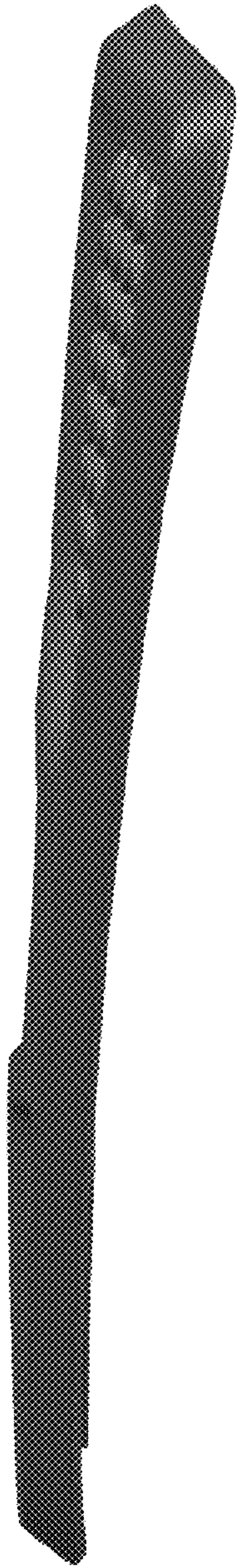


FIG. 5

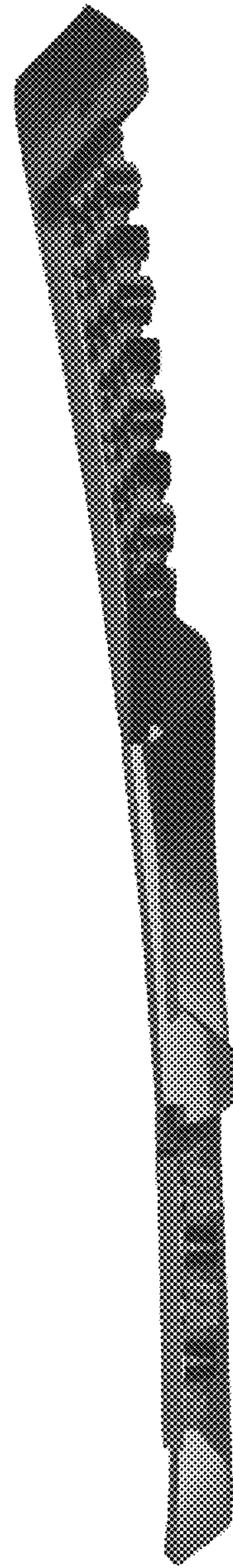


FIG. 6

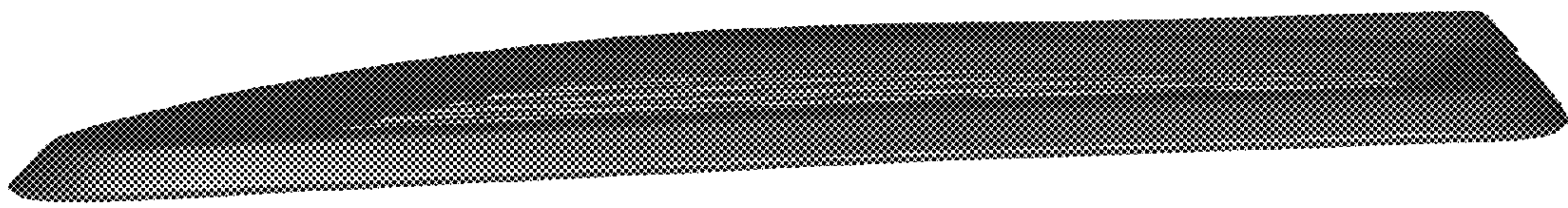


FIG. 7

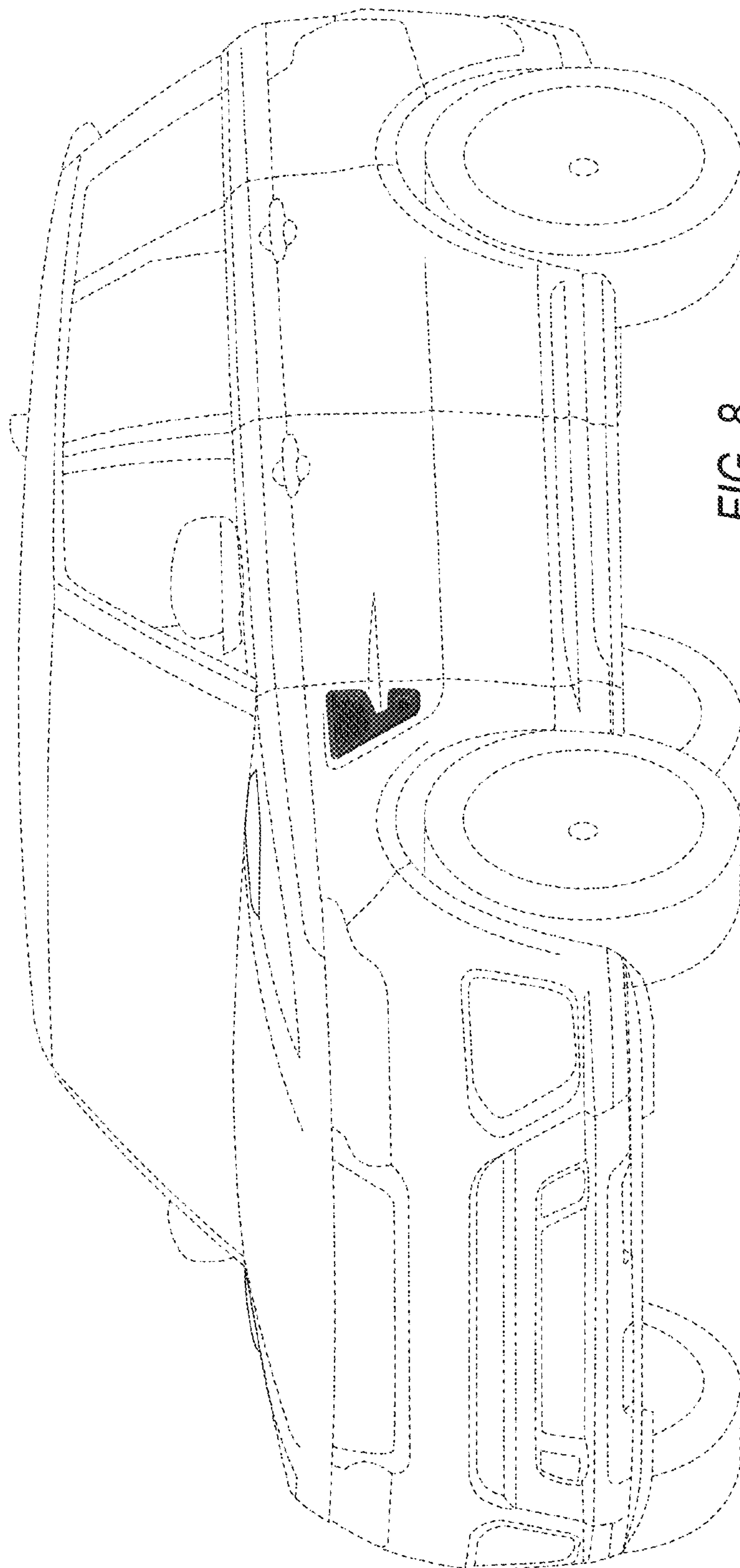


FIG. 8