



US00D748546S

(12) **United States Design Patent**
Whitehead et al.

(10) **Patent No.:** **US D748,546 S**

(45) **Date of Patent:** **** Feb. 2, 2016**

- (54) **EXTRA LARGE TRUCK MIRROR**
- (71) Applicant: **Velvac, Incorporated**, New Berlin, WI (US)
- (72) Inventors: **Peter John Whitehead**, Grafton, WI (US); **James A. Wollmer**, Menomonee Falls, WI (US); **Greg David Volovsek**, West Allis, WI (US)
- (73) Assignee: **VELVAC, INCORPORATED**, New Berlin, WI (US)
- (**) Term: **14 Years**
- (21) Appl. No.: **29/482,546**
- (22) Filed: **Feb. 19, 2014**
- (51) **LOC (10) Cl.** **12-16**
- (52) **U.S. Cl.**
USPC **D12/187**
- (58) **Field of Classification Search**
USPC D12/187, 188-189; D6/300, 309
CPC B60R 1/076; G02B 7/18; G02B 5/08
See application file for complete search history.

- D731,378 S * 6/2015 Roberts D12/187
- D731,379 S * 6/2015 Behmer D12/187
- 2005/0259340 A1 11/2005 Fimeri et al.
- 2006/0103957 A1 5/2006 Olijnyk et al.

OTHER PUBLICATIONS

Mirror shown by the enclosed drawings, 6 pages, displayed at an RVIA show in Nov. 2006.

* cited by examiner

Primary Examiner — Katrina A Betton

(74) *Attorney, Agent, or Firm* — Schiff Hardin LLP

(57) **CLAIM**

The ornamental design of an extra large truck mirror, as shown and described.

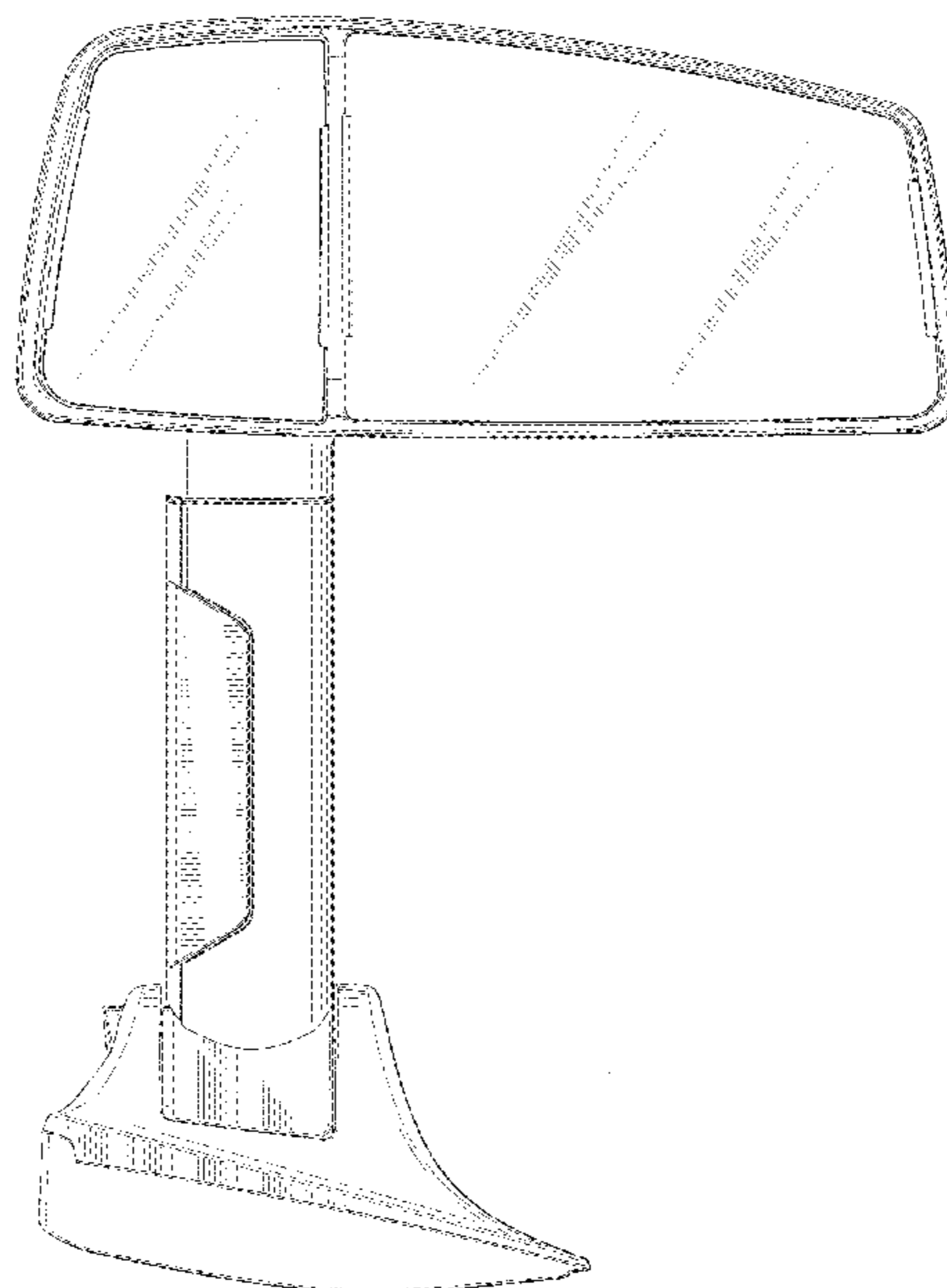
DESCRIPTION

FIG. 1 is a perspective view taken from the front, top, right side of the extra large truck mirror showing our new design; FIG. 2 is a front elevational view thereof; FIG. 3 is a back elevational view thereof; FIG. 4 is a right side elevational view thereof; FIG. 5 is a left side elevational view thereof; FIG. 6 is a top plan view thereof; FIG. 7 is a bottom plan view thereof; FIG. 8 is a perspective view taken from the back, top right side of the extra large truck mirror of FIG. 1; and, FIG. 9 is a perspective view of a second embodiment of the extra large truck mirror taken from the front, top, left side, the second embodiment being substantially a mirror image of the first embodiment, further views of the second embodiment not being shown as the further views are mirror images of the corresponding views of FIGS. 1 through 8. Portions shown in broken lines are for illustrative purposes only and form no part of the claimed design.

1 Claim, 7 Drawing Sheets

(56) **References Cited**
U.S. PATENT DOCUMENTS

- 6,582,087 B2 6/2003 Whitehead et al.
- D489,658 S 5/2004 Metros et al.
- 7,216,993 B2 5/2007 Murray
- D718,197 S * 11/2014 Chen D12/187
- D720,669 S * 1/2015 Hammoud D12/187
- D724,510 S * 3/2015 McMahan D12/187
- D725,014 S * 3/2015 Duff D12/187
- D731,374 S * 6/2015 Roberts D12/187
- D731,375 S * 6/2015 Roberts D12/187
- D731,377 S * 6/2015 Roberts D12/187



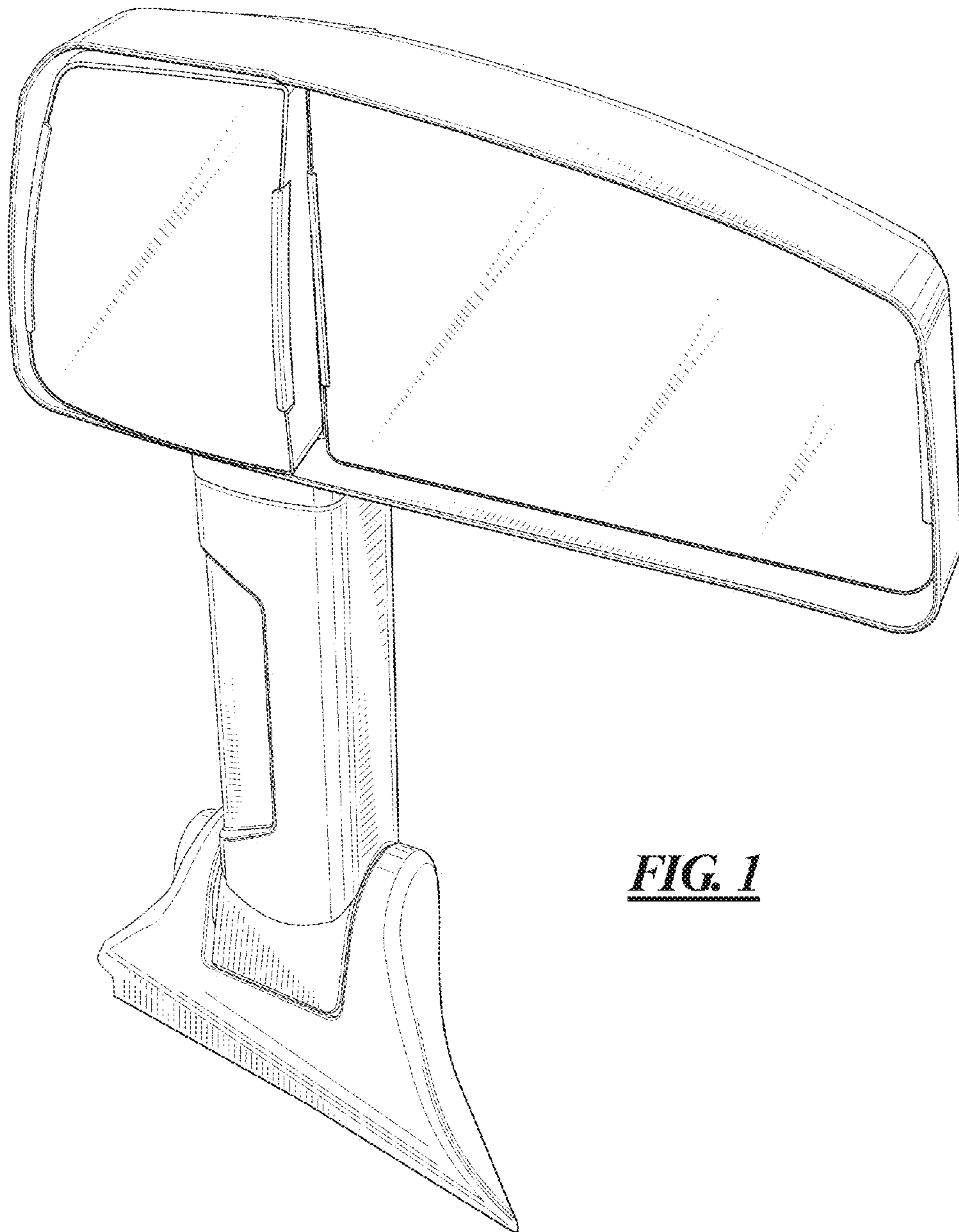


FIG. 1

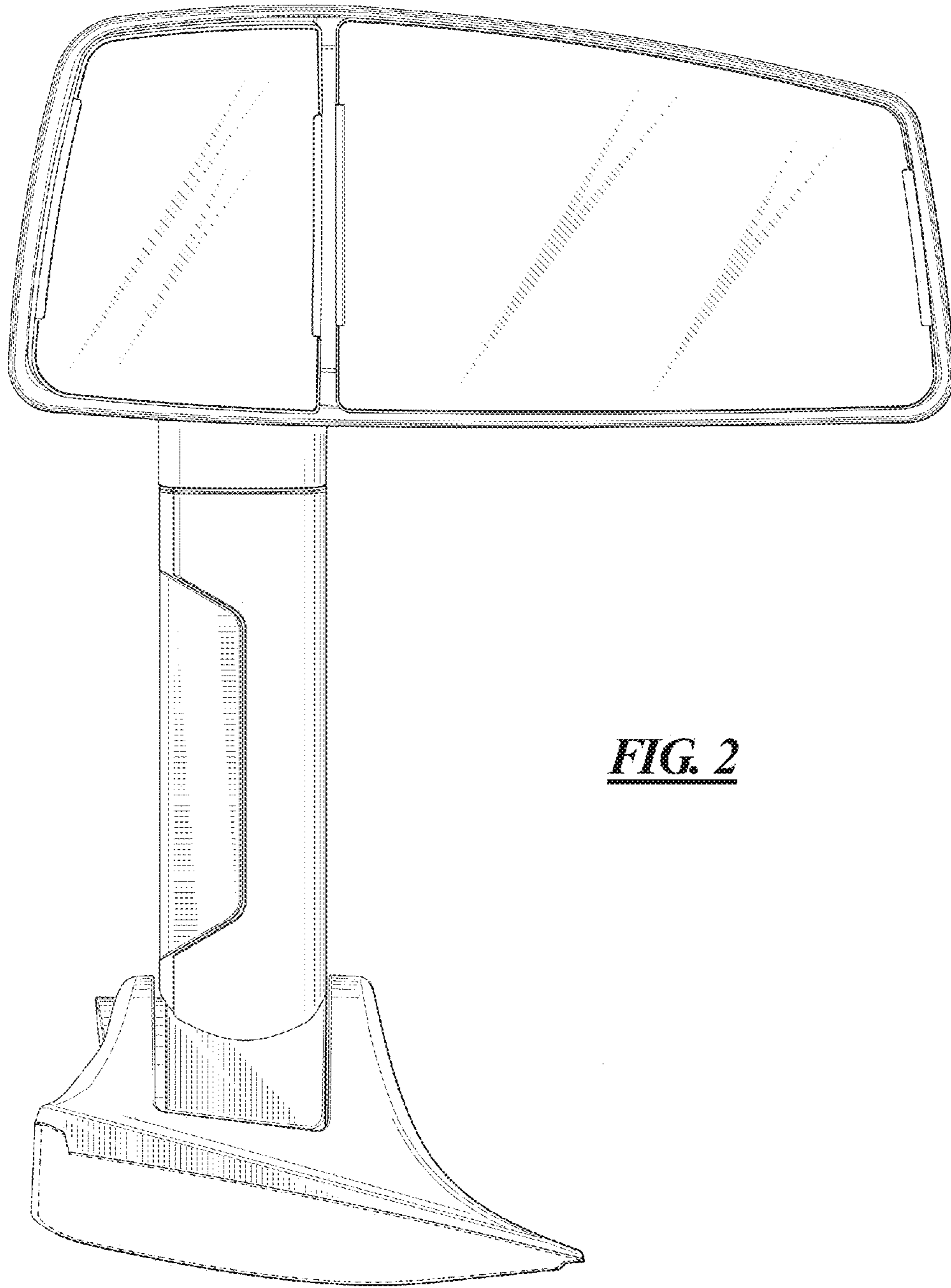


FIG. 2

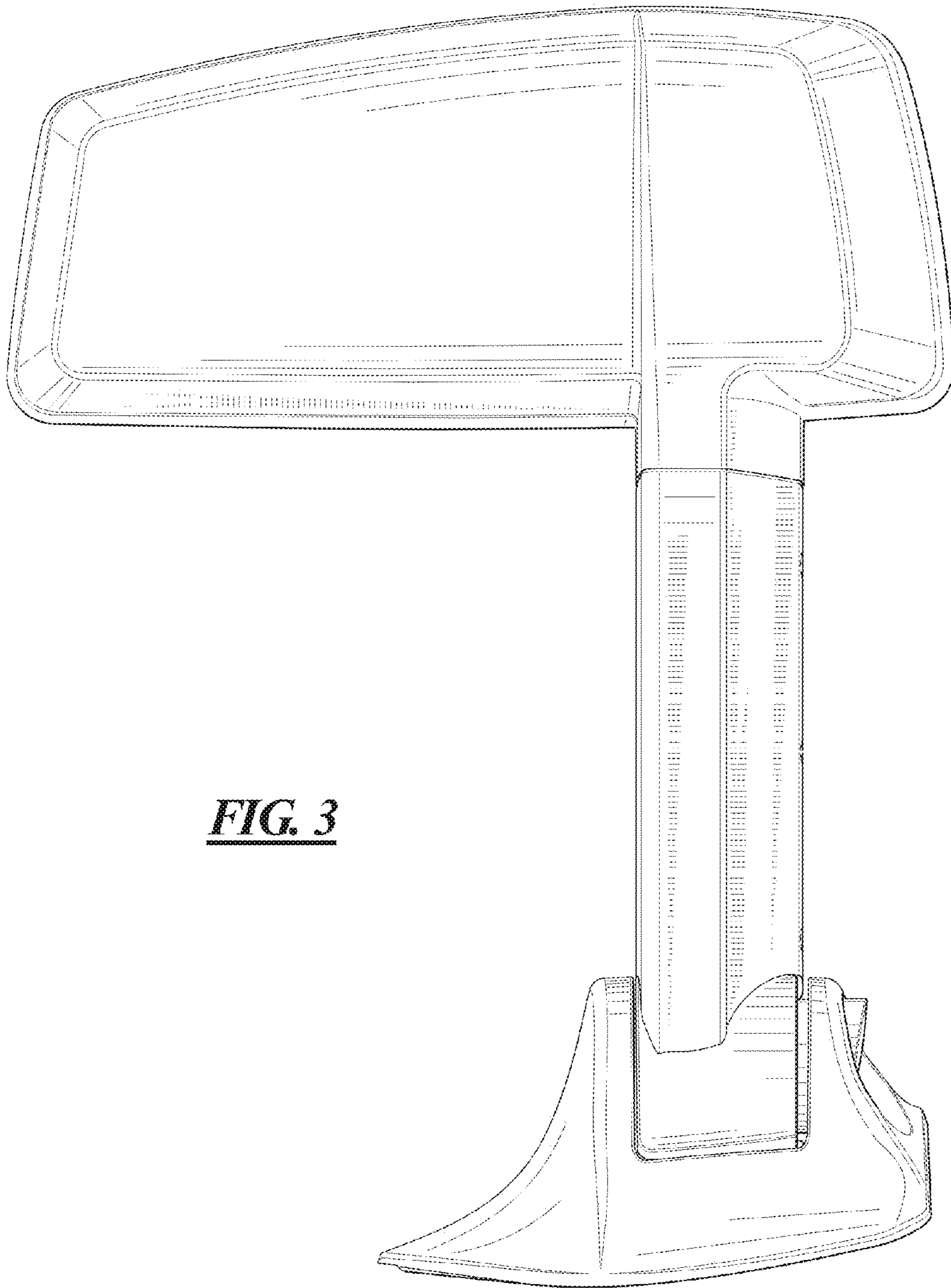


FIG. 3

FIG. 4

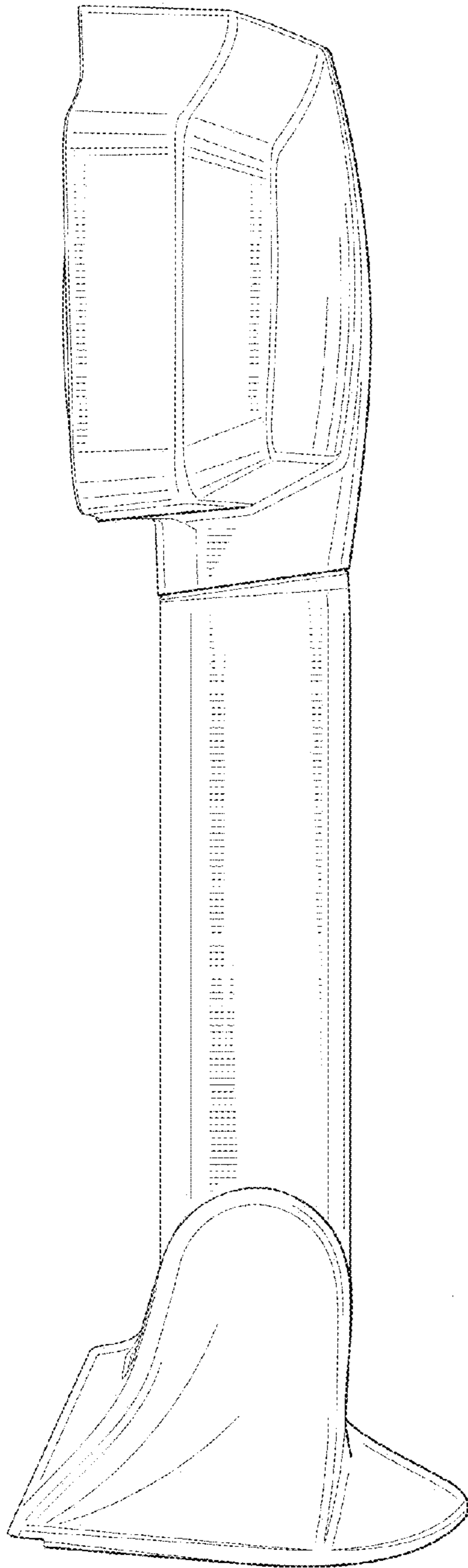


FIG. 5

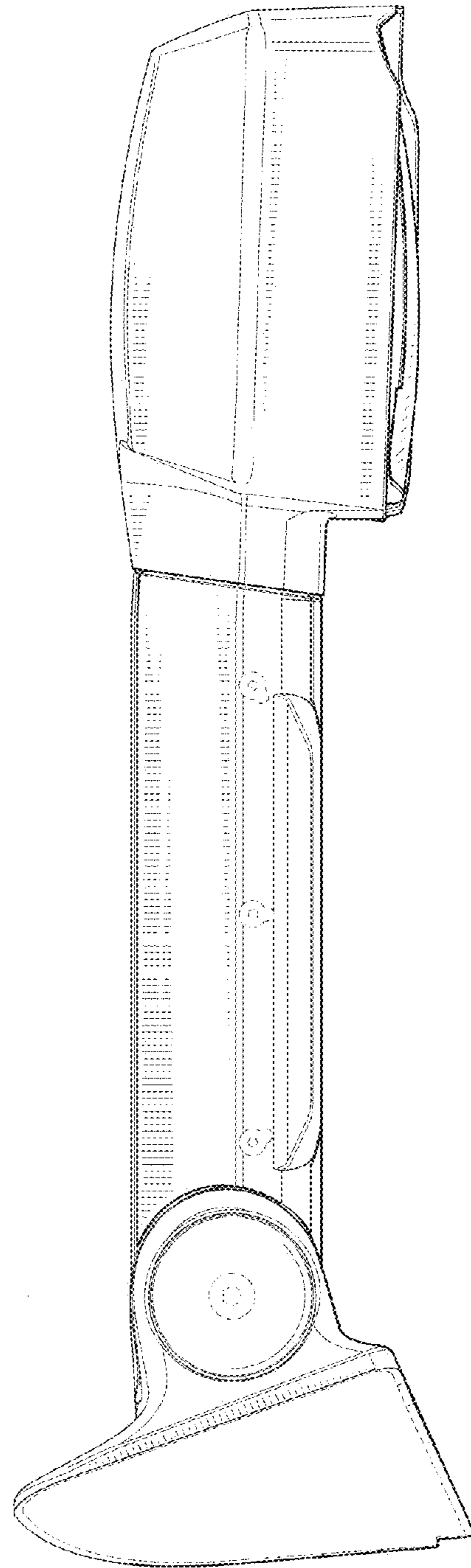


FIG. 6

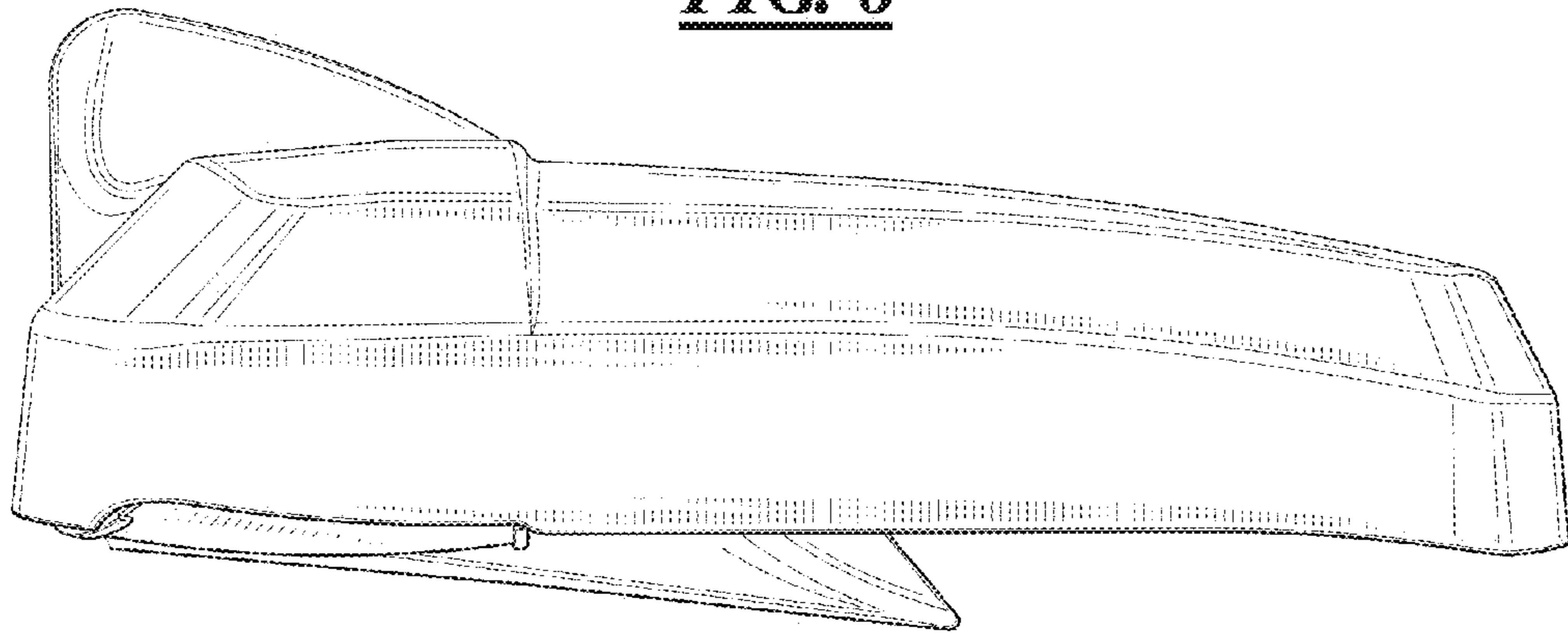
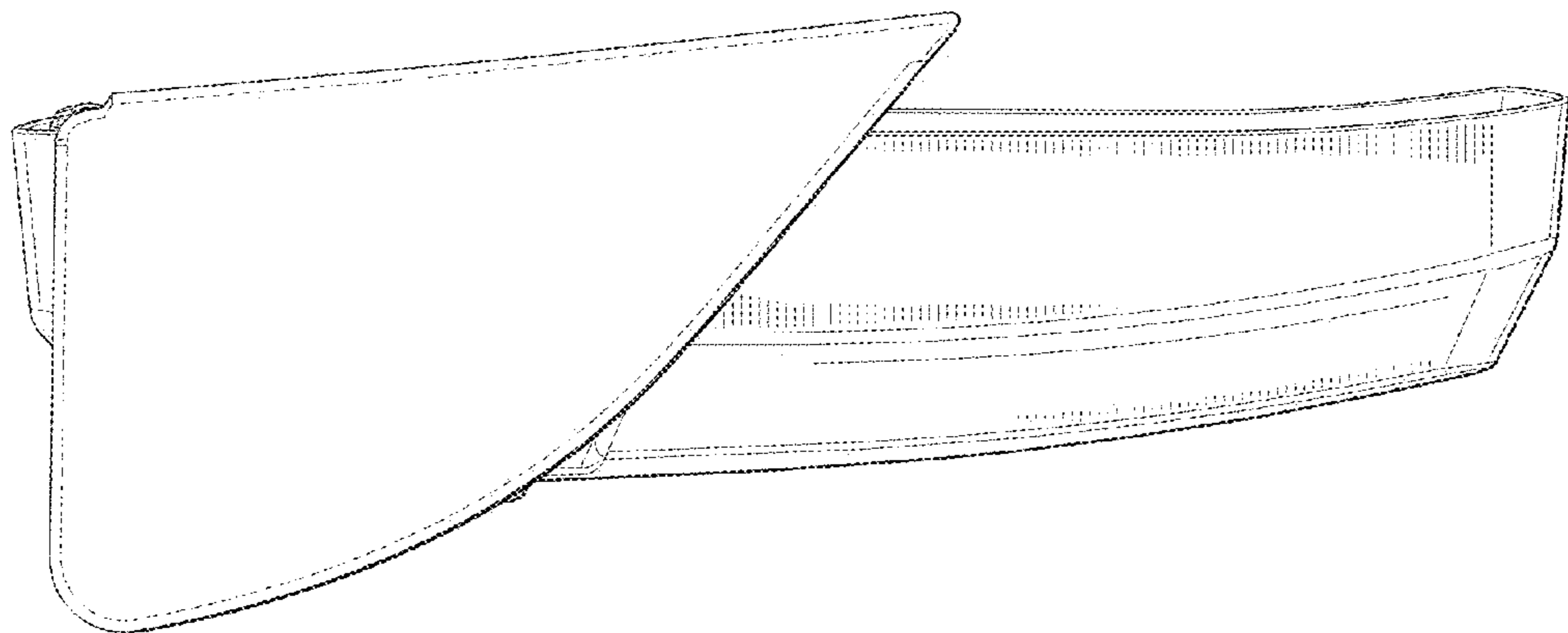


FIG. 7



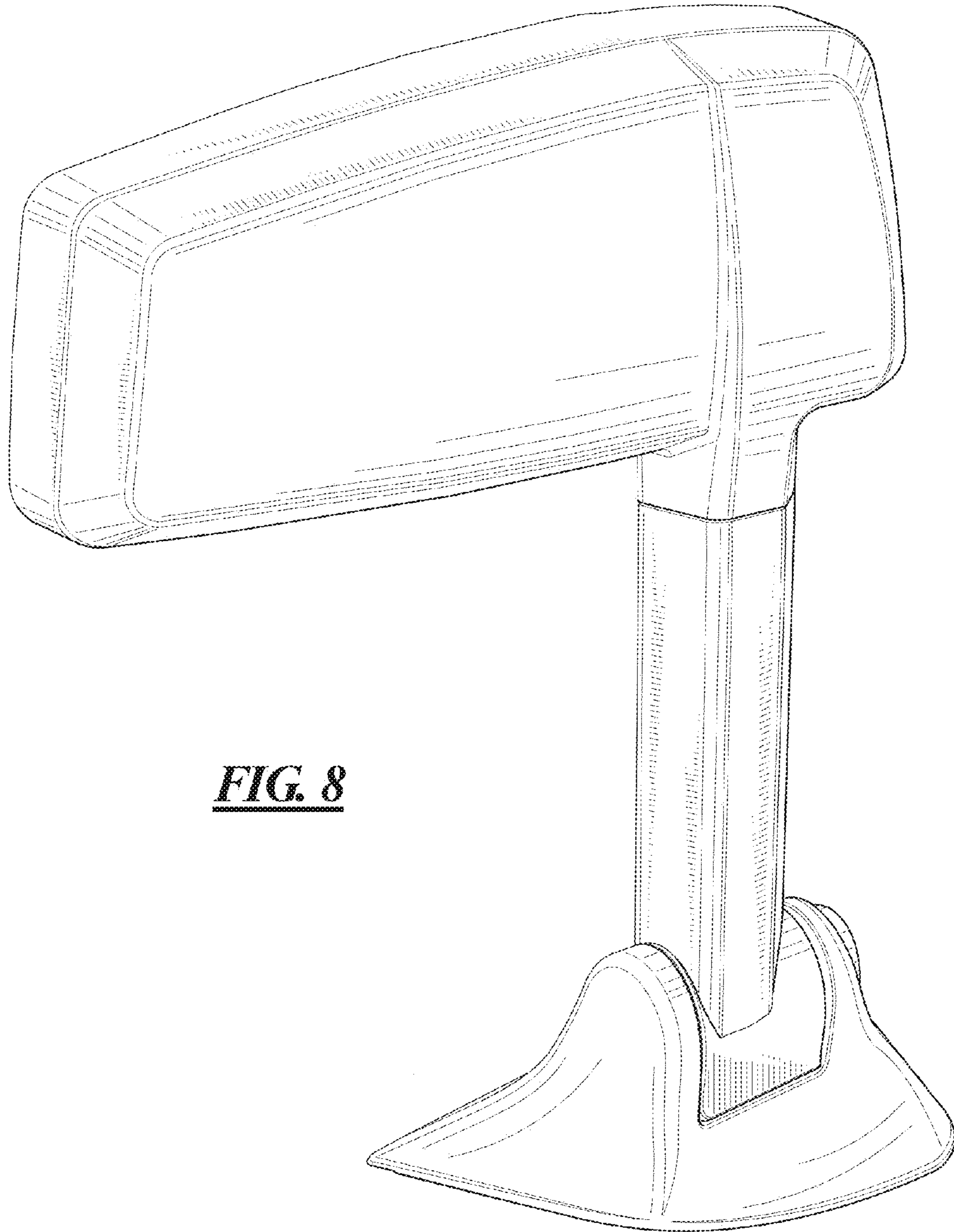


FIG. 8

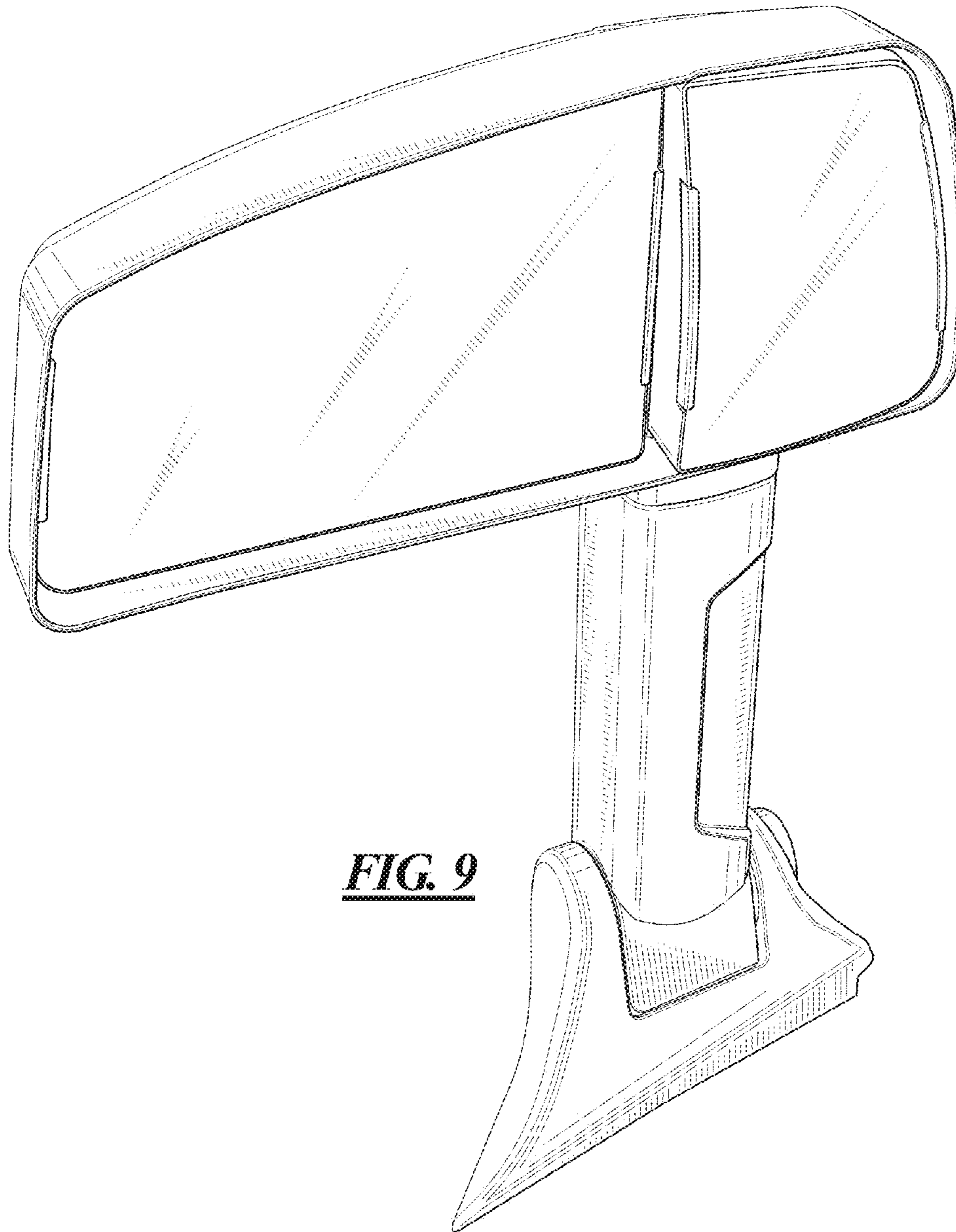


FIG. 9