



US00D748544S

(12) **United States Design Patent**
Nissl

(10) **Patent No.:** **US D748,544 S**
(45) **Date of Patent:** **** Feb. 2, 2016**

(54) **REAR BUMPER FOR A VEHICLE**
(71) Applicant: **Bayerische Motoren Werke Aktiengesellschaft, Munich (DE)**
(72) Inventor: **Florian Dieter Nissl, Munich (DE)**
(73) Assignee: **Bayerische Motoren Werke Aktiengesellschaft, Munich (DE)**

D701,805 S * 4/2014 Campbell et al. D12/169
D705,139 S * 5/2014 Jevremovic et al. D12/169
D721,993 S * 2/2015 Nordmann D12/169

(**) Term: **14 Years**
(21) Appl. No.: **29/512,112**
(22) Filed: **Dec. 17, 2014**

FOREIGN PATENT DOCUMENTS

WO DM/065120 4/2004
WO DM/067152 12/2005

* cited by examiner

Primary Examiner — Melody N Brown

(74) *Attorney, Agent, or Firm* — Crowell & Moring LLP

(30) **Foreign Application Priority Data**

Jun. 18, 2014 (DE) 40 2014 100 517

(51) **LOC (10) Cl.** **12-16**

(52) **U.S. Cl.**
USPC **D12/169**

(58) **Field of Classification Search**
USPC D12/169, 216, 90–92, 86, 171, 196,
D12/163; 293/102, 113, 115, 117, 120;
296/180.1, 180.2

CPC . B60R 19/52; B60R 2019/25; B62D 25/0845

See application file for complete search history.

(56) **References Cited**

U.S. PATENT DOCUMENTS

D546,250 S 7/2007 Hettler
D678,147 S * 3/2013 Behmer et al. D12/169
D678,826 S * 3/2013 Akamine et al. D12/169
D685,302 S * 7/2013 Futschik et al. D12/169
D688,993 S * 9/2013 Campbell et al. D12/92
D688,994 S * 9/2013 Campbell et al. D12/169

(57) **CLAIM**

The ornamental design for a rear bumper for a vehicle, as shown and described.

DESCRIPTION

This application contains subject matter related to the following U.S. design patent applications:

Application Ser. No. 29/512,110, filed herewith and entitled “vehicle, toy, and/or replicas thereof”;

Application Ser. No. 29/512,113, filed herewith and entitled “vehicle, toy, and/or replicas thereof”; and,

Application Ser. No. 29/512,114, filed herewith and entitled “rear bumper for a vehicle”.

FIG. 1 is a front view of a rear bumper for a vehicle according to the design;

FIG. 2 is a left, front perspective view thereof;

FIG. 3 is a right, front perspective view thereof;

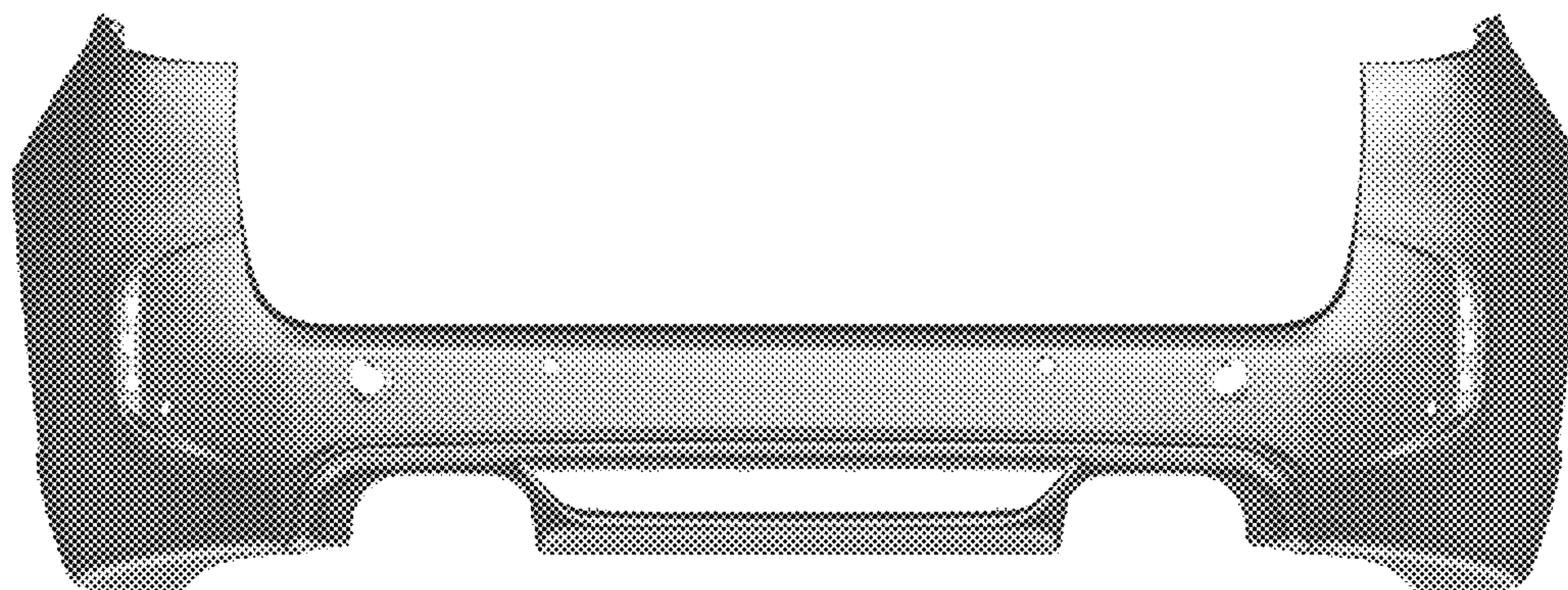
FIG. 4 is a left side view thereof, the right side view being mirror symmetrical;

FIG. 5 is a top view thereof;

FIG. 6 is a bottom view thereof; and,

FIG. 7 is a rear view thereof.

1 Claim, 7 Drawing Sheets



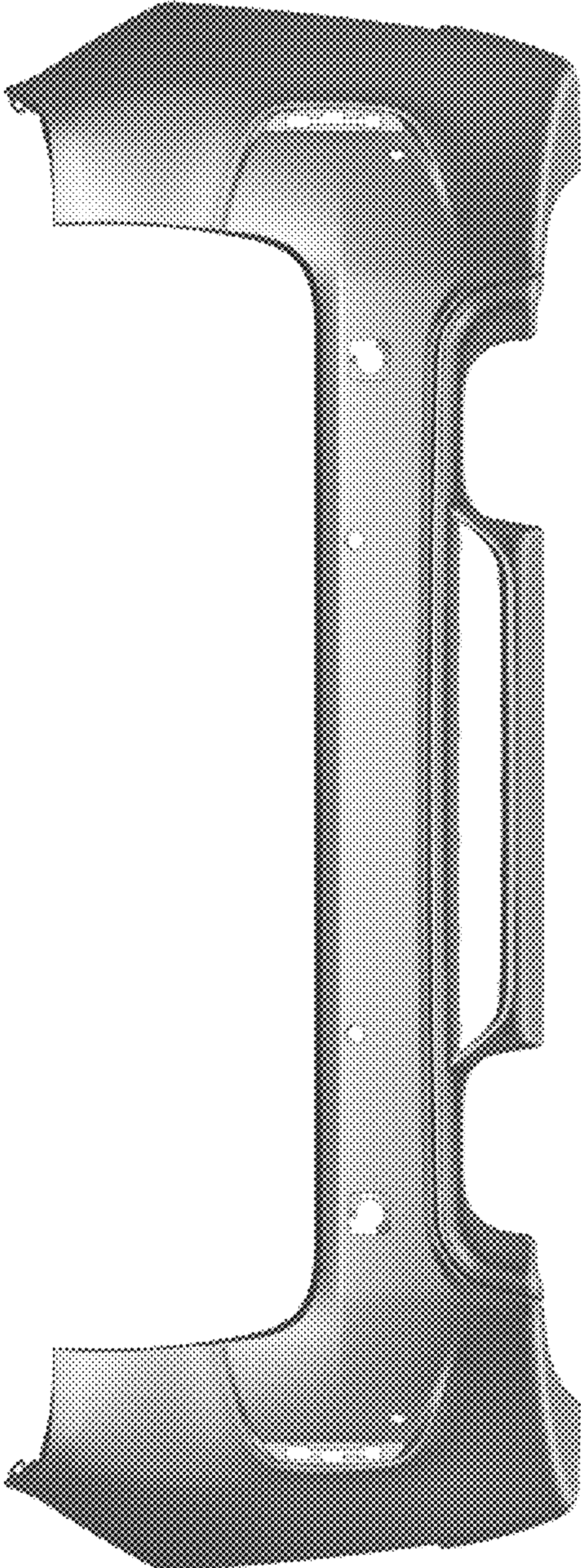


Fig. 1

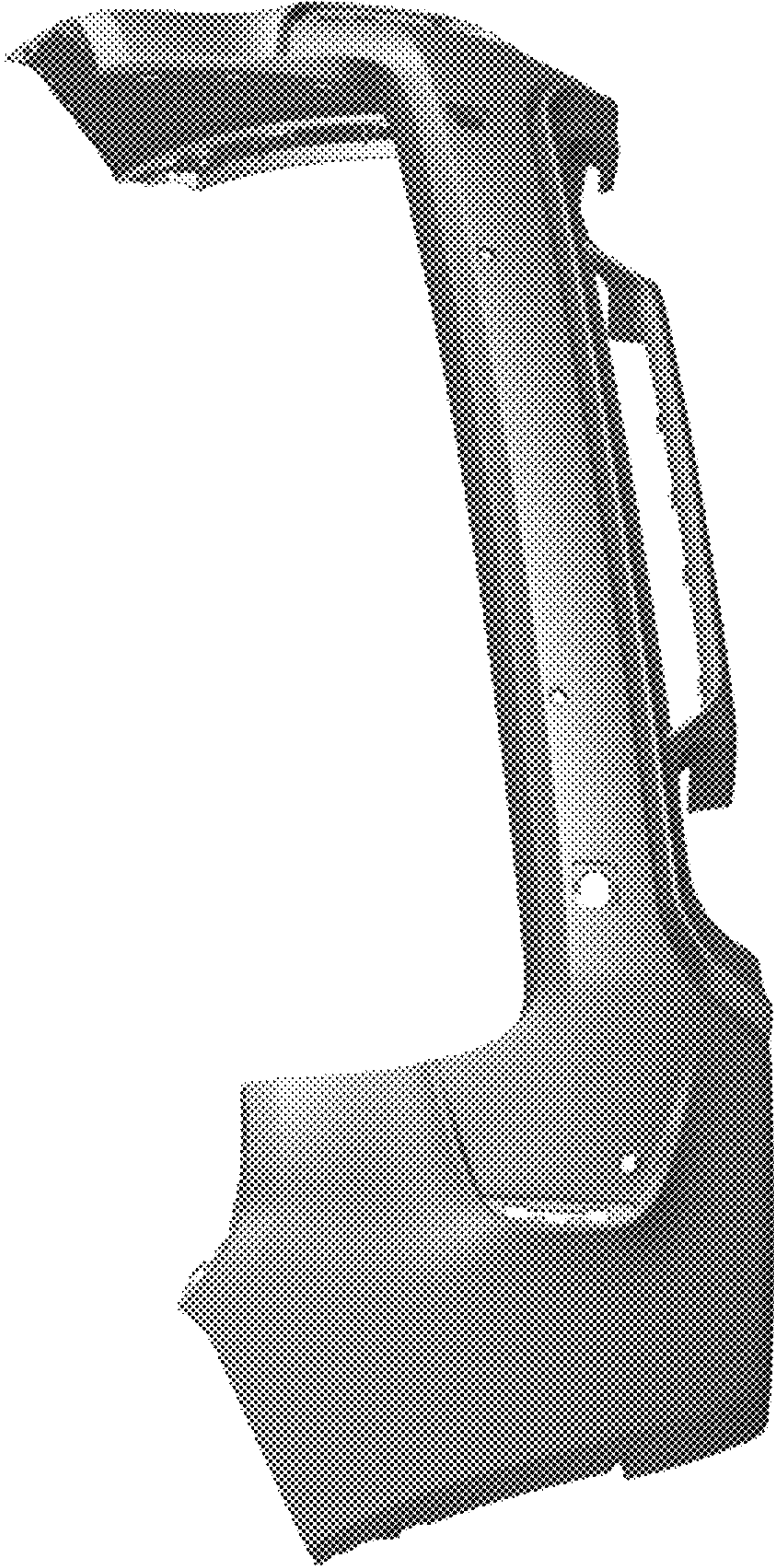


Fig. 2

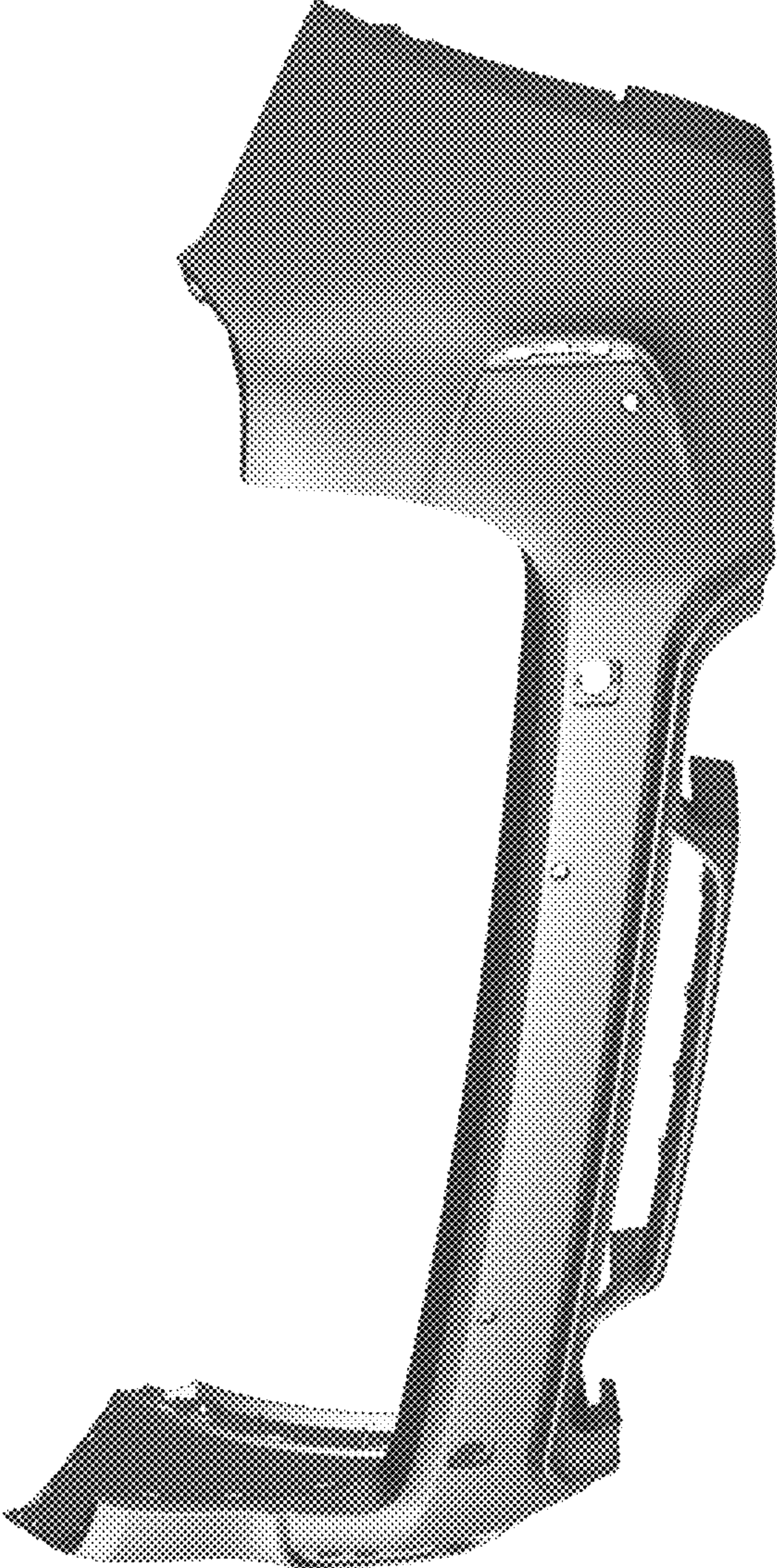


Fig. 3

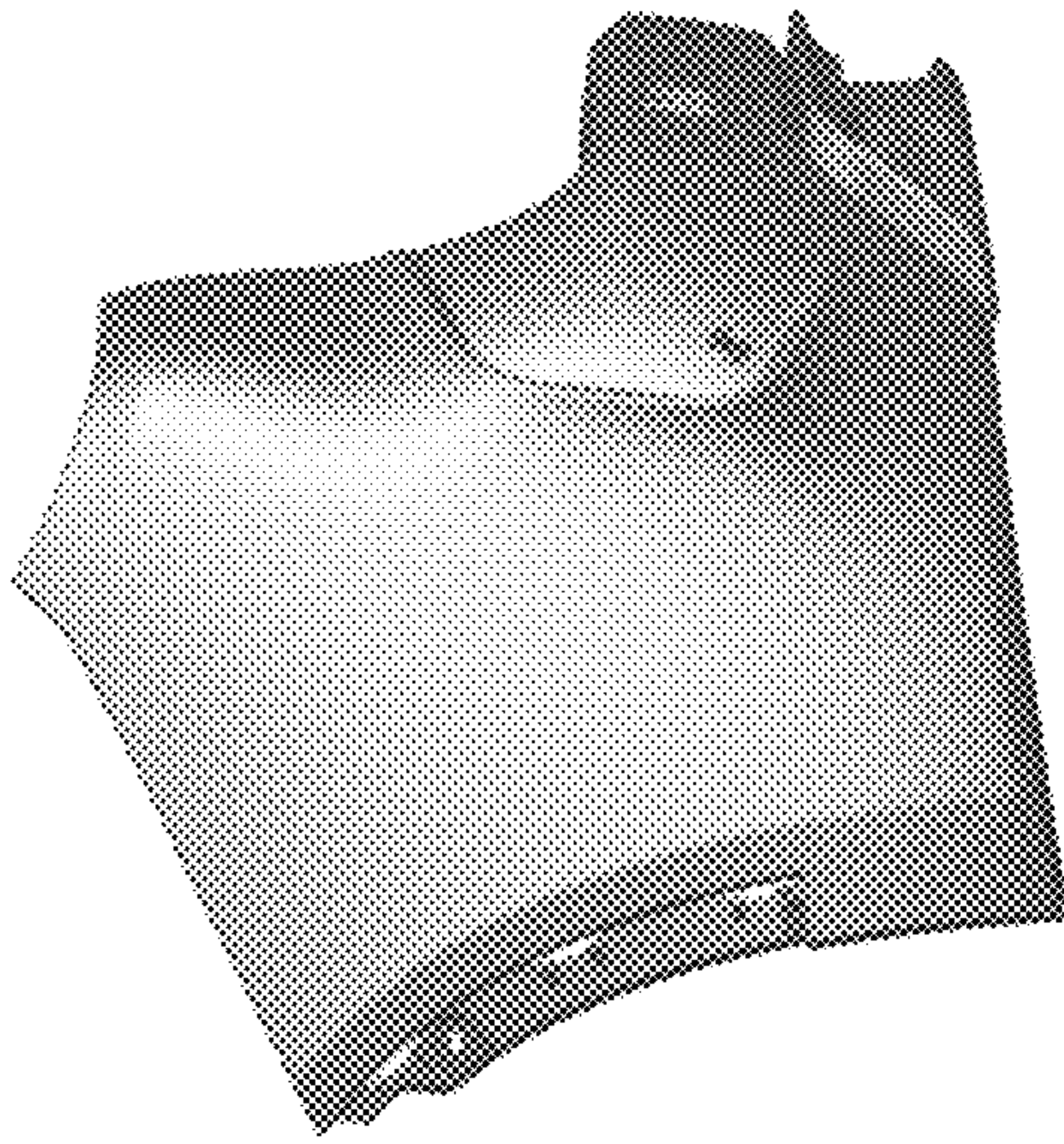


Fig. 4

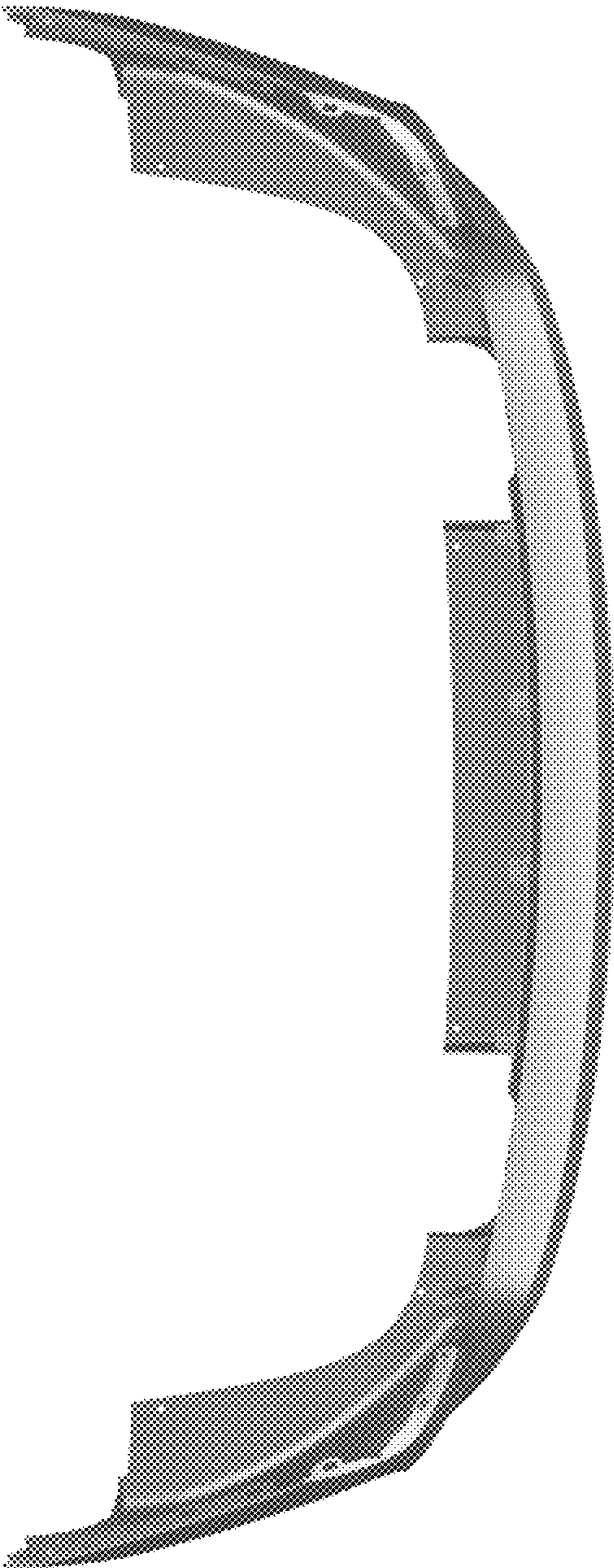


Fig. 5

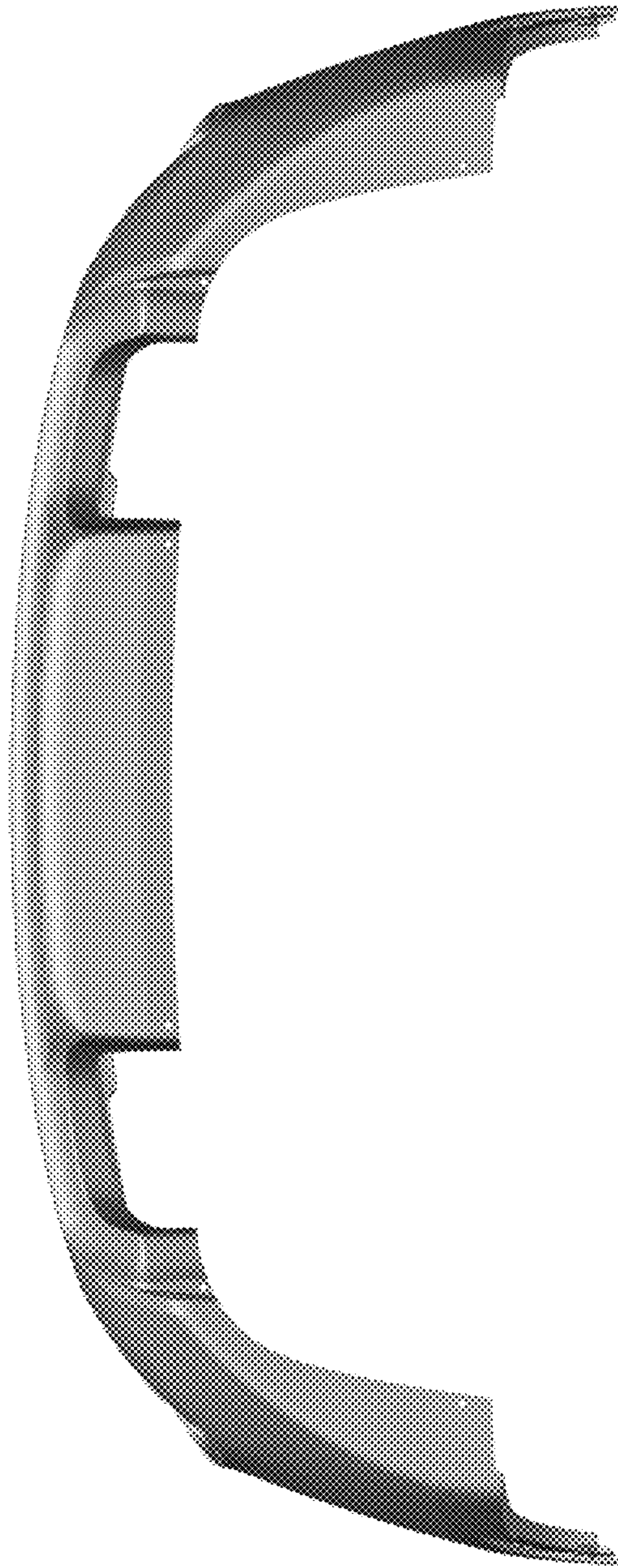


Fig. 6

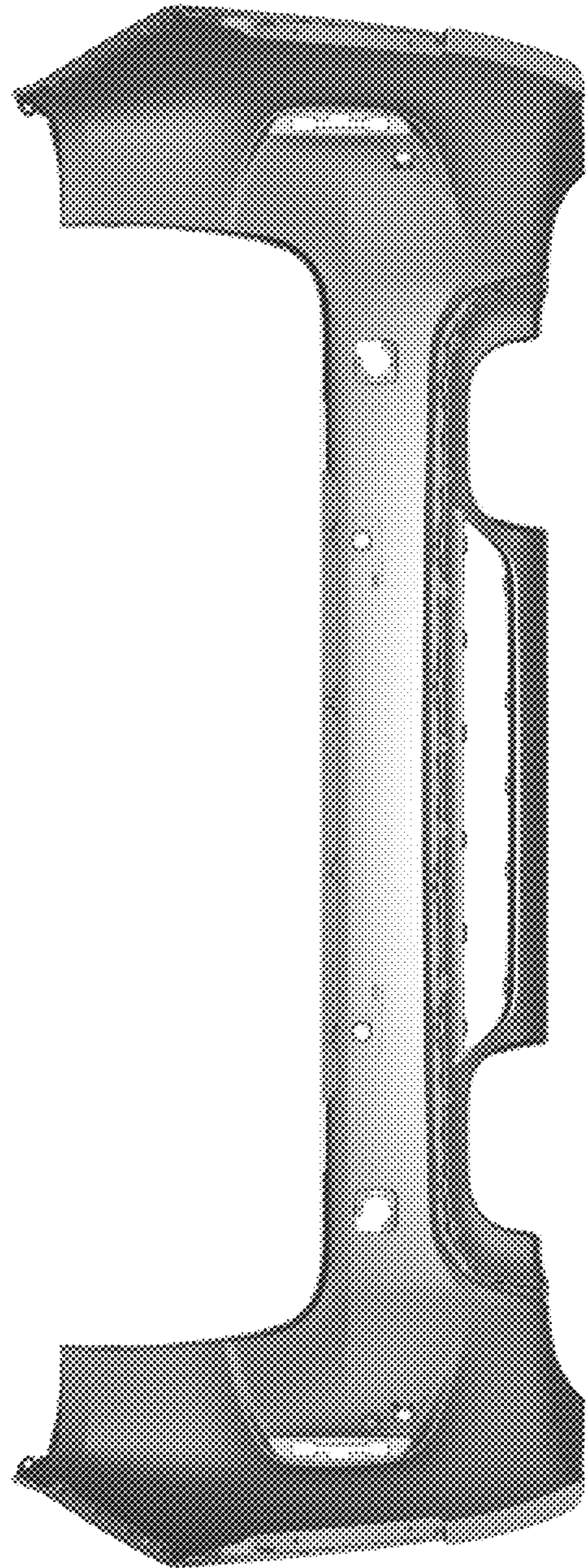


Fig. 7